

US00D660611S

(12) **United States Design Patent**
Barile

(10) **Patent No.:** **US D660,611 S**

(45) **Date of Patent:** **** *May 29, 2012**

(54) **CHAIR**

(75) Inventor: **Peter W. Barile**, Morristown, TN (US)

(73) Assignee: **Daniel Paul Chairs, LLC**, Morristown, TN (US)

(*) Notice: This patent is subject to a terminal disclaimer.

(**) Term: **14 Years**

(21) Appl. No.: **29/365,744**

(22) Filed: **Jul. 14, 2010**

Related U.S. Application Data

(63) Continuation-in-part of application No. 29/361,490, filed on May 12, 2010.

(51) **LOC (9) Cl.** **06-01**

(52) **U.S. Cl.** **D6/374; D6/380**

(58) **Field of Classification Search** D6/334-336, D6/360, 370, 371, 372, 373, 374, 375, 379, D6/380, 500-502; 297/445.1, 446.1, 449.1, 297/451.12, 452.21, 452.63

See application file for complete search history.

(56) **References Cited**

U.S. PATENT DOCUMENTS

D102,695 S *	1/1937	McLellan	D6/370
D106,440 S *	10/1937	Jackson	D6/374
D357,594 S *	4/1995	Kellen	D6/374
D409,848 S *	5/1999	Staubach et al.	D6/334
D458,467 S *	6/2002	Starck	D6/374
D528,813 S	9/2006	Sienkowski et al.		

* cited by examiner

Primary Examiner — Mimoso De

(74) *Attorney, Agent, or Firm* — Pitts & Lake, P.C.

(57) **CLAIM**

I claim the ornamental design for a chair, as shown and described.

DESCRIPTION

FIG. 1 is a perspective view of the design of the present invention for a chair;

FIG. 2 is a front elevation view of the chair of FIG. 1;

FIG. 3 is a rear elevation view of the chair of FIG. 1;

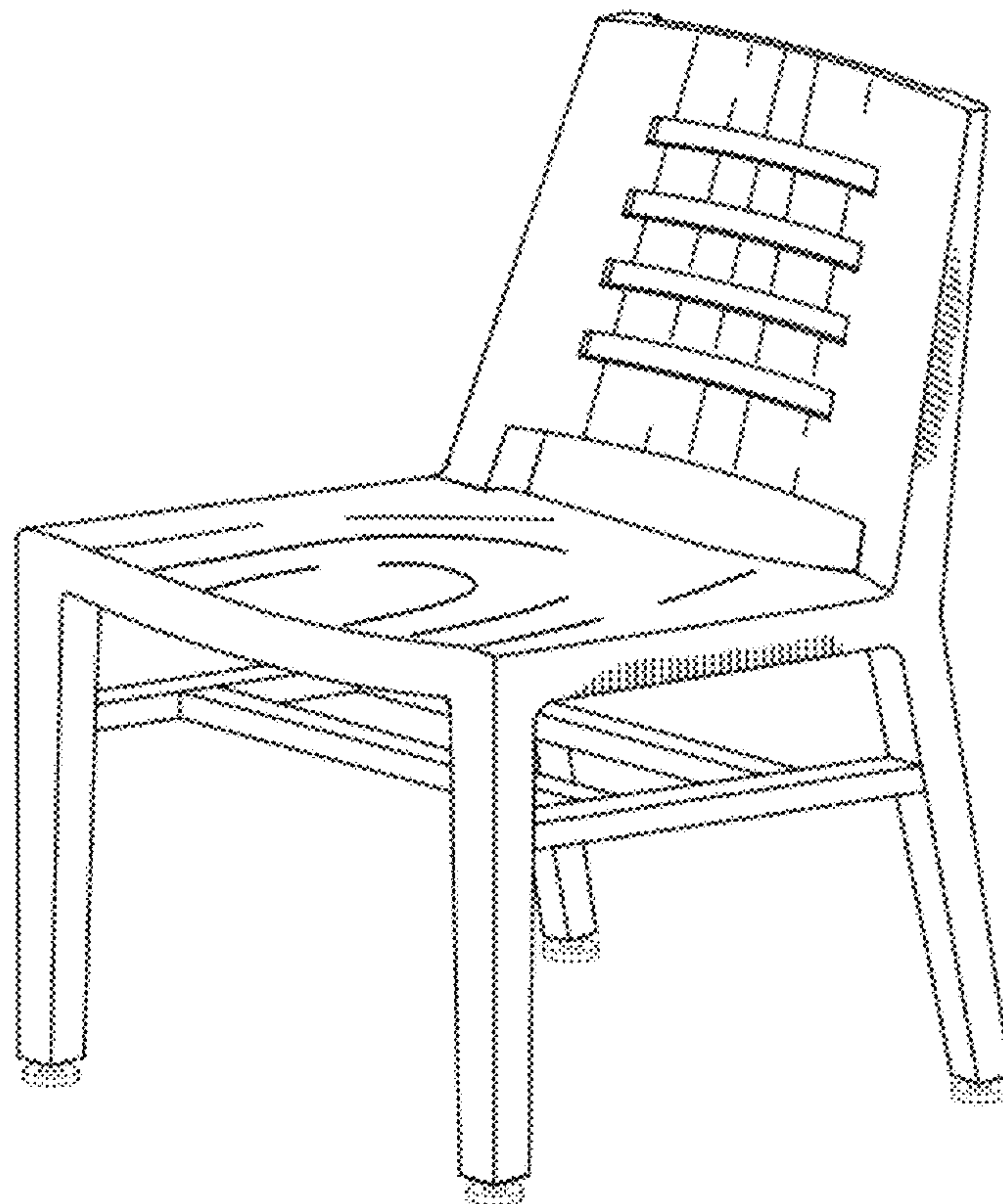
FIG. 4 is a right side elevation view of the chair of FIG. 1, the left side being a mirror image;

FIG. 5 is a top end view of the chair of FIG. 1; and,

FIG. 6 is a bottom end view of the chair of FIG. 1.

The broken lines showing of the foot rests are for illustrative purposes only and form no part of the claimed design.

1 Claim, 4 Drawing Sheets



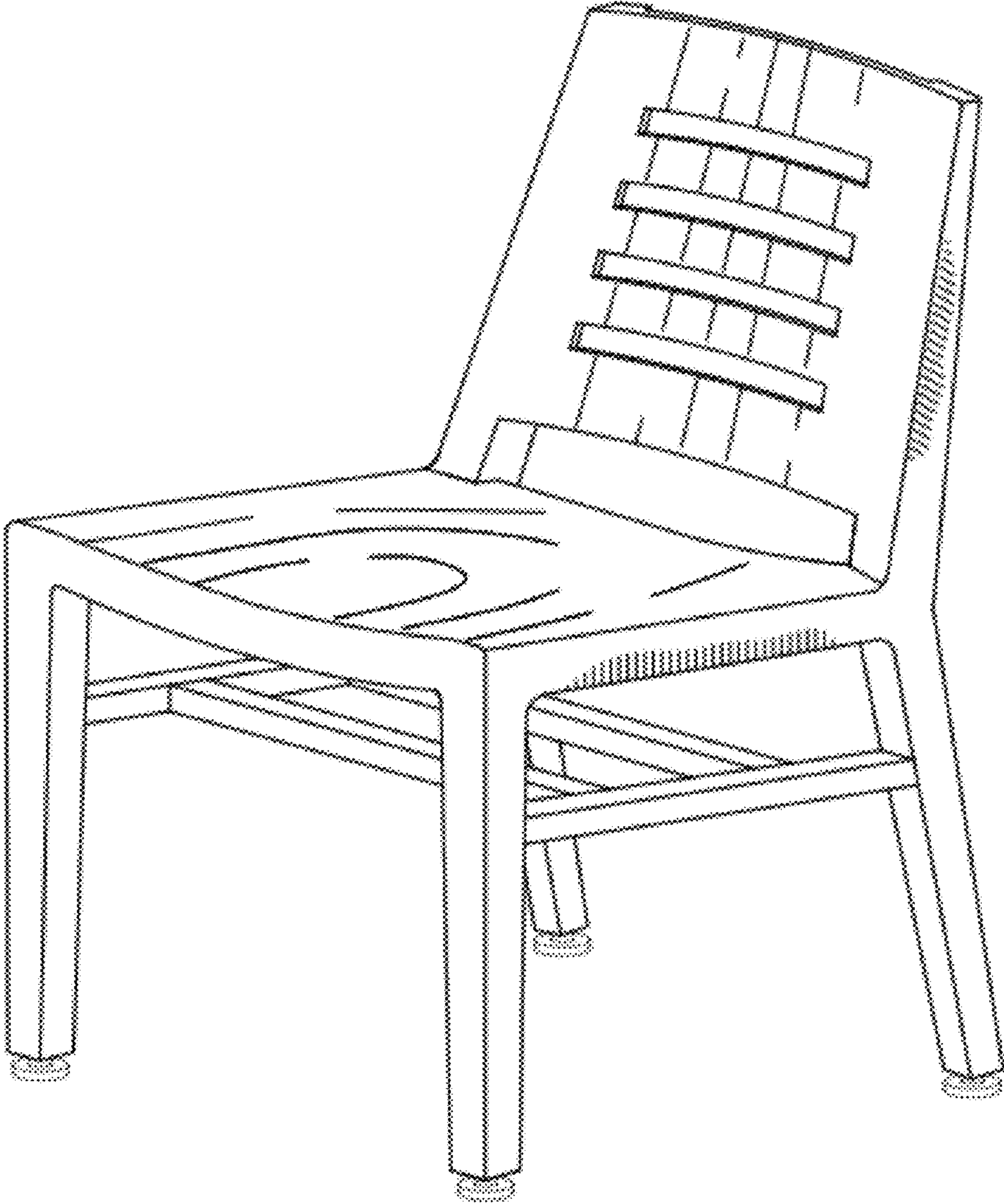


Fig. 1

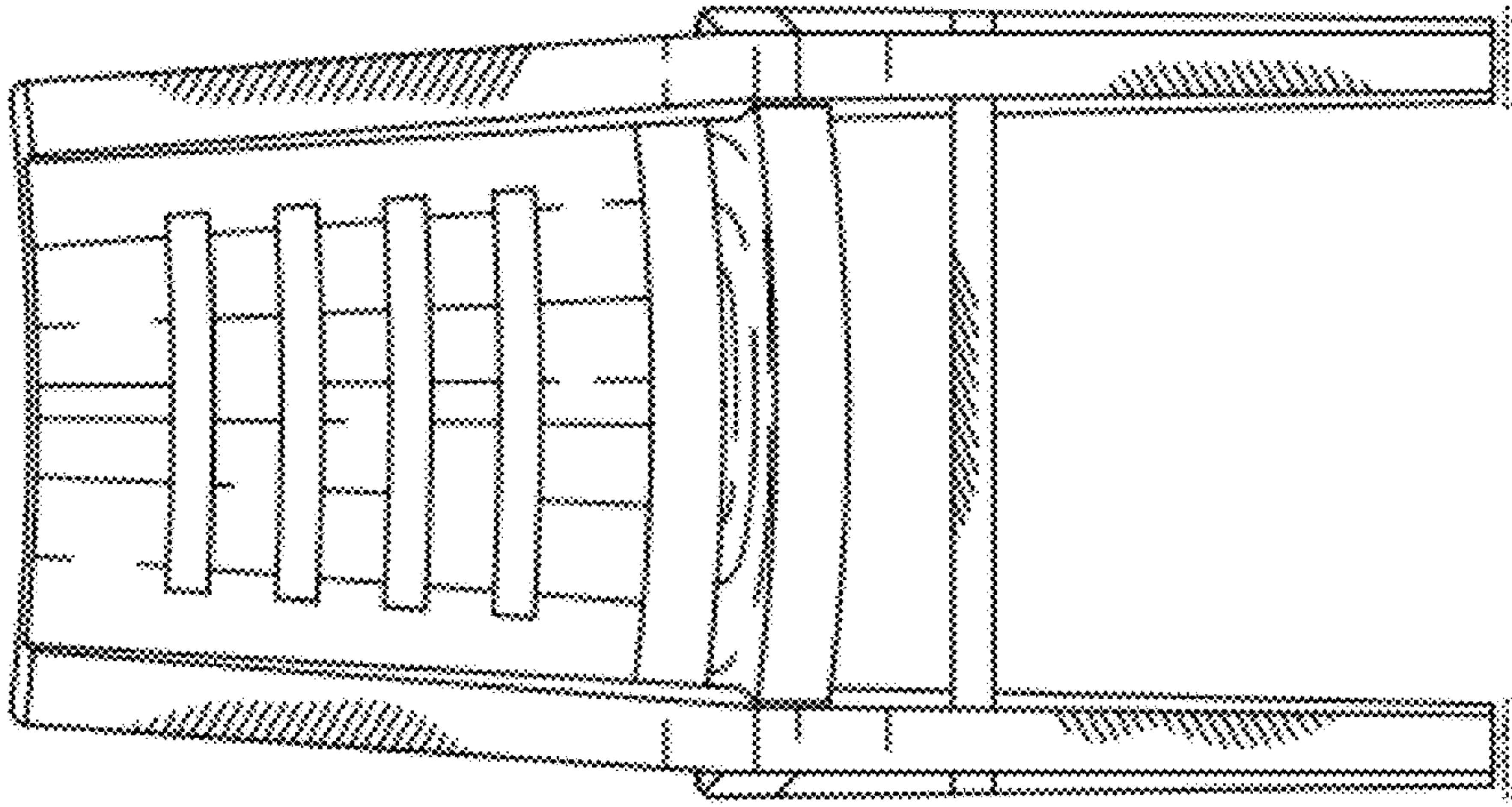


Fig. 3

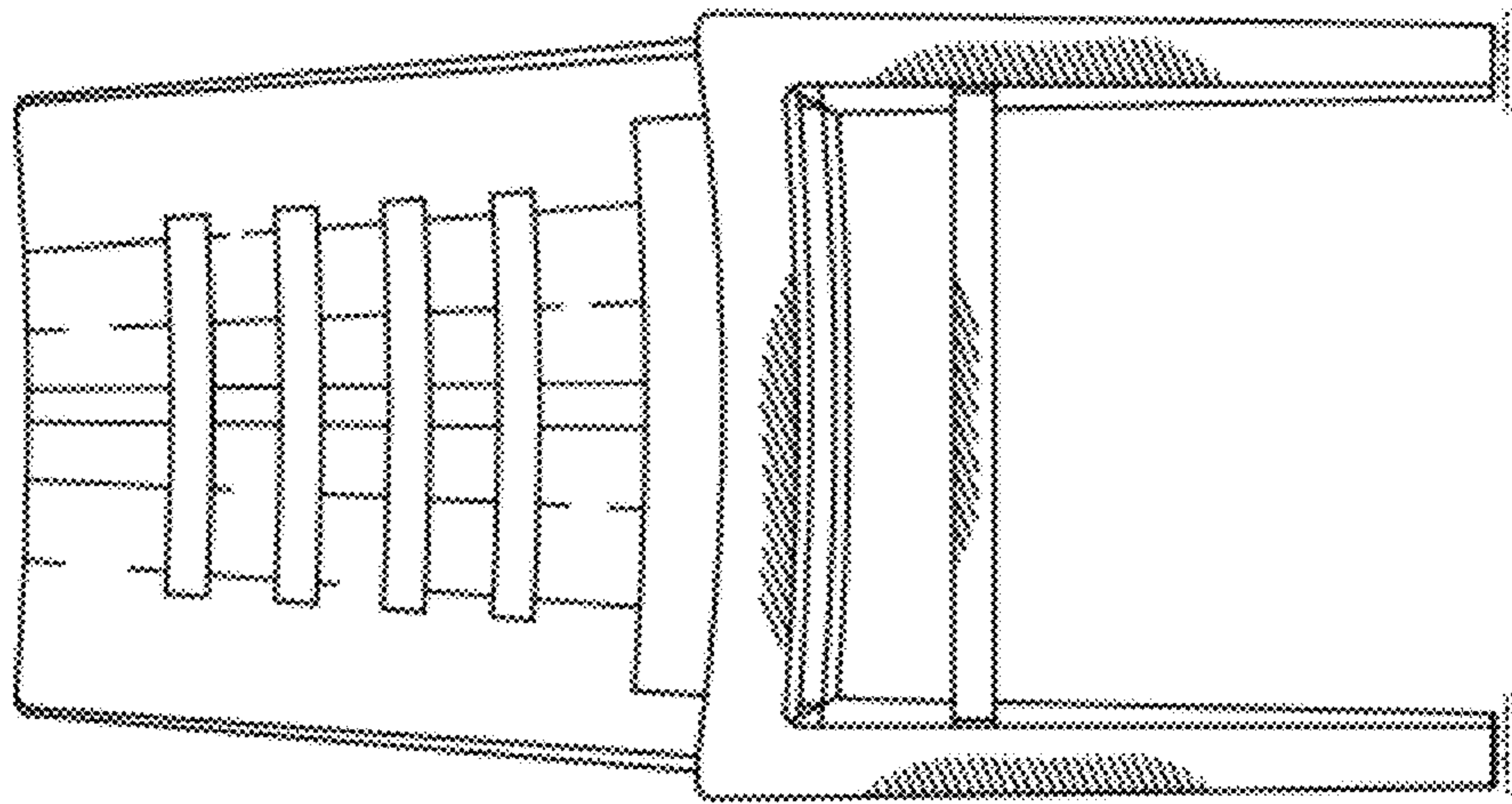


Fig. 2

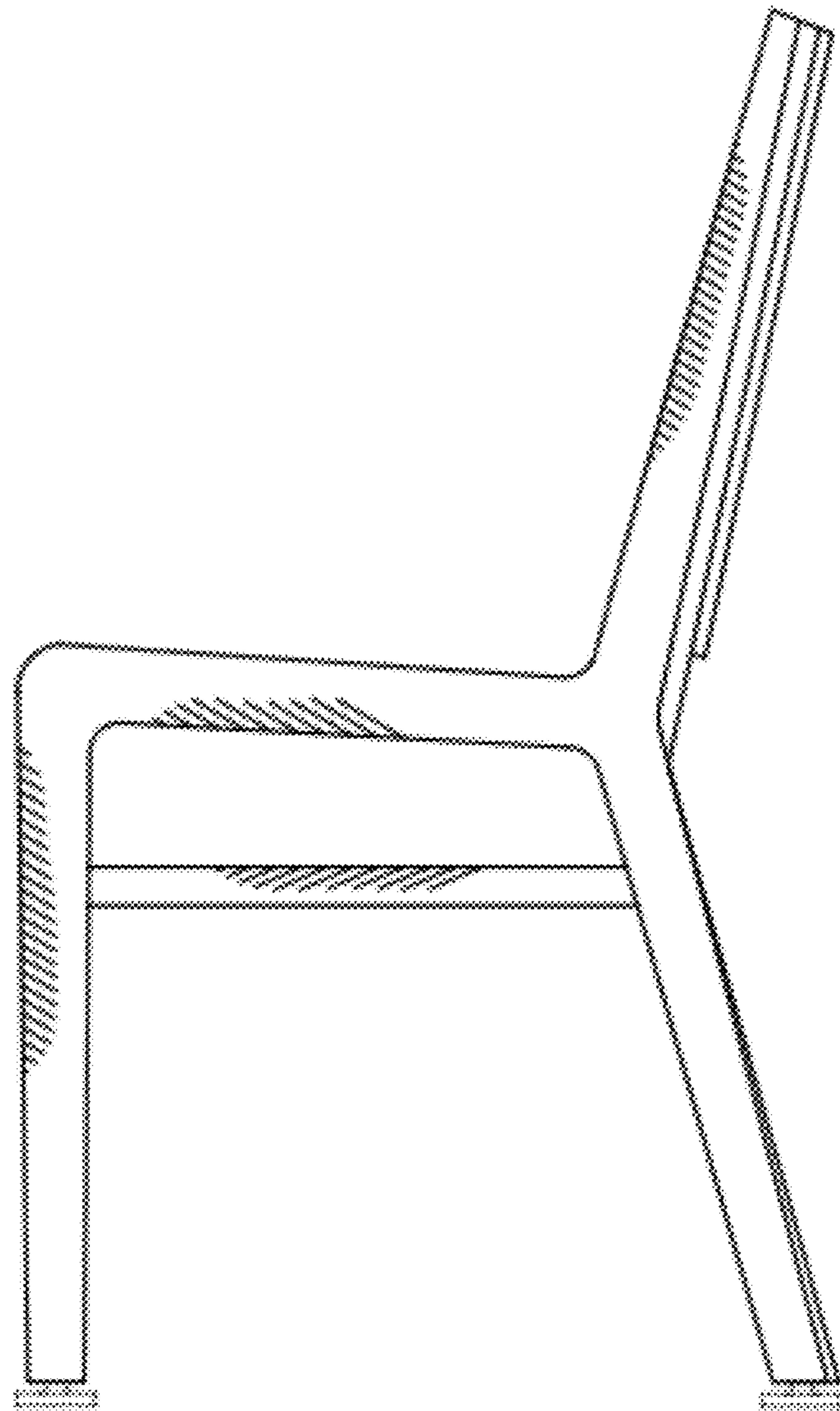


Fig. 4

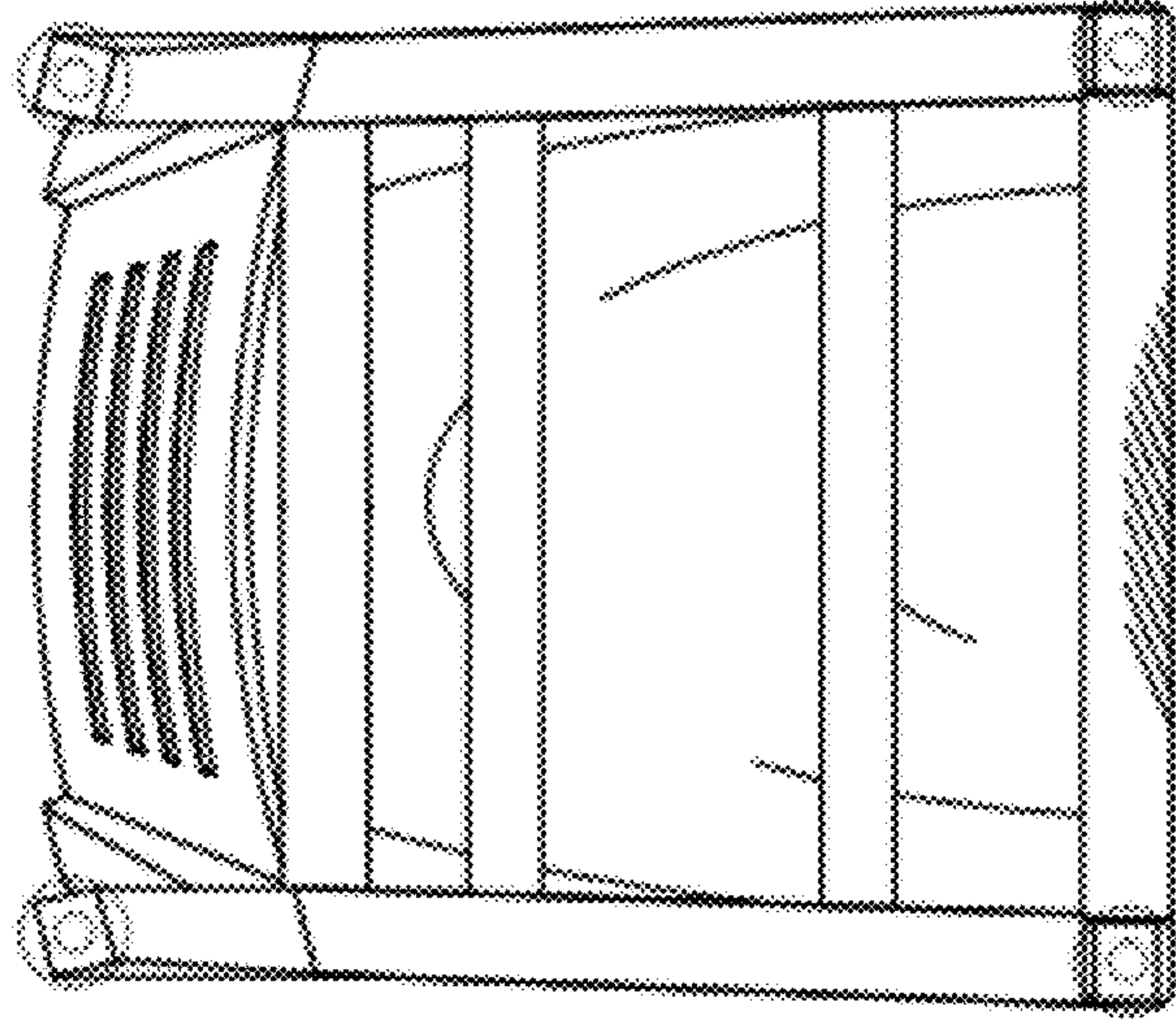


Fig. 6

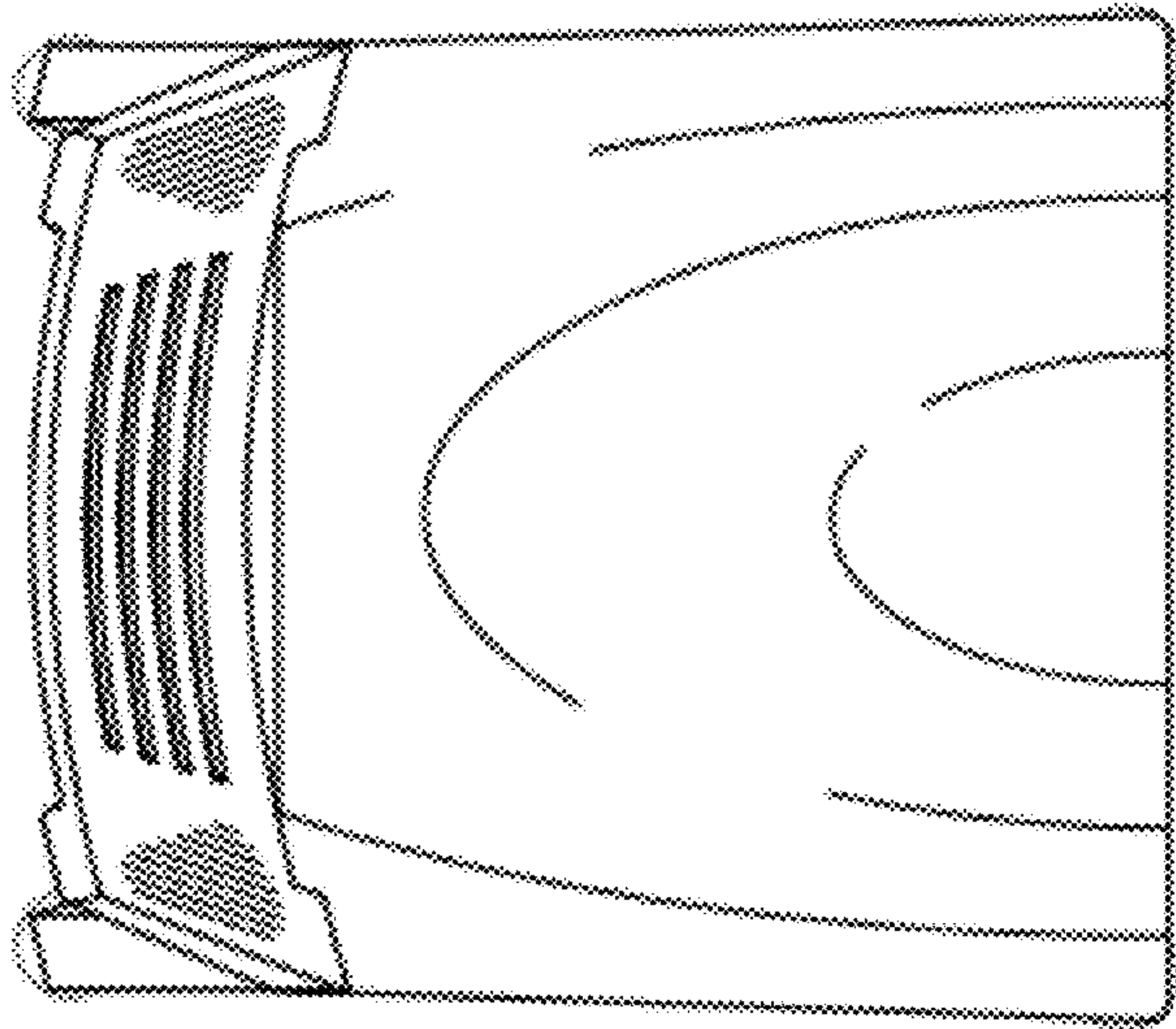


Fig. 5