

US00D660610S

(12) **United States Design Patent**
Nguyen

(10) **Patent No.:** **US D660,610 S**
(45) **Date of Patent:** **** May 29, 2012**

(54) **CHAIR**

(75) Inventor: **Huu Toan Nguyen**, Milan (IT)

(73) Assignee: **Dedon GmbH**, Luneburg (DE)

(**) Term: **14 Years**

(21) Appl. No.: **29/378,466**

(22) Filed: **Nov. 4, 2010**

(30) **Foreign Application Priority Data**

Aug. 5, 2010 (EM) 001740309

(51) **LOC (9) Cl.** **06-01**

(52) **U.S. Cl.** **D6/369**

(58) **Field of Classification Search** D6/334-336,
D6/364, 369, 370, 371, 373, 374, 375, 381,
D6/500-502; 297/232, 233, 445.1, 446.1,
297/451.9, 452.64

See application file for complete search history.

(56) **References Cited**

U.S. PATENT DOCUMENTS

D244,328 S *	5/1977	Heumann	D6/334
D360,310 S *	7/1995	Stamberg et al.	D6/334
D380,095 S *	6/1997	Diaz-Azcuy	D6/334
D410,800 S *	6/1999	Gomez	D6/369
D422,422 S *	4/2000	Black	D6/369

* cited by examiner

Primary Examiner — Mimoso De

(74) *Attorney, Agent, or Firm* — C. Brandon Browning;
Maynard Cooper & Gale, PC

(57) **CLAIM**

The ornamental design for a chair, as shown and described.

DESCRIPTION

FIG. 1 is a front perspective view of a chair in accordance with the present invention.

FIG. 2 is a side elevational view of the chair of FIG. 1.

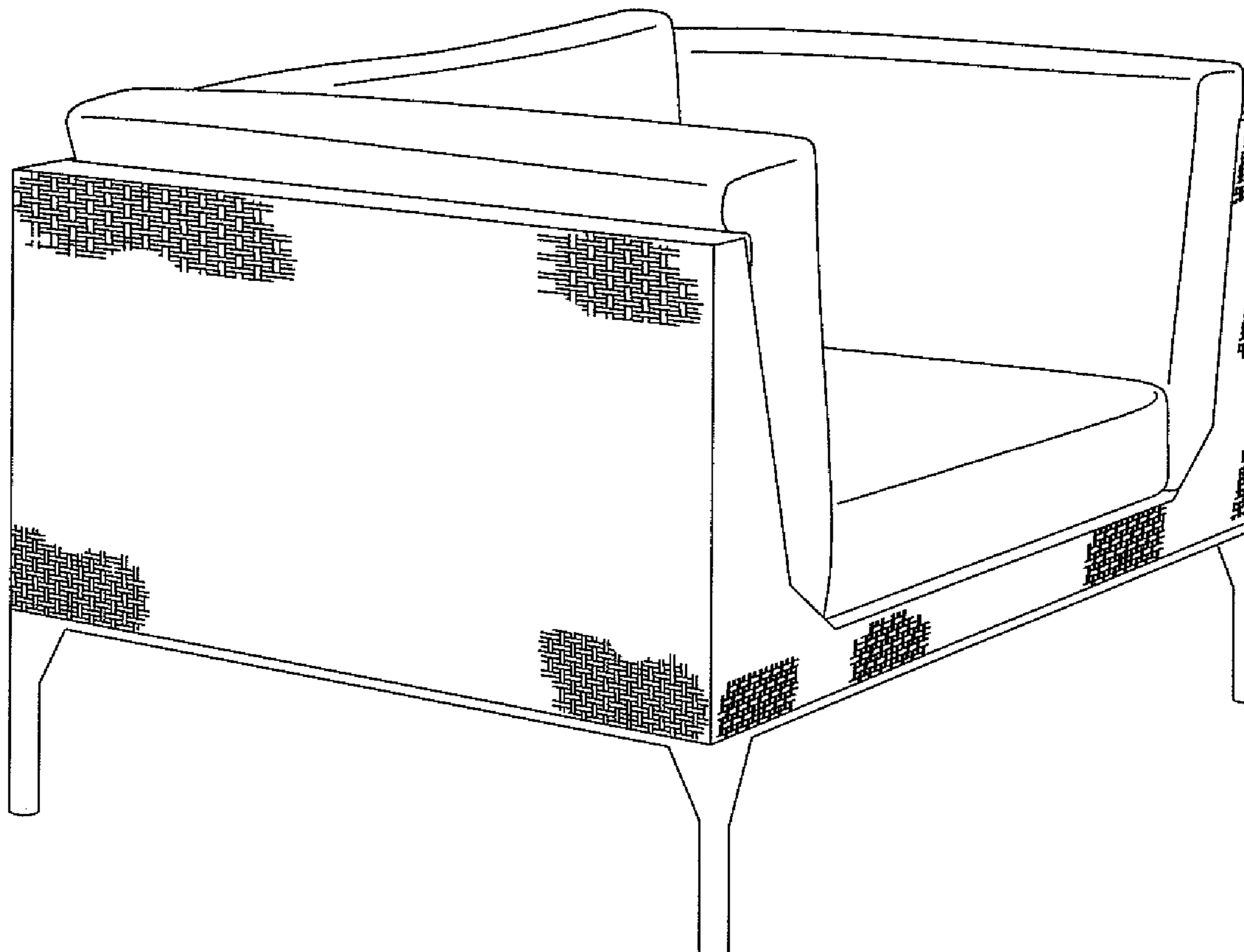
FIG. 3 is a front elevational view of the chair of FIG. 1.

FIG. 4 is a rear elevational view of the chair of FIG. 1; and,

FIG. 5 is a top plan view of the chair of FIG. 1.

The fragmented depictions of weave pattern shown in the views are understood to repeat throughout the areas shown.

1 Claim, 5 Drawing Sheets



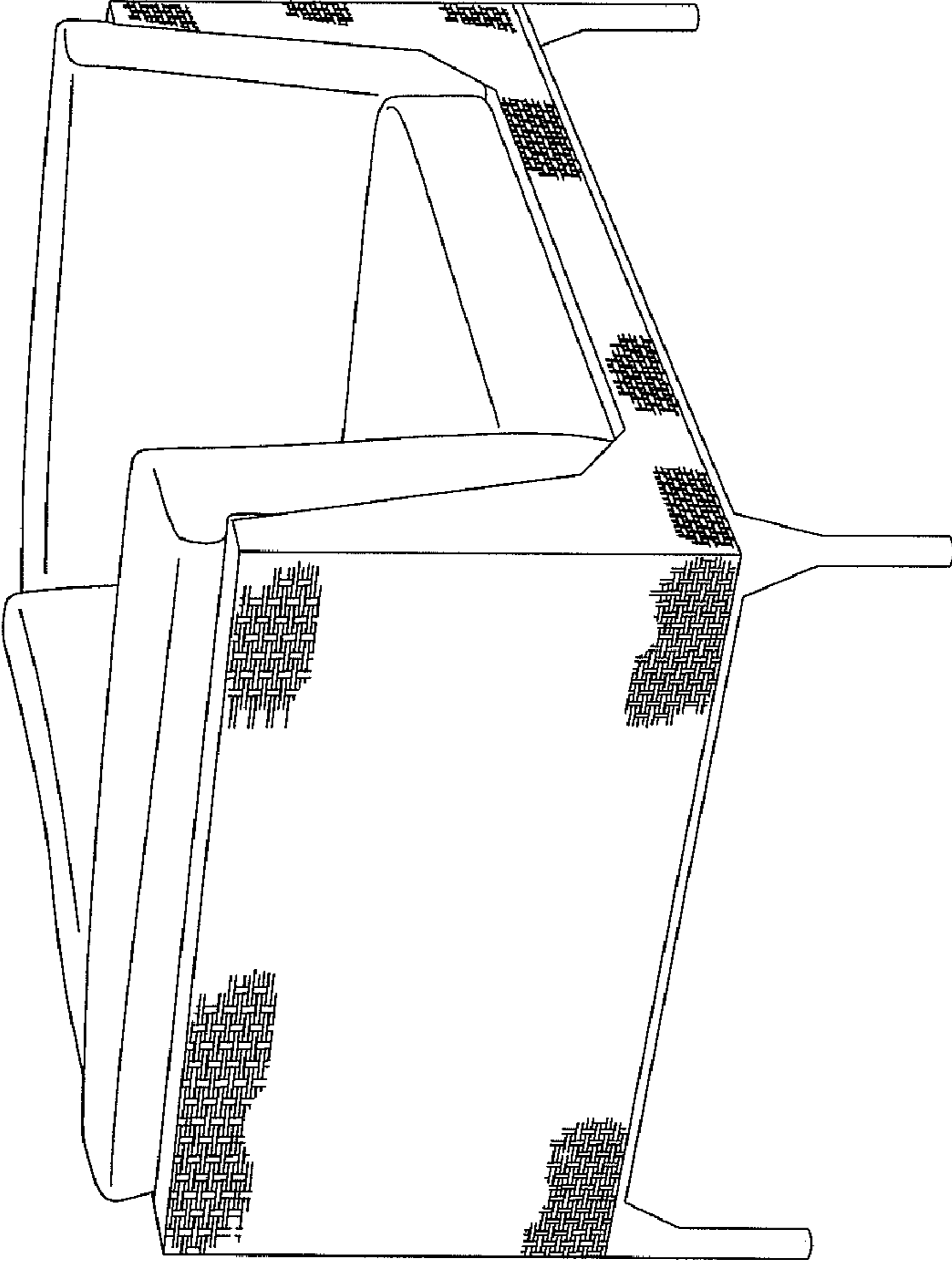


FIG. 1

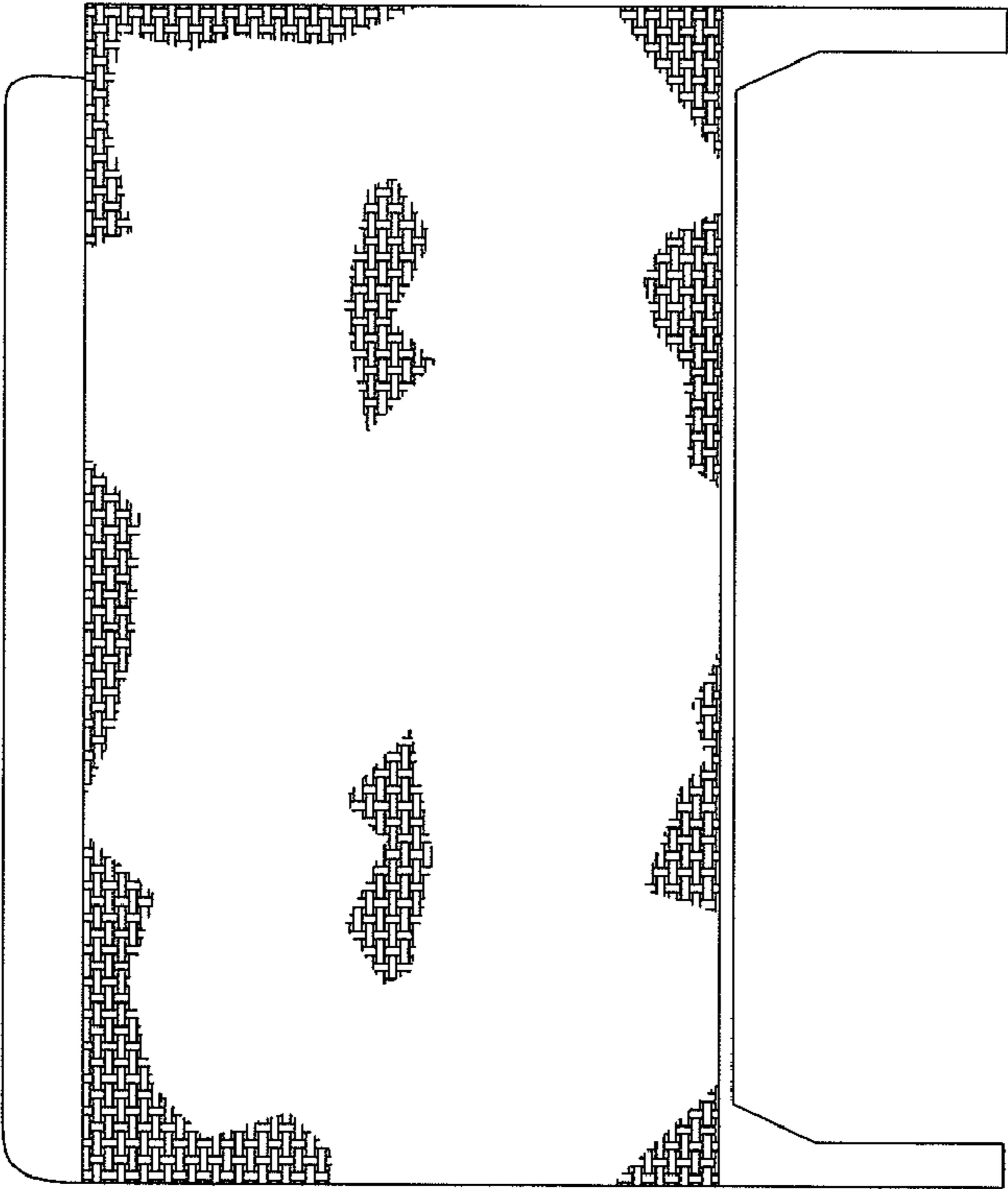


FIG. 2

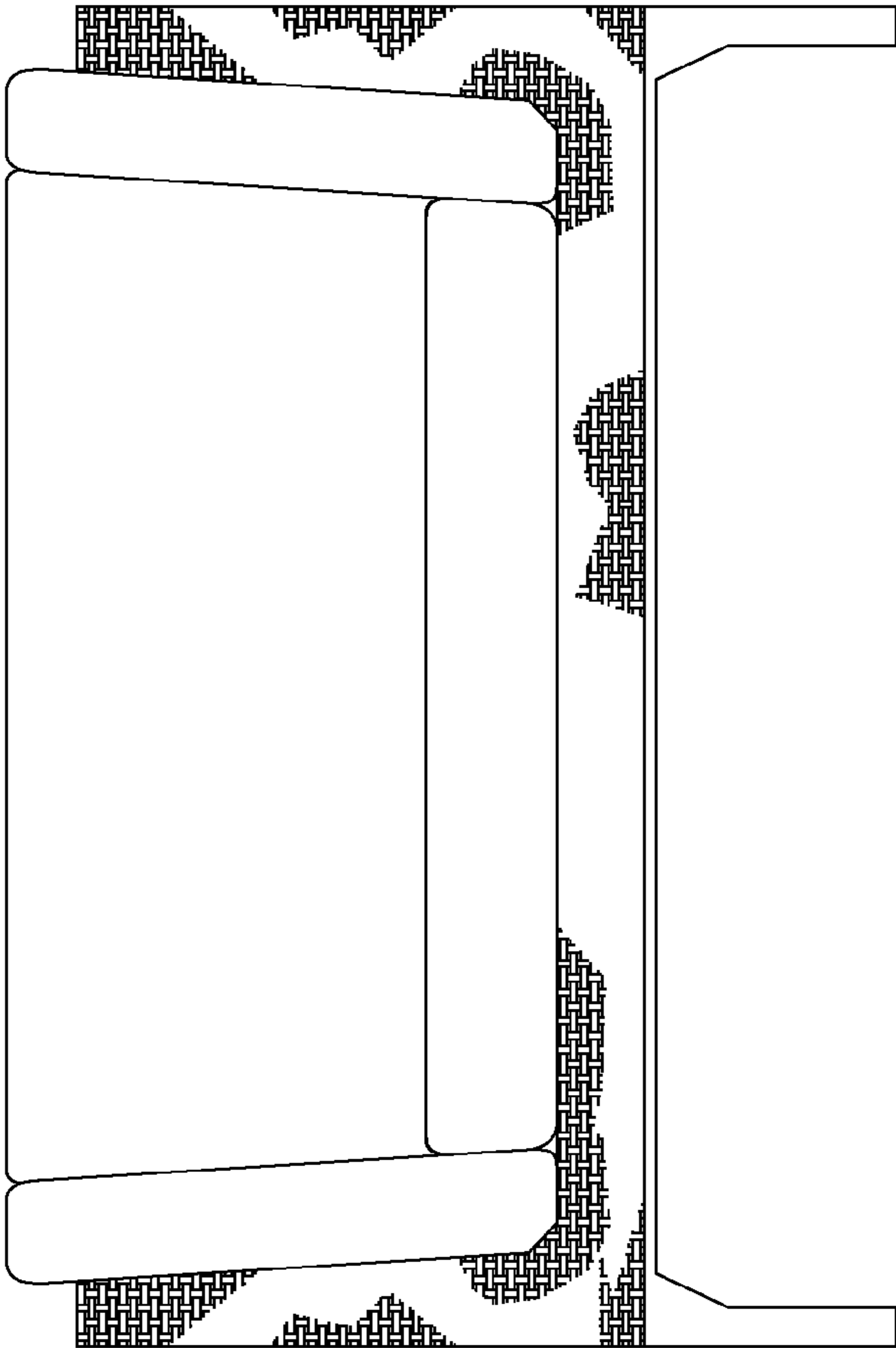


FIG. 3

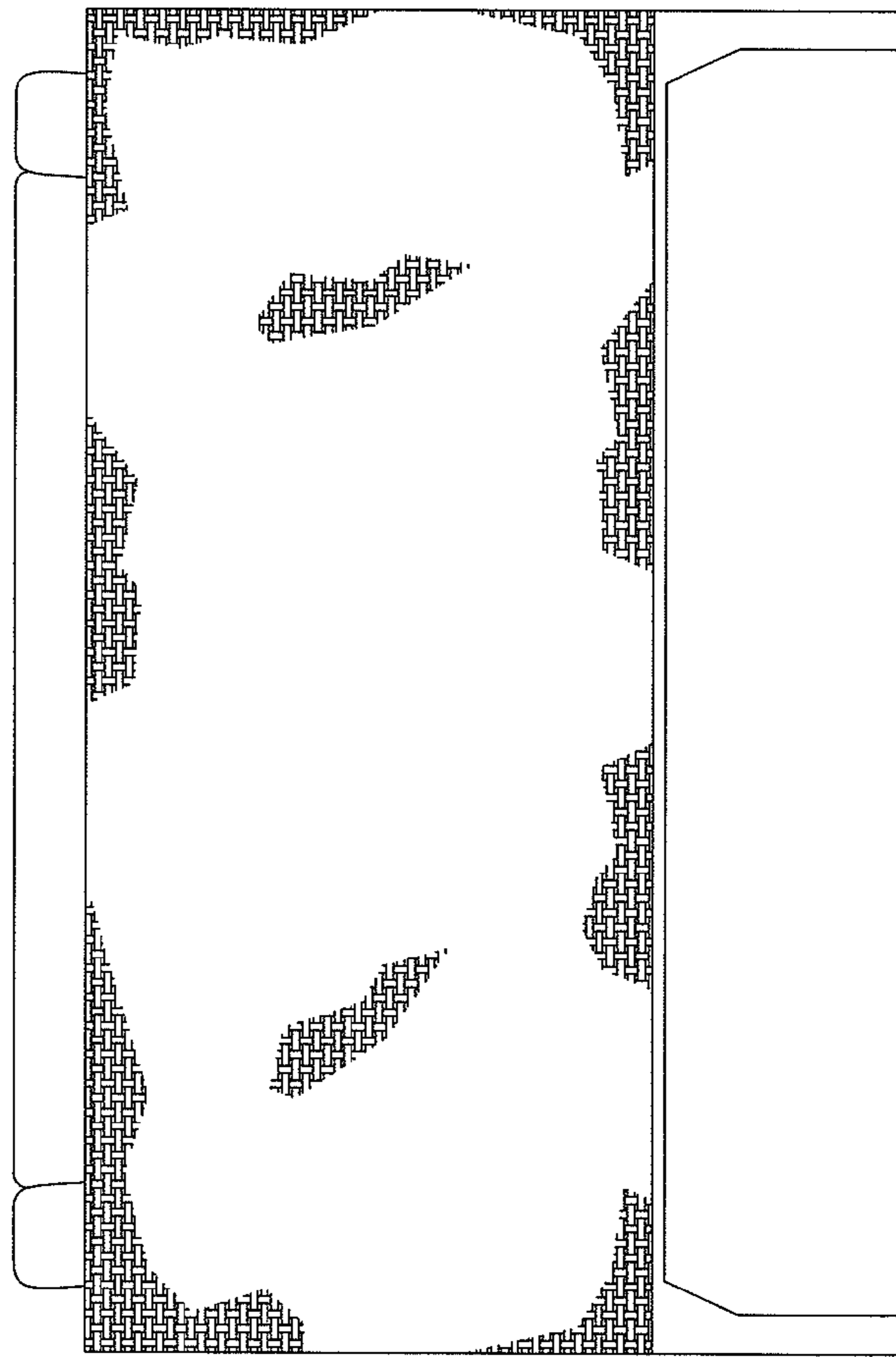


FIG. 4

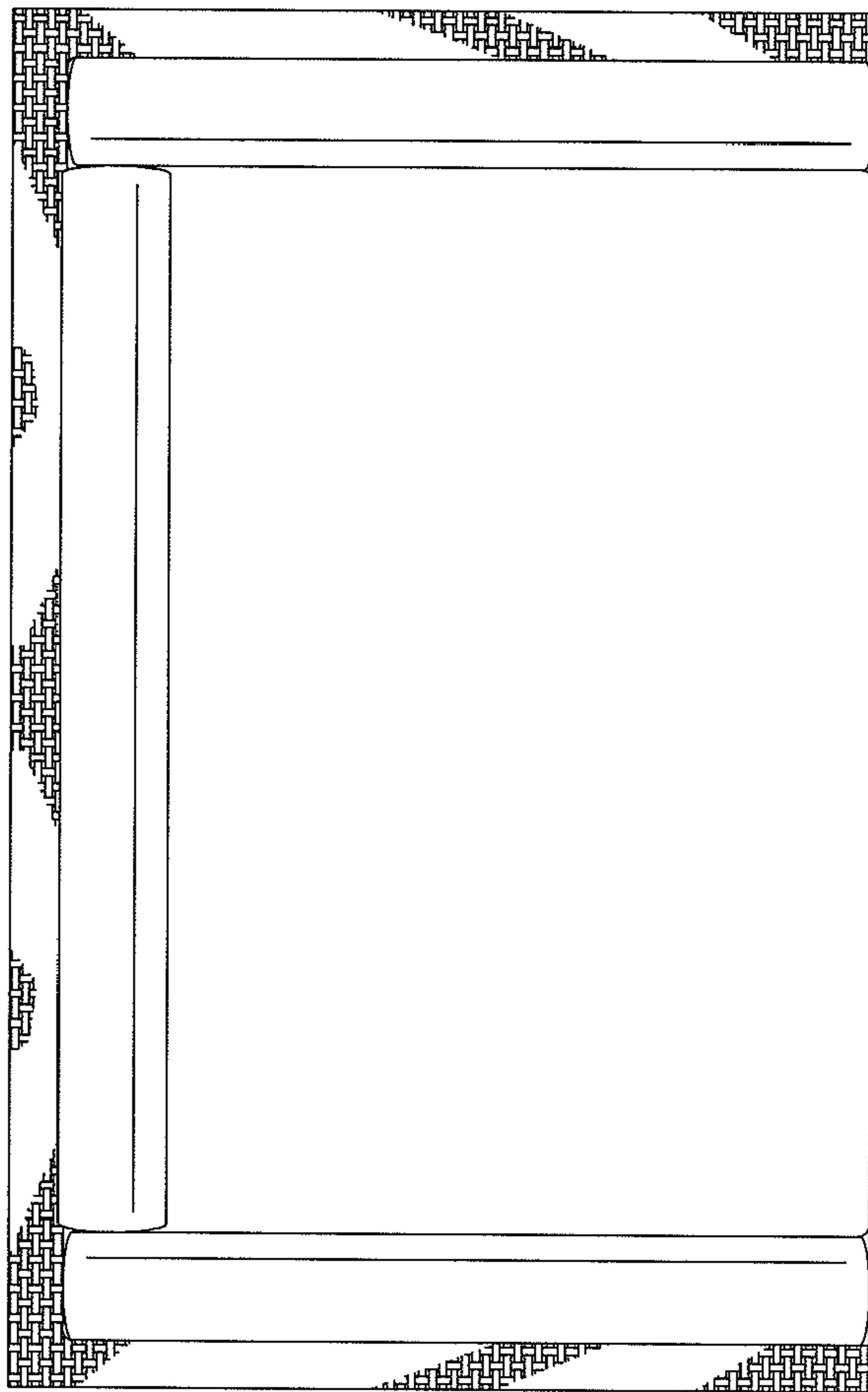


FIG. 5