



US00D660605S

(12) **United States Design Patent**  
**Strong et al.**

(10) **Patent No.:** **US D660,605 S**

(45) **Date of Patent:** **\*\* May 29, 2012**

(54) **CHILD SAFETY SEAT**

(75) Inventors: **L. Curtis Strong**, Rock Hill, SC (US);  
**Christopher G. Franck**, Fort Mill, SC (US)

(73) Assignee: **Britax Child Safety, Inc.**, Charlotte, NC (US)

(\*\*) Term: **14 Years**

(21) Appl. No.: **29/357,815**

(22) Filed: **Mar. 17, 2010**

(51) **LOC (9) Cl.** ..... **06-01**

(52) **U.S. Cl.** ..... **D6/333**

(58) **Field of Classification Search** ..... D6/333,  
D6/339; 297/184.13, 184.17, 219.12, 250.1,  
297/256.16, 463.1; D21/428; D12/129;  
5/655

See application file for complete search history.

(56) **References Cited**

**U.S. PATENT DOCUMENTS**

|           |   |         |               |
|-----------|---|---------|---------------|
| 2,270,172 | A | 1/1942  | Ruegger       |
| 3,326,603 | A | 6/1967  | Lehner        |
| 3,985,388 | A | 10/1976 | Hogan         |
| 3,998,291 | A | 12/1976 | Davis         |
| 4,033,622 | A | 7/1977  | Boudreau      |
| 4,662,597 | A | 5/1987  | Uecker et al. |
| 4,826,246 | A | 5/1989  | Meeker        |

(Continued)

**FOREIGN PATENT DOCUMENTS**

DE 34 22 695 A1 12/1985

(Continued)

**OTHER PUBLICATIONS**

European Search Report for Application No. EP 11 00 1950 dated Jul. 6, 2011.

(Continued)

*Primary Examiner* — Sandra Snapp

(74) *Attorney, Agent, or Firm* — Alston & Bird LLP

(57) **CLAIM**

The ornamental design for a child safety seat, as shown and described.

**DESCRIPTION**

FIG. 1 is a perspective view of a child safety seat according to our new design;

FIG. 2 is a left side elevation view thereof, the right side being a mirror image thereof;

FIG. 3 is a front plan view thereof;

FIG. 4 is a top plan view thereof;

FIG. 5 is a rear plan view thereof;

FIG. 6 is a bottom plan view thereof;

FIG. 7 is an exploded perspective view thereof including a base and an energy absorbing insert;

FIG. 8 is an exploded left side elevation view thereof including a base and an energy absorbing insert;

FIG. 9 is another perspective view thereof including a base;

FIG. 10 is a left side elevation view thereof including a base;

FIG. 11 is an enlarged cross-section view thereof taken along section 11-11 of FIG. 8;

FIG. 12 is a perspective view of thereof;

FIG. 13 is a left side elevation view thereof, the right side being a mirror image thereof;

FIG. 14 is front plan view thereof;

FIG. 15 is a top plan view thereof;

FIG. 16 is rear plan view thereof;

FIG. 17 is a bottom plan view thereof;

FIG. 18 is an exploded perspective view thereof including a base and an energy absorbing insert;

FIG. 19 is an exploded left side elevation view thereof including a base and an energy absorbing insert;

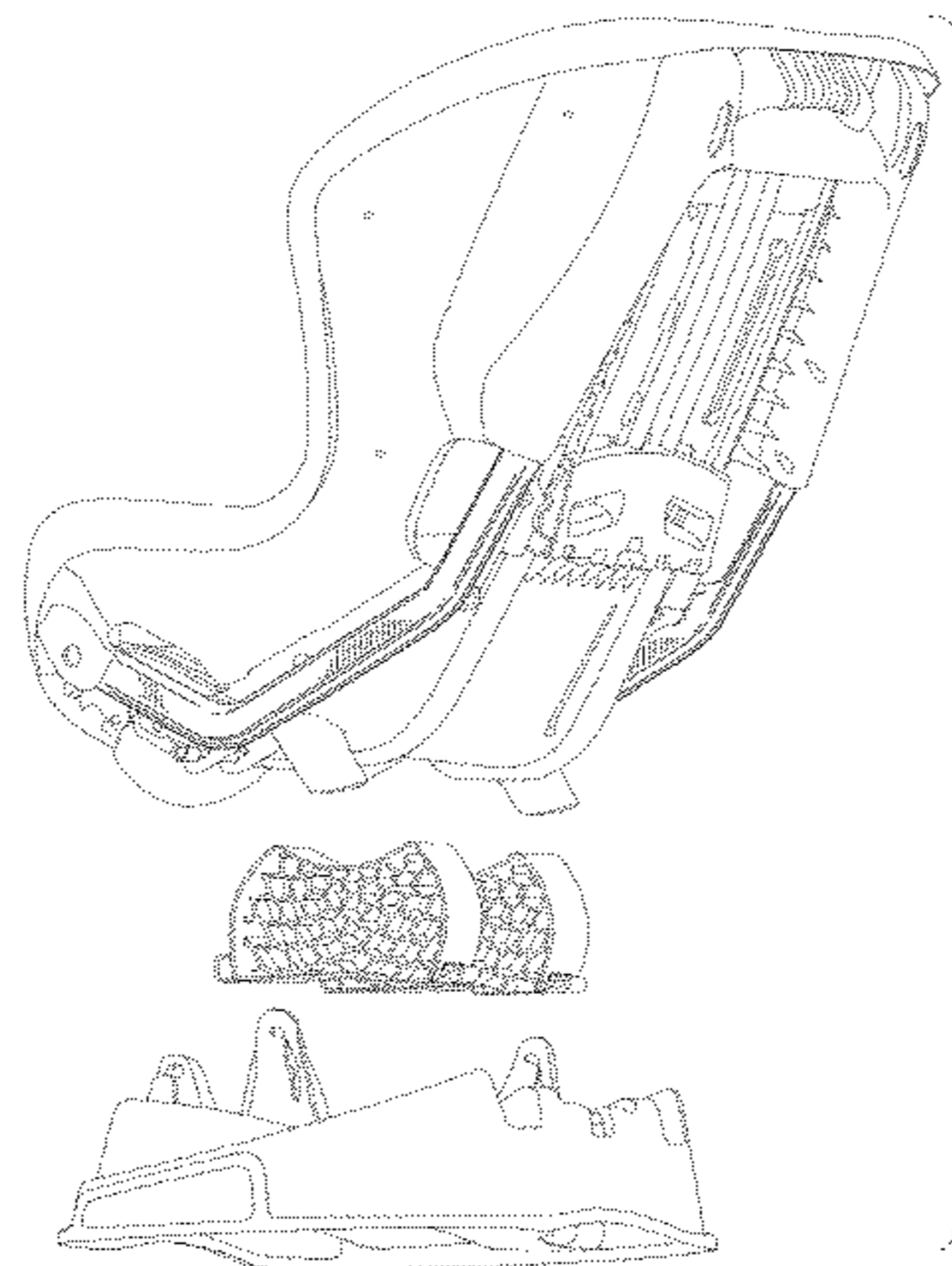
FIG. 20 is another perspective view thereof including a base;

FIG. 21 is a left side elevation view thereof including a base; and,

FIG. 22 is an enlarged cross-section view thereof taken along section 22-22 of FIG. 19.

The broken lines immediately adjacent the shaded areas represent the bounds of the claimed design while all other broken lines are directed to environment and are for illustrative purposes only; the broken lines form no part of the claimed design.

**1 Claim, 22 Drawing Sheets**



# US D660,605 S

Page 2

## U.S. PATENT DOCUMENTS

|           |     |         |                    |        |
|-----------|-----|---------|--------------------|--------|
| 5,286,085 | A   | 2/1994  | Minami             |        |
| 5,460,427 | A   | 10/1995 | Serber             |        |
| 5,462,333 | A   | 10/1995 | Beauvais           |        |
| 5,466,044 | A   | 11/1995 | Barley et al.      |        |
| 5,468,044 | A   | 11/1995 | Coman              |        |
| 5,468,045 | A   | 11/1995 | Weber              |        |
| D366,965  | S * | 2/1996  | Meeker et al.      | D6/333 |
| 5,551,751 | A   | 9/1996  | Sedlack et al.     |        |
| 5,609,393 | A   | 3/1997  | Meeker et al.      |        |
| 5,639,144 | A   | 6/1997  | Nanjokas           |        |
| D383,912  | S * | 9/1997  | Meeker et al.      | D6/333 |
| 5,664,830 | A   | 9/1997  | Garcia et al.      |        |
| 5,685,603 | A   | 11/1997 | Lane, Jr.          |        |
| 5,695,243 | A   | 12/1997 | Anthony et al.     |        |
| 5,722,719 | A   | 3/1998  | Glomstad           |        |
| D427,785  | S * | 7/2000  | Kassai             | D6/333 |
| 6,267,441 | B1  | 7/2001  | Otero              |        |
| 6,450,576 | B1  | 9/2002  | Rhein et al.       |        |
| 6,517,154 | B2  | 2/2003  | Sawamoto           |        |
| 6,592,183 | B2  | 7/2003  | Kain               |        |
| 6,623,075 | B2  | 9/2003  | Baloga et al.      |        |
| D483,576  | S * | 12/2003 | Kassai et al.      | D6/333 |
| 6,669,288 | B2  | 12/2003 | Nakagawa et al.    |        |
| D487,640  | S * | 3/2004  | Chen               | D6/333 |
| 6,719,369 | B1  | 4/2004  | Wagner             |        |
| 6,739,659 | B2  | 5/2004  | Dukes              |        |
| 6,739,660 | B2  | 5/2004  | Dukes              |        |
| 6,752,455 | B2  | 6/2004  | Teufel et al.      |        |
| 6,767,057 | B2  | 7/2004  | Neelis             |        |
| 6,776,454 | B1  | 8/2004  | Aubert et al.      |        |
| 6,796,610 | B2  | 9/2004  | Nakagawa et al.    |        |
| 6,869,141 | B2  | 3/2005  | Yamaoka et al.     |        |
| 7,021,709 | B2  | 4/2006  | Dolan et al.       |        |
| D523,646  | S * | 6/2006  | Fretschnner et al. | D6/333 |
| 7,219,958 | B2  | 5/2007  | Yamazaki et al.    |        |
| 7,246,853 | B2  | 7/2007  | Harcourt et al.    |        |

|              |      |         |                 |           |
|--------------|------|---------|-----------------|-----------|
| 7,322,648    | B2   | 1/2008  | Nakagawa et al. |           |
| 7,472,952    | B2   | 1/2009  | Nakhia et al.   |           |
| D604,054     | S *  | 11/2009 | Biaud           | D6/333    |
| D611,258     | S *  | 3/2010  | Karremans       | D6/333    |
| D620,719     | S *  | 8/2010  | Li et al.       | D6/333    |
| D621,171     | S *  | 8/2010  | Xu              | D6/333    |
| D629,218     | S *  | 12/2010 | Li              | D6/333    |
| D629,220     | S *  | 12/2010 | Xu et al.       | D6/333    |
| 2004/0051356 | A1   | 3/2004  | Neelis          |           |
| 2005/0264065 | A1   | 12/2005 | Clement et al.  |           |
| 2007/0080568 | A1   | 4/2007  | Nakagawa et al. |           |
| 2007/0216203 | A1   | 9/2007  | Rajasingham     |           |
| 2008/0277984 | A1   | 11/2008 | Carine          |           |
| 2008/0303321 | A1   | 12/2008 | Powell          |           |
| 2008/0315647 | A1   | 12/2008 | Carine          |           |
| 2009/0102253 | A1   | 4/2009  | Forbes et al.   |           |
| 2009/0152913 | A1   | 6/2009  | Amesar et al.   |           |
| 2009/0212613 | A1   | 8/2009  | Freeman et al.  |           |
| 2009/0236881 | A1   | 9/2009  | Freeman et al.  |           |
| 2009/0256404 | A1   | 10/2009 | Strong et al.   |           |
| 2009/0267390 | A1   | 10/2009 | Honnorat et al. |           |
| 2010/0253120 | A1 * | 10/2010 | Heisey et al.   | 297/250.1 |
| 2010/0259077 | A1   | 10/2010 | Forbes et al.   |           |

## FOREIGN PATENT DOCUMENTS

|    |             |    |         |
|----|-------------|----|---------|
| DE | 19604094    | A1 | 7/1997  |
| EP | 0403853     |    | 12/1990 |
| EP | 0 609 890   | A1 | 8/1994  |
| EP | 1 209 025   | A1 | 5/2002  |
| EP | 2 289 733   | A1 | 3/2011  |
| WO | WO 01/38130 | A1 | 5/2001  |

## OTHER PUBLICATIONS

Extended European Search Report for EP Patent Application No. 11001951.0 dated May 26, 2011 (6 pages).

\* cited by examiner

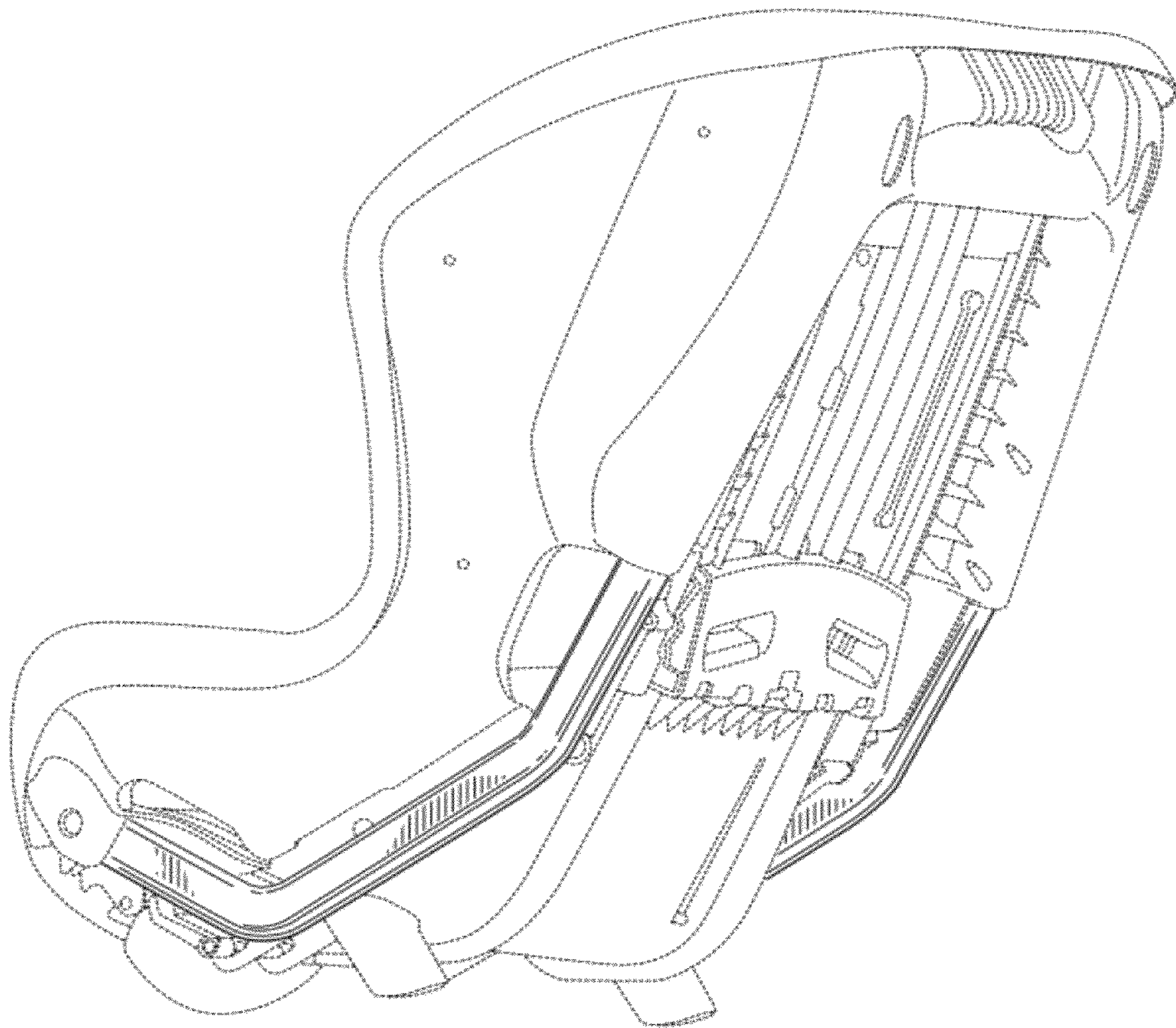


FIG. 1

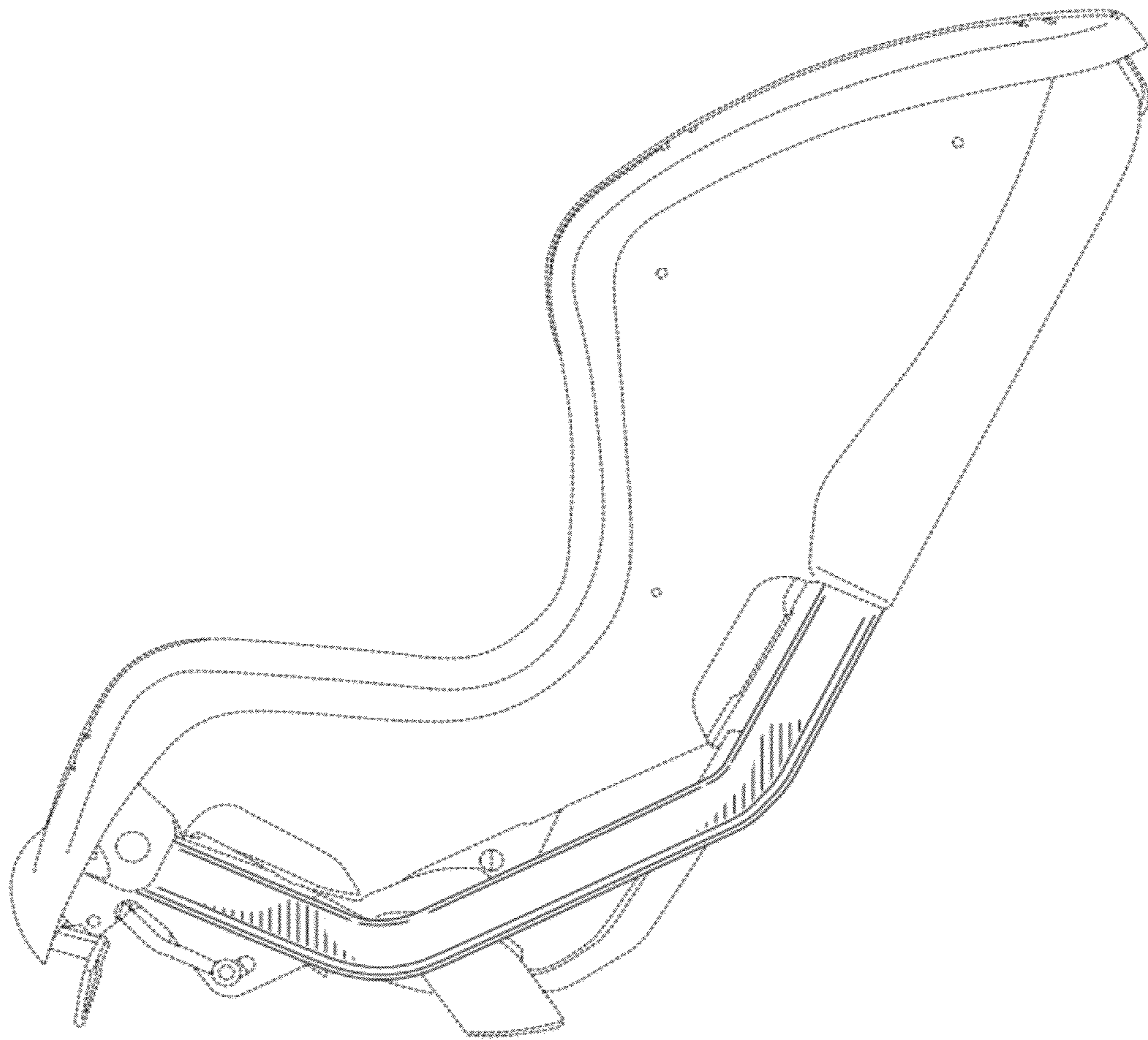


FIG. 2

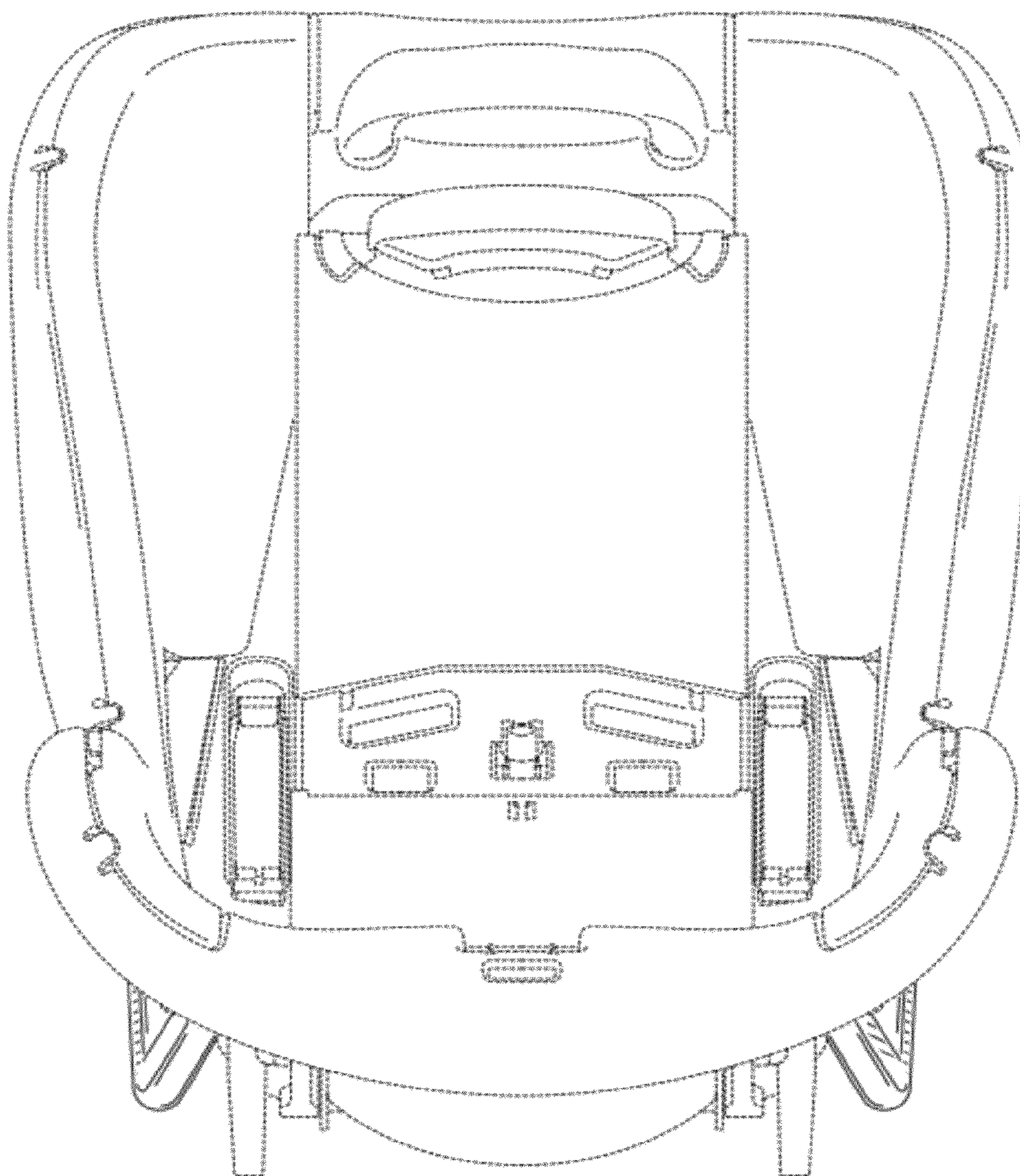


FIG. 3

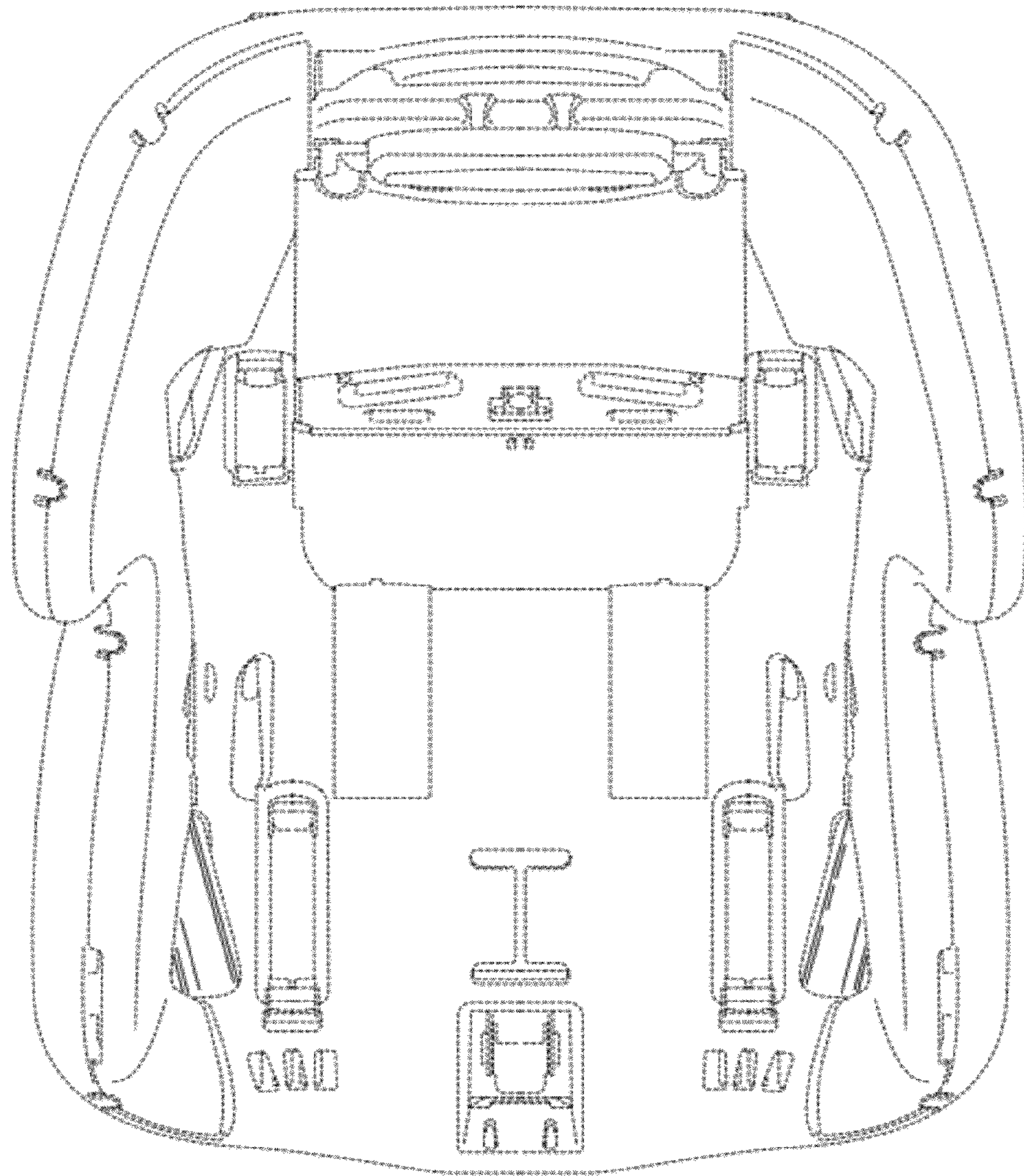


FIG. 4

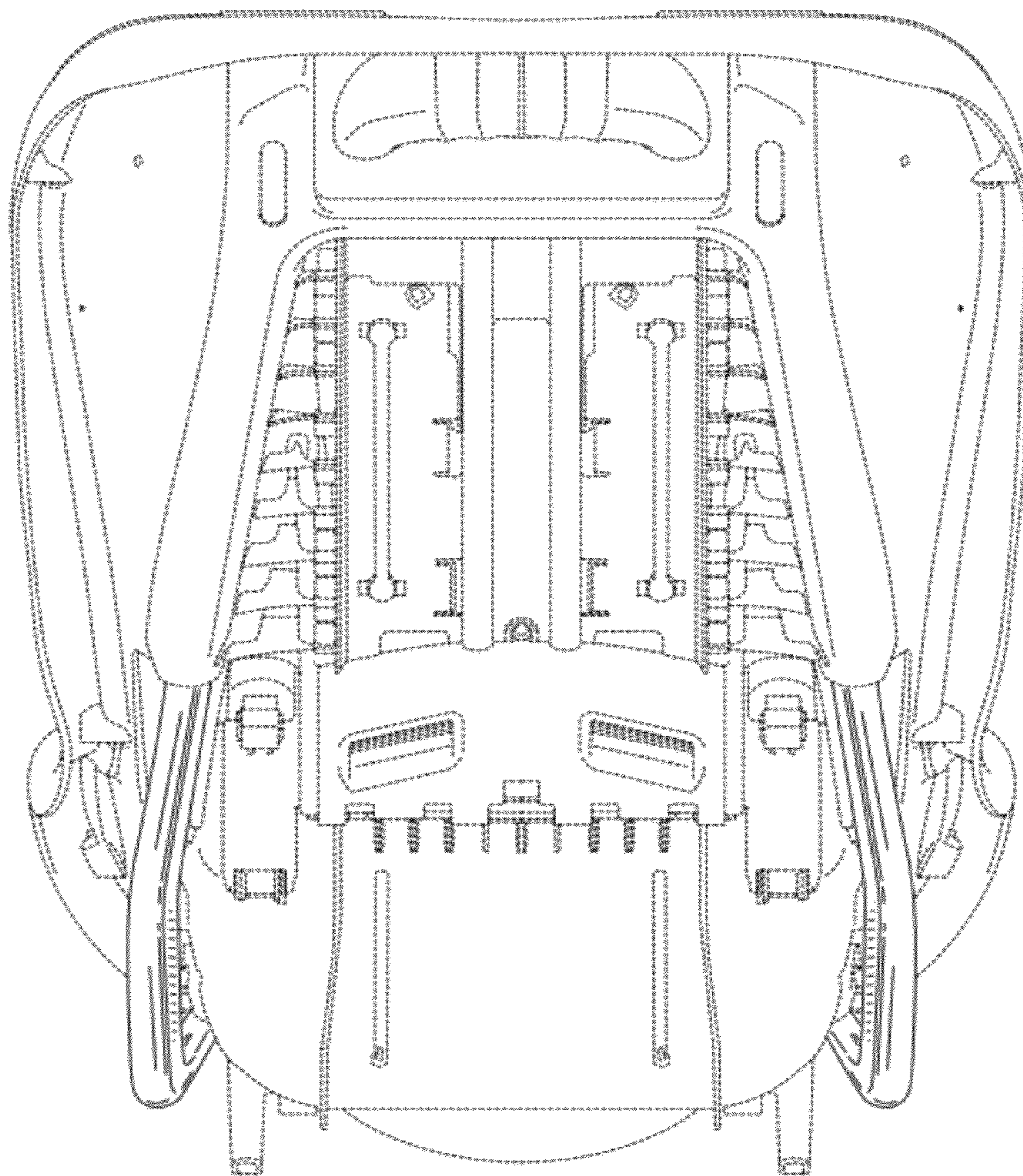


FIG. 5

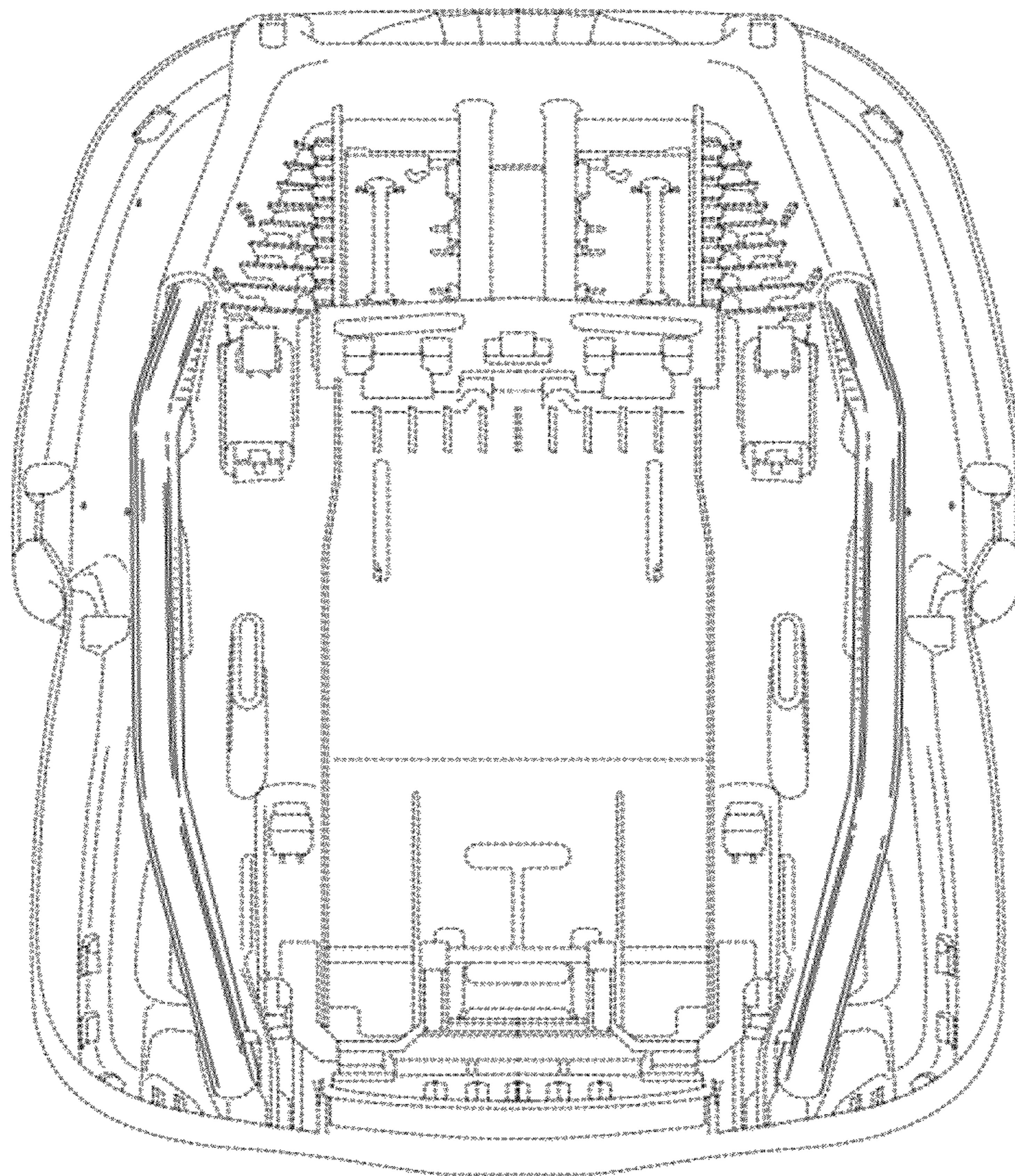
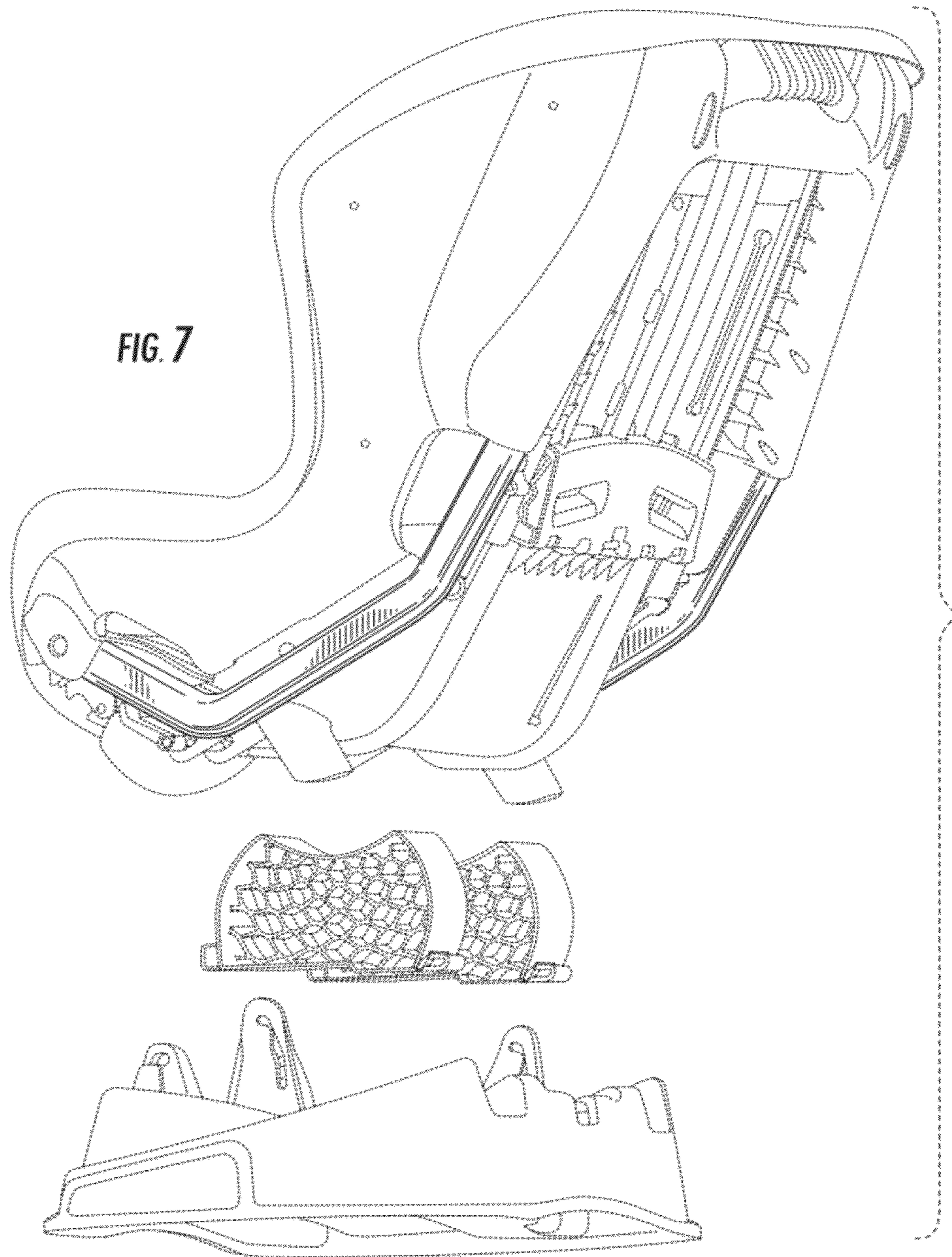


FIG. 6





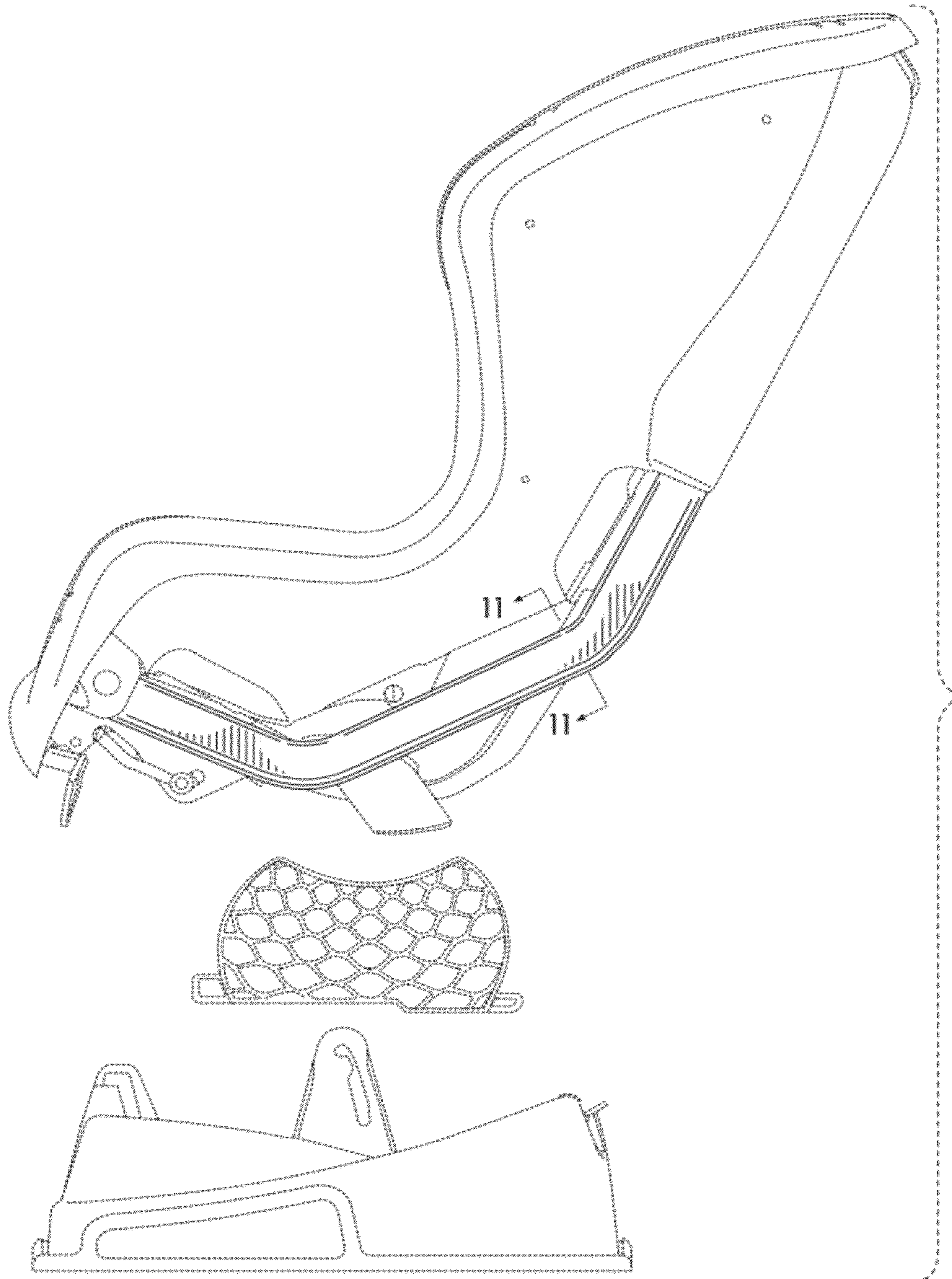


FIG. 8

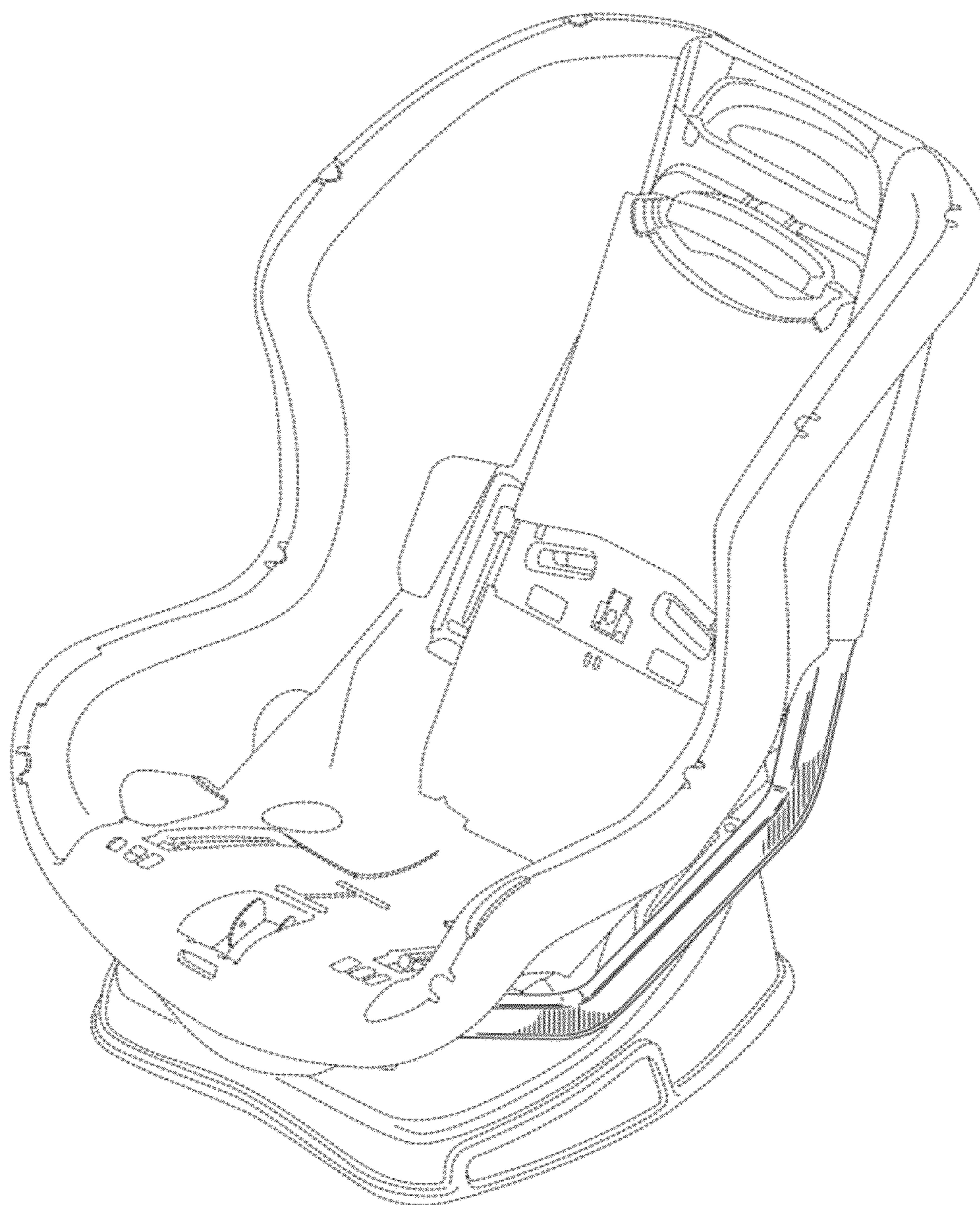


FIG. 9

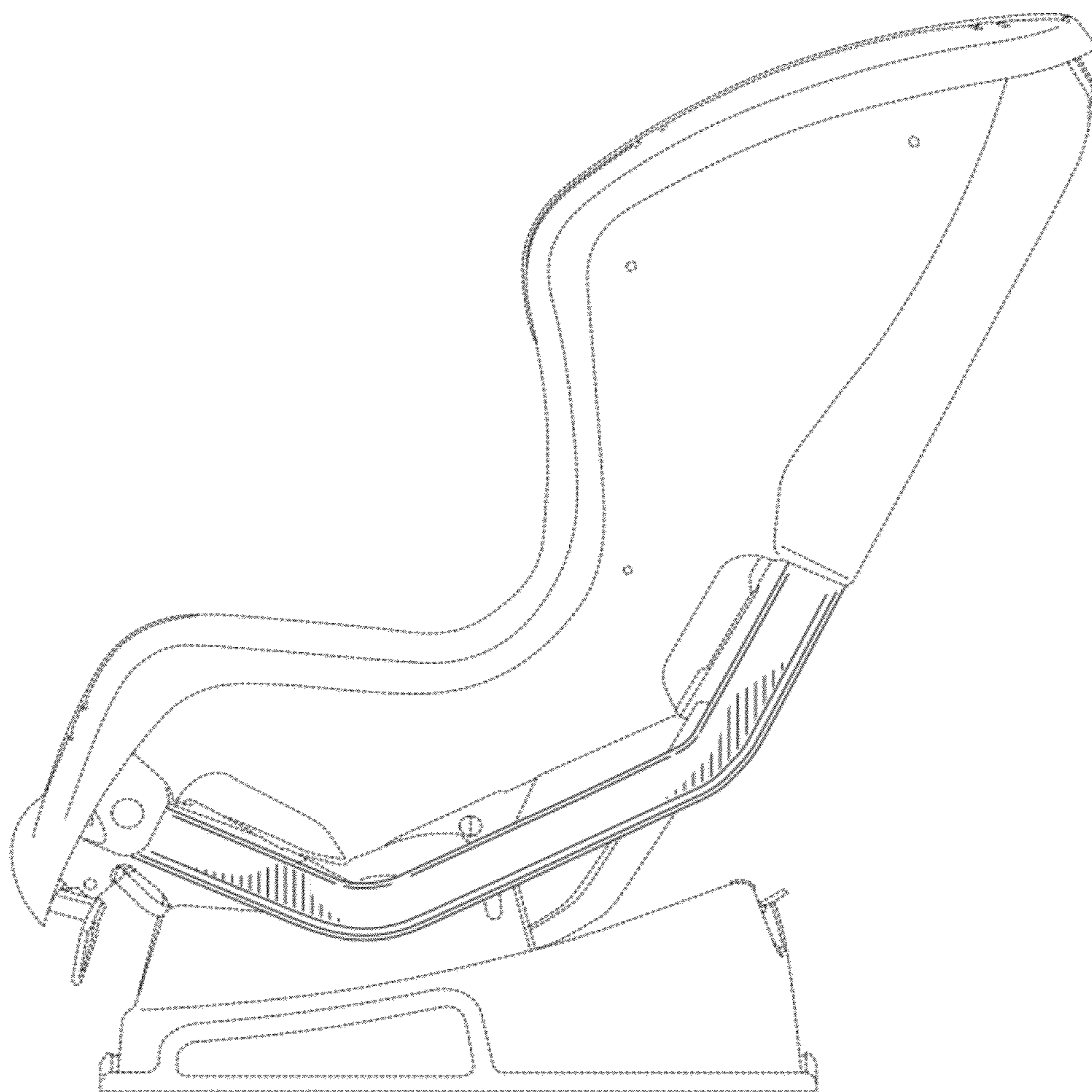


FIG. 10



**FIG. 11**

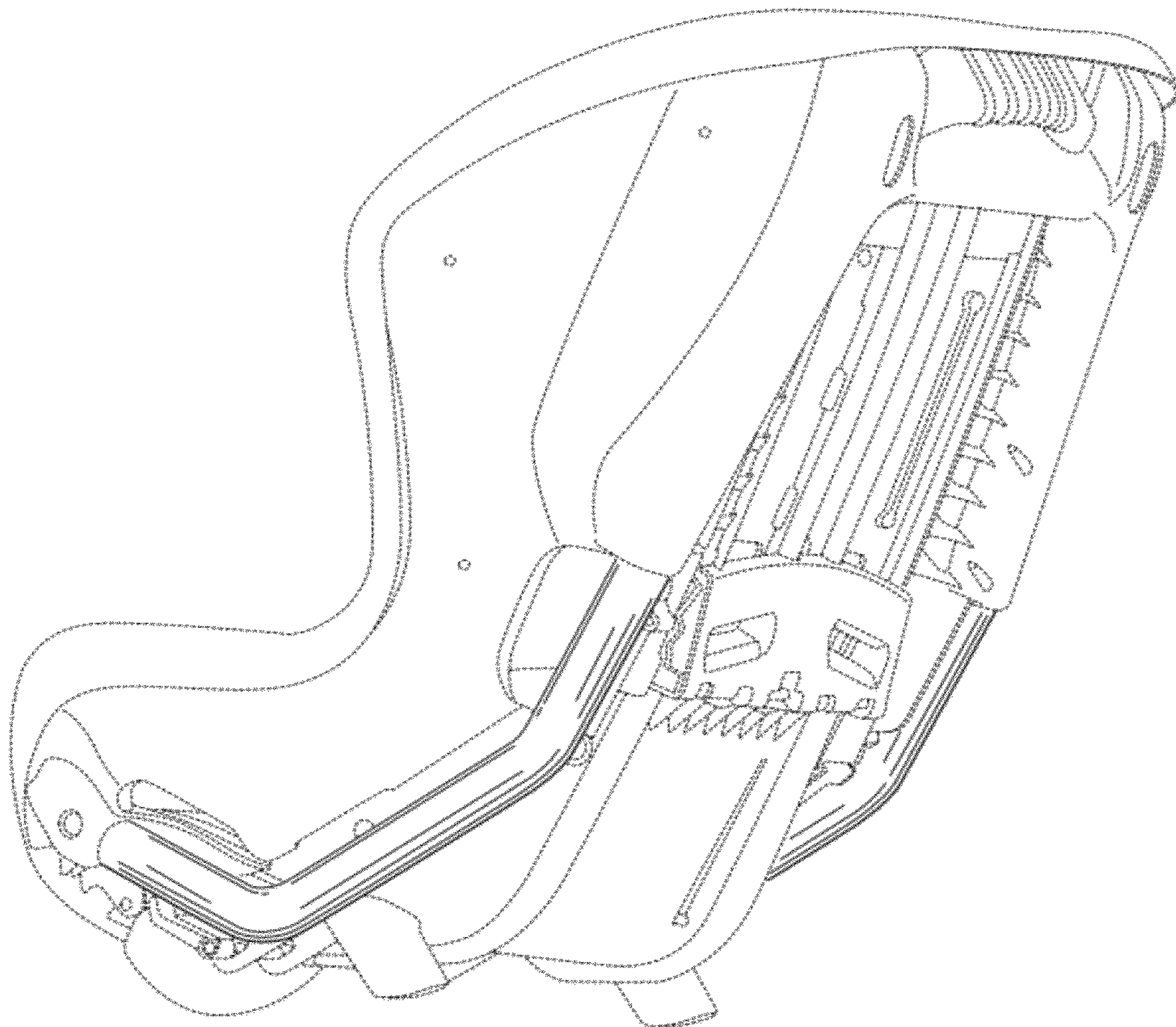


FIG. 12

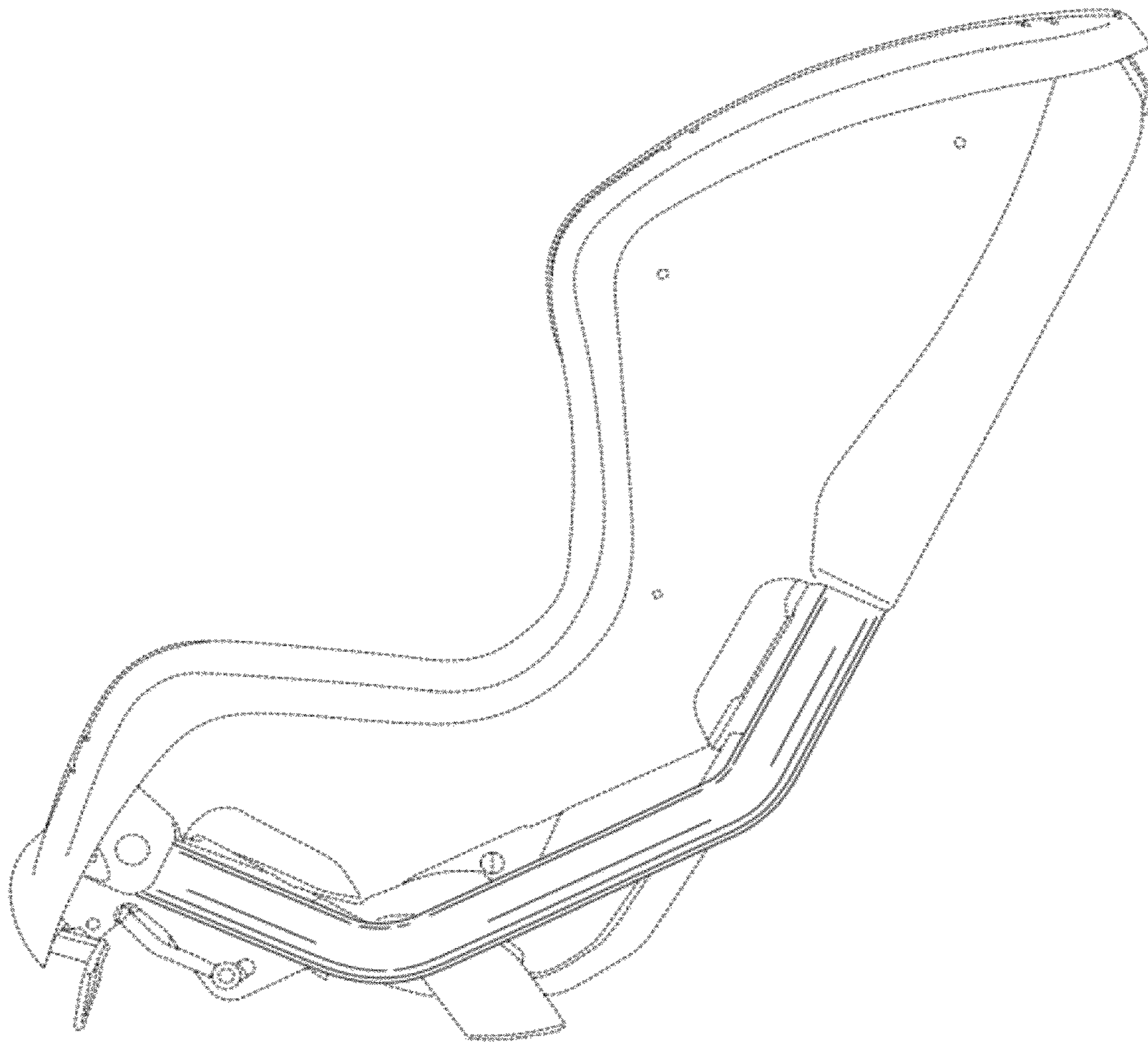


FIG. 13

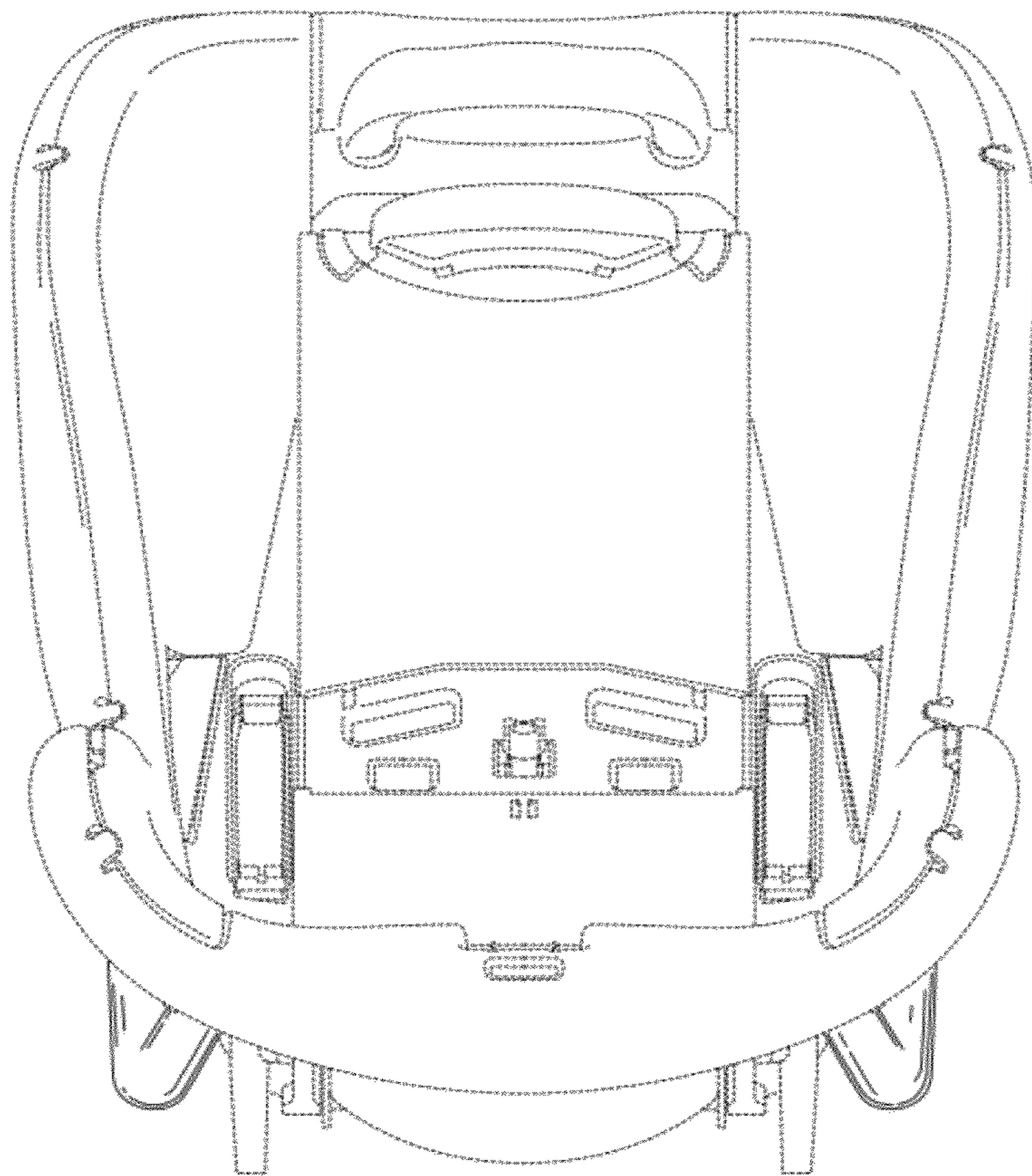


FIG. 14



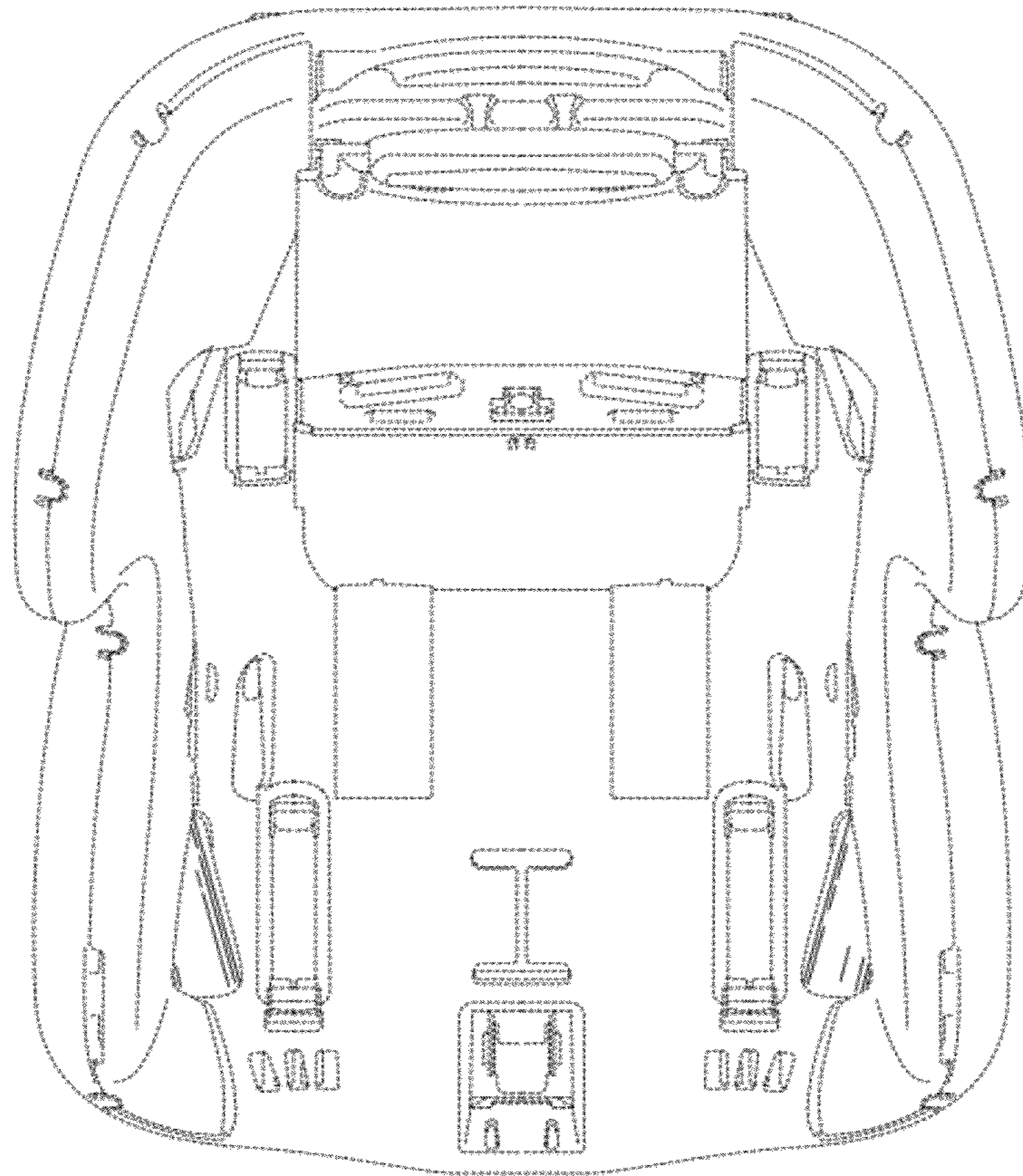


FIG. 15

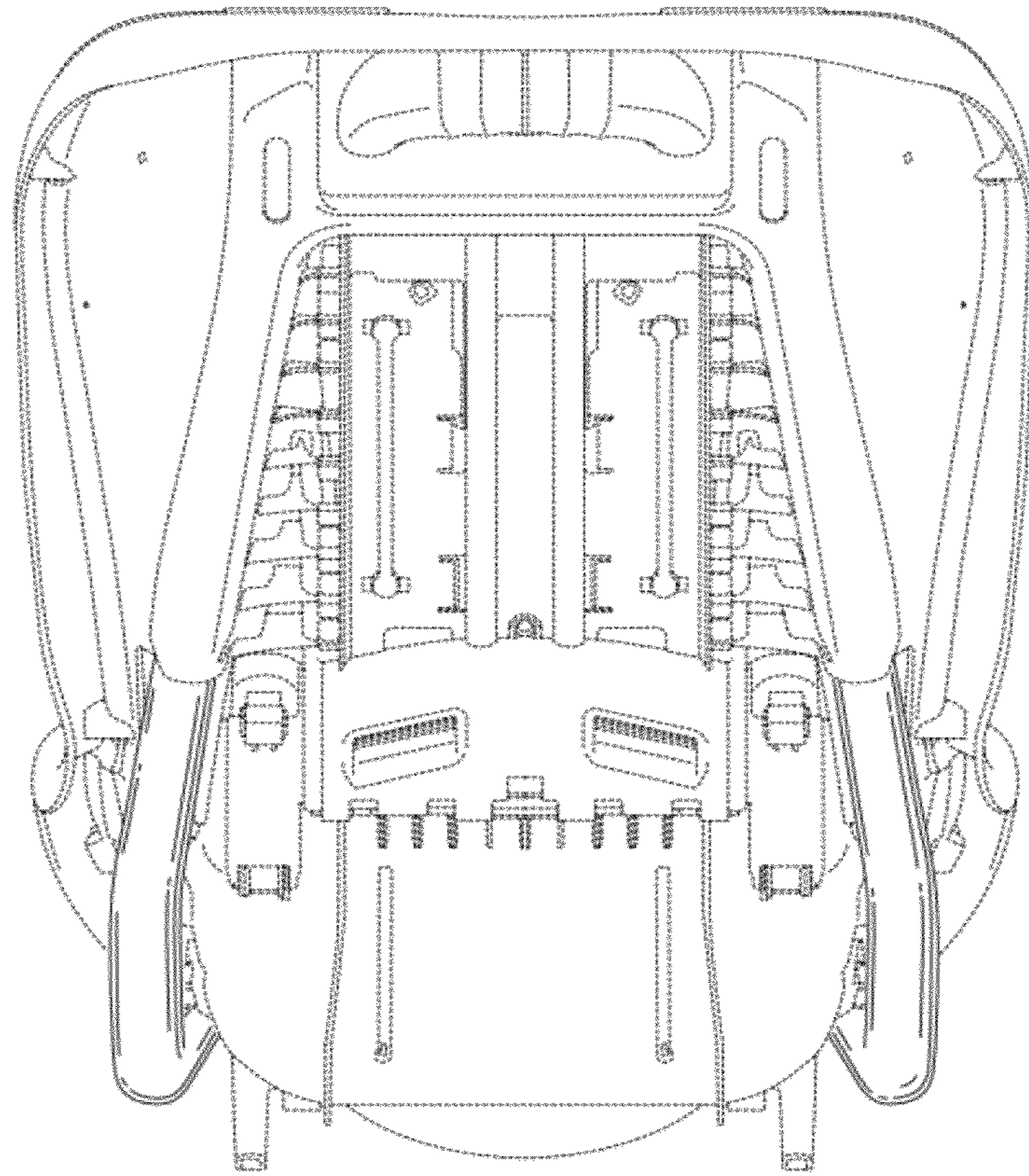


FIG. 16

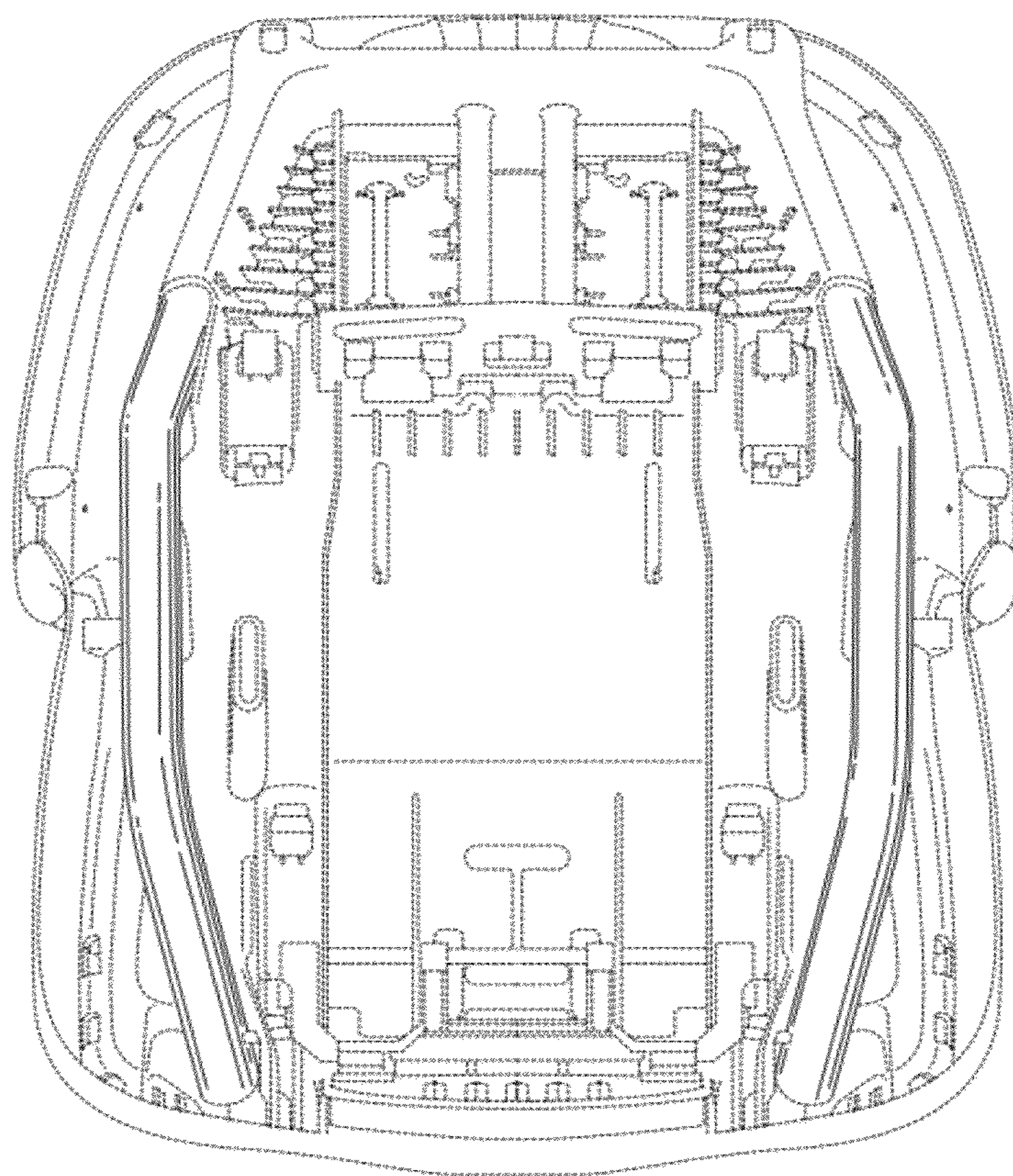
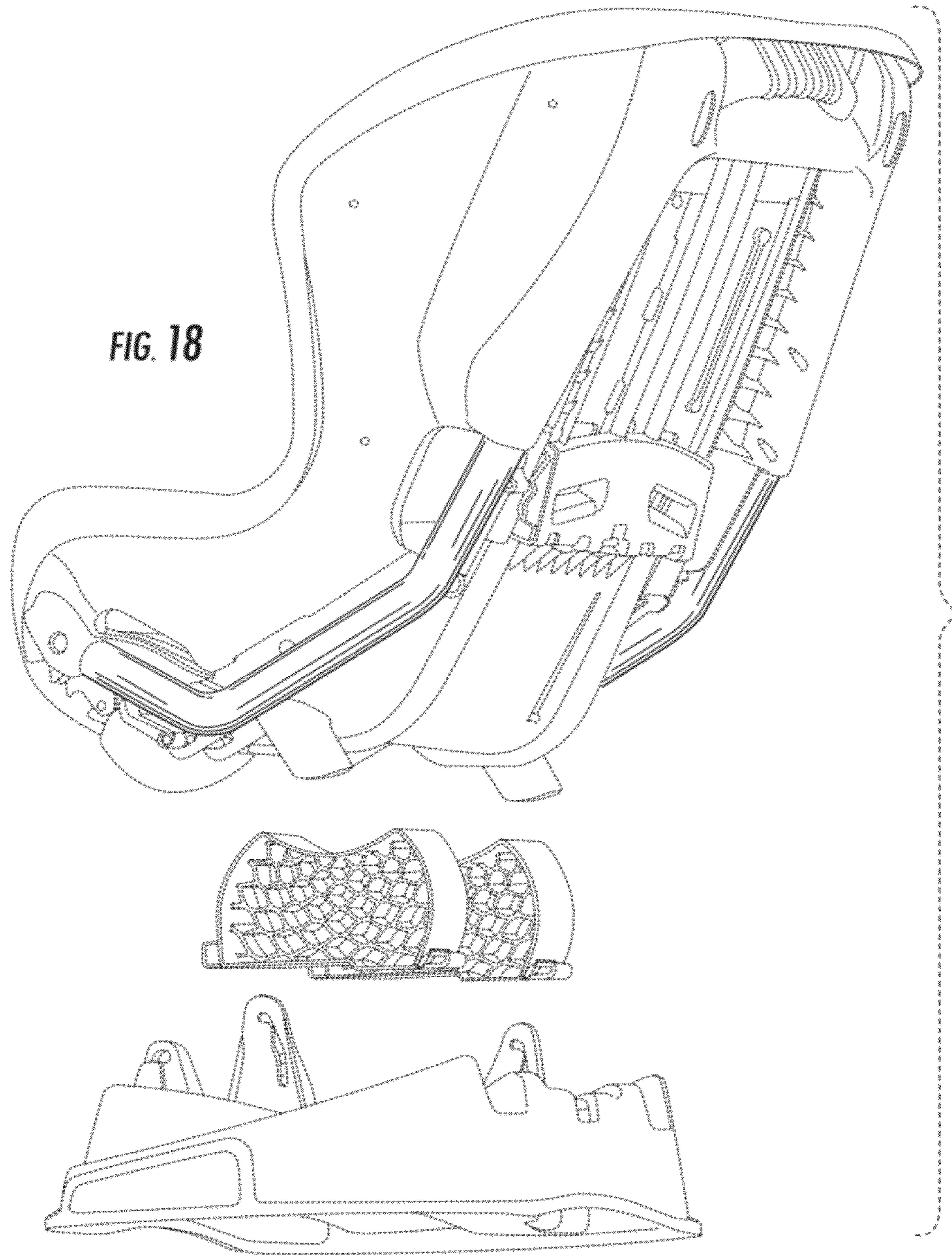


FIG. 17



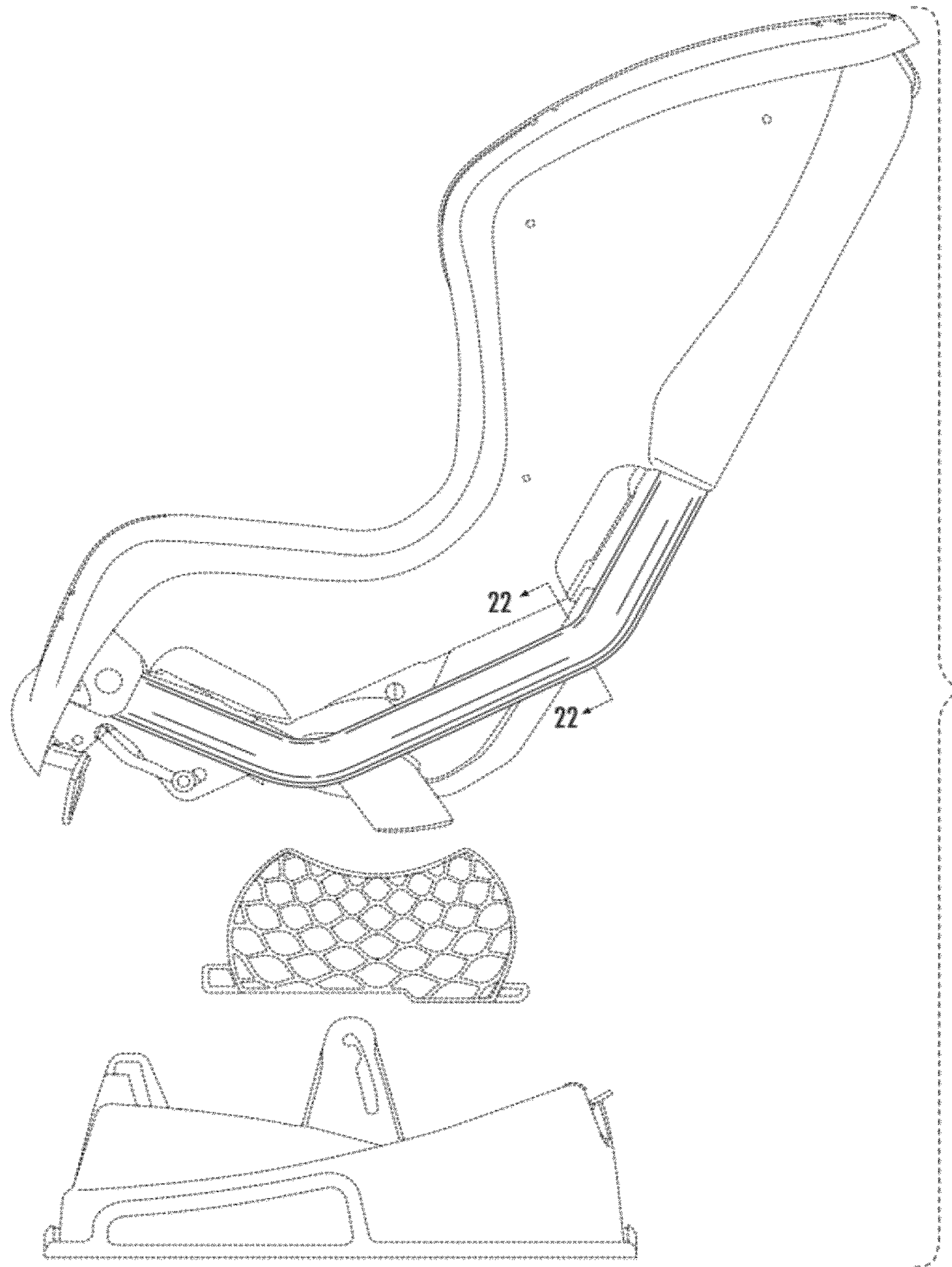


FIG. 19

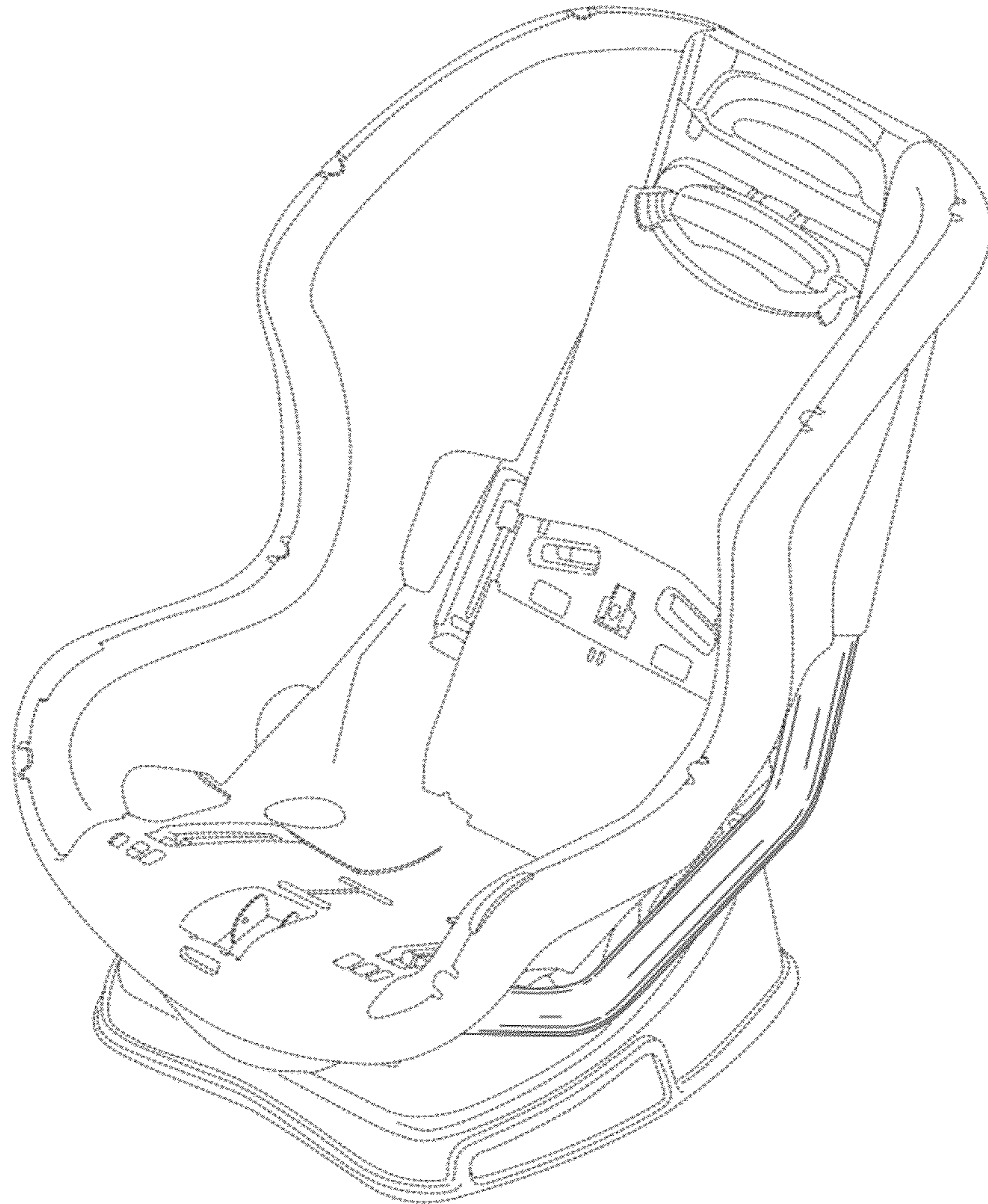


FIG. 20

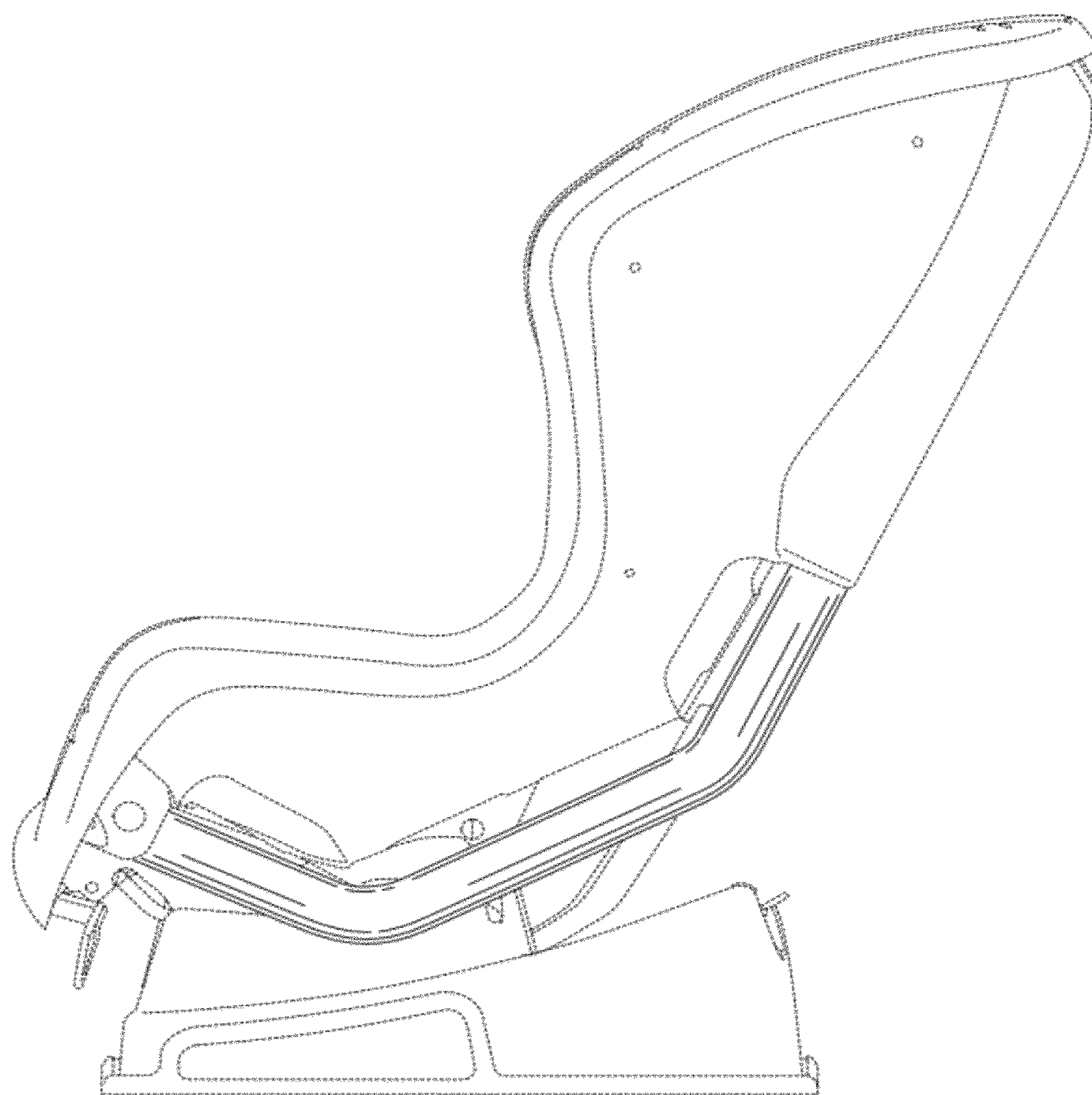
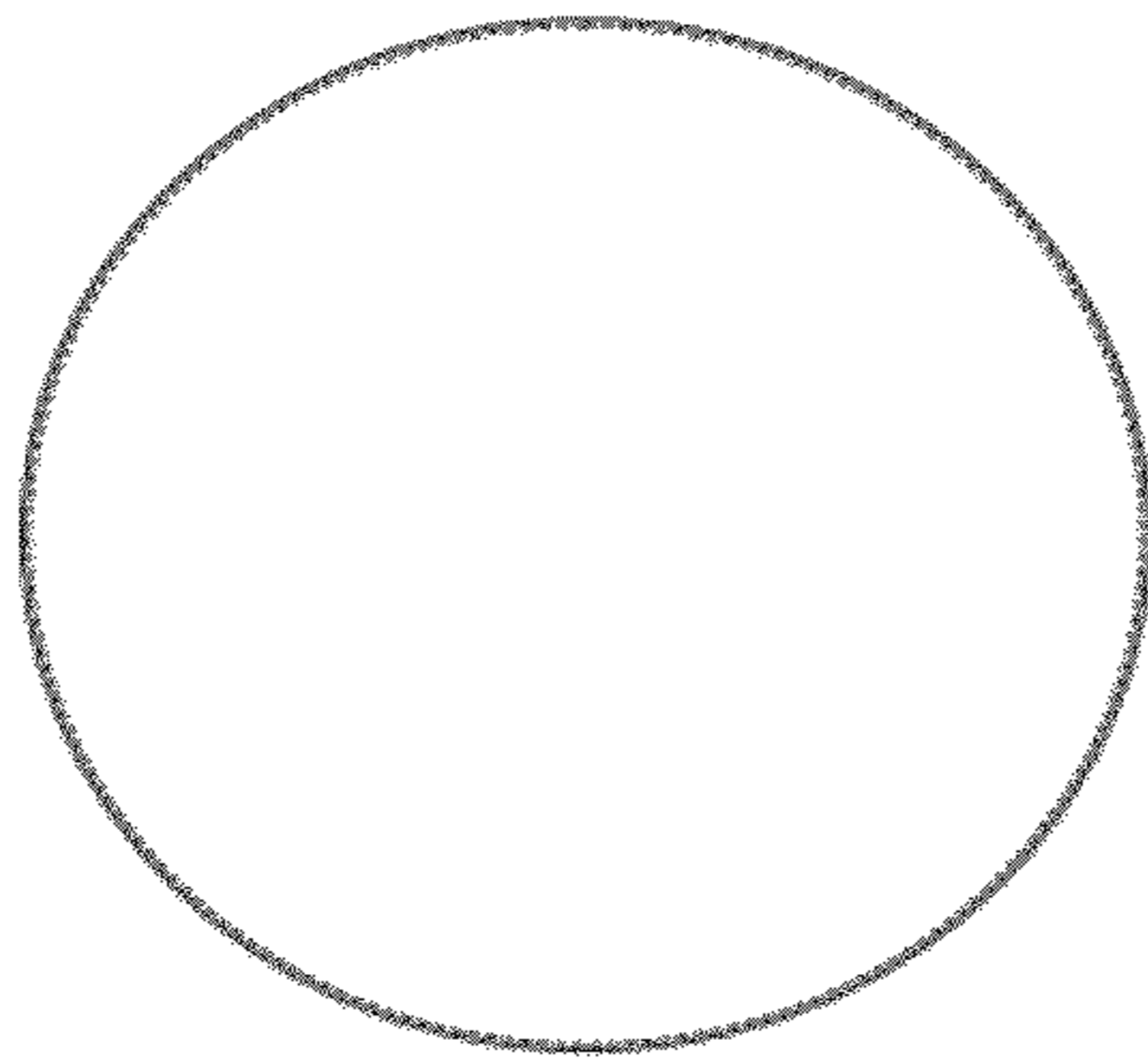


FIG. 21



**FIG. 22**