



US00D660592S

(12) **United States Design Patent**
Mecchella

(10) **Patent No.:** **US D660,592 S**

(45) **Date of Patent:** **** May 29, 2012**

(54) **CARRYING CASE WITH FLAP CLOSURE**

Primary Examiner — Sheryl Lane

(75) **Inventor:** **Monica Liane Mecchella**, San Francisco, CA (US)

(74) *Attorney, Agent, or Firm* — Lee & Hayes, PLLC

(73) **Assignee:** **Amazon Technologies, Inc.**, Reno, NV (US)

(57) **CLAIM**

(**) **Term:** **14 Years**

The ornamental design for a carrying case with flap closure, as shown and described.

(21) **Appl. No.:** **29/400,511**

(22) **Filed:** **Aug. 29, 2011**

DESCRIPTION

(51) **LOC (9) Cl.** **03-01**

(52) **U.S. Cl.** **D3/299**

(58) **Field of Classification Search** D3/299,
D3/273, 293, 900, 265, 225, 303, 247, 253;
206/216; 150/131–132, 140, 141
See application file for complete search history.

FIG. 1 is a perspective view of a carrying case with flap closure;

FIG. 2 is a top plan view of the carrying case with flap closure of FIG. 1;

FIG. 3 is a bottom plan view of the carrying case with flap closure of FIG. 1;

FIG. 4 is a front elevation view of the carrying case with flap closure of FIG. 1;

FIG. 5 is a back elevation view of the carrying case with flap closure of FIG. 1;

FIG. 6 is a left-side elevation view of the carrying case with flap closure of FIG. 1; and,

FIG. 7 is a right-side elevation view of the carrying case with flap closure of FIG. 1.

The broken lines, including those used to represent stitching, are directed to unclaimed portions and form no part of the claimed design.

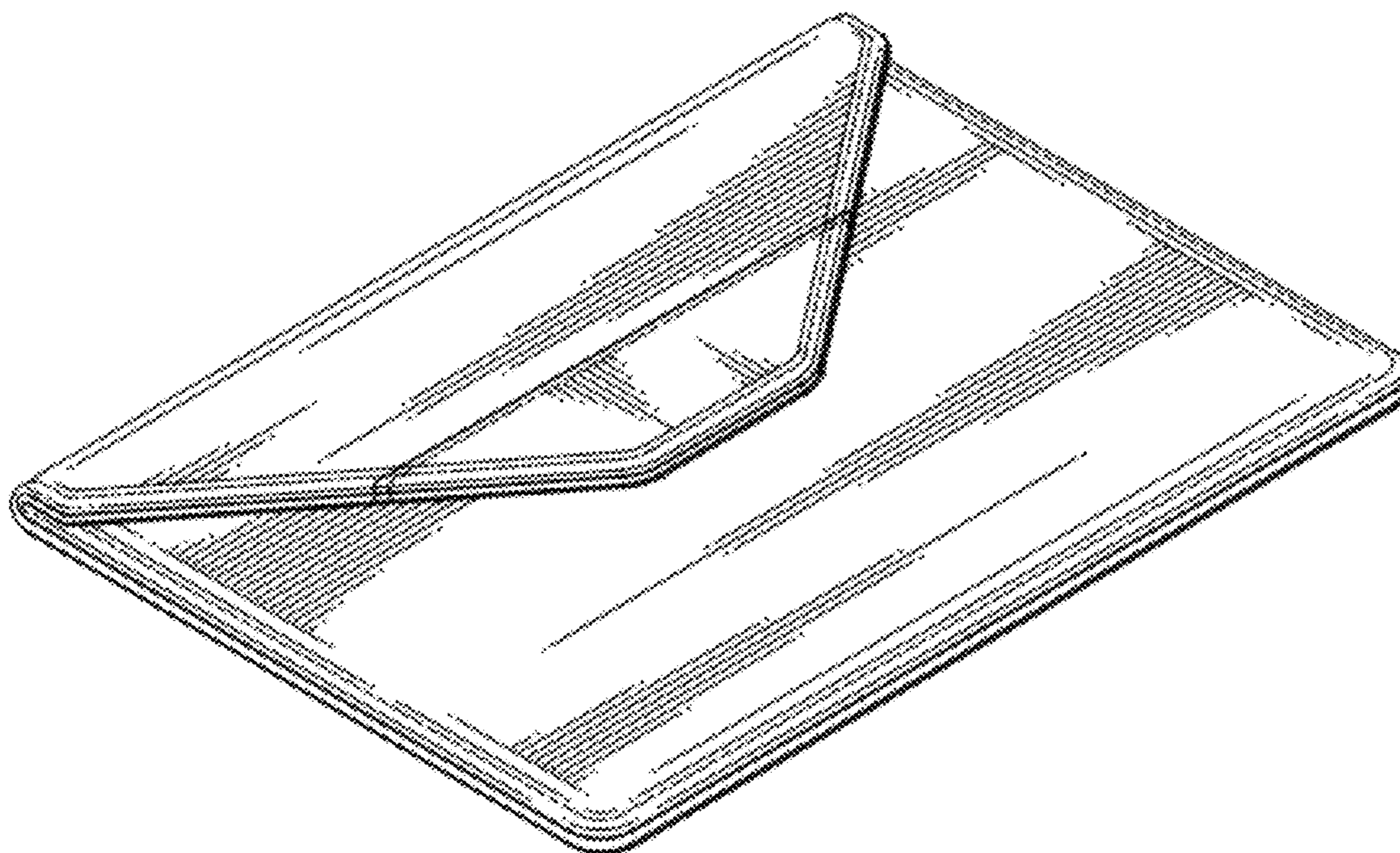
(56) **References Cited**

U.S. PATENT DOCUMENTS

966,352 A *	8/1910	Pemberton	150/140
D263,095 S *	2/1982	Wajs et al.	D3/299
D308,598 S *	6/1990	Burchett	D3/265
D339,604 S *	9/1993	Gerber-Phinny	D19/3
D379,713 S *	6/1997	MacLean	D3/243
D408,128 S *	4/1999	Sheiner	D3/203.2
D422,406 S *	4/2000	Dweck et al.	D3/247
6,401,889 B1 *	6/2002	McCleskey	190/102
D625,519 S *	10/2010	Lown et al.	D3/299
D643,626 S *	8/2011	Swartz et al.	D3/299
D646,892 S *	10/2011	Littleton	D3/299

* cited by examiner

1 Claim, 3 Drawing Sheets



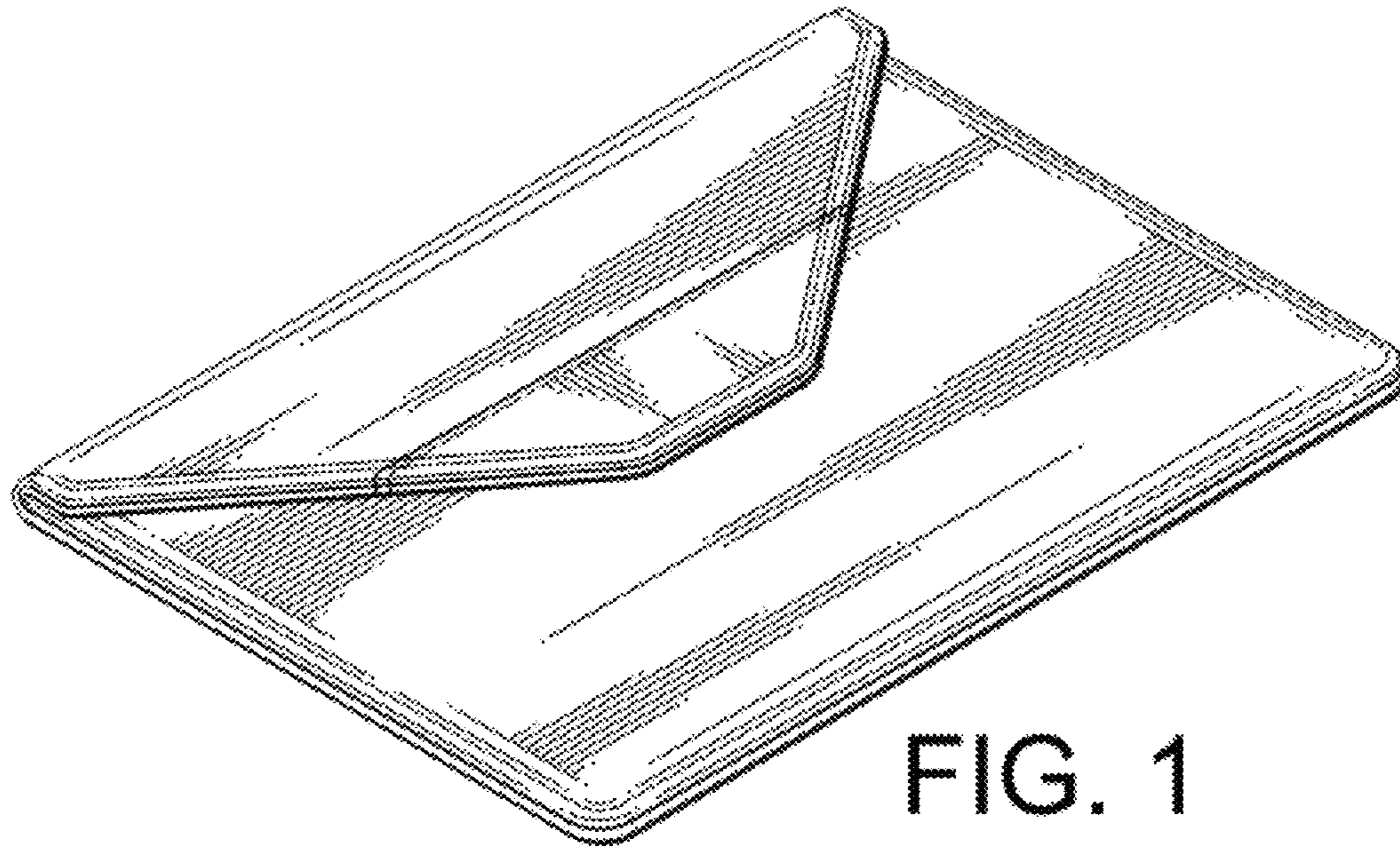


FIG. 1

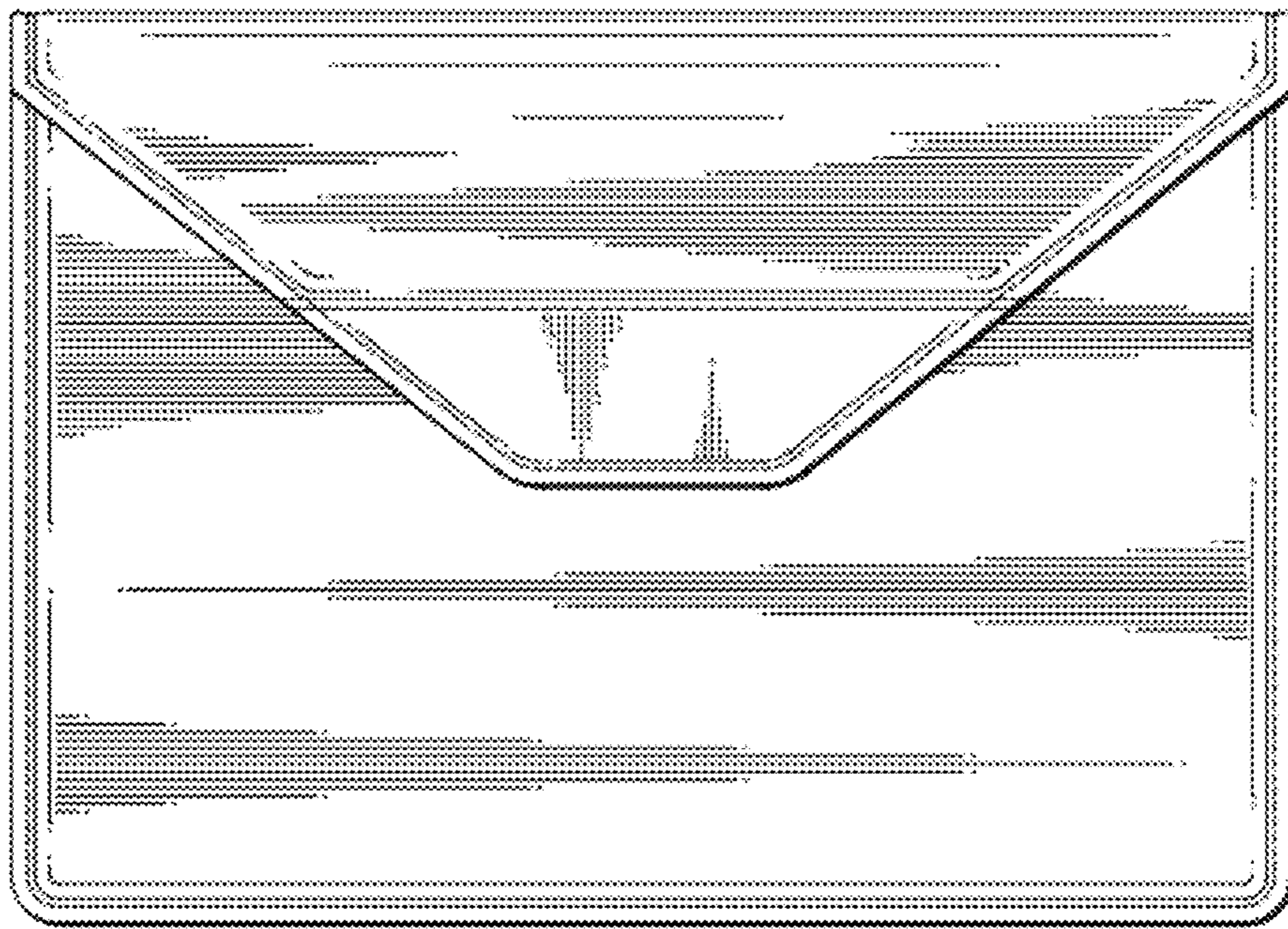


FIG. 2

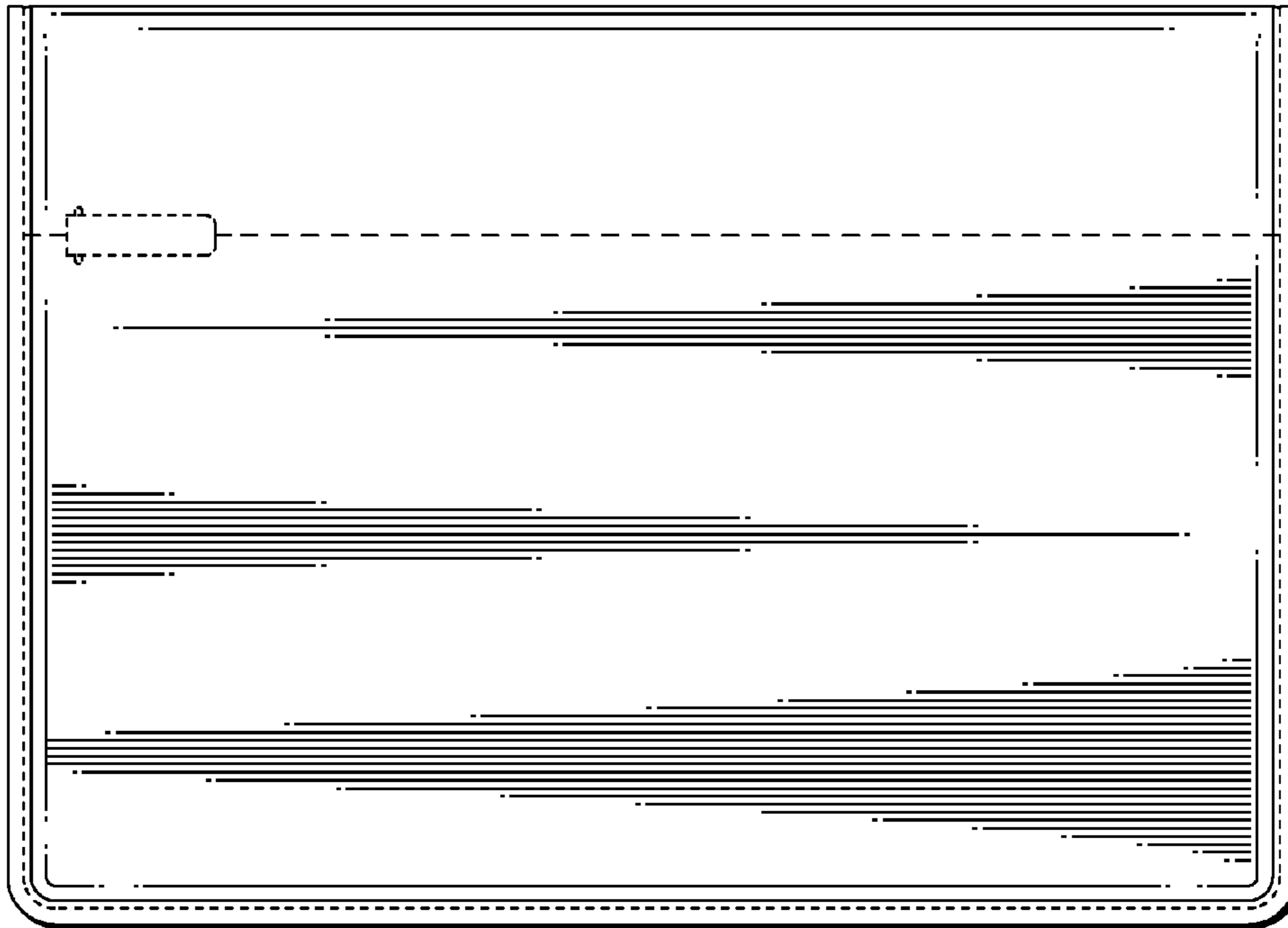


FIG. 3

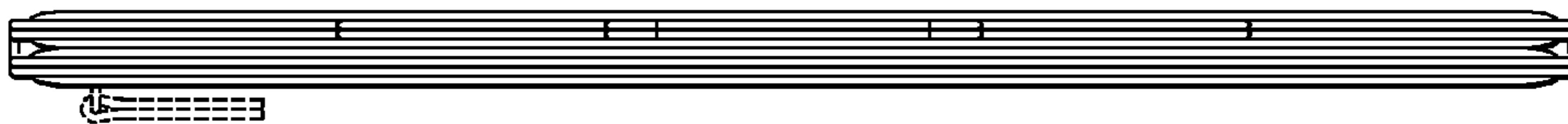


FIG. 4

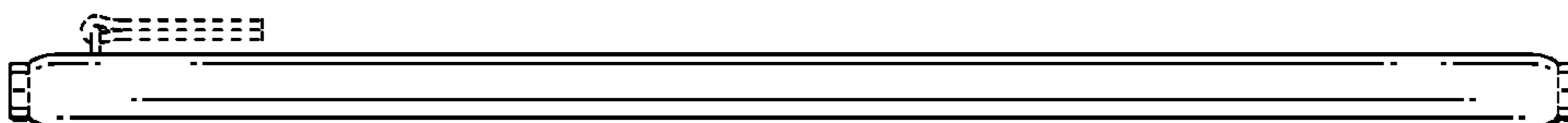


FIG. 5



FIG. 6

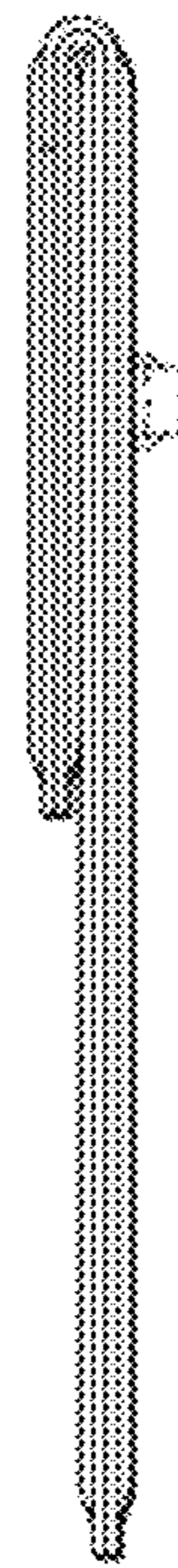


FIG. 7