



US00D660590S

(12) **United States Design Patent**
Seidel

(10) **Patent No.:** **US D660,590 S**

(45) **Date of Patent:** **** May 29, 2012**

(54) **CONTACT LENS CASE WITH MIRROR**

(75) Inventor: **Eric M. Seidel**, Farmington Hills, MI
(US)

(73) Assignee: **M. Jacob & Sons**, Farmington Hills, MI
(US)

(**) Term: **14 Years**

(21) Appl. No.: **29/385,111**

(22) Filed: **Feb. 9, 2011**

(51) **LOC (9) Cl.** **03-01**

(52) **U.S. Cl.** **D3/264**

(58) **Field of Classification Search** D3/215,
D3/219, 229, 233, 249, 264, 265, 266, 267,
D3/299; D9/314, 451; D16/130; D26/138;
D28/76-84; 24/3.3, 3.11, 36; 206/5, 5.1,
206/581, 823; 211/85.1; 248/205.3, 206.2,
248/229.6, 231.54, 309.1, 316.7, 902

See application file for complete search history.

(56) **References Cited**

U.S. PATENT DOCUMENTS

D27,622 S * 9/1897 Zoerb D3/265
D49,217 S * 6/1916 King D3/265
3,052,246 A * 9/1962 Beard 134/155
D272,297 S * 1/1984 Thomas et al. D3/264

D316,932 S * 5/1991 Escher, Jr. D3/265
D341,482 S * 11/1993 McMillan D3/265
D366,361 S * 1/1996 Kanner et al. D3/264
D414,036 S * 9/1999 Conway D3/264
D484,693 S * 1/2004 Au D3/265
D528,299 S * 9/2006 Kim D3/294
D540,035 S * 4/2007 Gerard et al. D3/264
D547,548 S * 7/2007 Au D3/265
D552,347 S * 10/2007 Kim D3/265

* cited by examiner

Primary Examiner — T. Chase Nelson

Assistant Examiner — Michelle E Wilson

(74) *Attorney, Agent, or Firm* — Carlson, Gaskey & Olds,
P.C.

(57) **CLAIM**

The ornamental design for contact lens case with mirror, as
shown and described.

DESCRIPTION

FIG. 1 is a perspective view of a contact lens case with mirror,
showing my new design;

FIG. 2 is a top view thereof;

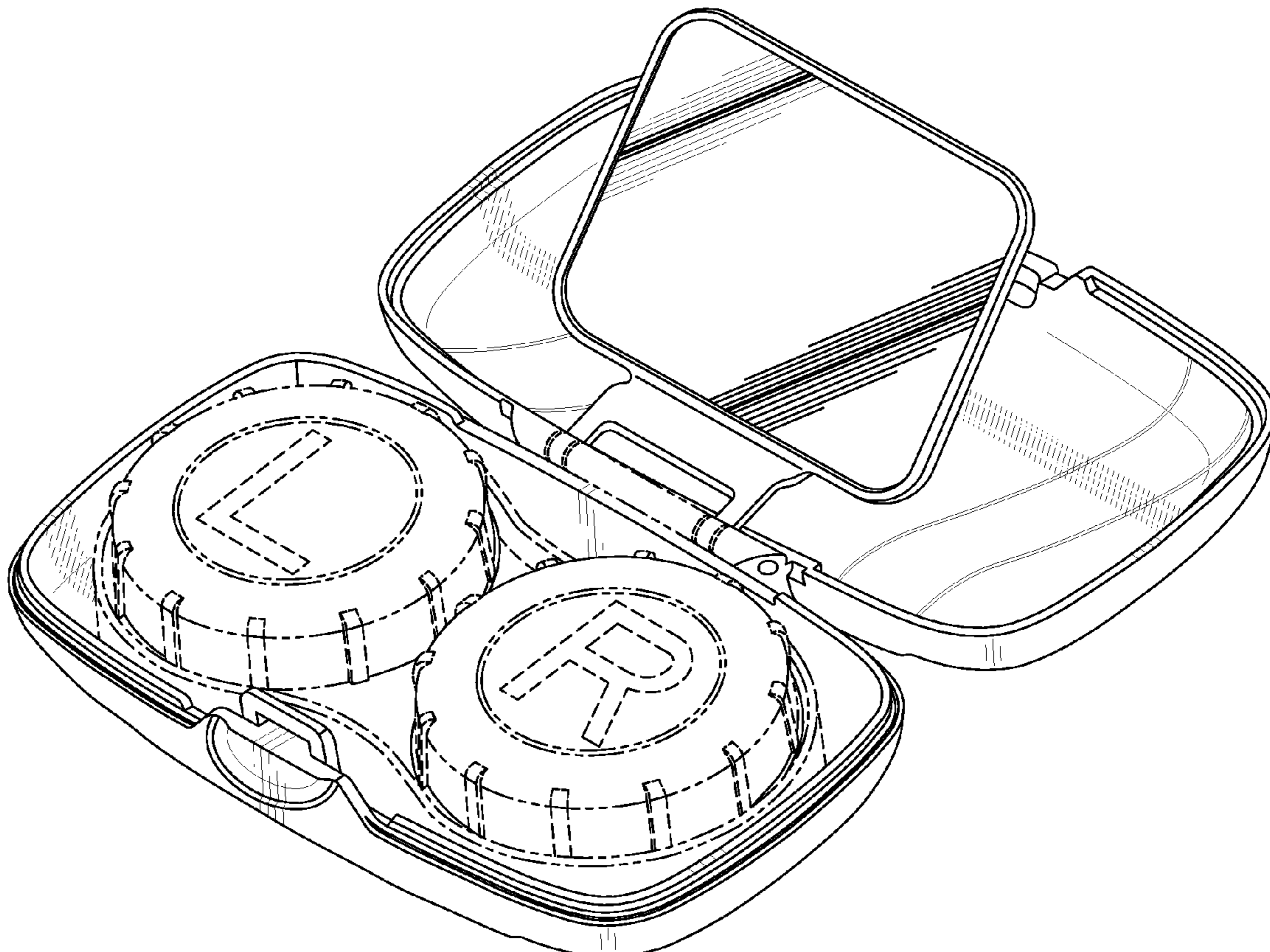
FIG. 3 is a back side view thereof;

FIG. 4 is a front side view thereof; and,

FIG. 5 is a perspective open view thereof.

The broken lines shown in the Drawings for the contact lens
case with mirror are for illustrative purposes only and form no
part of the claimed design.

1 Claim, 2 Drawing Sheets



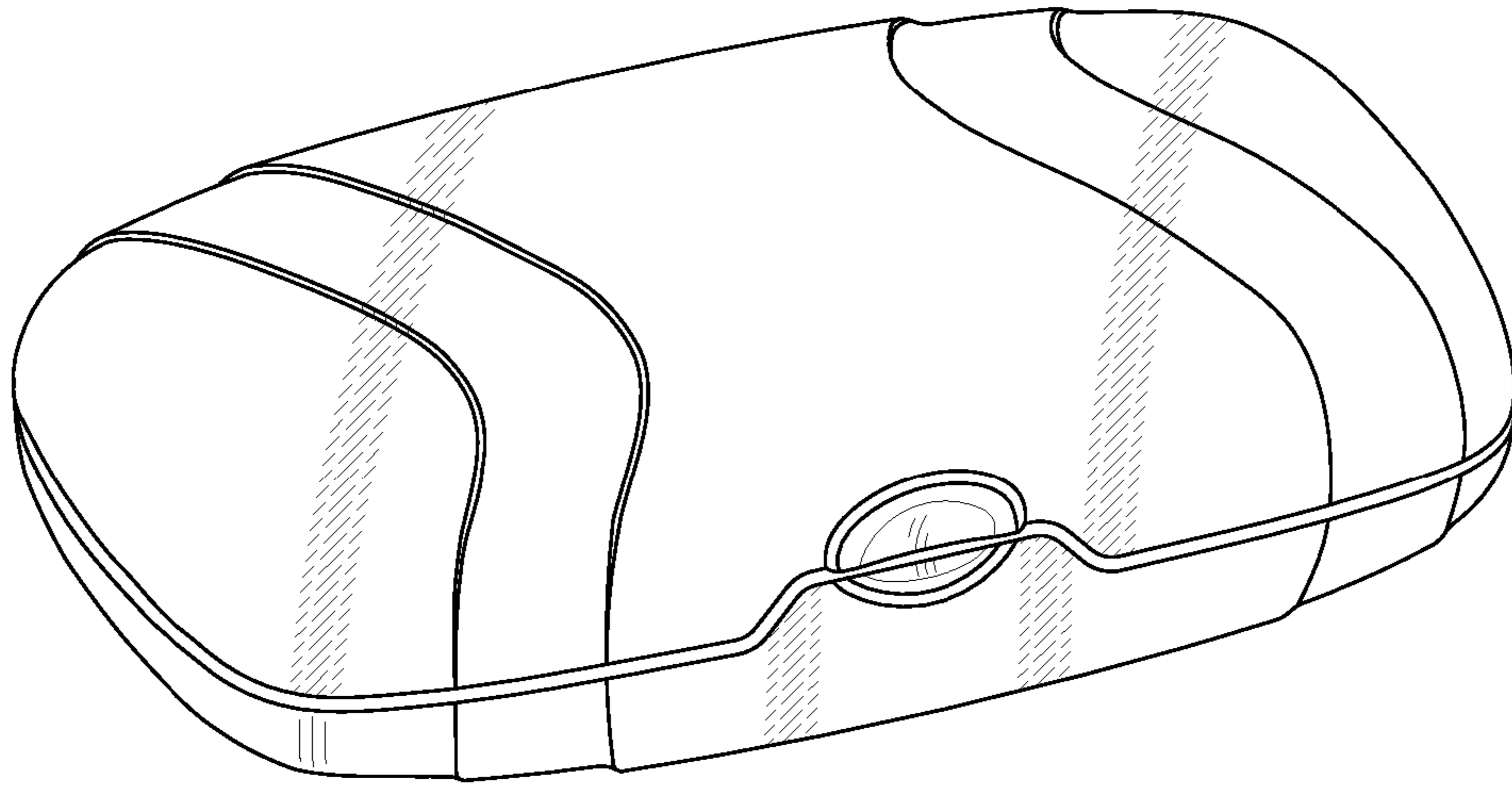


Fig-1

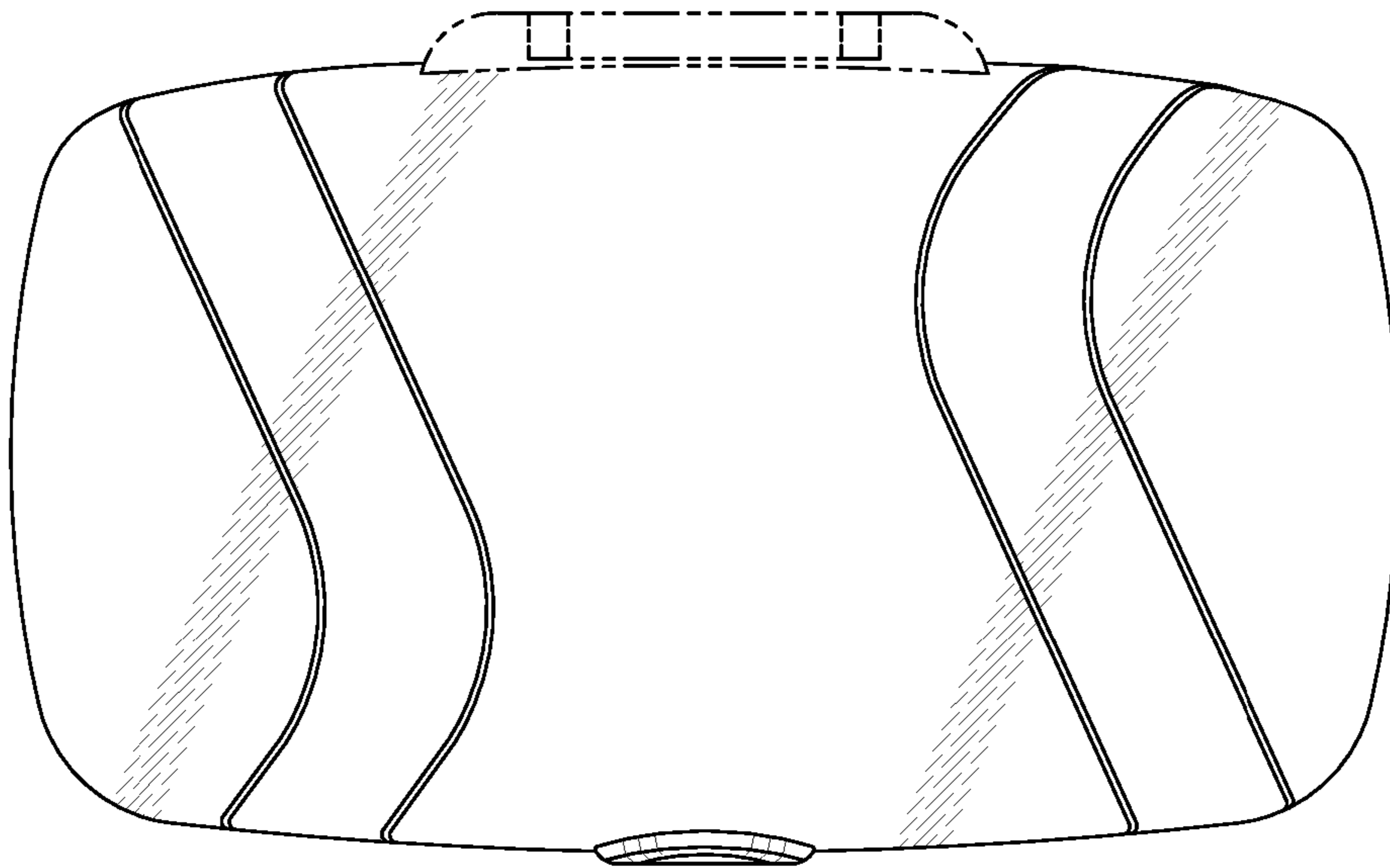


Fig-2

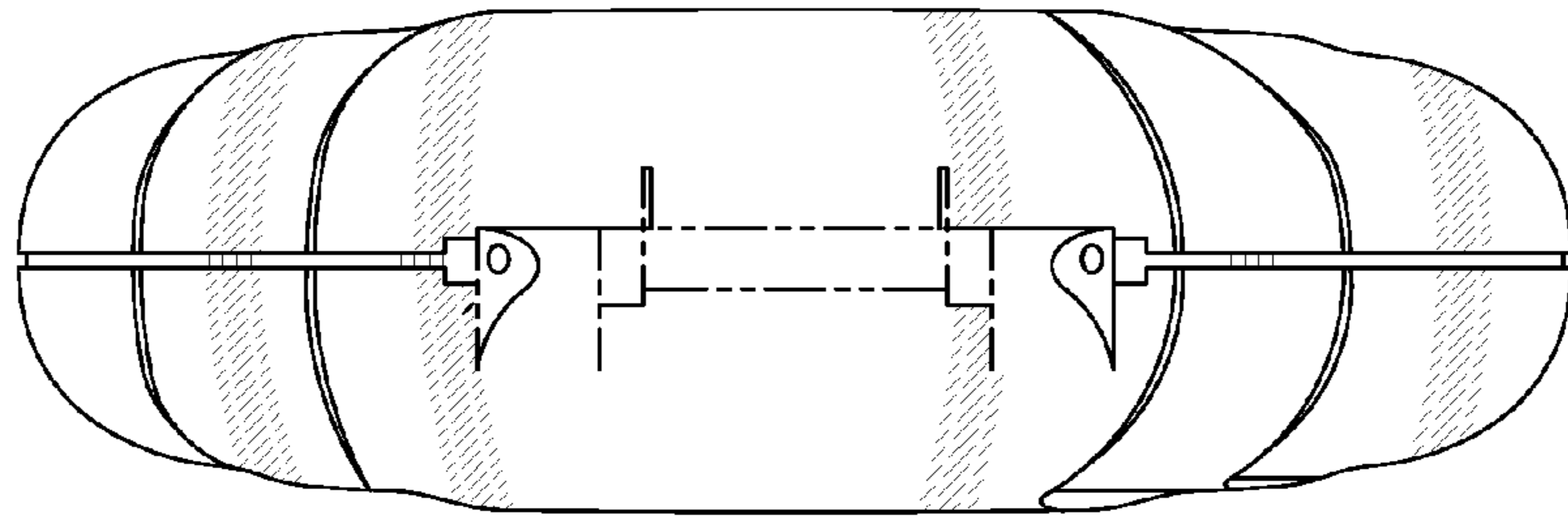


Fig-3

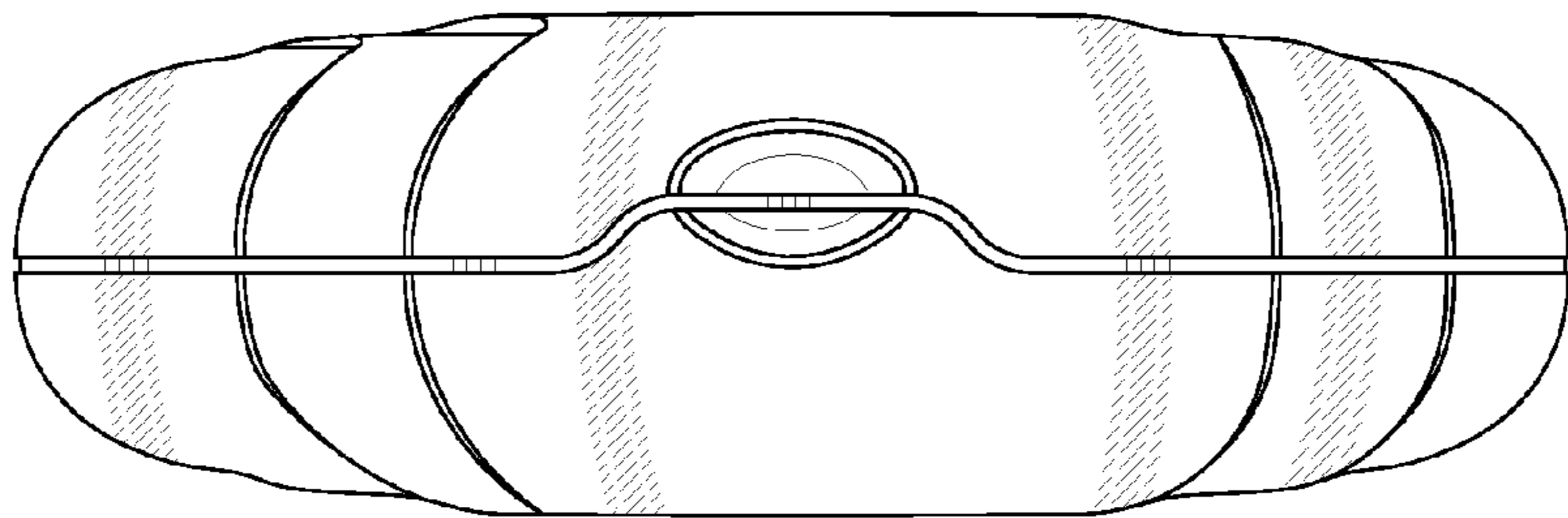


Fig-4

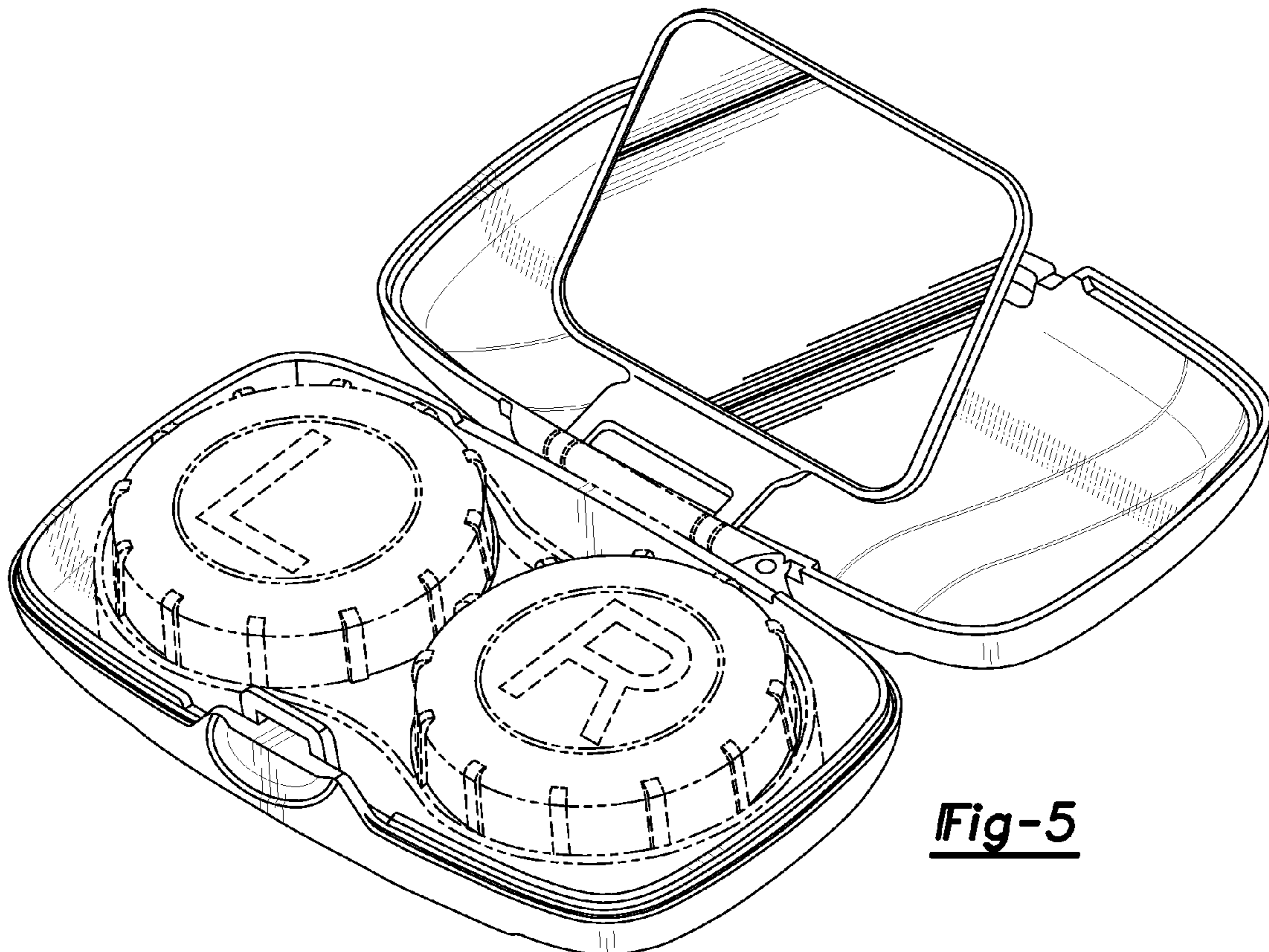


Fig-5