

US00D660589S

(12) **United States Design Patent**
Ayjian

(10) **Patent No.:** **US D660,589 S**

(45) **Date of Patent:** **** May 29, 2012**

(54) **FISHING TACKLE BOX**

(76) Inventor: **Michael E. Ajjian**, Villanova, PA (US)

(**) Term: **14 Years**

(21) Appl. No.: **29/366,171**

(22) Filed: **Jul. 21, 2010**

(51) **LOC (9) Cl.** **03-01**

(52) **U.S. Cl.** **D3/260; D3/279**

(58) **Field of Classification Search** D3/260,
D3/273, 276, 279, 283–284, 287; D7/605;
62/457.1; 206/315.11; 43/54.1–57.3

See application file for complete search history.

(56) **References Cited**

U.S. PATENT DOCUMENTS

5,259,215	A *	11/1993	Rocca	62/371
D378,456	S *	3/1997	Speicher	D34/24
6,076,298	A *	6/2000	Teel	43/54.1
7,155,859	B1 *	1/2007	Brooks	43/54.1
7,389,608	B1 *	6/2008	MacKay	43/57
7,461,477	B2 *	12/2008	Allen	43/54.1
D639,051	S *	6/2011	Dare	D3/260
2007/0051031	A1 *	3/2007	Allen	43/54.1

OTHER PUBLICATIONS

Prior Art Photos of Igloo Cooler, Photos taken from a store selling the cooler, Apr. 2010.

* cited by examiner

Primary Examiner — Jennifer Rivard

(74) *Attorney, Agent, or Firm* — Design IP

(57) **CLAIM**

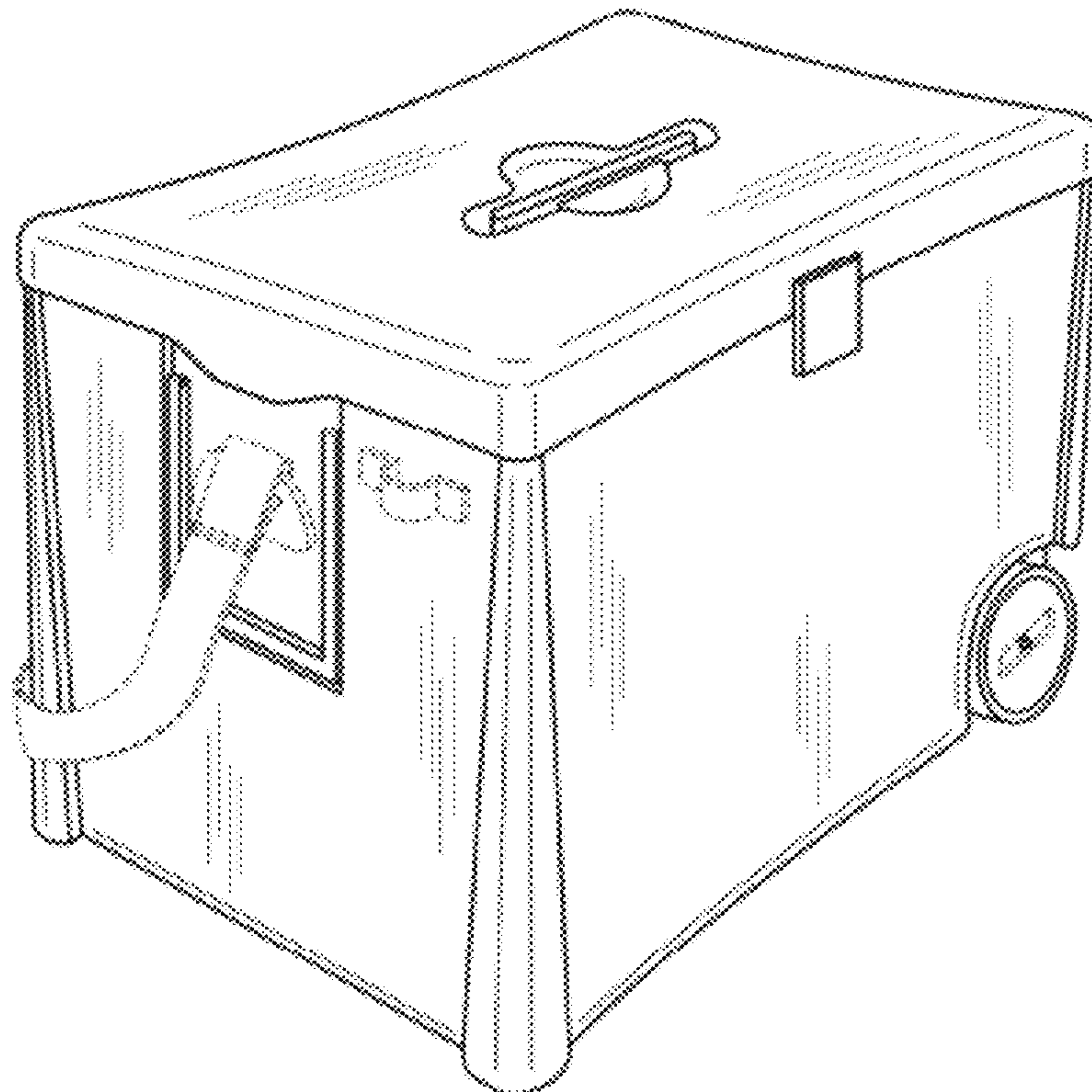
The ornamental design for the fishing tackle box, as shown and described herein.

DESCRIPTION

FIG. 1 is a perspective view of a fishing tackle box showing a first embodiment of my new design; FIG. 2 is a front view thereof; FIG. 3 is a right side view thereof; FIG. 4 is a left side view thereof; FIG. 5 is a rear view thereof; FIG. 6 is a top view thereof; FIG. 7 is a perspective view of the first embodiment, with some environmental subject matter having been removed so that any claimed subject matter obscured thereby is visible; FIG. 8 a right side view thereof; FIG. 9 is a left side view thereof; and, FIG. 10 is a rear view thereof.

The broken lines shown in FIGS. 1-6 represent environmental subject matter and form no part of the claimed design.

1 Claim, 6 Drawing Sheets



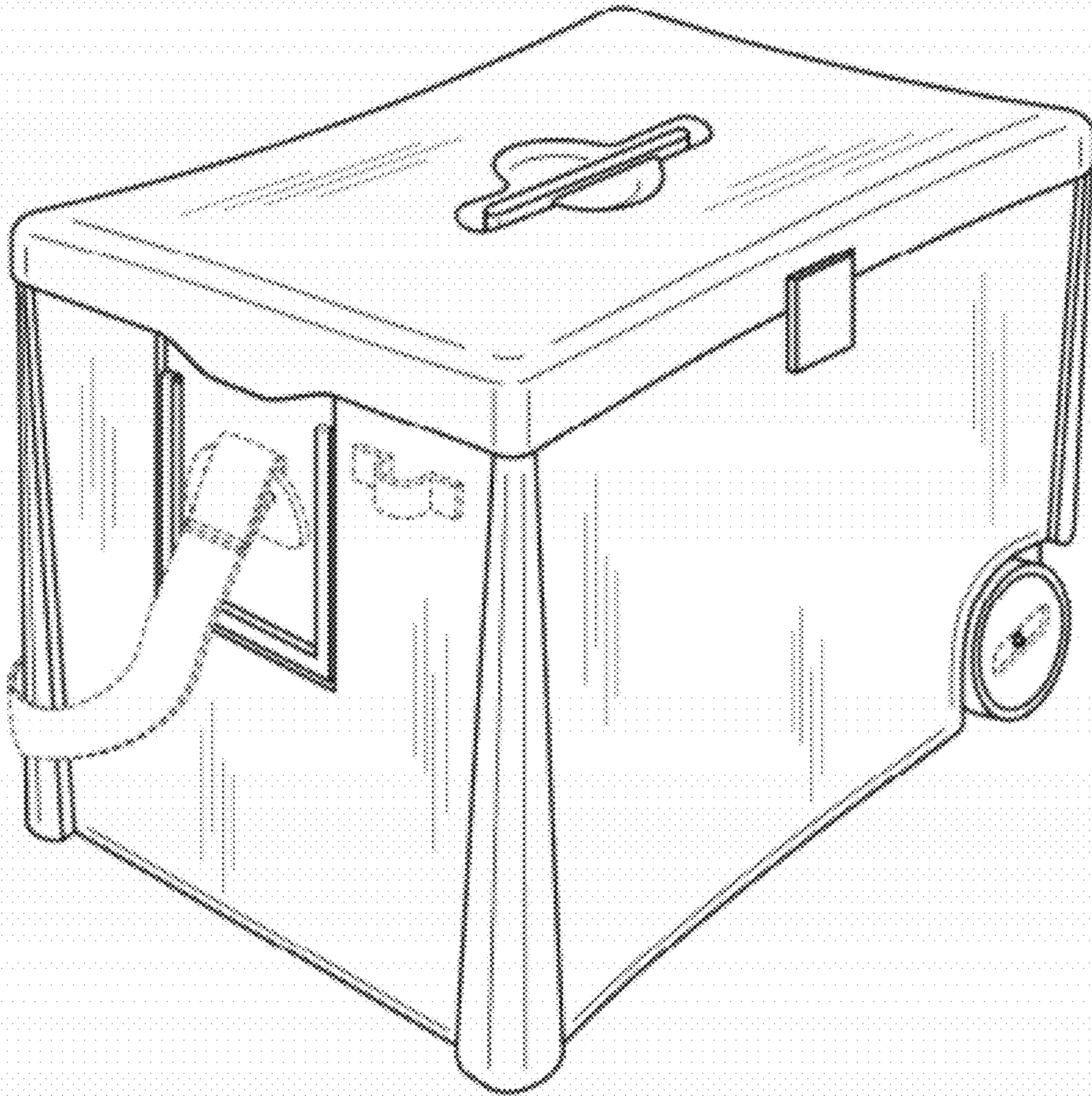


FIG. 1

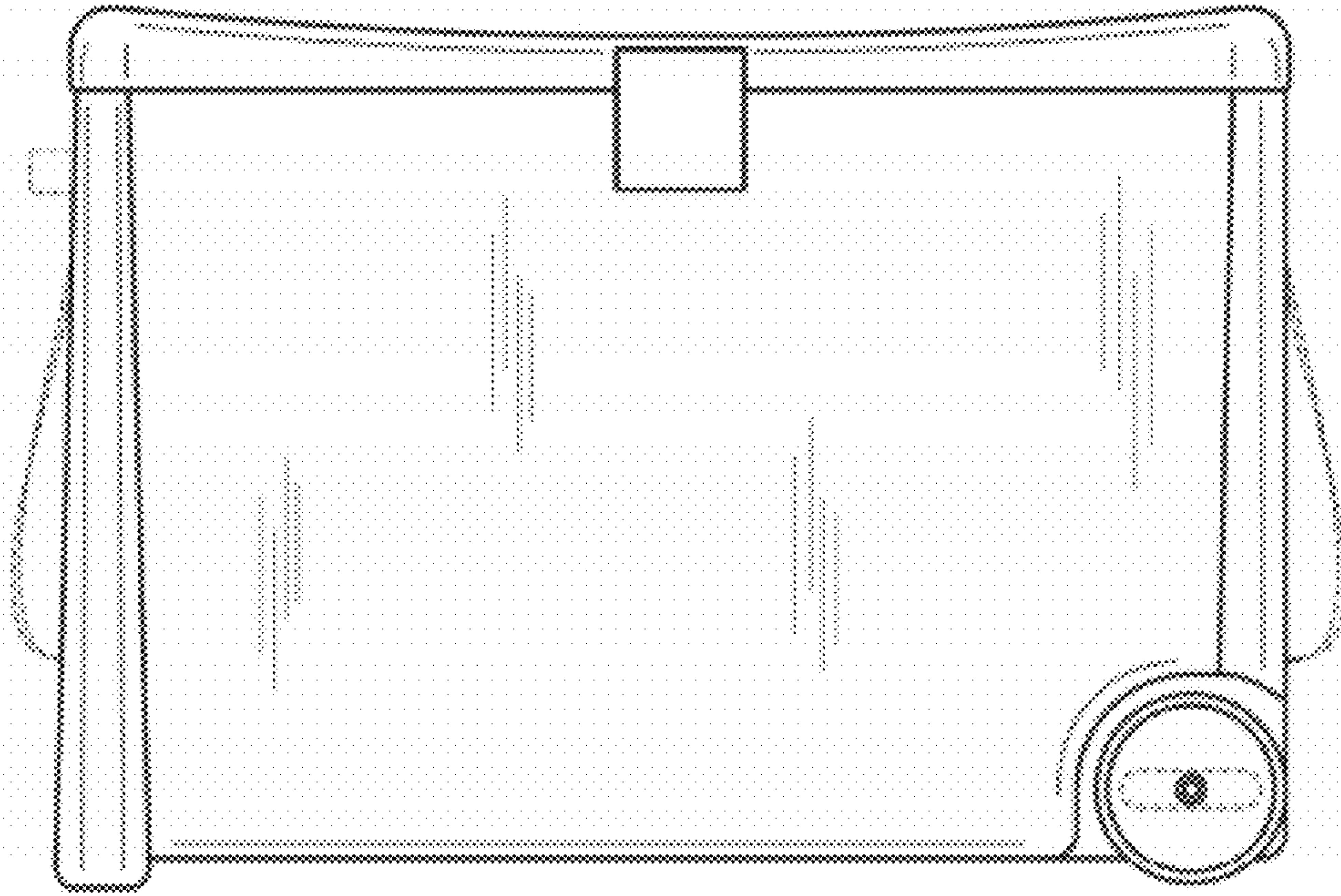


FIG. 2

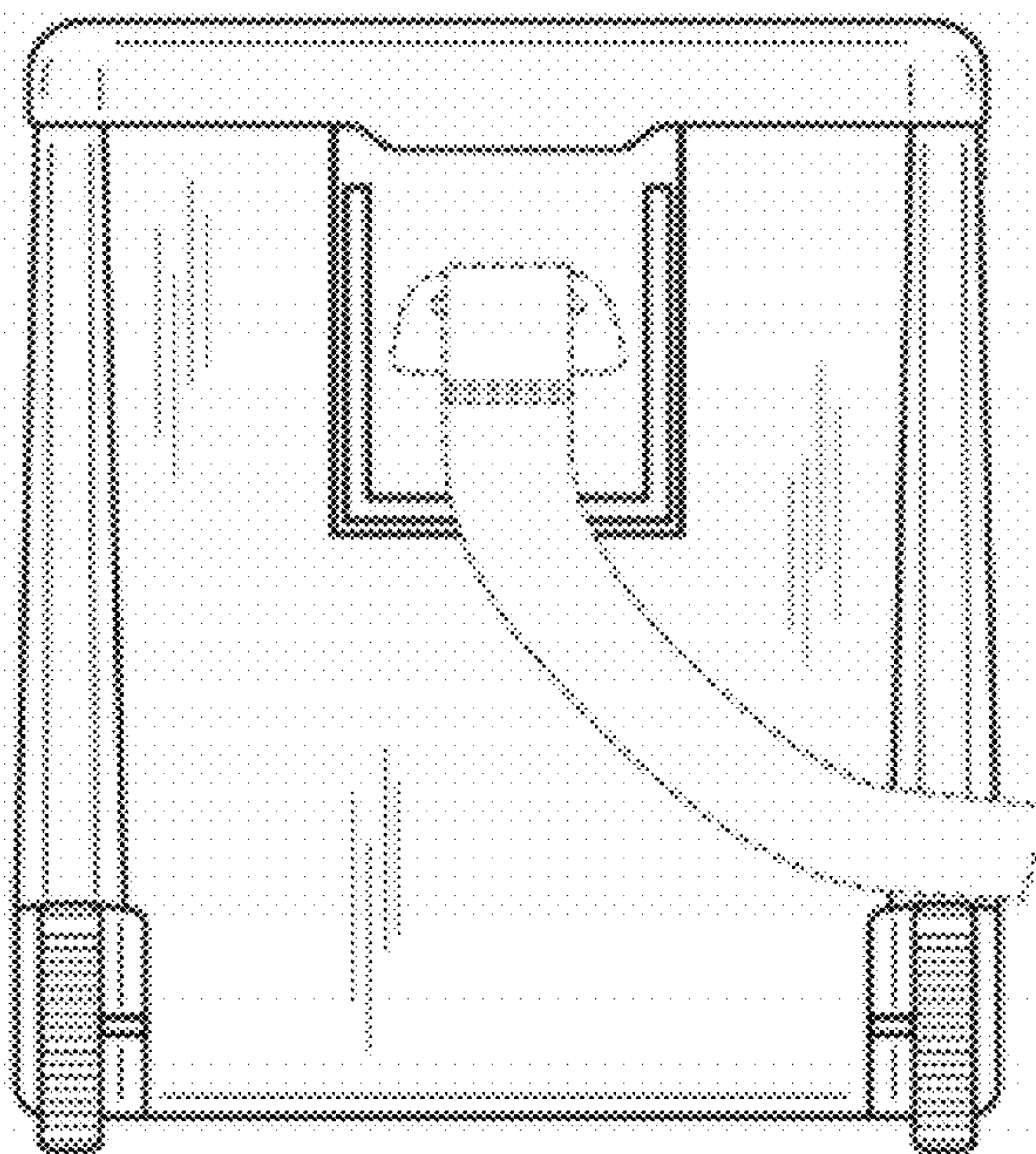


FIG. 3

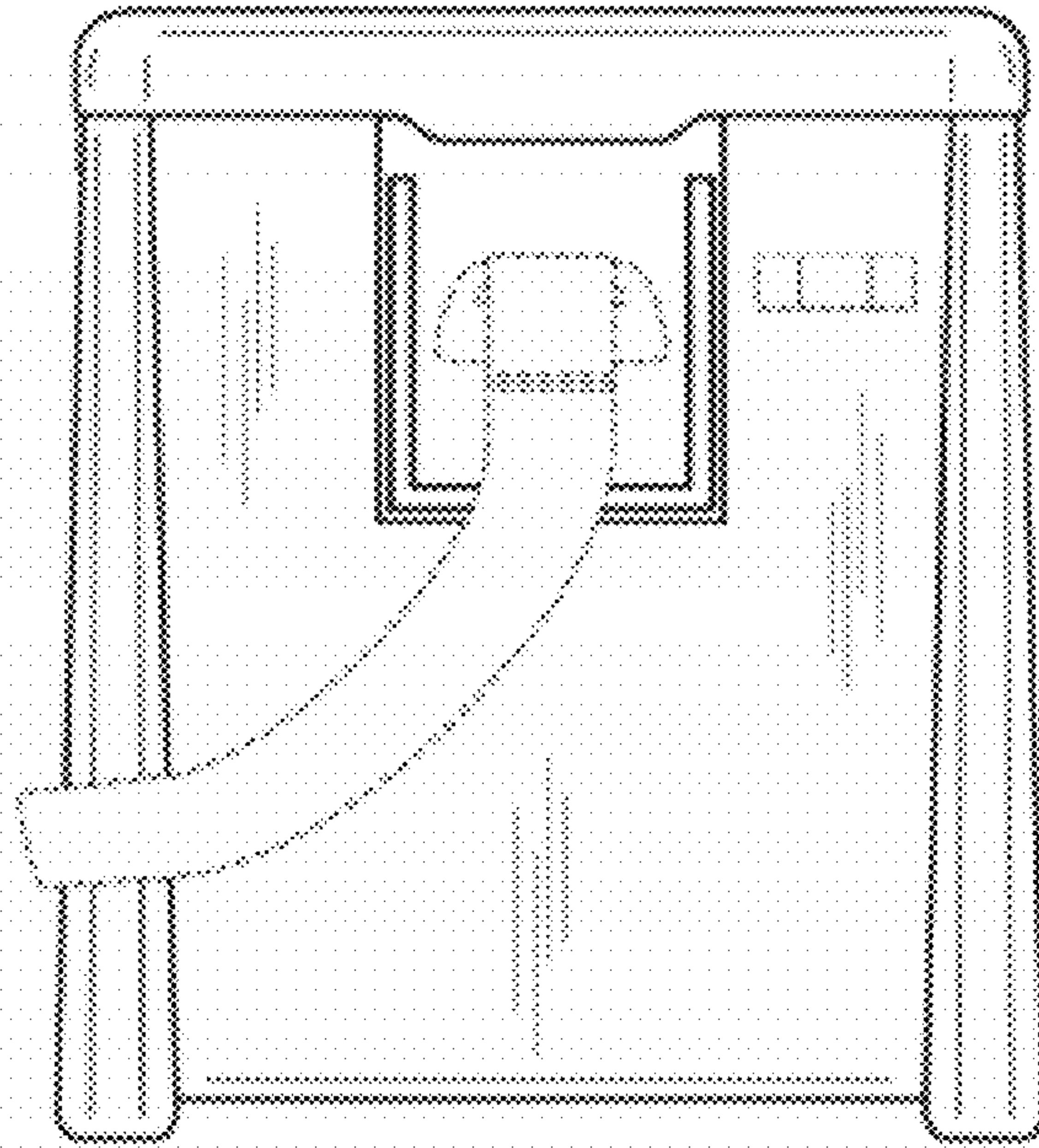


FIG. 4

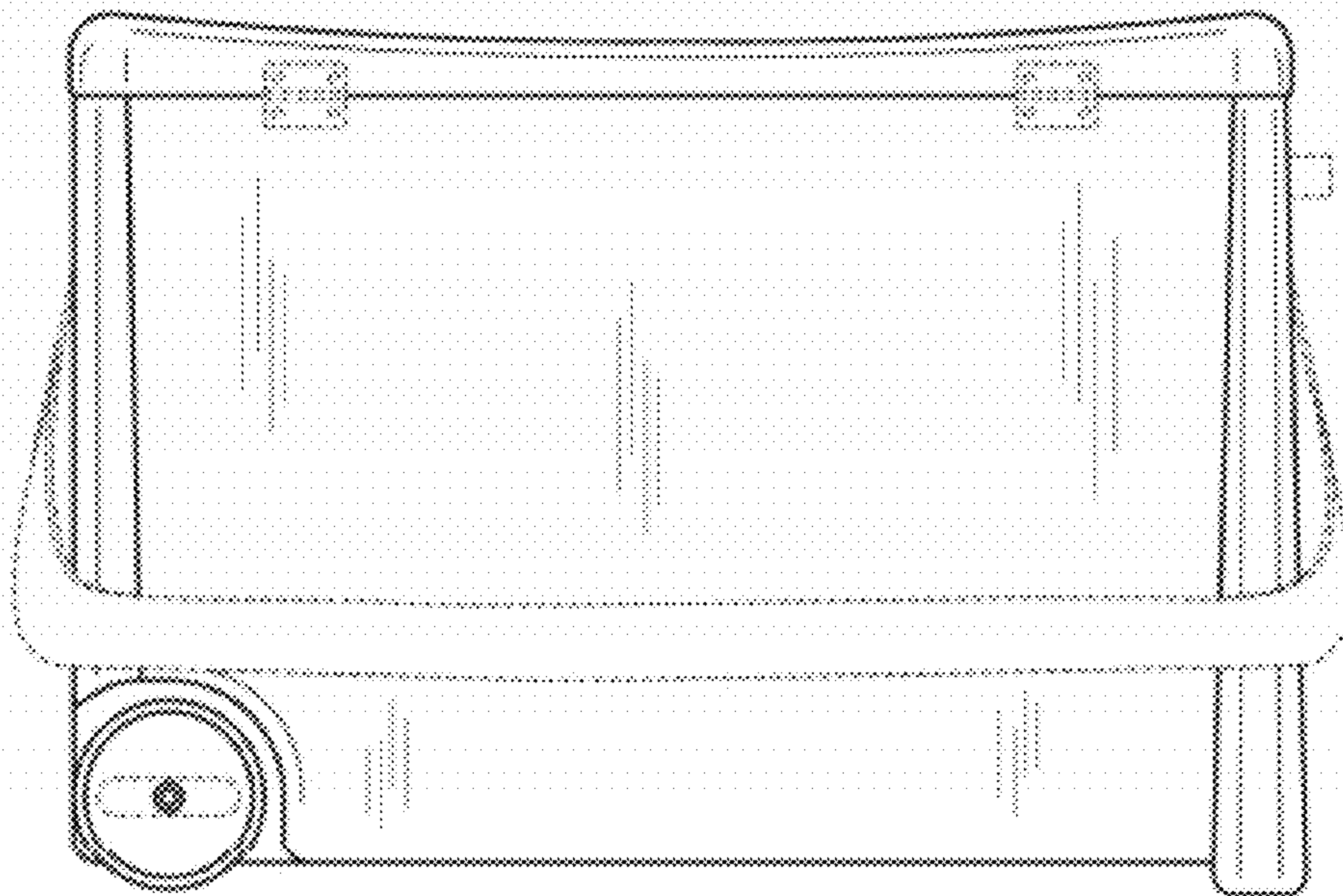


FIG. 5

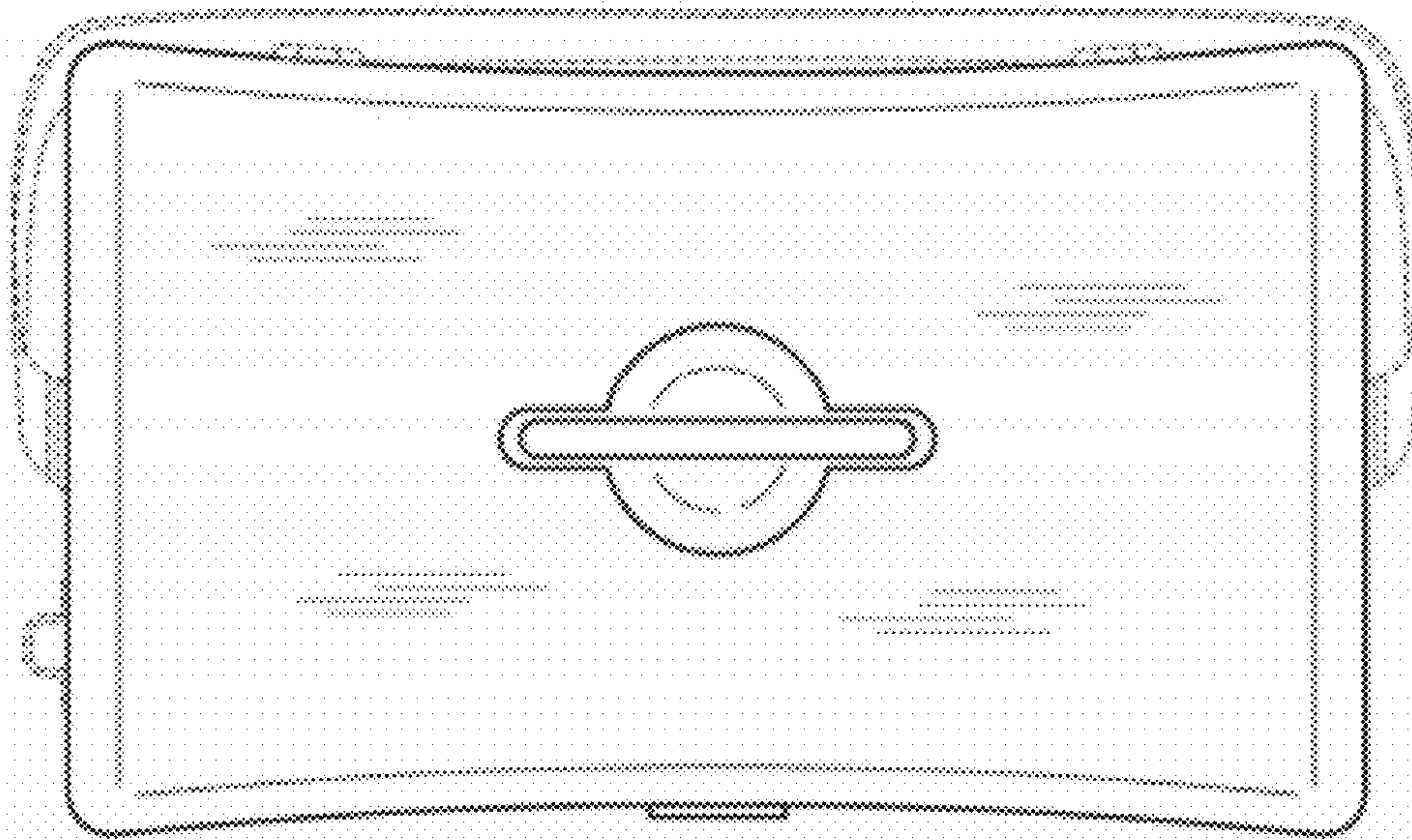


FIG. 6

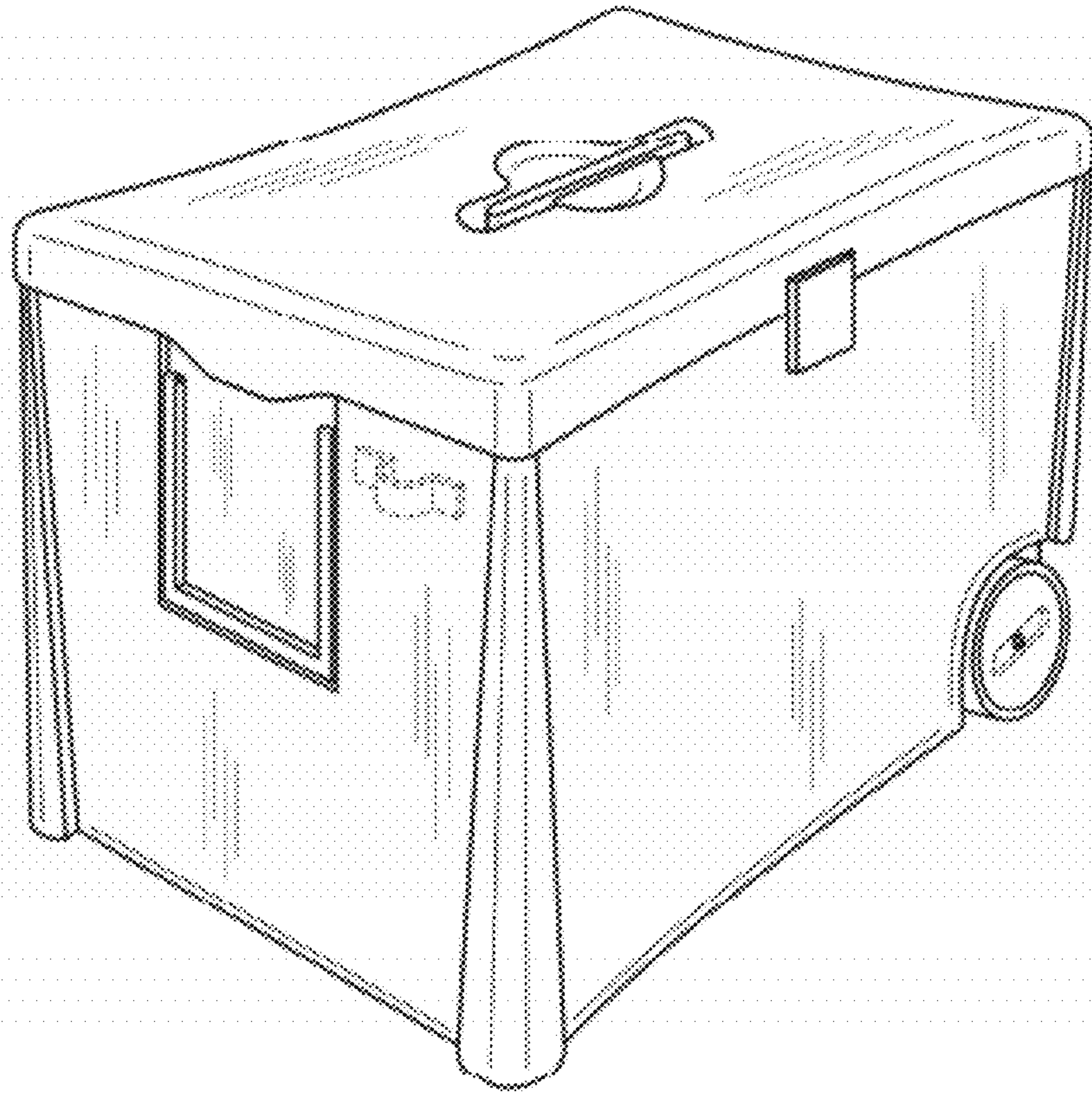


FIG. 7

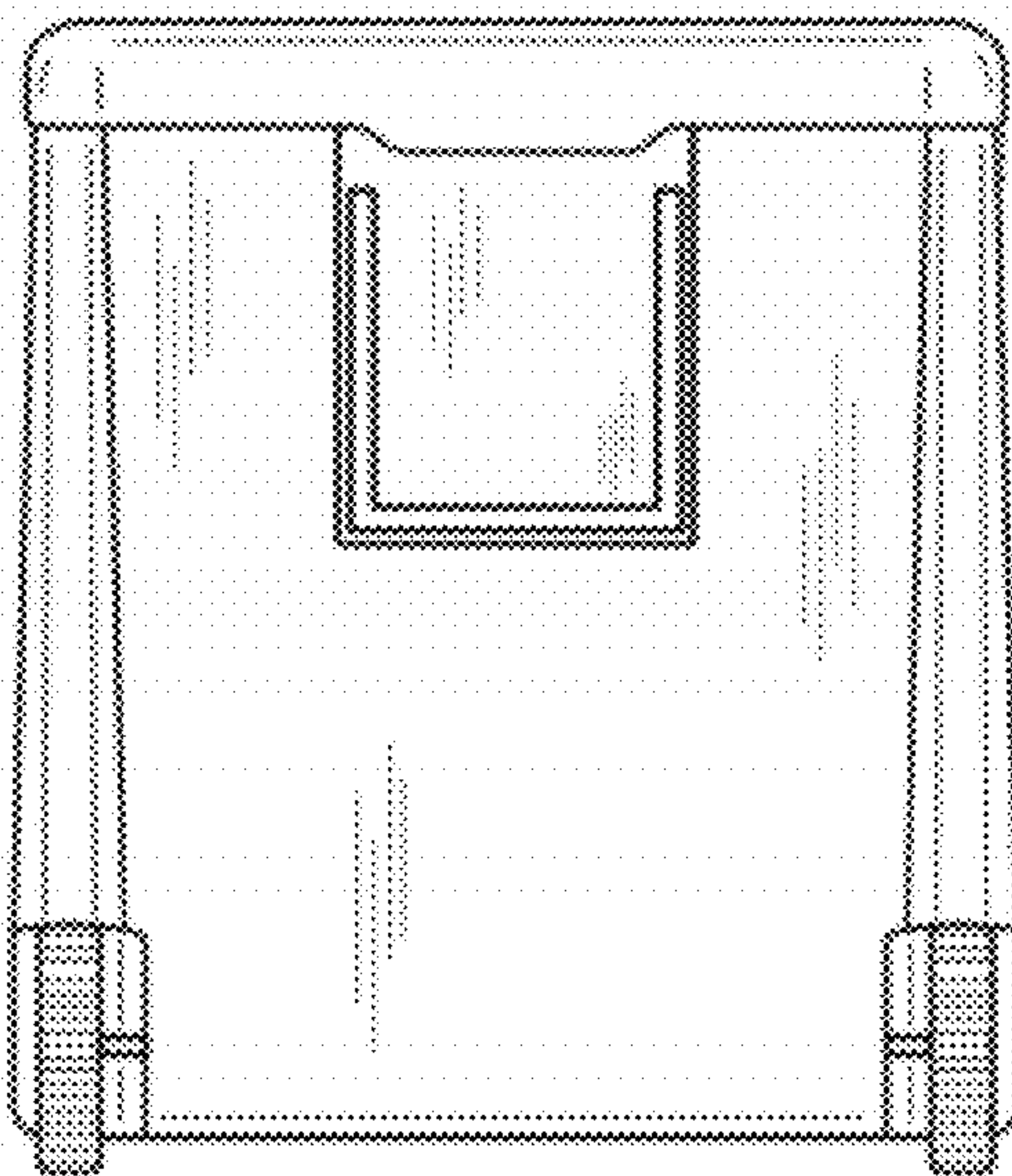


FIG. 8

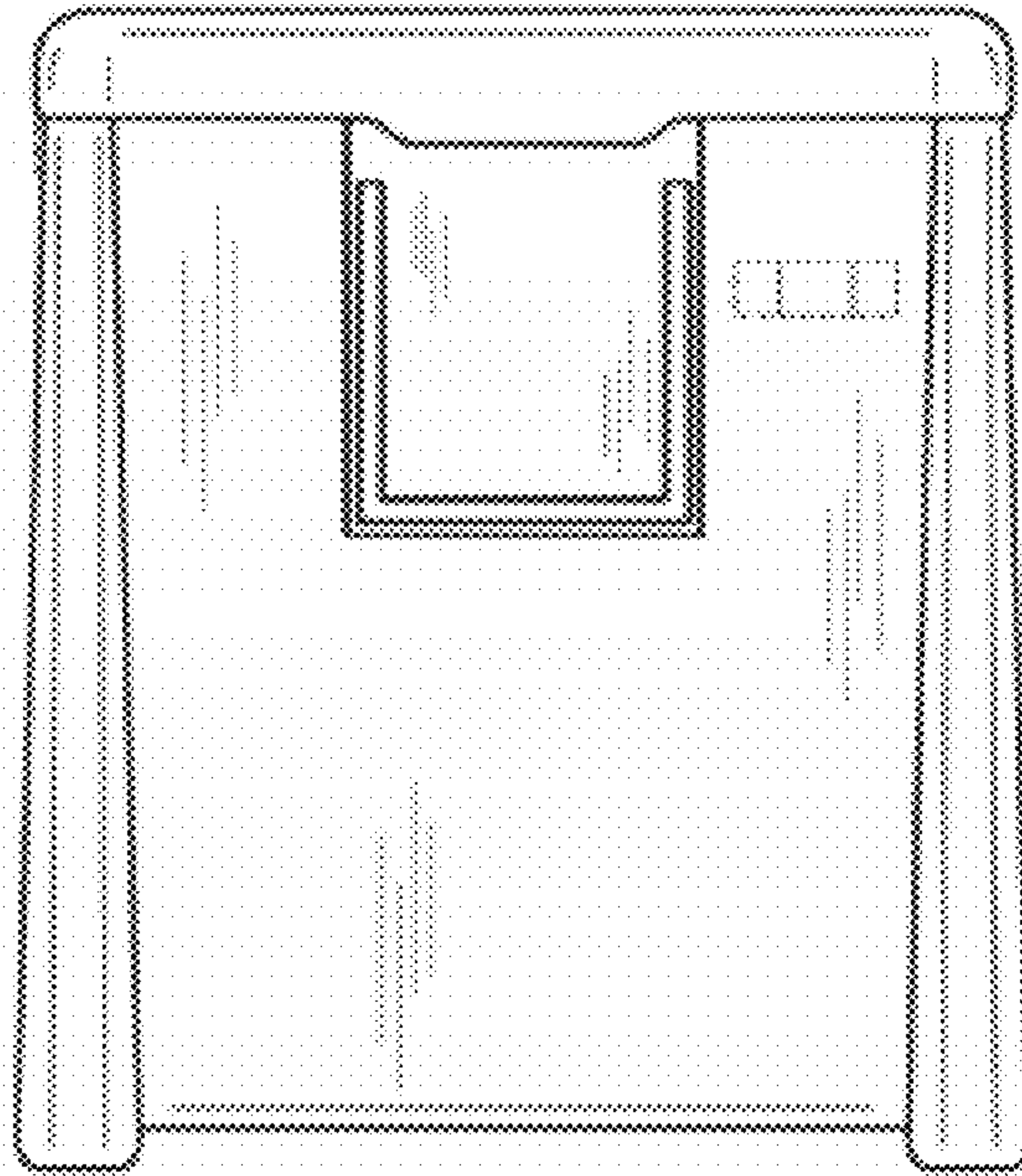


FIG. 9

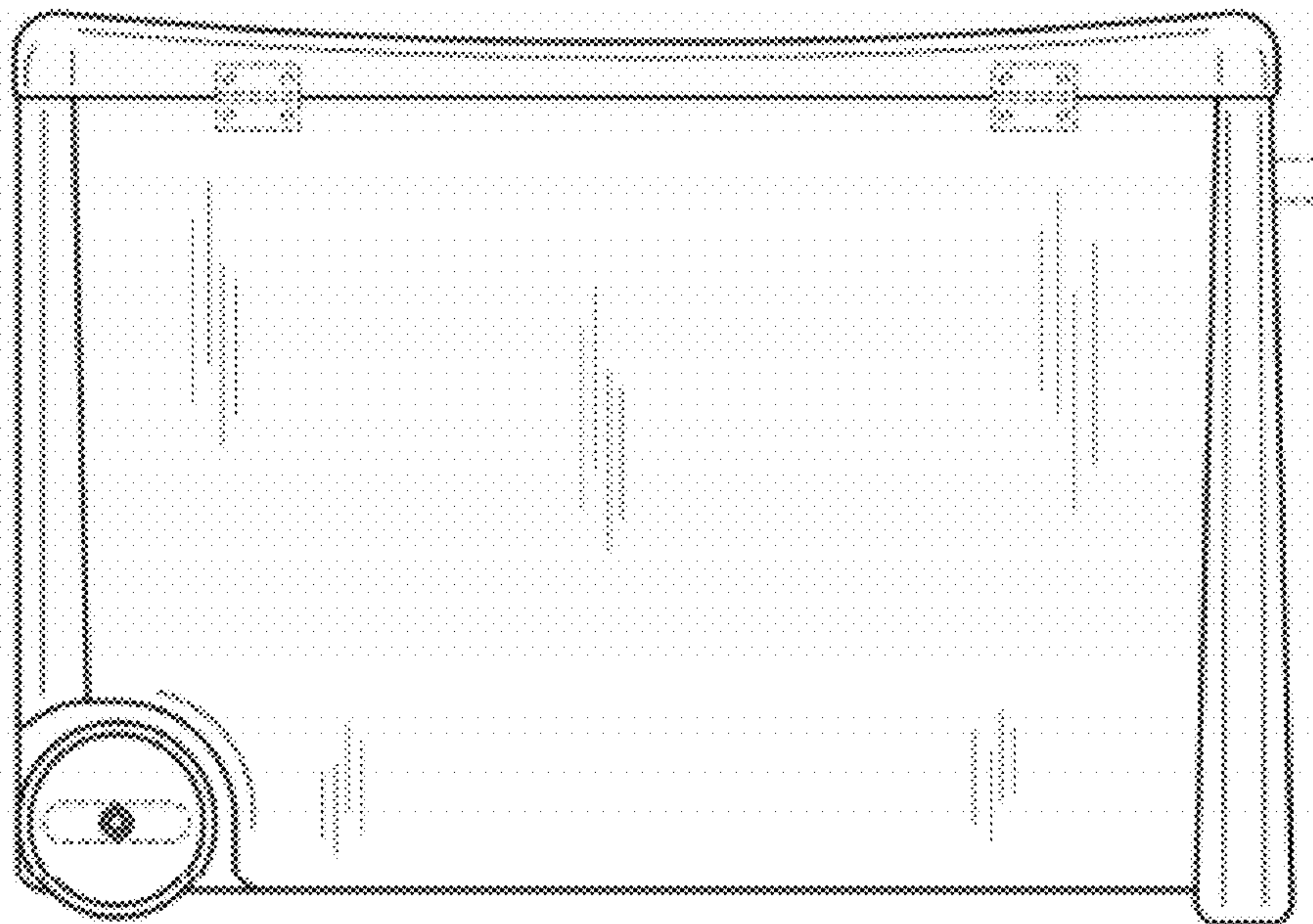


FIG. 10