



US00D660586S

(12) **United States Design Patent**  
**Maramotti**

(10) **Patent No.:** **US D660,586 S**

(45) **Date of Patent:** **\*\* May 29, 2012**

(54) **HANDBAG**

(75) **Inventor:** **Luigi Maramotti**, Albinea (IT)

(73) **Assignee:** **Max Mara S.R.L.**, Reggio Emilia (IT)

(\*\*) **Term:** **14 Years**

(21) **Appl. No.:** **29/389,271**

(22) **Filed:** **Apr. 8, 2011**

(30) **Foreign Application Priority Data**

Feb. 10, 2011 (EM) ..... 001819384

(51) **LOC (9) Cl.** ..... **03-01**

(52) **U.S. Cl.** ..... **D3/232**

(58) **Field of Classification Search** ..... D3/232-233,  
D3/240-245, 318; 150/100, 103-110, 113-114,  
150/118-119

See application file for complete search history.

(56) **References Cited**

U.S. PATENT DOCUMENTS

D609,906 S \* 2/2010 Guyon et al. .... D3/243  
D610,345 S \* 2/2010 Orietti Carella ..... D3/243  
D618,909 S \* 7/2010 Gaultier ..... D3/243

\* cited by examiner

*Primary Examiner* — Holly Baynham

(74) *Attorney, Agent, or Firm* — Pearne & Gordon LLP

(57) **CLAIM**

The ornamental design for a handbag, as shown and described.

**DESCRIPTION**

FIG. 1 is a front-left perspective view of a handbag, showing my new design;  
FIG. 2 is a front elevational view thereof;  
FIG. 3 is a top plan view thereof;  
FIG. 4 is a bottom plan view thereof;  
FIG. 5 is a left side elevational view thereof;  
FIG. 6 is a back elevational view thereof; and,  
FIG. 7 is a right side elevational view thereof.  
The broken lines representing stitching are part of the claimed design.

**1 Claim, 4 Drawing Sheets**



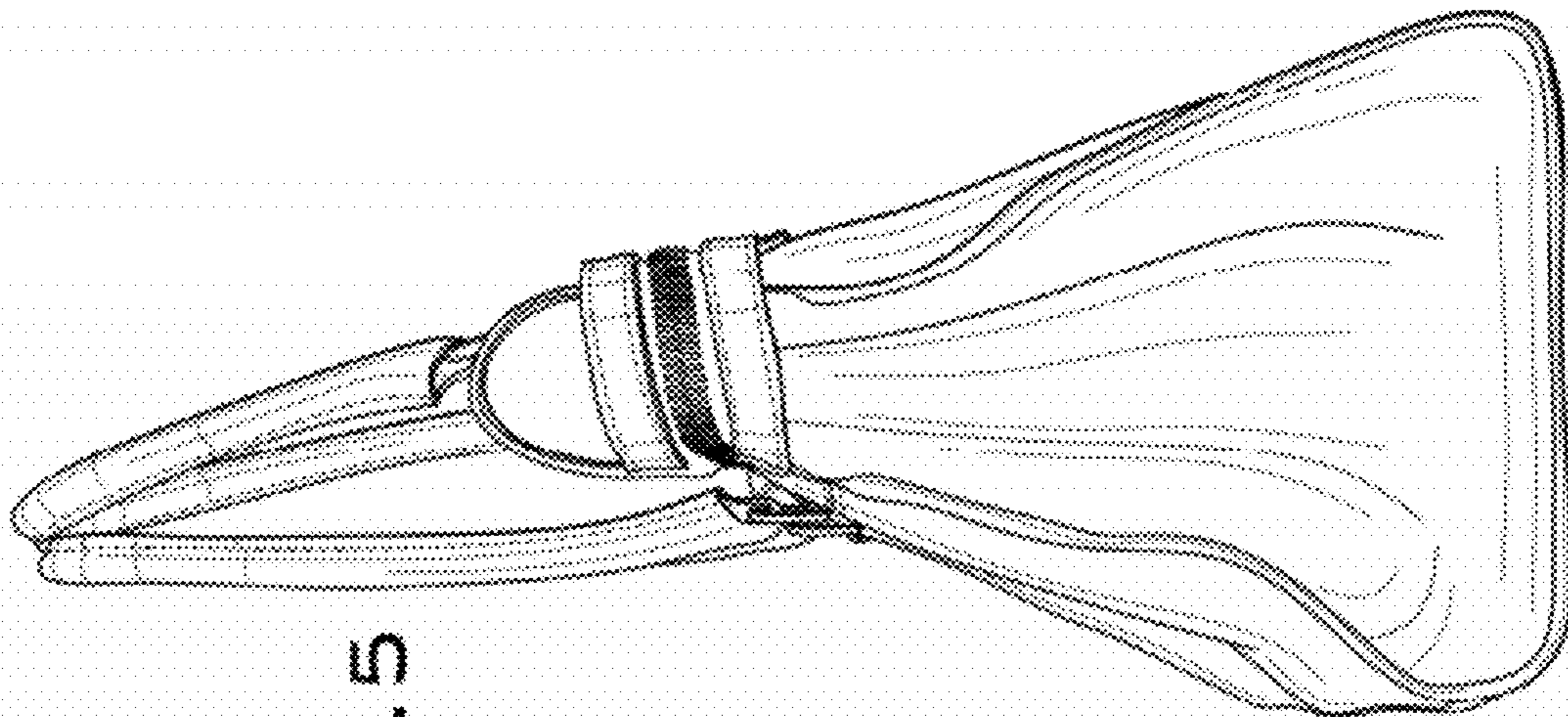


FIG. 5

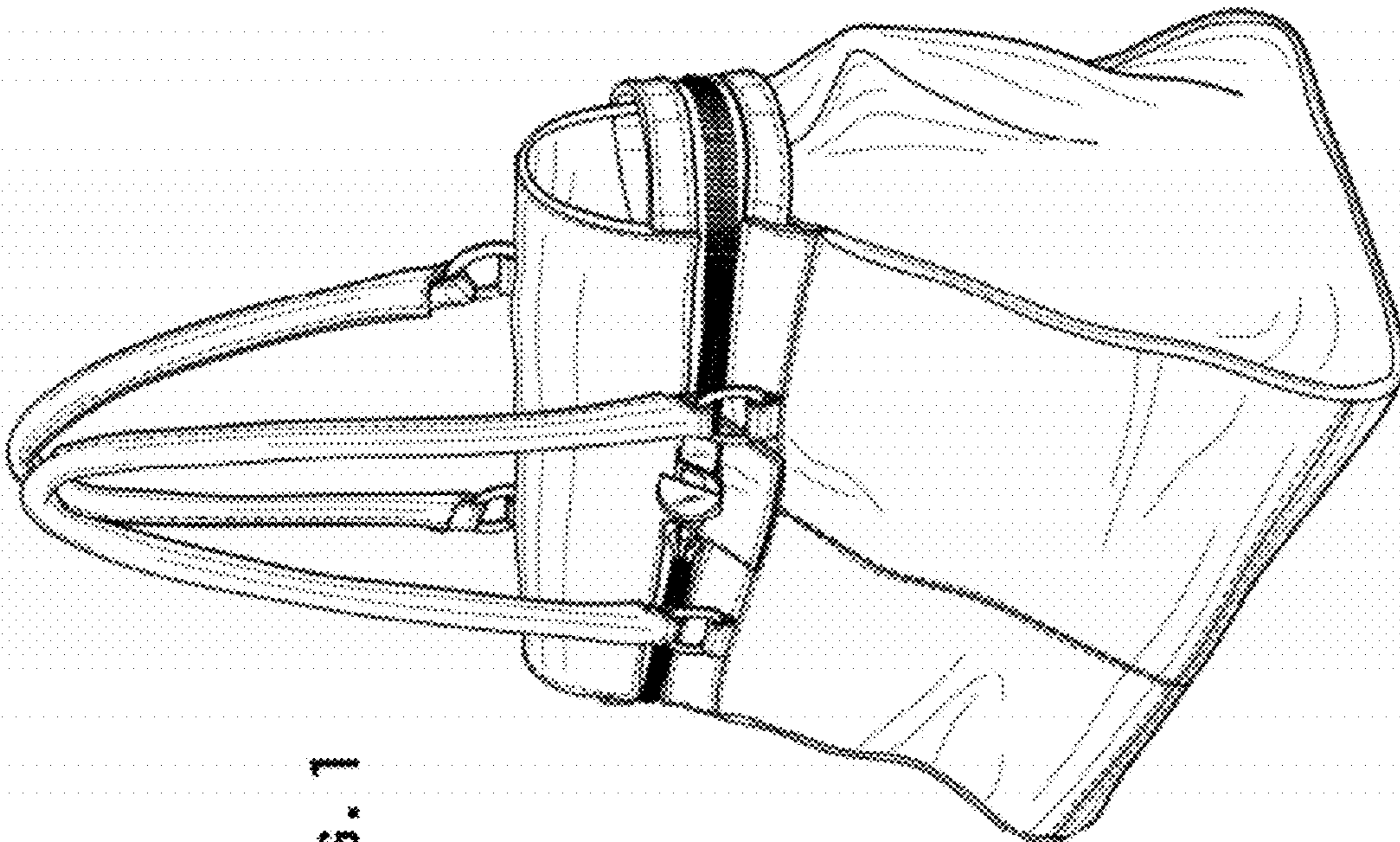


FIG. 1

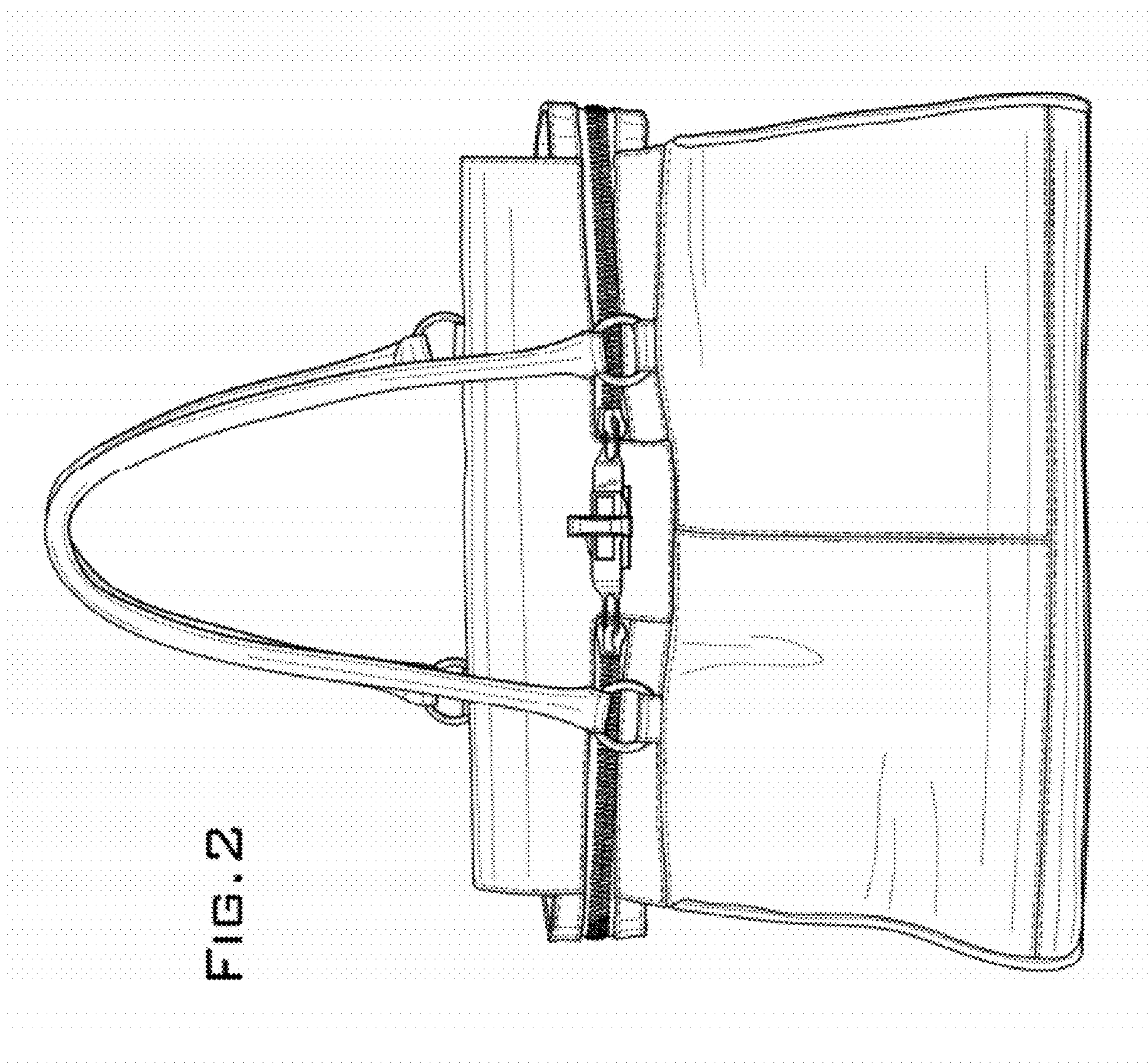


FIG. 2

FIG. 3

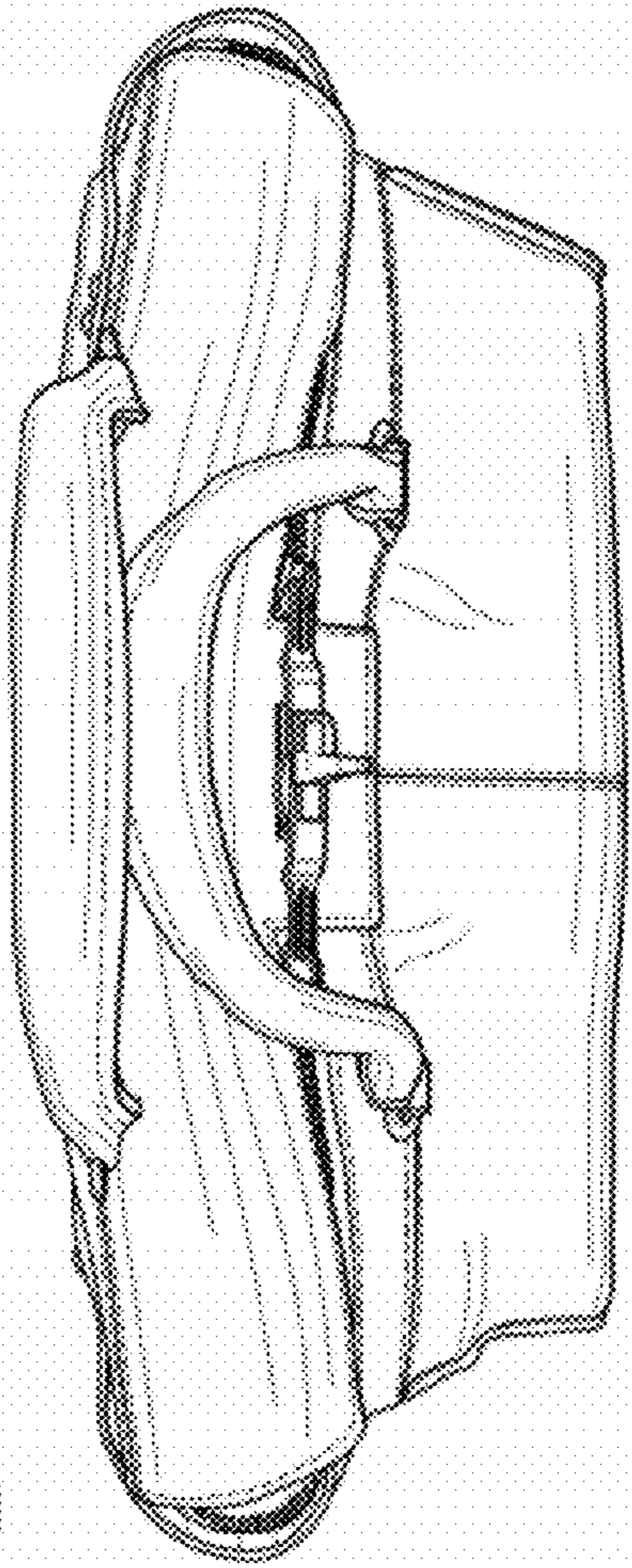
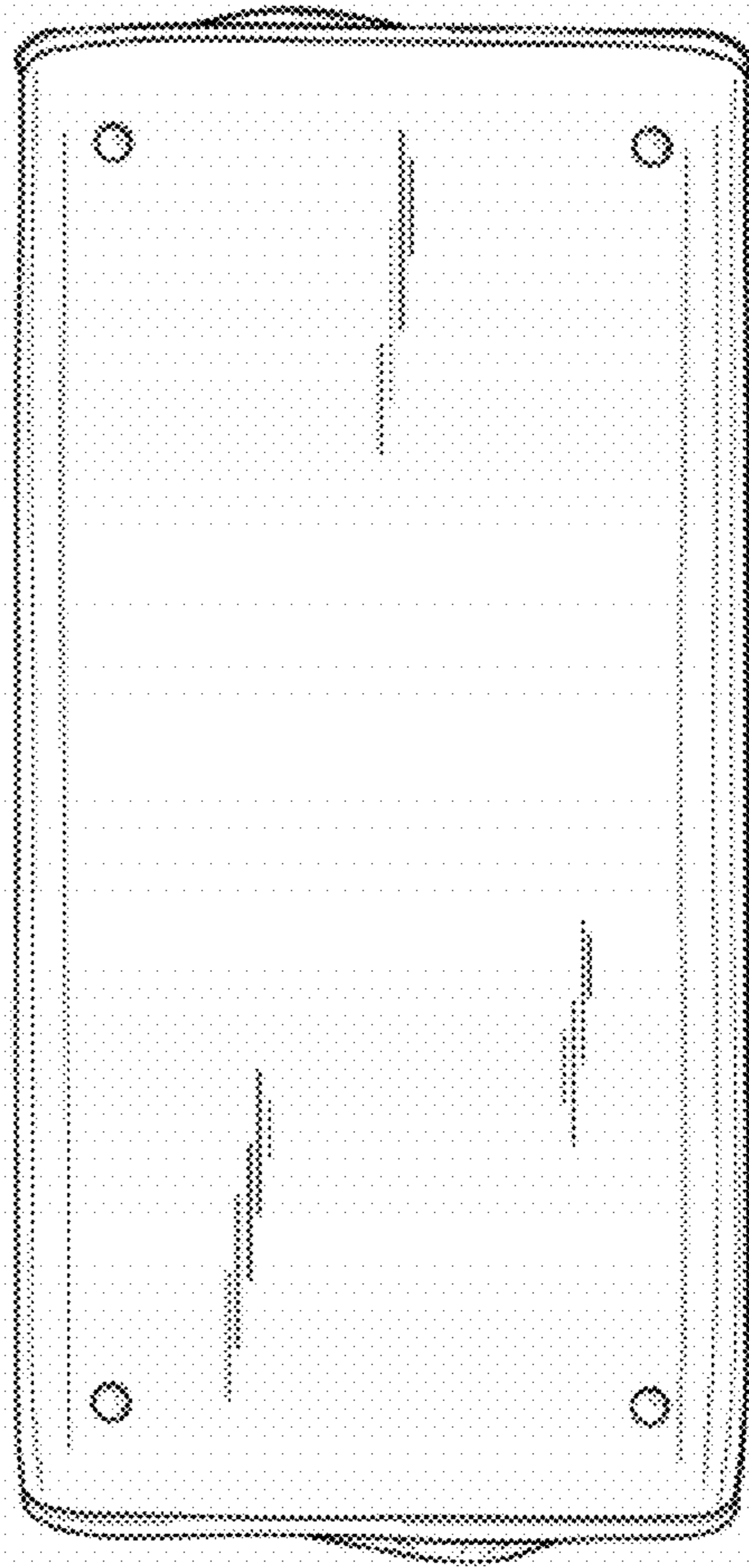


FIG. 4



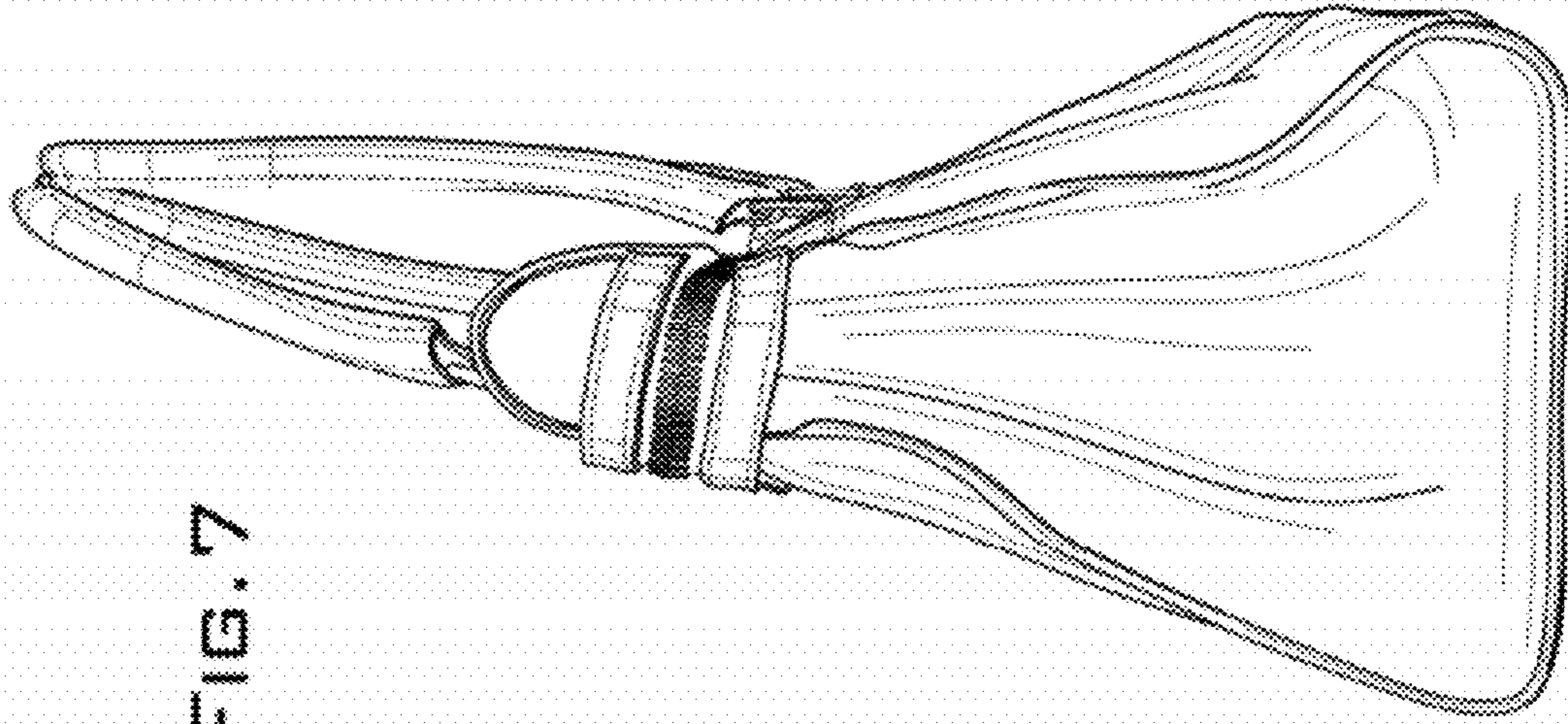


FIG. 7

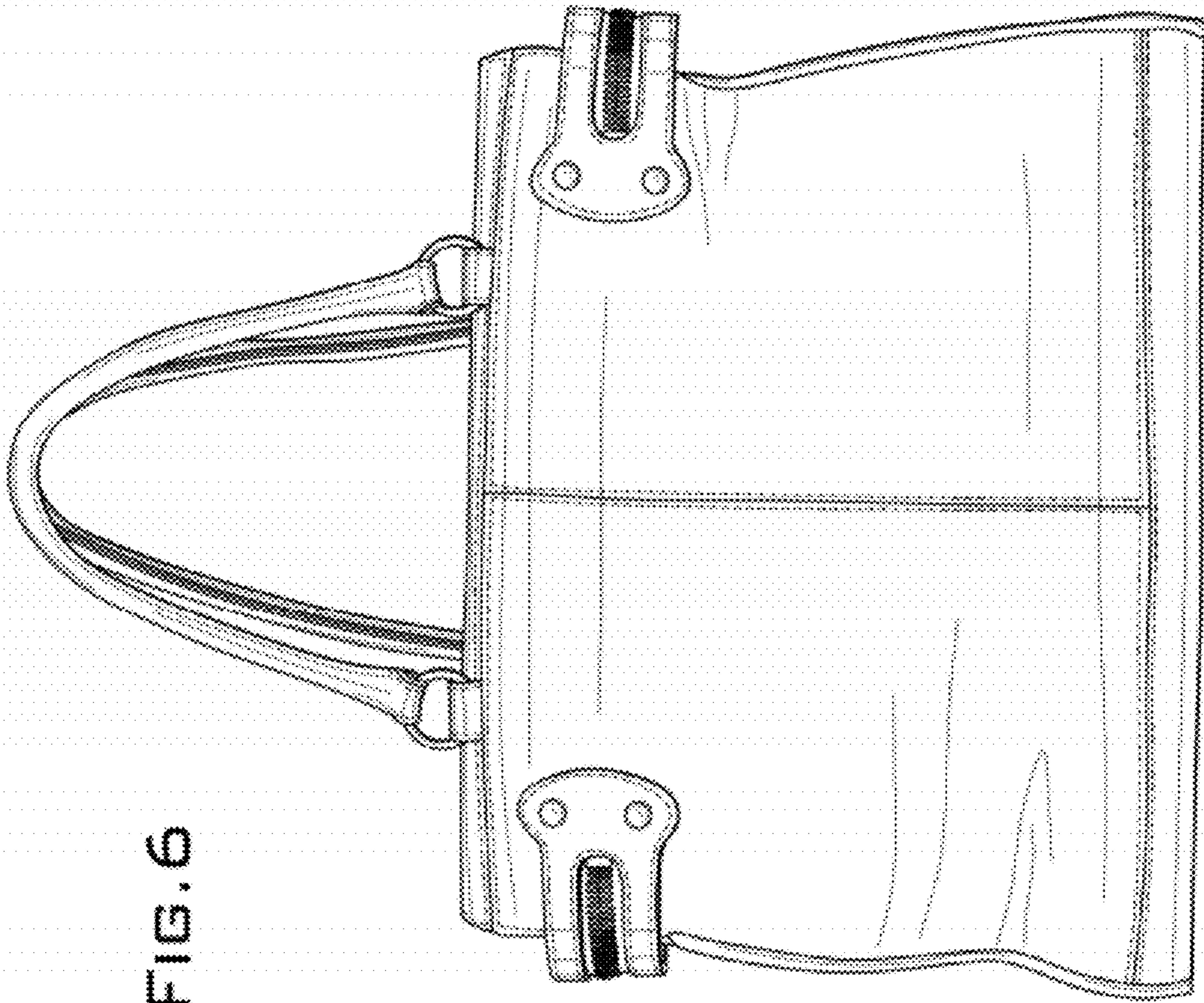


FIG. 6