



US00D660584S

(12) **United States Design Patent**
Cross

(10) **Patent No.:** **US D660,584 S**

(45) **Date of Patent:** **** May 29, 2012**

(54) **BACKPACK**

(75) **Inventor:** **Tory Michael Cross**, Portland, OR (US)

(73) **Assignee:** **NIKE, Inc.**, Beaverton, OR (US)

(**) **Term:** **14 Years**

(21) **Appl. No.:** **29/414,578**

(22) **Filed:** **Feb. 29, 2012**

(51) **LOC (9) Cl.** **03-01**

(52) **U.S. Cl.** **D3/216; D3/217**

(58) **Field of Classification Search** D2/830;
D3/214, 215, 216, 217, 270, 321; 224/153,
224/577, 578, 407; 128/202.22, 205.22
See application file for complete search history.

(56) **References Cited**

U.S. PATENT DOCUMENTS

2,667,996	A *	2/1954	Fanelli	224/153
D236,388	S	8/1975	Walters	
4,088,252	A *	5/1978	Grunberger	224/629
D280,233	S *	8/1985	Fleischmann	D23/238
D336,049	S *	6/1993	Patridge, Jr.	D3/273
D352,920	S *	11/1994	Gerring	D12/106
5,447,261	A *	9/1995	Mitomi et al.	224/153
D369,021	S *	4/1996	Kliot	D3/217
5,588,569	A *	12/1996	Mitomi et al.	224/153
D387,898	S	12/1997	Ronzani	
D388,610	S	1/1998	Horne	
D390,006	S	2/1998	Pericleous	
D410,428	S *	6/1999	Bauers	D12/404
D437,110	S	2/2001	Ivarson et al.	
D437,997	S *	2/2001	Ammerman et al.	D3/216
D453,873	S	2/2002	Blanking	
D461,048	S *	8/2002	Blanking	D3/216
D477,219	S *	7/2003	Waterhouse et al.	D9/430
D485,678	S	1/2004	Haro	
D501,719	S *	2/2005	Tauchen	D3/256
D511,620	S *	11/2005	Van Himbeeck	D3/217
D524,039	S	7/2006	Guenther	
7,165,705	B2 *	1/2007	Haro	224/629
D550,964	S *	9/2007	Bettua et al.	D3/321

D551,853	S	10/2007	Smeuninx	
D569,099	S *	5/2008	Gossett	D3/217
7,591,108	B2 *	9/2009	Tuczek	52/80.1
D613,497	S	4/2010	Pho	
D622,500	S	8/2010	Pho	
D641,973	S	7/2011	Quehl	
D642,791	S	8/2011	Quehl	
2006/0144885	A1 *	7/2006	Smeuninx	224/629
2008/0295215	A1 *	12/2008	Burke et al.	2/69

OTHER PUBLICATIONS

Web Posting: www.thewordofmatus.com/gear/solid-gray-backpack, 2 color pages, posting on blog listed as Nov. 16, 2011.

Web Postings: www.Solid-Gray.com Website, 5 color pages, date unknown but prior to the filing date of the current application.

* cited by examiner

Primary Examiner — T. Chase Nelson

(74) *Attorney, Agent, or Firm* — Banner & Witcoff, Ltd.

(57) **CLAIM**

The ornamental design for a backpack, as shown and described.

DESCRIPTION

FIG. 1 is a perspective view of a backpack showing my new design;

FIG. 2 is a front view thereof;

FIG. 3 is a right side view thereof;

FIG. 4 is a left side view thereof;

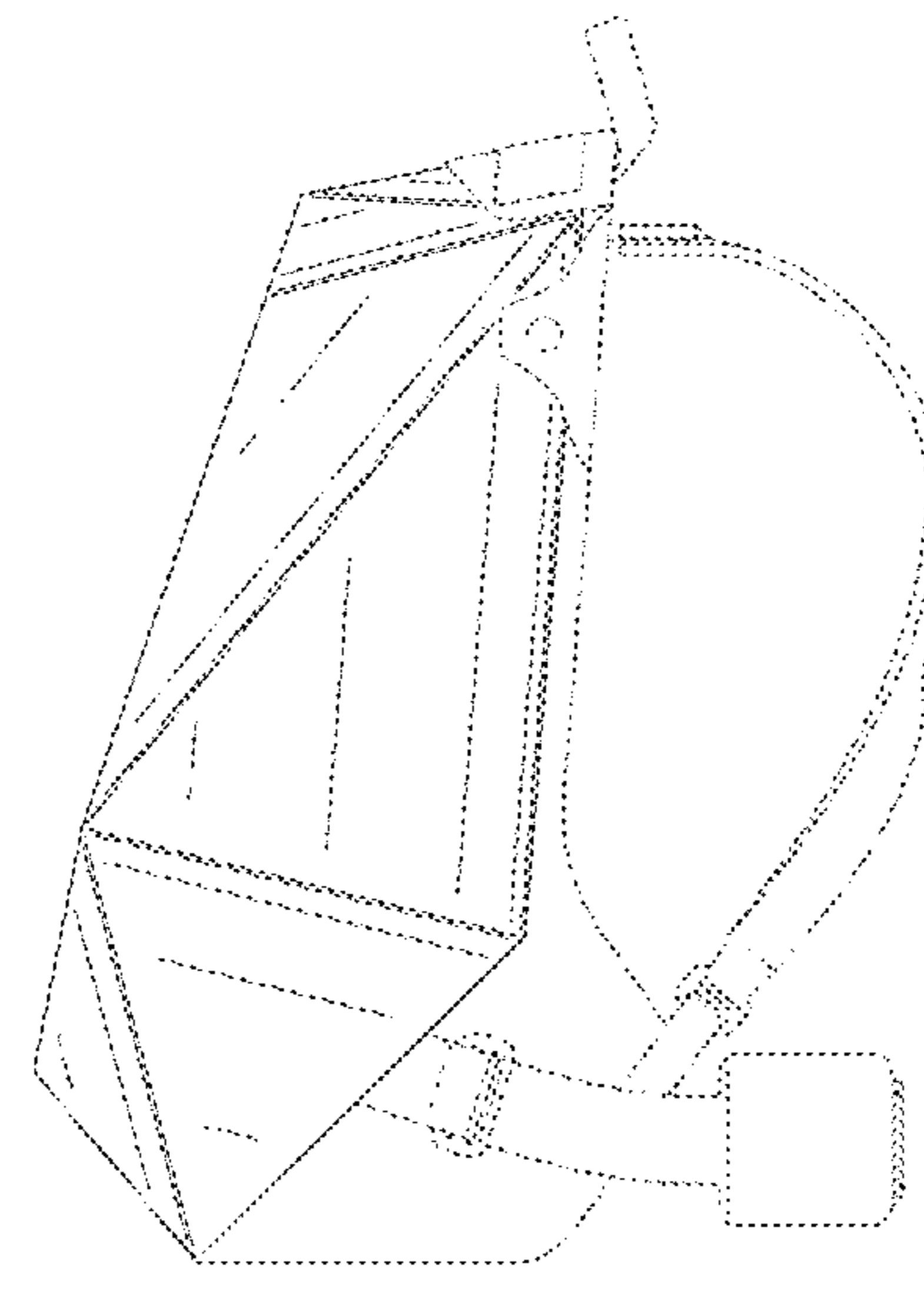
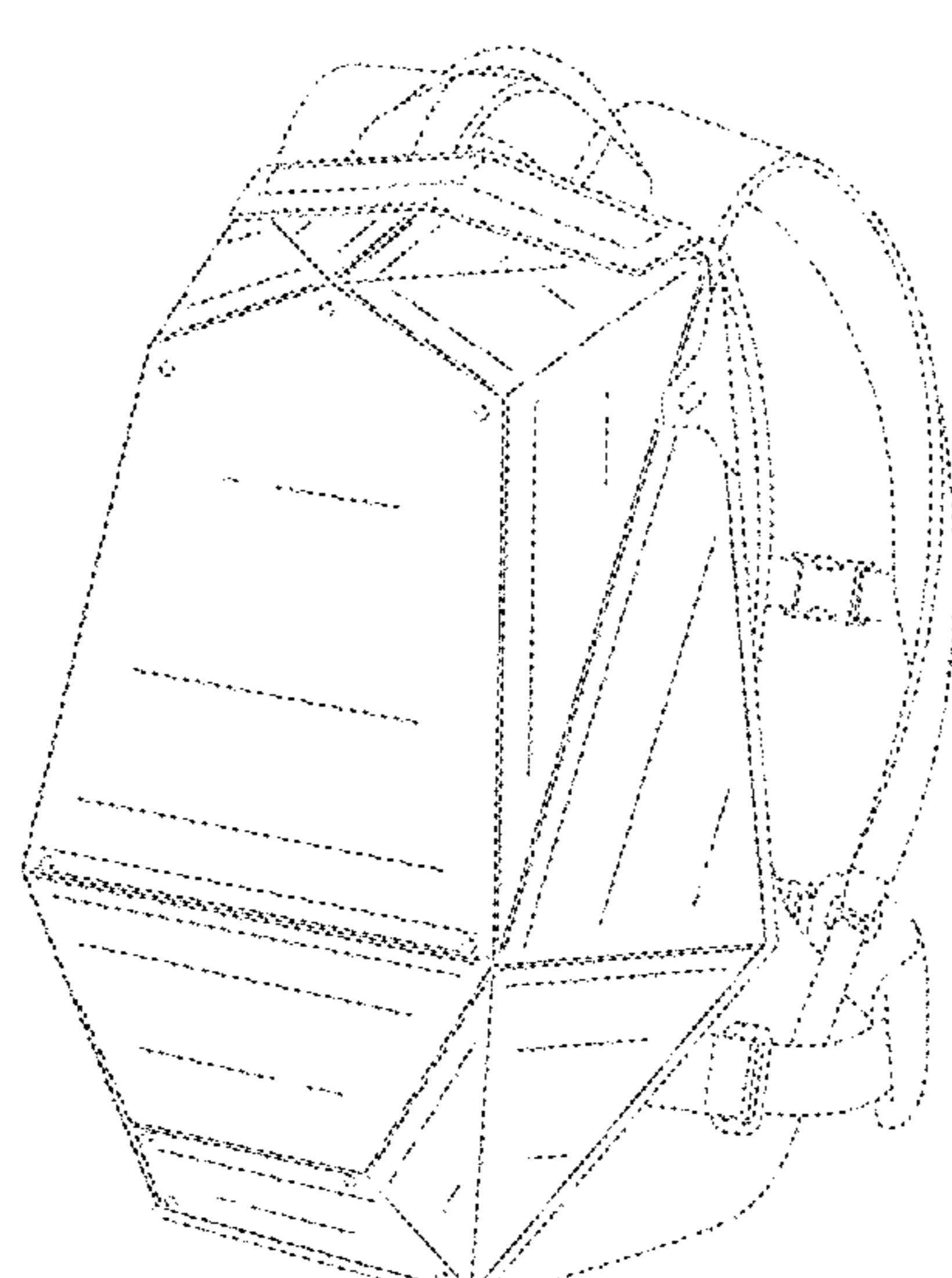
FIG. 5 is a top view thereof;

FIG. 6 is a bottom view thereof; and,

FIG. 7 is a rear view thereof.

The broken lines immediately adjacent to the shaded area represent unclaimed boundaries of the design. The broken lines showing of the nine circles within the shaded region and the broken line showing of the remainder of the backpack are for environmental purposes only and form no part of the claimed design.

1 Claim, 7 Drawing Sheets



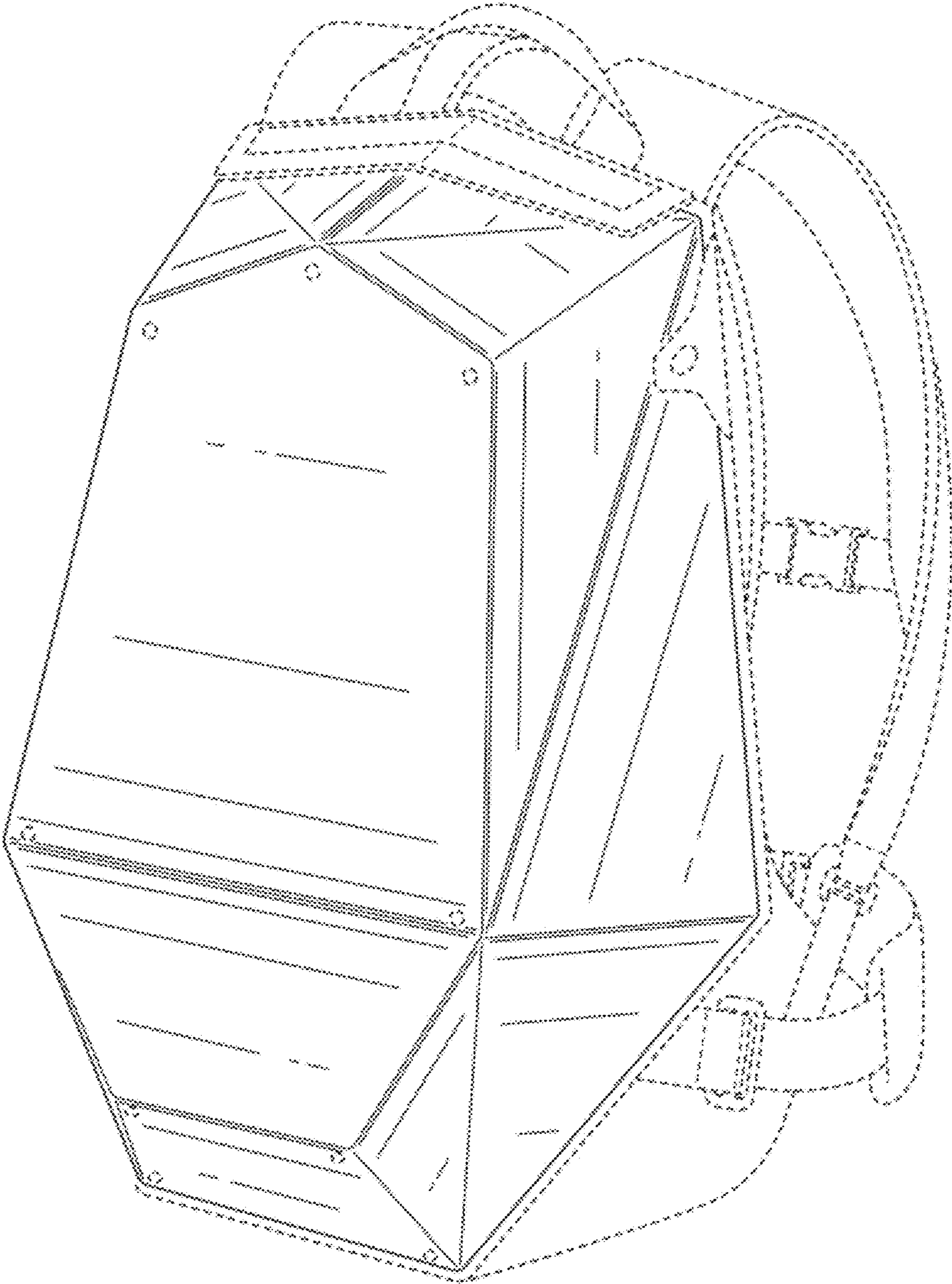


FIG. 1

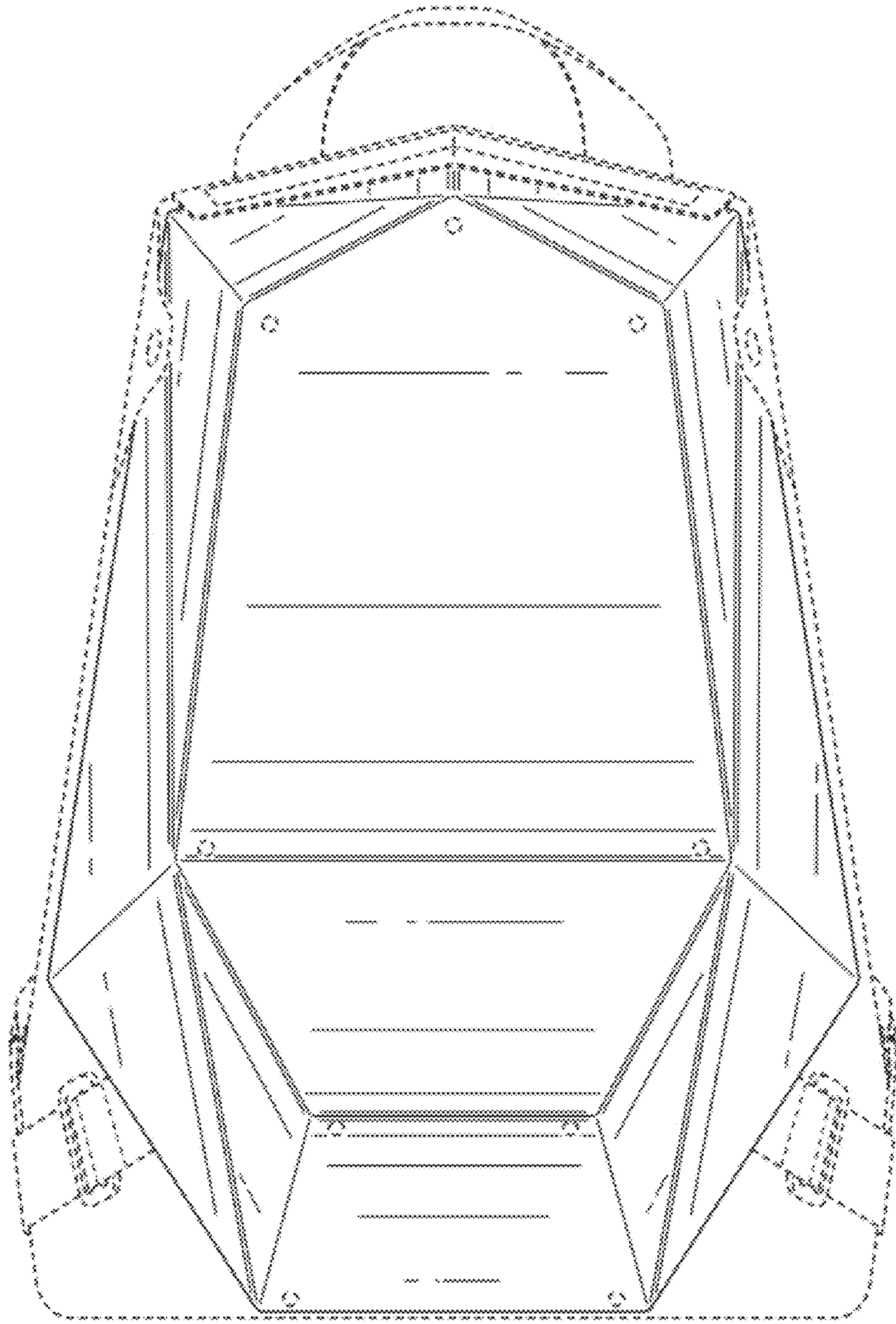


FIG. 2

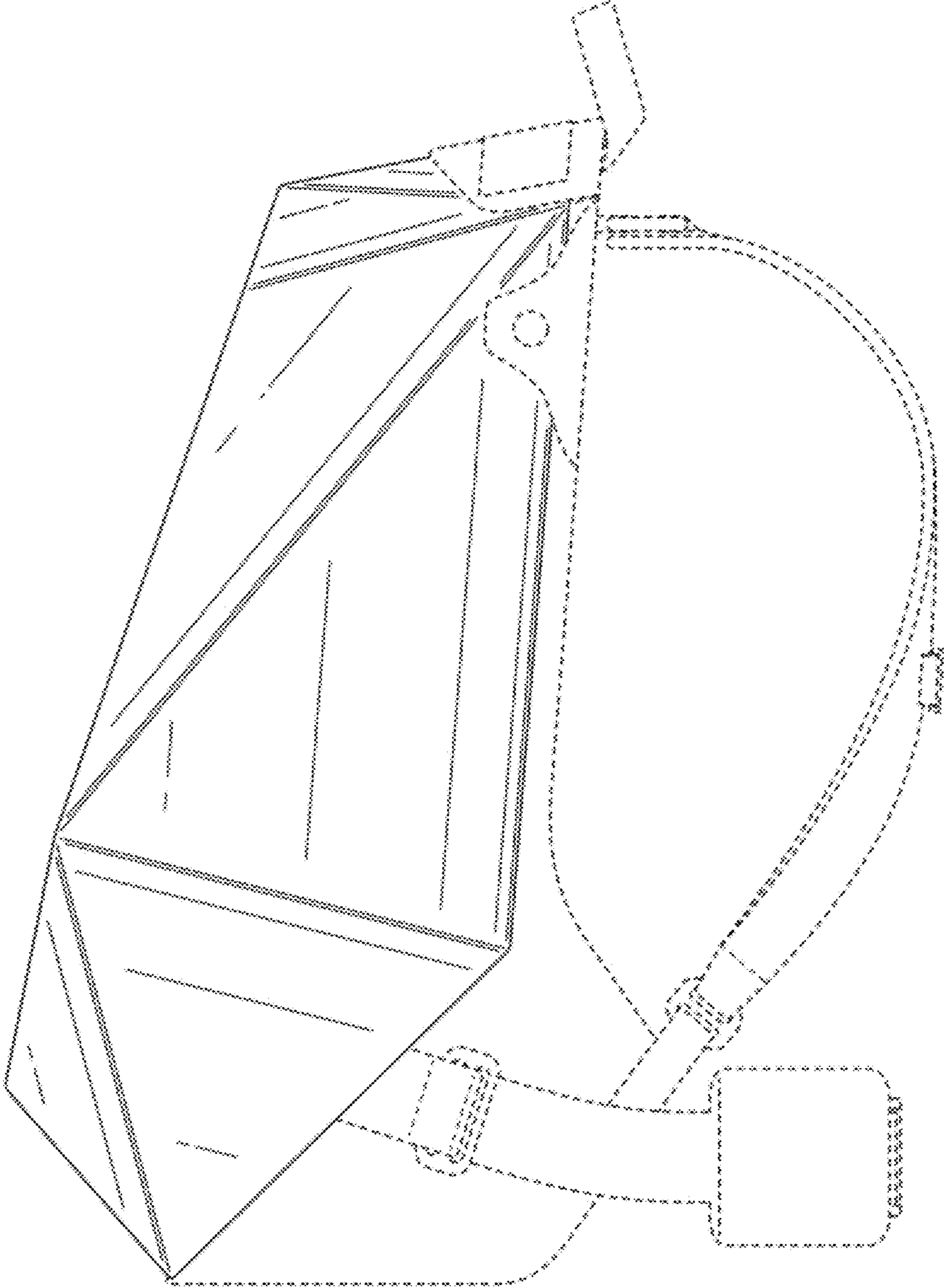


FIG. 3

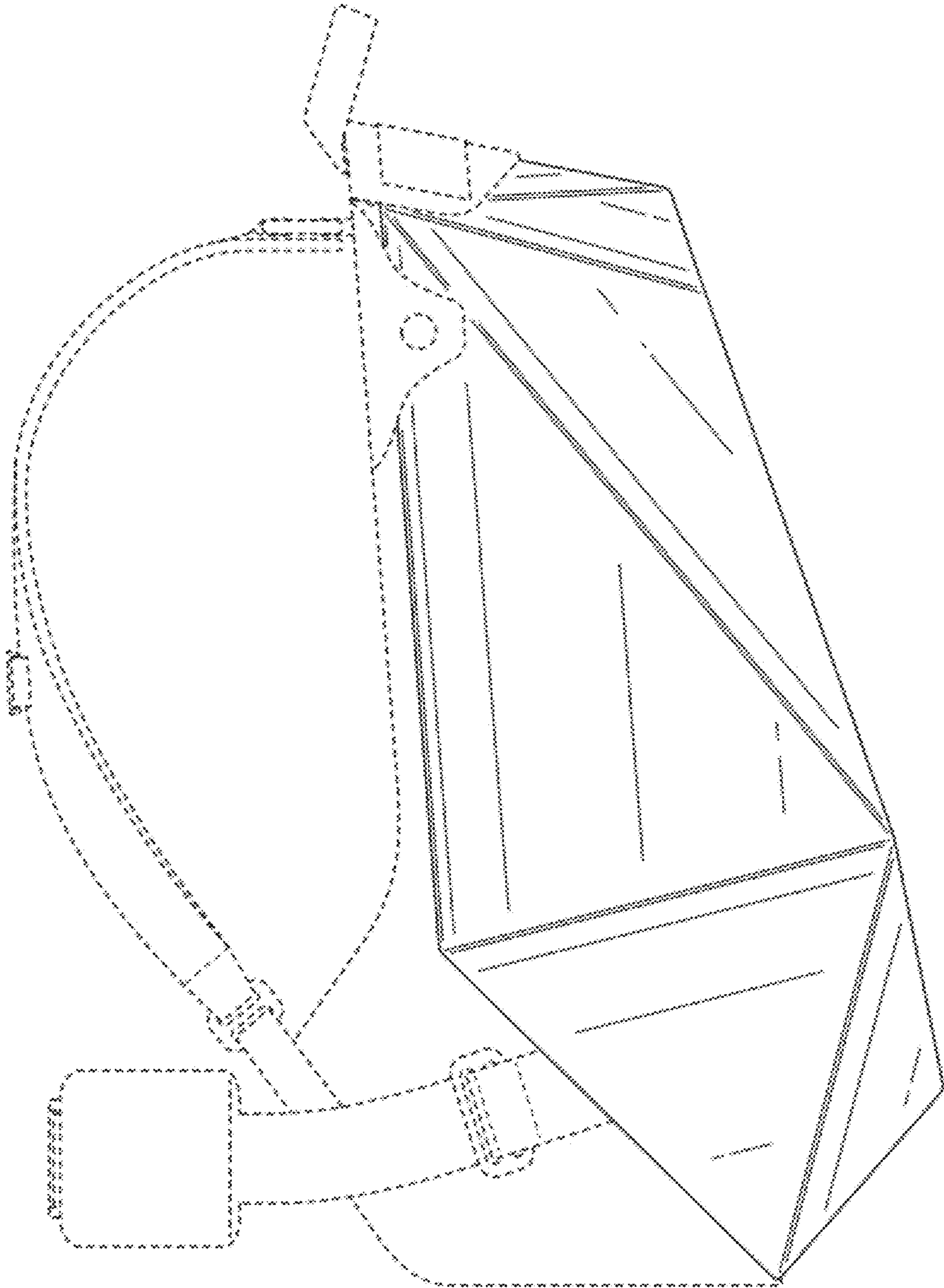


FIG. 4

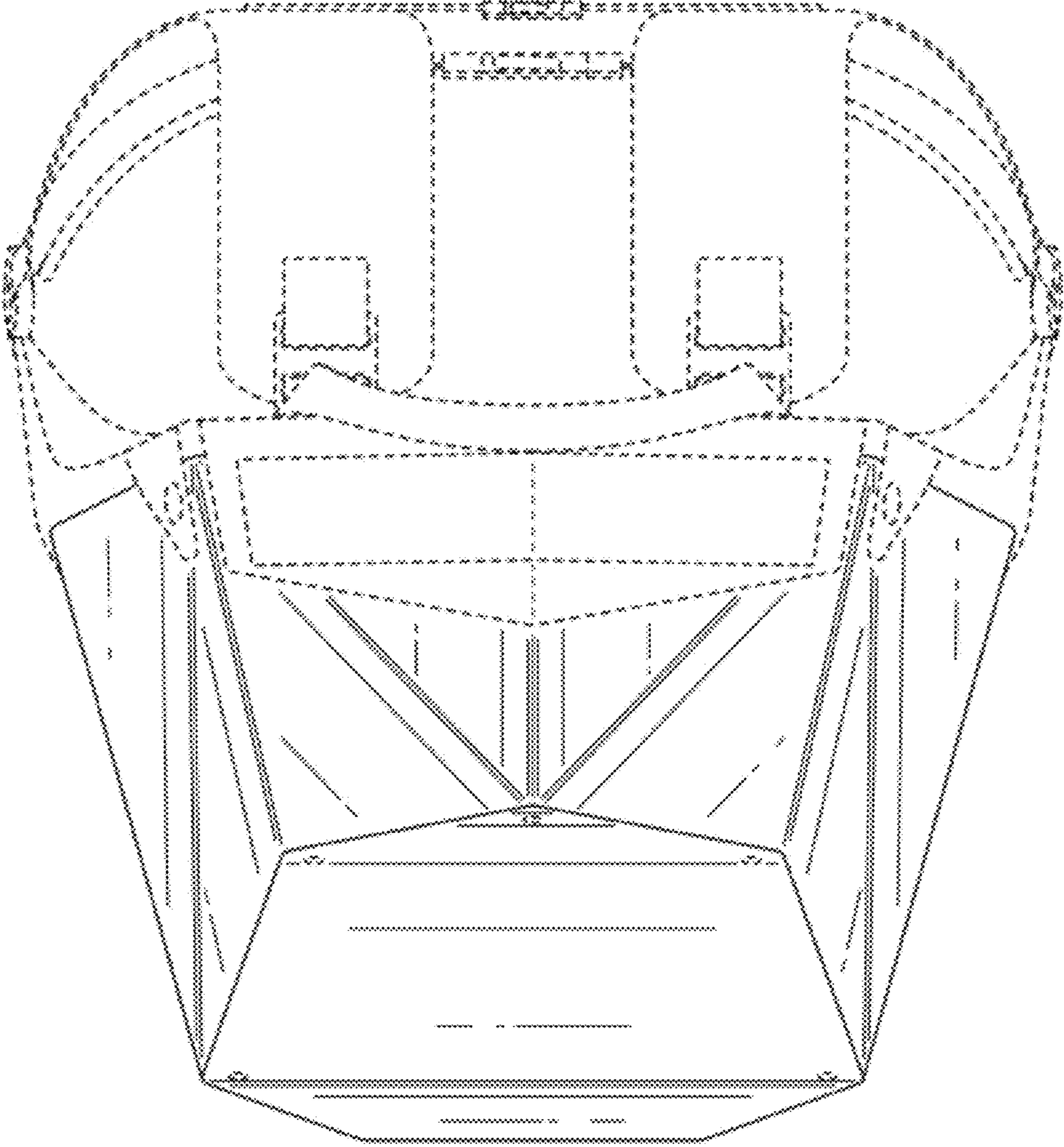


FIG. 5

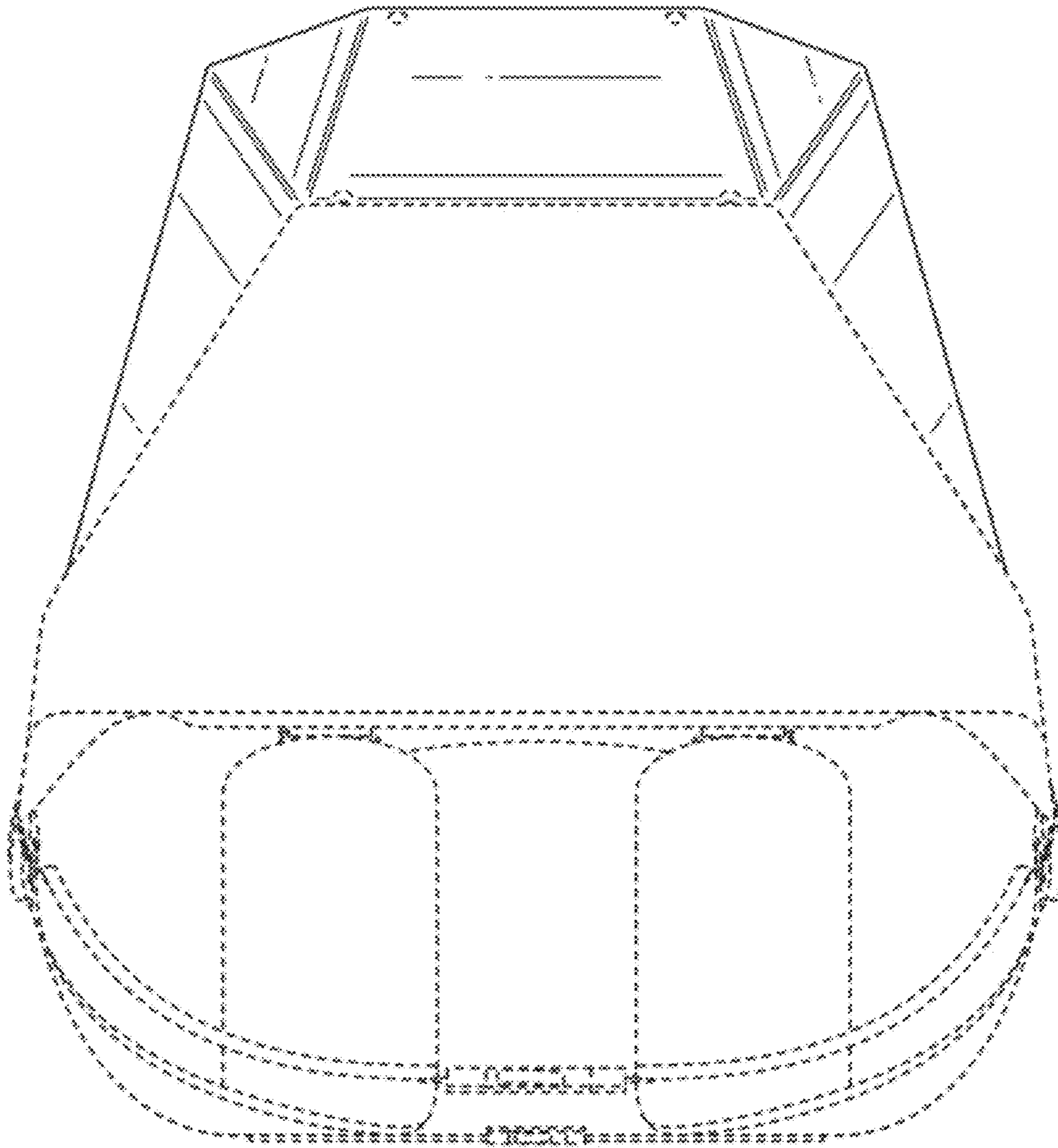


FIG. 6

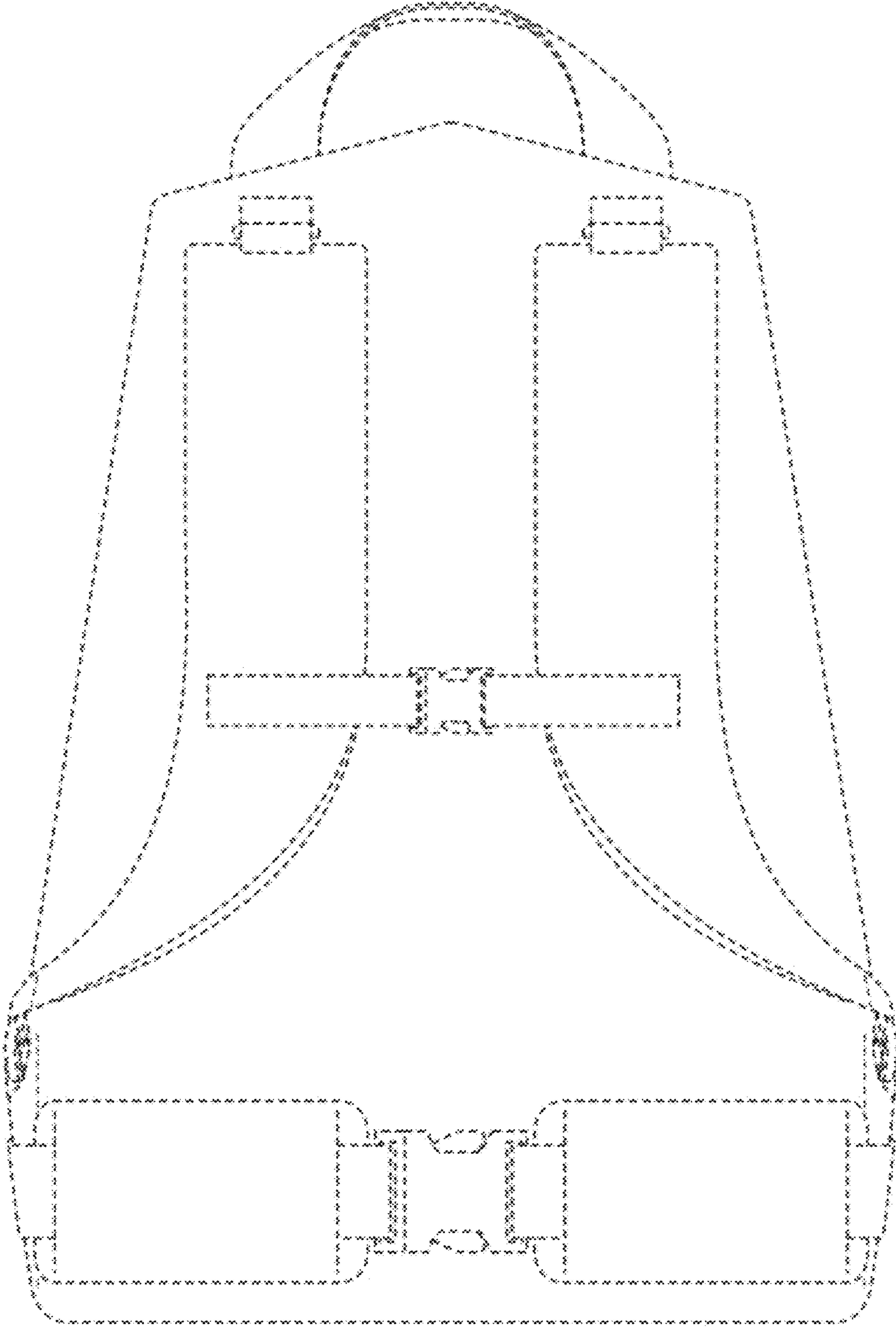


FIG. 7