



US00D660582S

(12) **United States Design Patent**
Busen

(10) **Patent No.:** **US D660,582 S**

(45) **Date of Patent:** **** May 29, 2012**

(54) **PERSONAL PILL ORGANIZER AND IDENTIFIER**

Primary Examiner — Catheri Oliver

(74) *Attorney, Agent, or Firm* — Richard L. Miller

(76) Inventor: **Natalie M. Busen**, Nashville, TN (US)

(**) Term: **14 Years**

(57) **CLAIM**

The ornamental design for a personal pill organizer and identifier, as shown and described.

(21) Appl. No.: **29/373,630**

(22) Filed: **May 4, 2011**

(51) **LOC (9) Cl.** **03-01**

(52) **U.S. Cl.** **D3/203.3**

(58) **Field of Classification Search** D3/201–205,
D3/294; 206/528–540; 220/524
See application file for complete search history.

DESCRIPTION

FIG. 1 is a front, top and left side perspective view of a personal pill organizer and identifier showing my new design; FIG. 2 is a rear, top and left side perspective view thereof; FIG. 3 is a front elevational view thereof taken in the direction of arrow 3 in FIG. 9; FIG. 4 is a rear elevational view thereof taken in the direction of arrow 4 in FIG. 9; FIG. 5 is a top view thereof taken in the direction of arrow 5 in FIG. 9; FIG. 6 is a bottom view thereof taken in the direction of arrow 6 in FIG. 9; FIG. 7 is a left side view thereof taken in the direction of arrow 7 in FIG. 9; FIG. 8 is a right side view thereof taken in the direction of arrow 8 in FIG. 9; and, FIG. 9 is a front, top and left side perspective view, identical to FIG. 1, with the directional arrows included. It is to be understood that any portion of any figure shown in broken lines are for environmental purposes only and form no part of the claimed design.

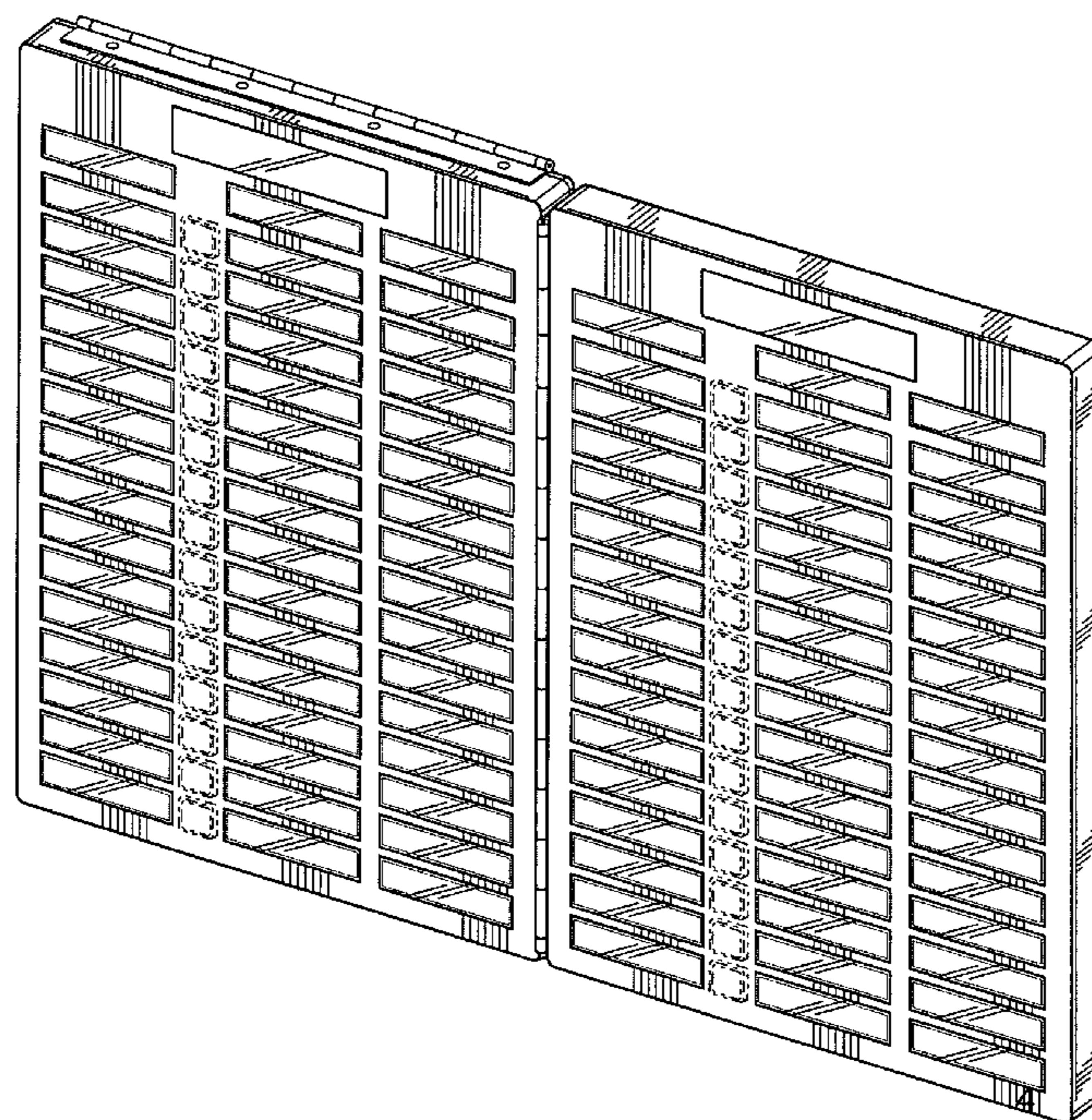
(56) **References Cited**

U.S. PATENT DOCUMENTS

| | | | | |
|--------------|------|---------|--------------------|----------|
| D337,046 | S | 7/1993 | Fuller et al. | |
| 5,372,258 | A | 12/1994 | Daneshvar | |
| D403,498 | S * | 1/1999 | Humble | D3/203.3 |
| D418,288 | S * | 1/2000 | Priebe | D3/203.3 |
| D460,254 | S * | 7/2002 | Rufo | D3/203.3 |
| D522,742 | S * | 6/2006 | Priebe | D3/203.3 |
| D524,537 | S * | 7/2006 | Priebe et al. | D3/203.3 |
| D525,777 | S * | 8/2006 | Priebe et al. | D3/203.3 |
| D526,478 | S * | 8/2006 | Priebe et al. | D3/203.3 |
| 7,200,071 | B2 | 4/2007 | Brophy | |
| D547,052 | S | 7/2007 | Cooper | |
| 7,240,793 | B2 | 7/2007 | McBain | |
| 7,661,530 | B1 | 2/2010 | Hewitt | |
| 2004/0159576 | A1 * | 8/2004 | Holmberg | 206/538 |
| 2005/0029156 | A1 | 2/2005 | Girzaitis | |
| 2005/0045519 | A1 | 3/2005 | Hirsch | |
| 2005/0218152 | A1 | 10/2005 | Simon | |

* cited by examiner

1 Claim, 7 Drawing Sheets



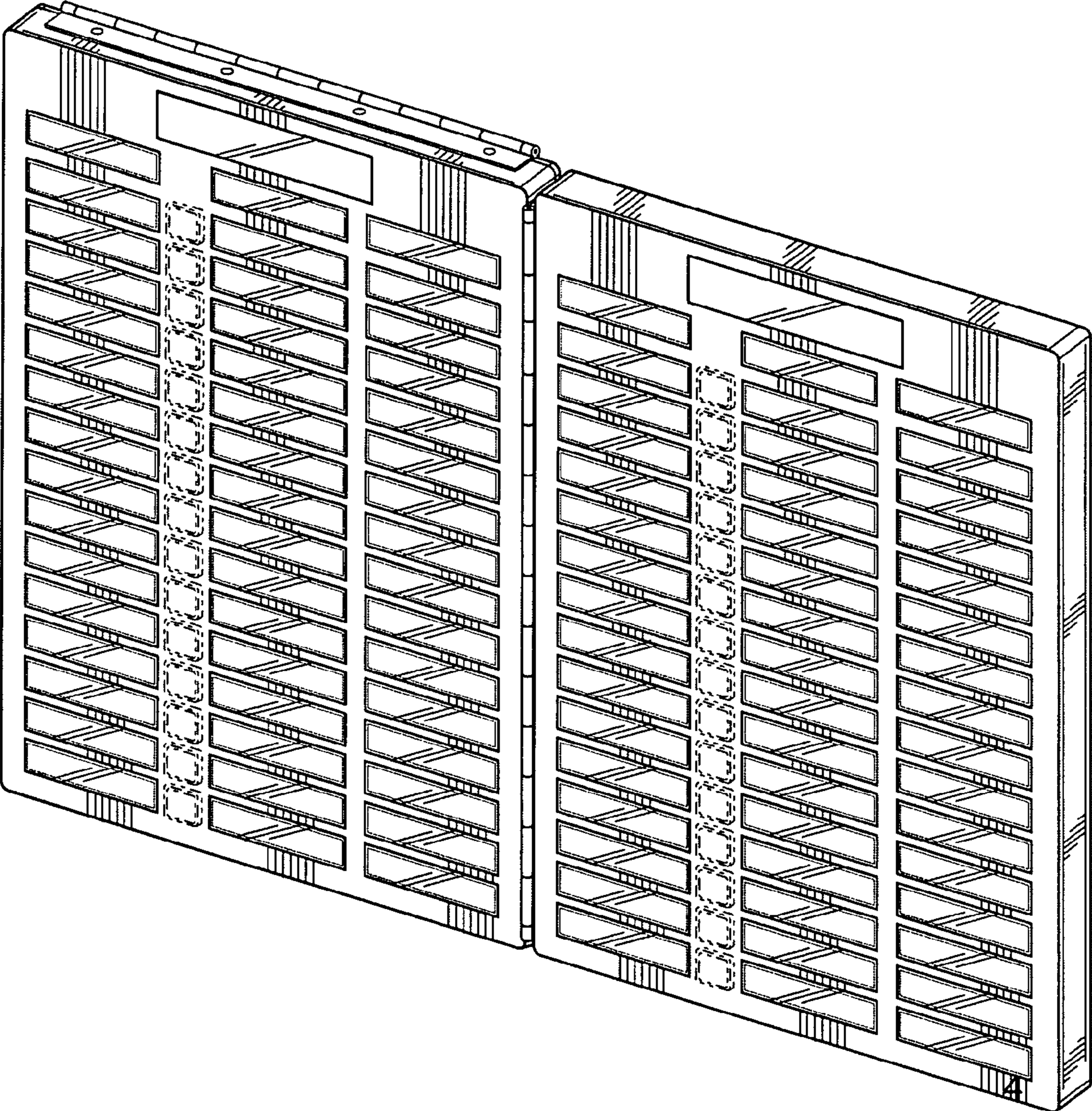


FIG. 1

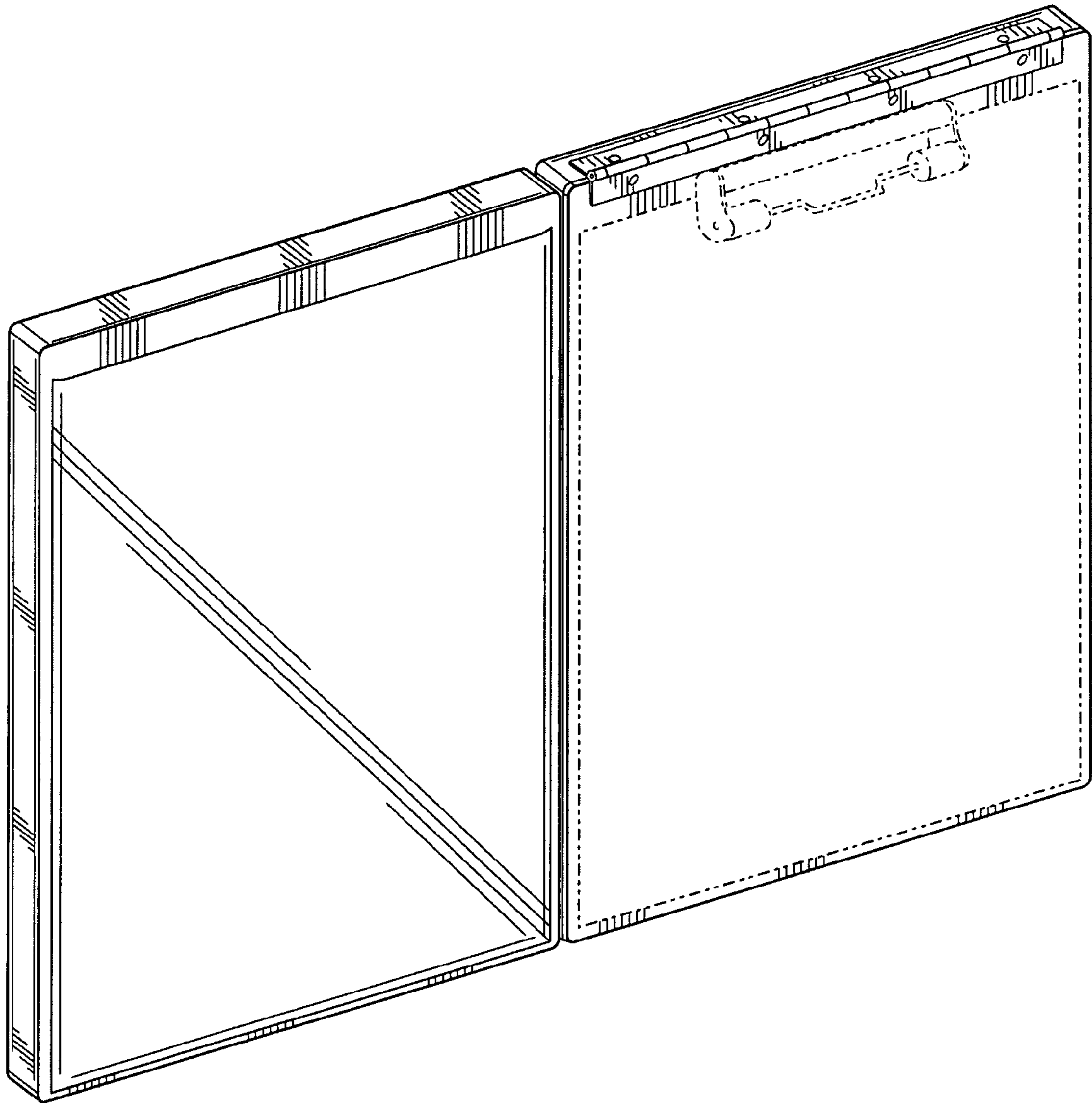


FIG. 2

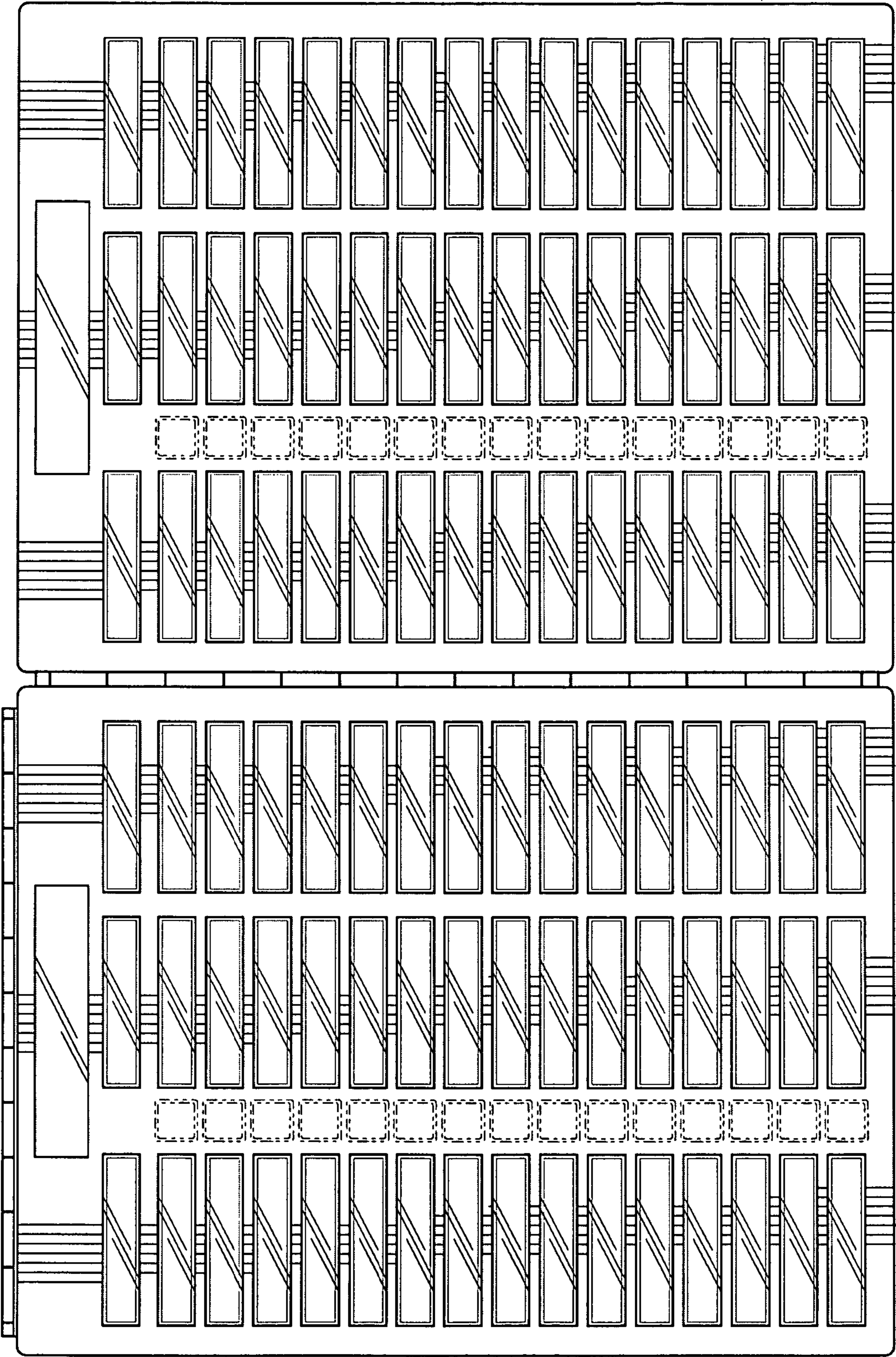


FIG. 3

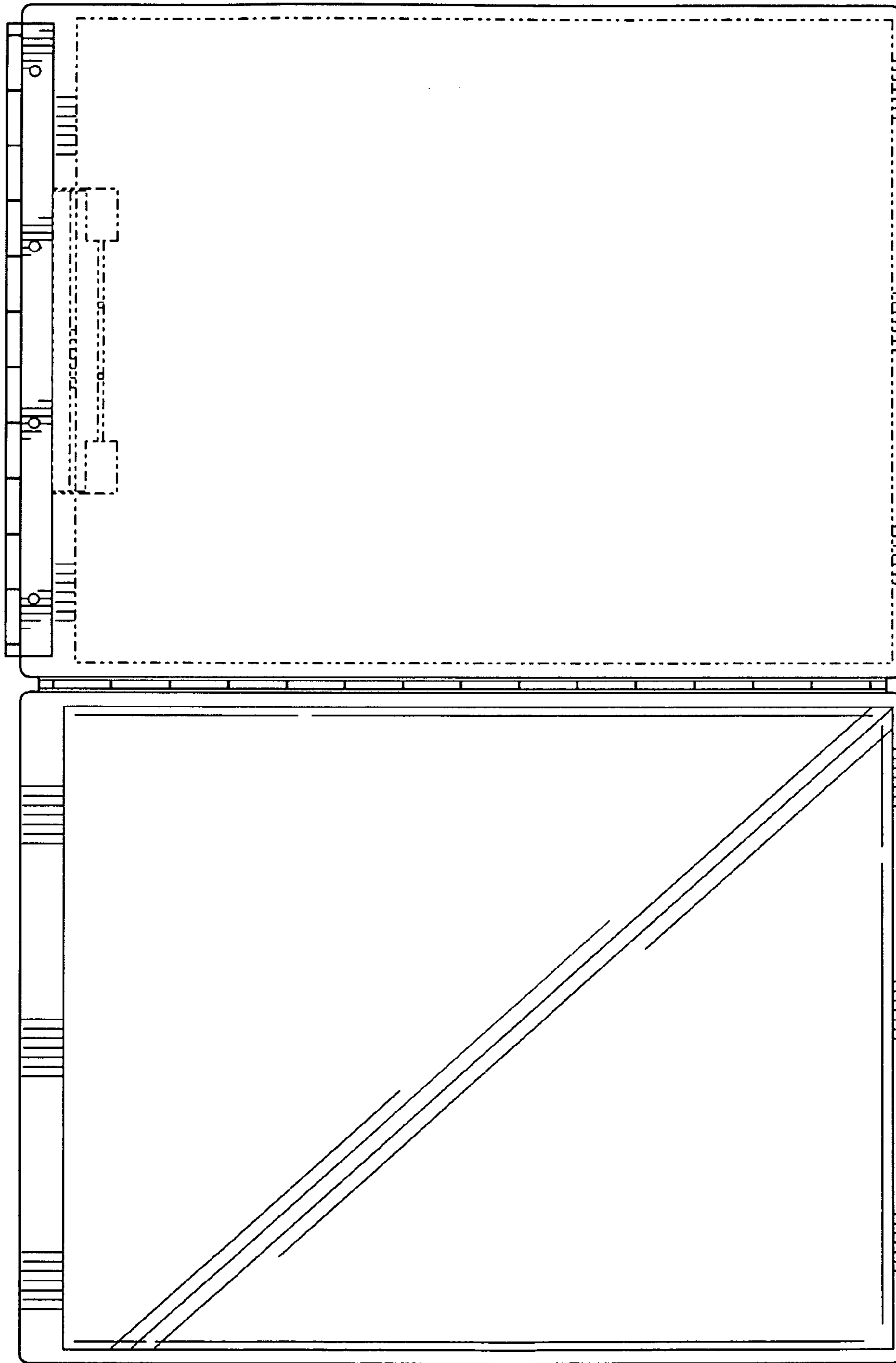


FIG. 4

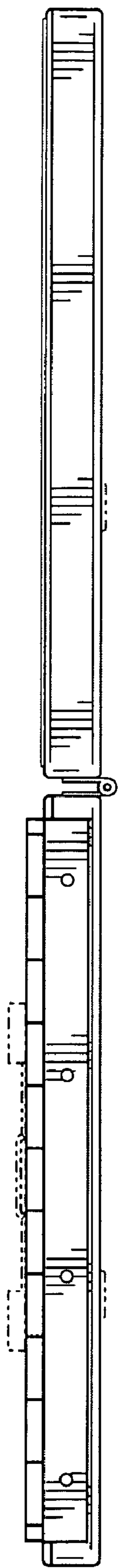


FIG. 5

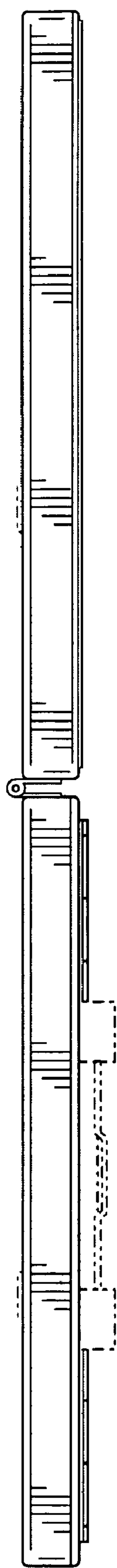


FIG. 6

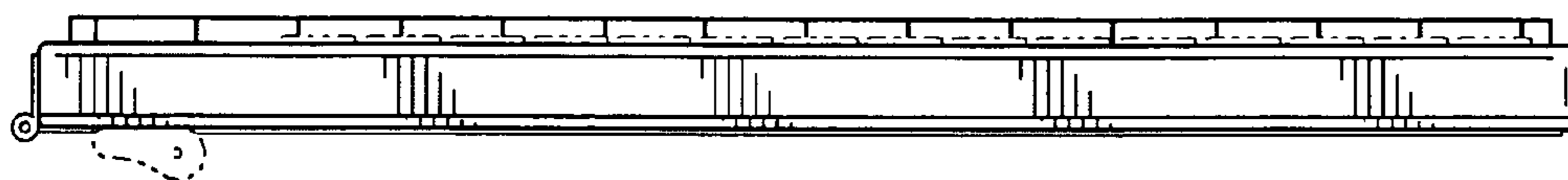


FIG. 8



FIG. 7

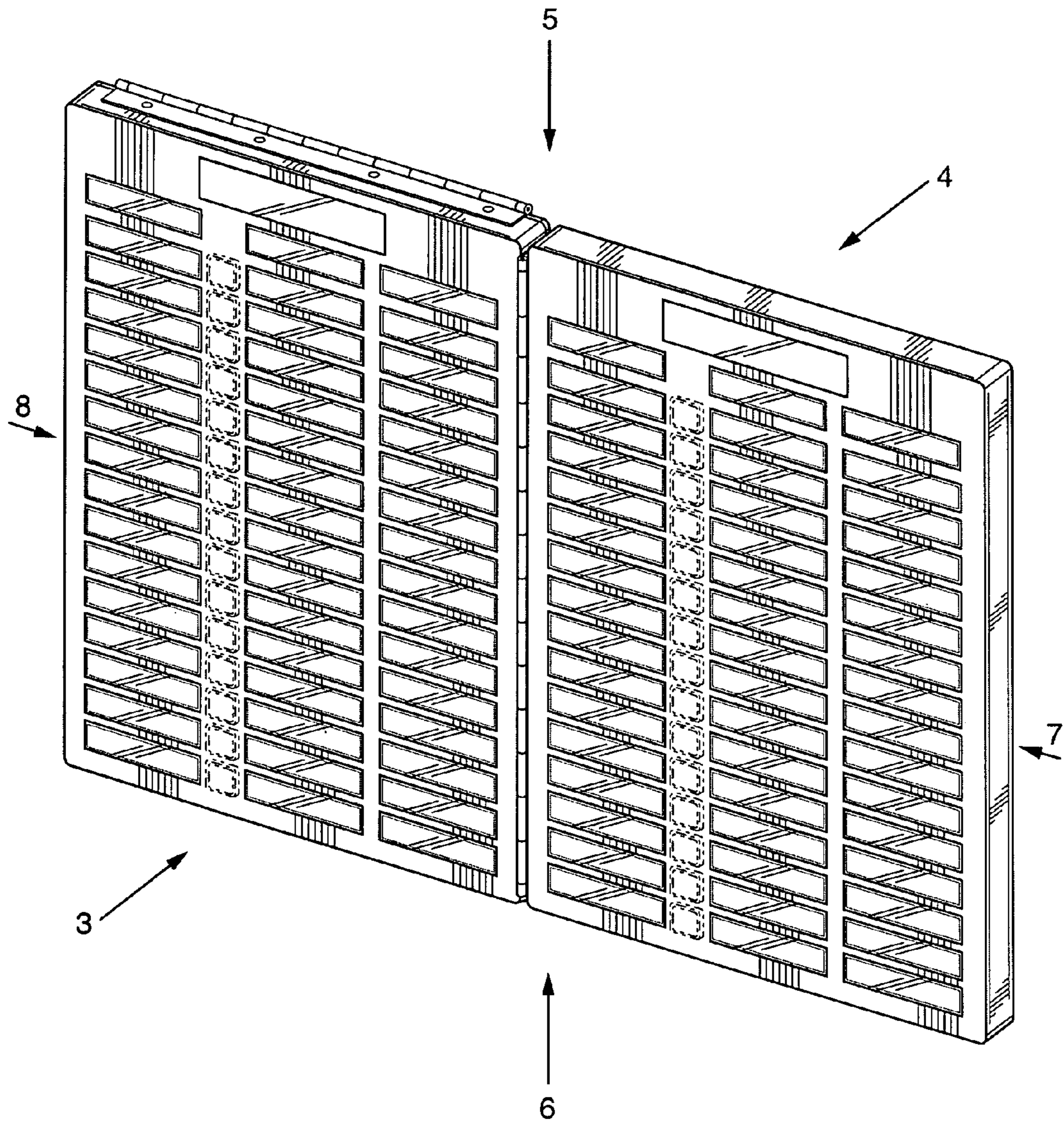


FIG. 9