



US00D660572S

(12) **United States Design Patent**  
**Mentha**

(10) **Patent No.:** **US D660,572 S**

(45) **Date of Patent:** **\*\* May 29, 2012**

(54) **FOOTWEAR**

EM	001810722-0024	1/2011
EM	001270896-0010	4/2011
ES	I0158142	10/2004

\* cited by examiner

(75) Inventor: **Alexandre Mentha**, Chez-le-bart (CH)

(73) Assignee: **Deckers Outdoor Corporation**, Goleta, CA (US)

*Primary Examiner* — Robert M Spear  
*Assistant Examiner* — Rashida C McCoy

(\*\*) Term: **14 Years**

(74) *Attorney, Agent, or Firm* — Greer, Burns & Crain, Ltd.

(21) Appl. No.: **29/405,786**

(57) **CLAIM**

The ornamental design for footwear, as shown and described.

(22) Filed: **Nov. 7, 2011**

**DESCRIPTION**

(51) **LOC (9) Cl.** ..... **02-04**

FIG. 1 is a perspective view of footwear showing my new design;

(52) **U.S. Cl.** ..... **D2/970**; D2/972

FIG. 2 is a first side elevational view thereof;

(58) **Field of Classification Search** ..... D2/901,

FIG. 3 is an opposite side elevational view thereof;

D2/902, 906, 909, 910, 913, 914, 915, 962,

FIG. 4 is a rear elevational view thereof;

D2/972, 973; 36/7.1 R, 113, 114, 126-130,

FIG. 5 is a front elevational view thereof;

36/132, 2 R, 1.5, 58.5, 69, 77 R

FIG. 6 is a top plan view thereof;

See application file for complete search history.

FIG. 7 is a bottom plan view thereof;

(56) **References Cited**

FIG. 8 is a perspective view of a second embodiment of footwear showing my new design;

**U.S. PATENT DOCUMENTS**

FIG. 9 is a first side elevational view thereof;

D192,784 S \* 5/1962 Bradley ..... D2/915

FIG. 10 is an opposite side elevational view thereof;

D215,139 S \* 9/1969 Schwartz ..... D2/910

FIG. 11 is a rear elevational view thereof;

D216,941 S \* 3/1970 Schwartz ..... D2/910

FIG. 12 is a front elevational view thereof;

4,179,826 A \* 12/1979 Davidson ..... 36/69

FIG. 13 is a top plan view thereof;

5,172,494 A \* 12/1992 Davidson ..... 36/35 R

FIG. 14 is a bottom plan view thereof;

D518,946 S \* 4/2006 Williams ..... D2/972

FIG. 15 is a perspective view of a third embodiment of footwear showing my new design;

D519,726 S \* 5/2006 Duclos ..... D2/972

FIG. 16 is a first side elevational view thereof;

D536,516 S \* 2/2007 Sanders ..... D2/946

FIG. 17 is an opposite side elevational view thereof;

D566,959 S \* 4/2008 Lamont ..... D2/972

FIG. 18 is a rear elevational view thereof;

D629,189 S \* 12/2010 Feldman ..... D2/972

FIG. 19 is a front elevational view thereof;

D640,865 S \* 7/2011 Selbiger ..... D2/972

FIG. 20 is a top plan view thereof; and,

**FOREIGN PATENT DOCUMENTS**

FIG. 21 is a bottom plan view thereof.

DE 40600901 7/2006

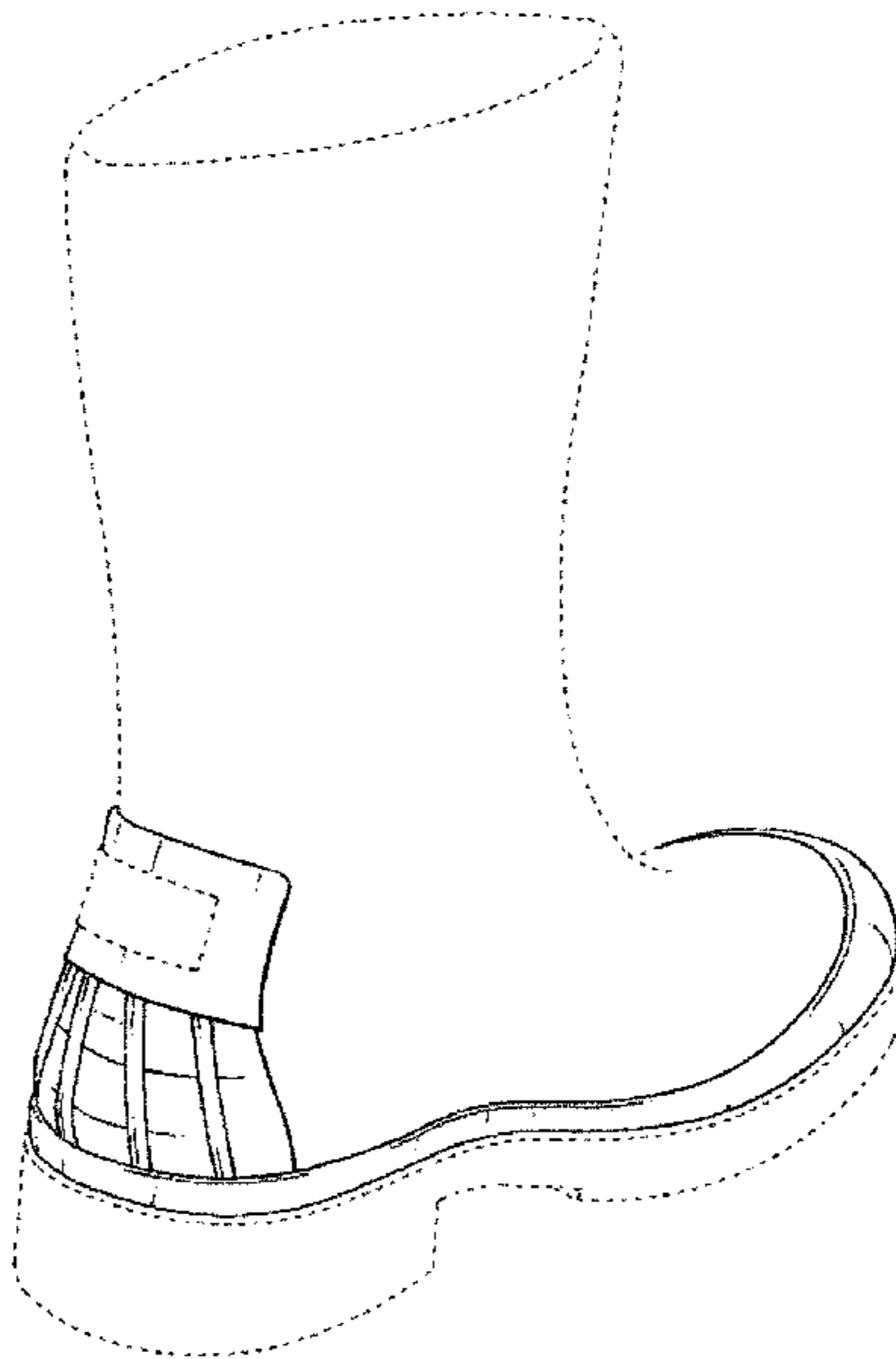
The broken lines in FIGS. 1-21 represent portions of the footwear that form no part of the claimed design.

EM 000037833-0040 5/2003

EM 000386552-0006 8/2005

EM 001701525-0002 4/2010

**1 Claim, 15 Drawing Sheets**



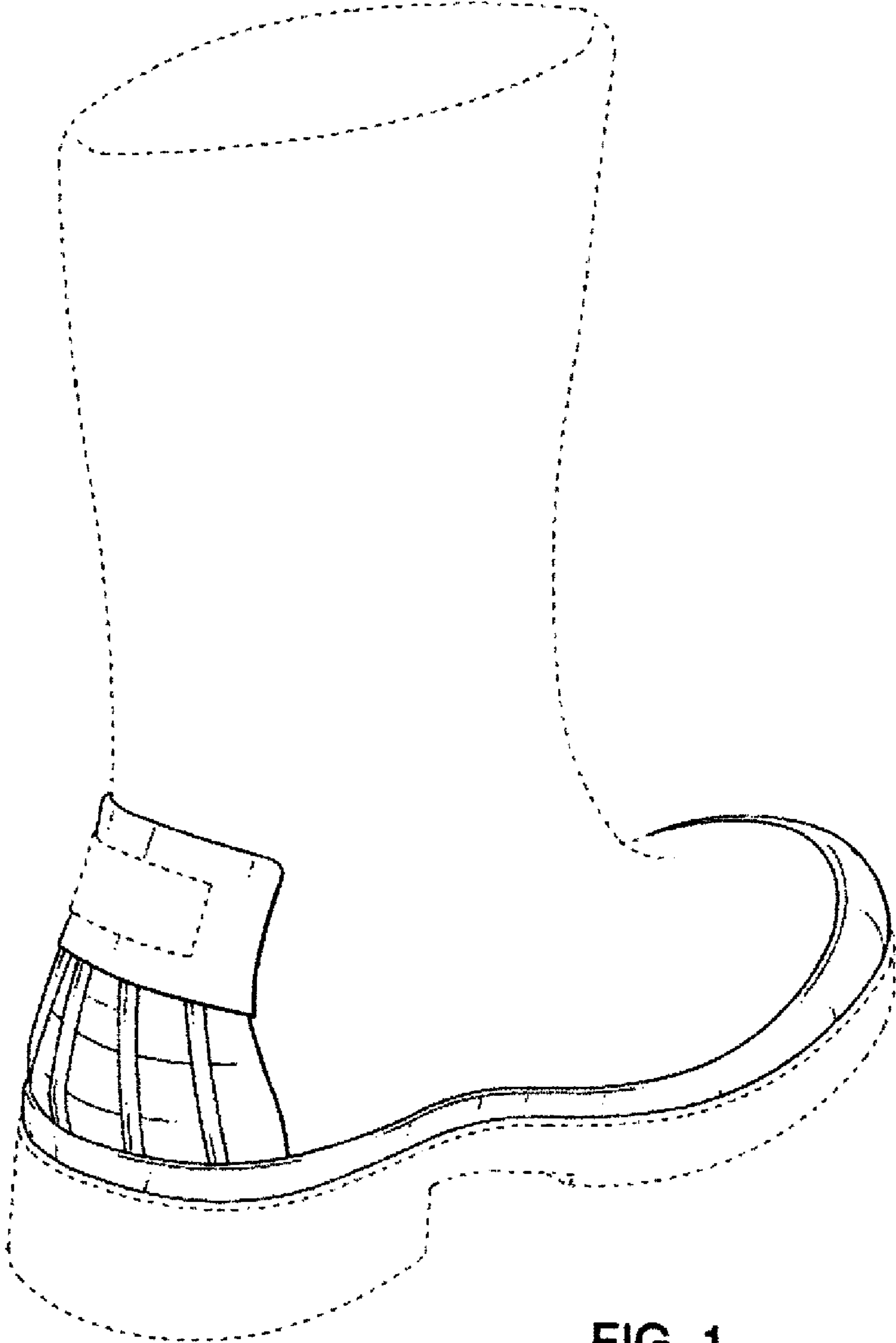


FIG. 1

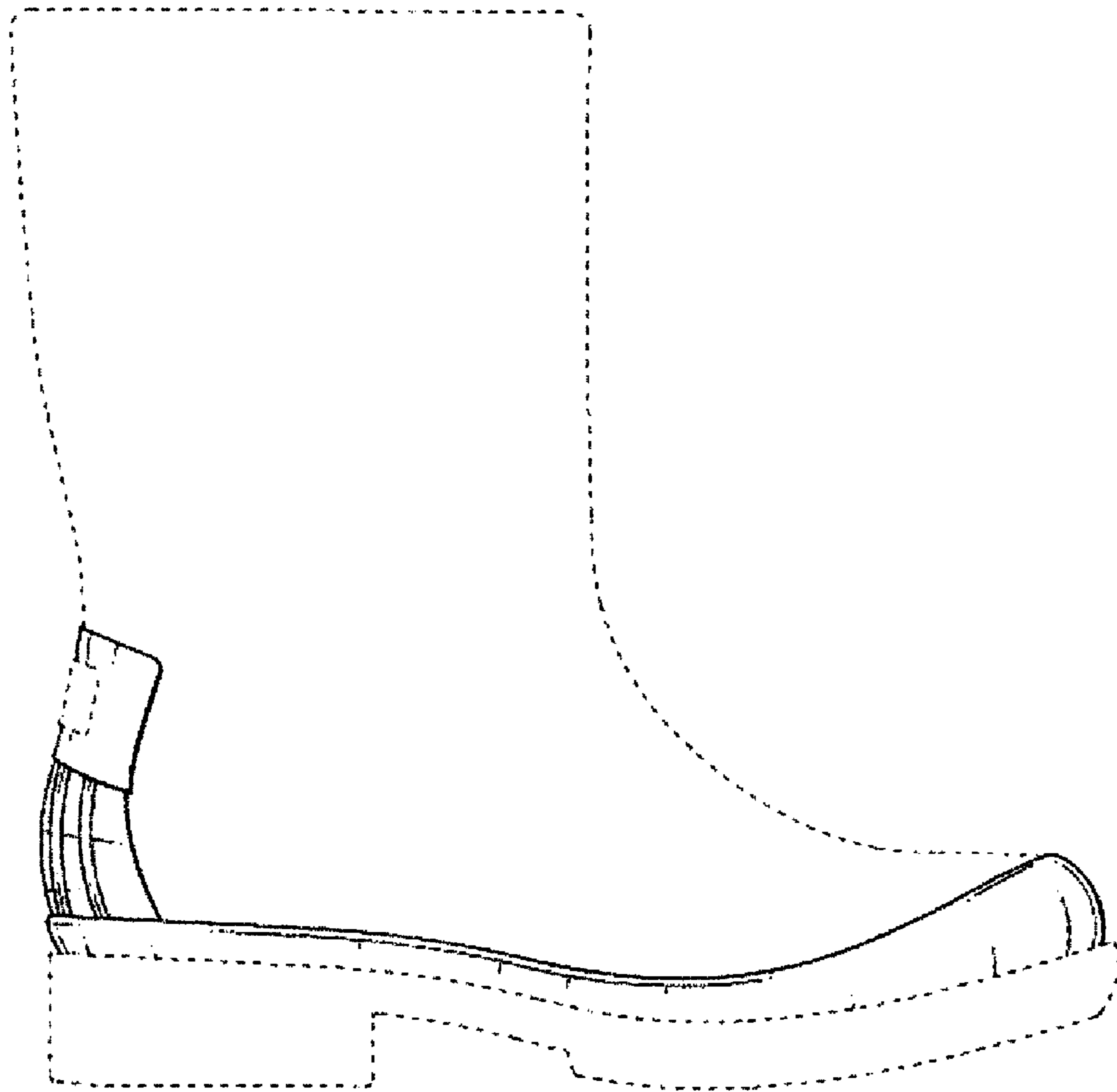


FIG. 2



FIG. 3

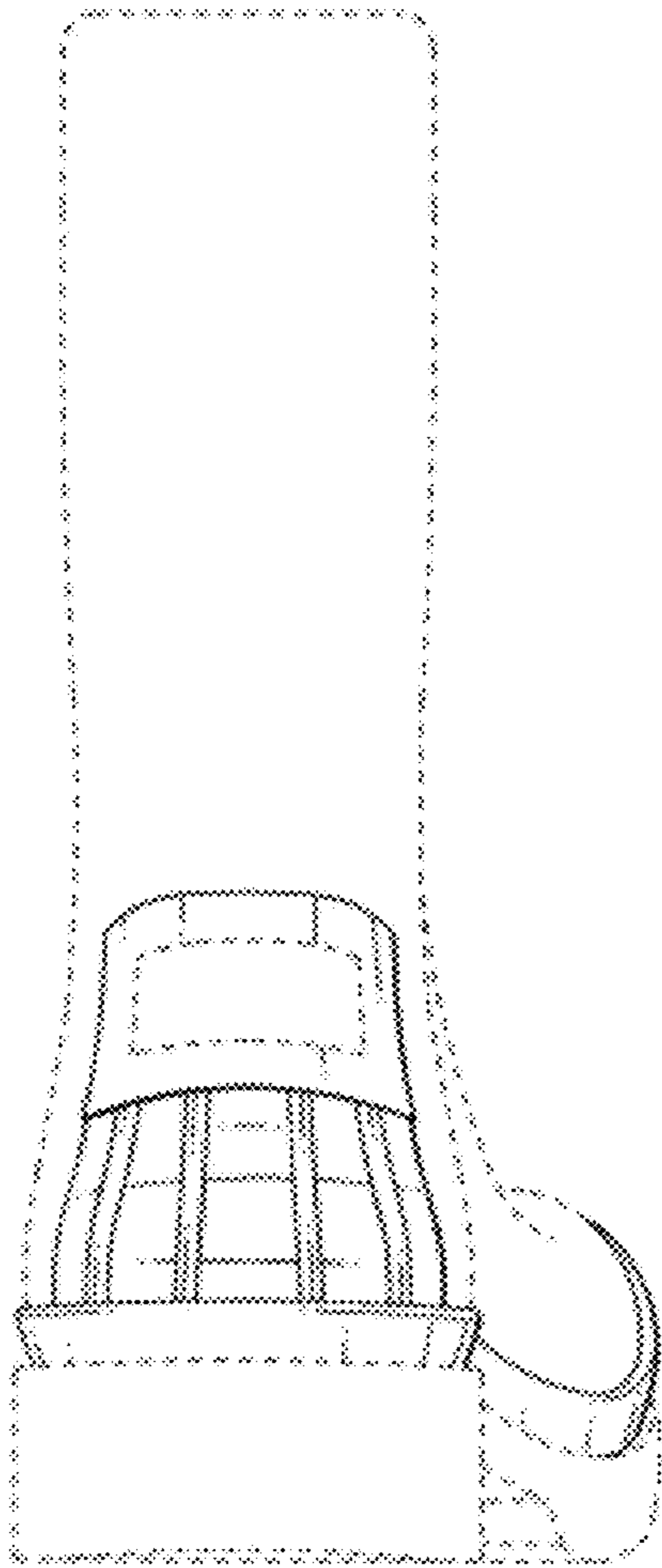


FIG. 4



FIG. 5

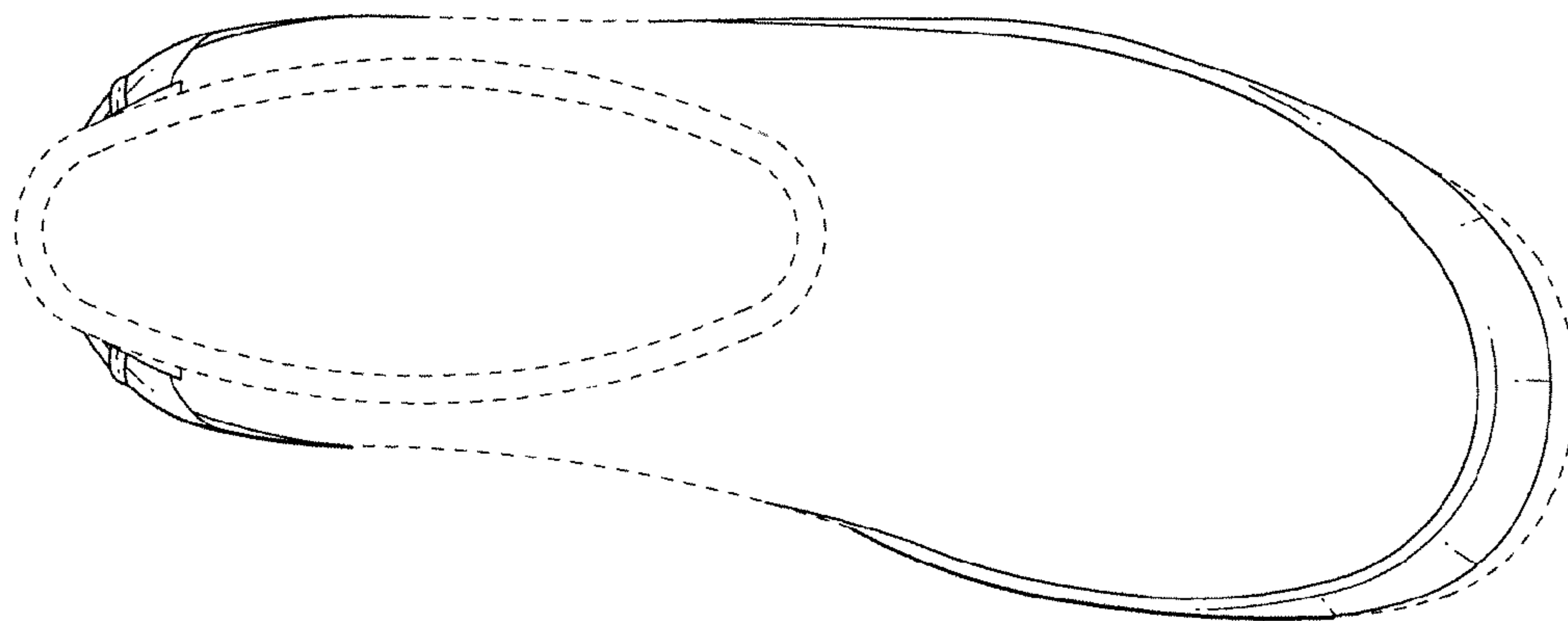


FIG. 6

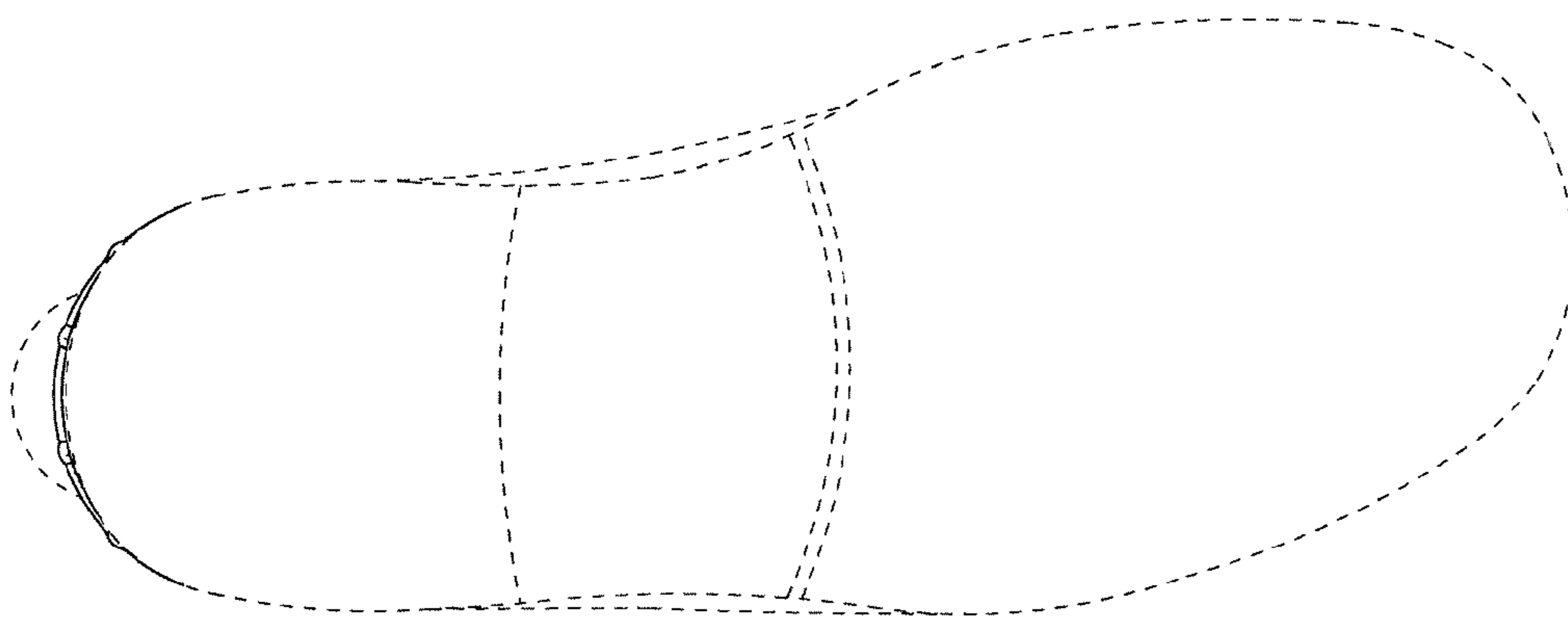


FIG. 7

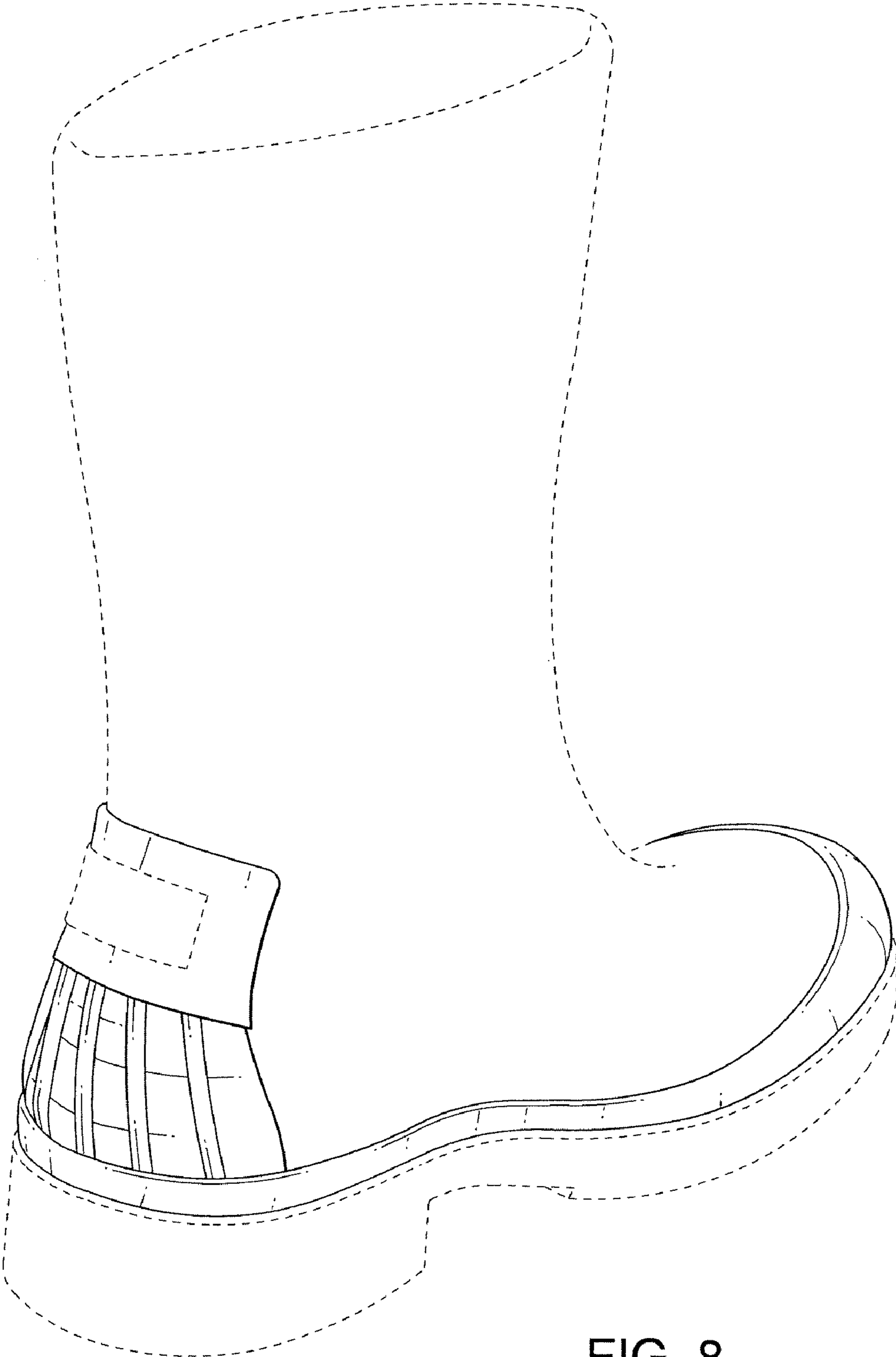


FIG. 8



FIG. 9



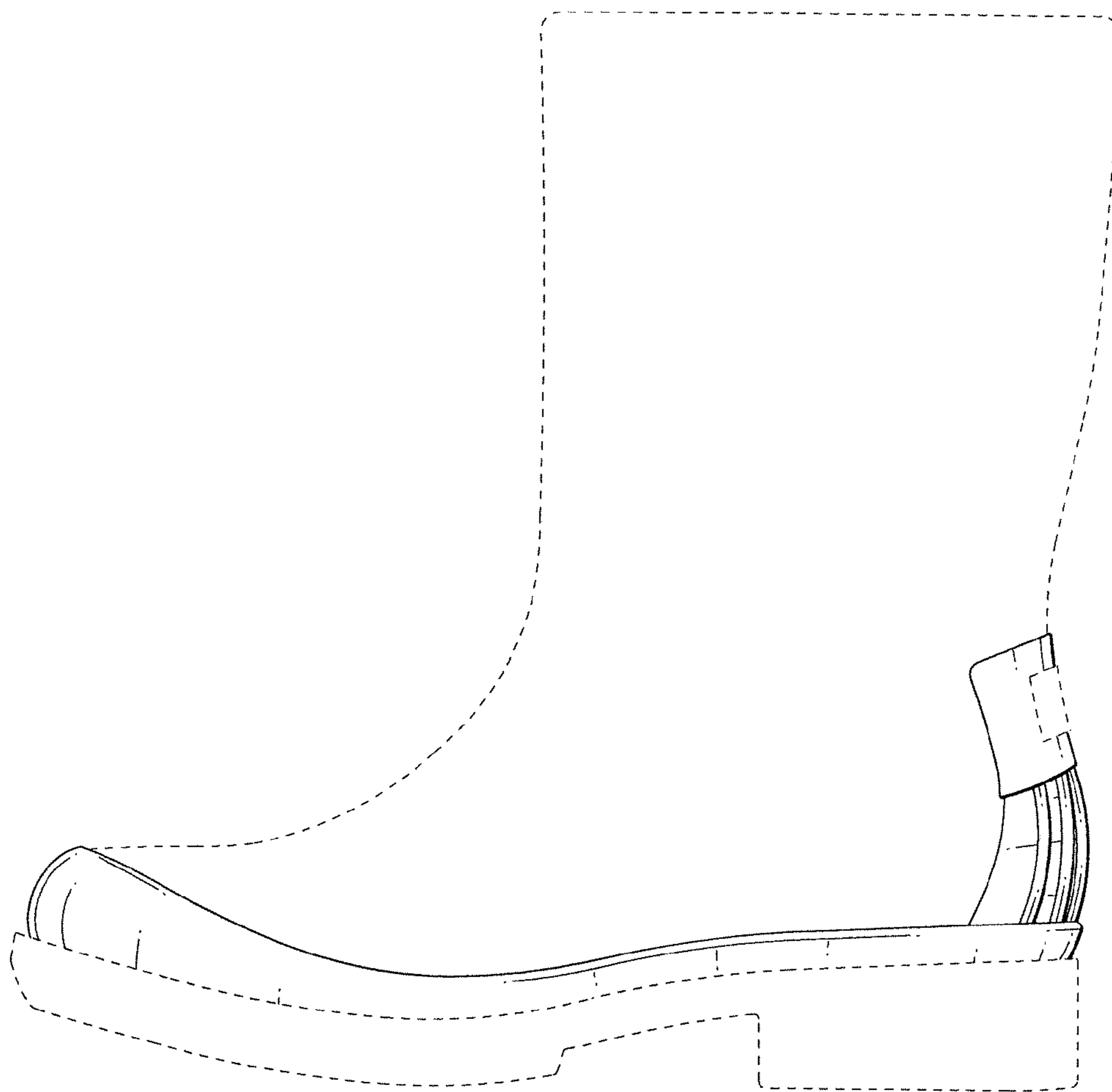


FIG. 10

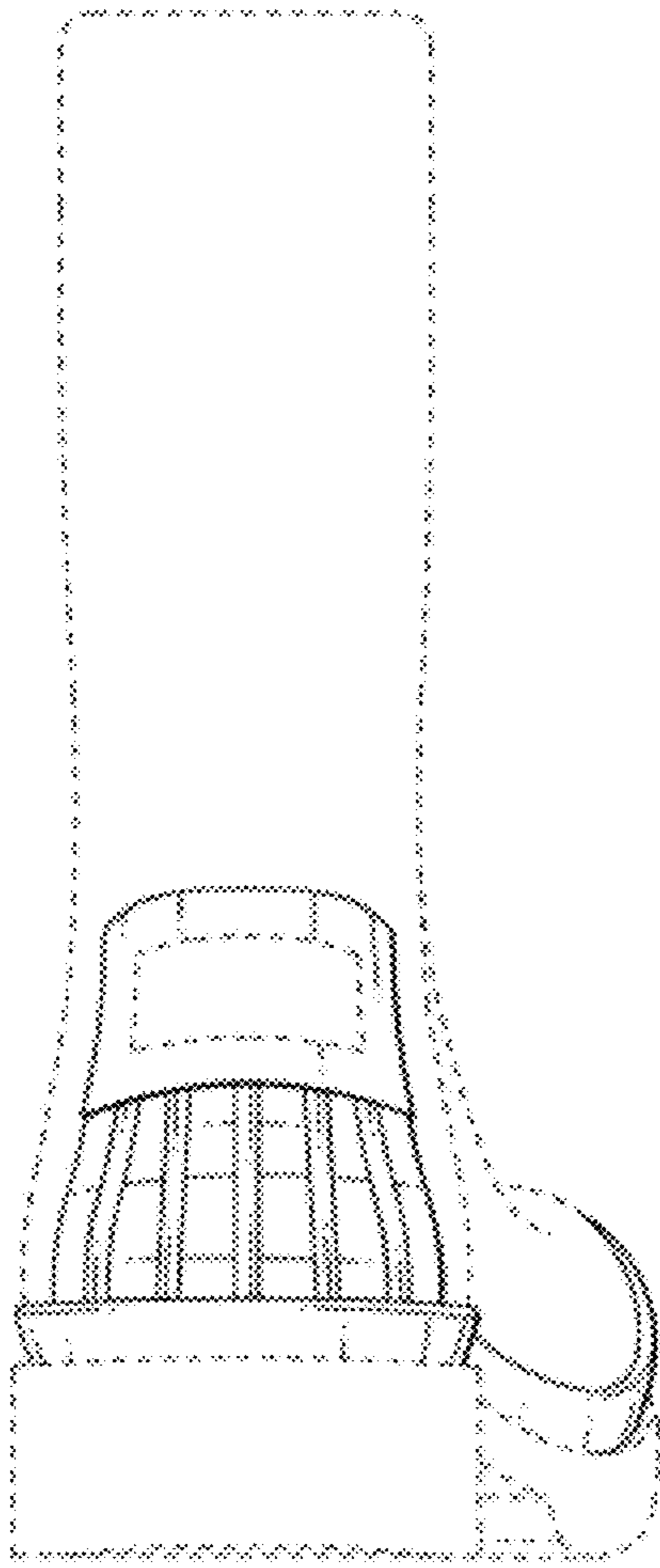


FIG. 11



FIG. 12

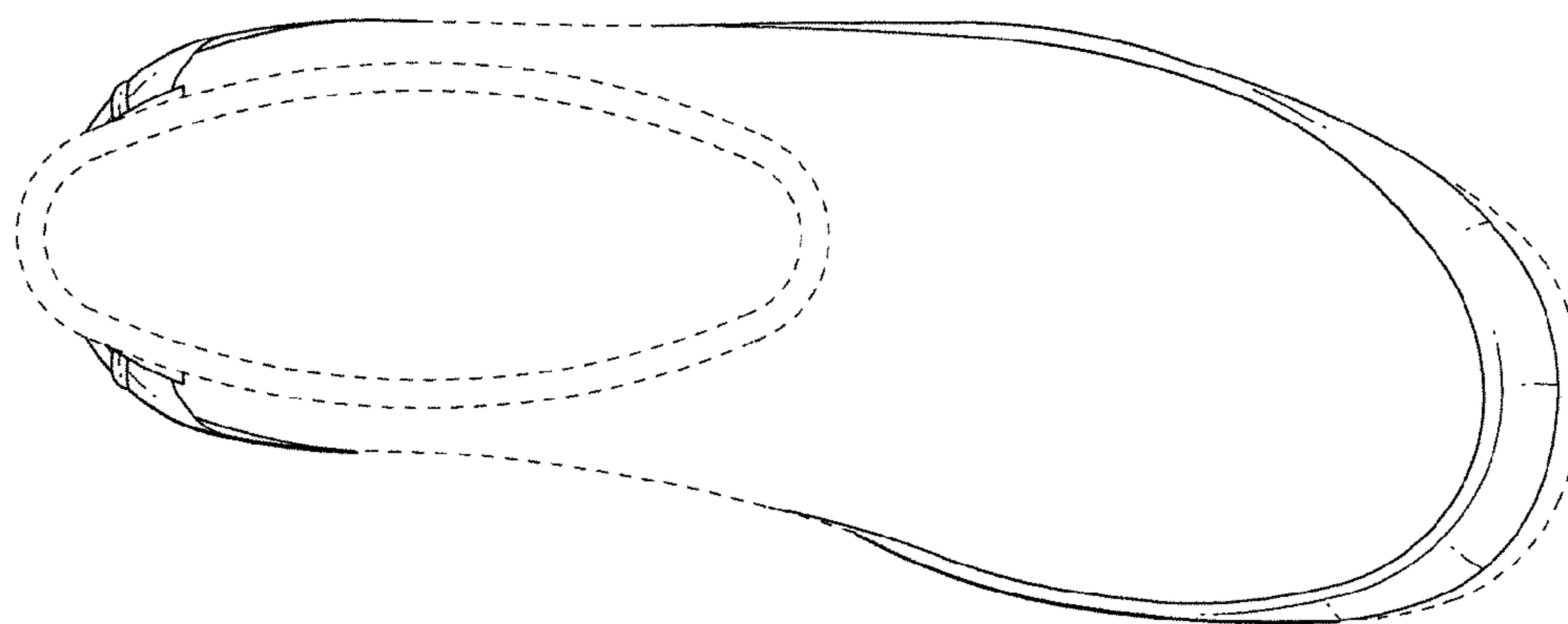


FIG. 13

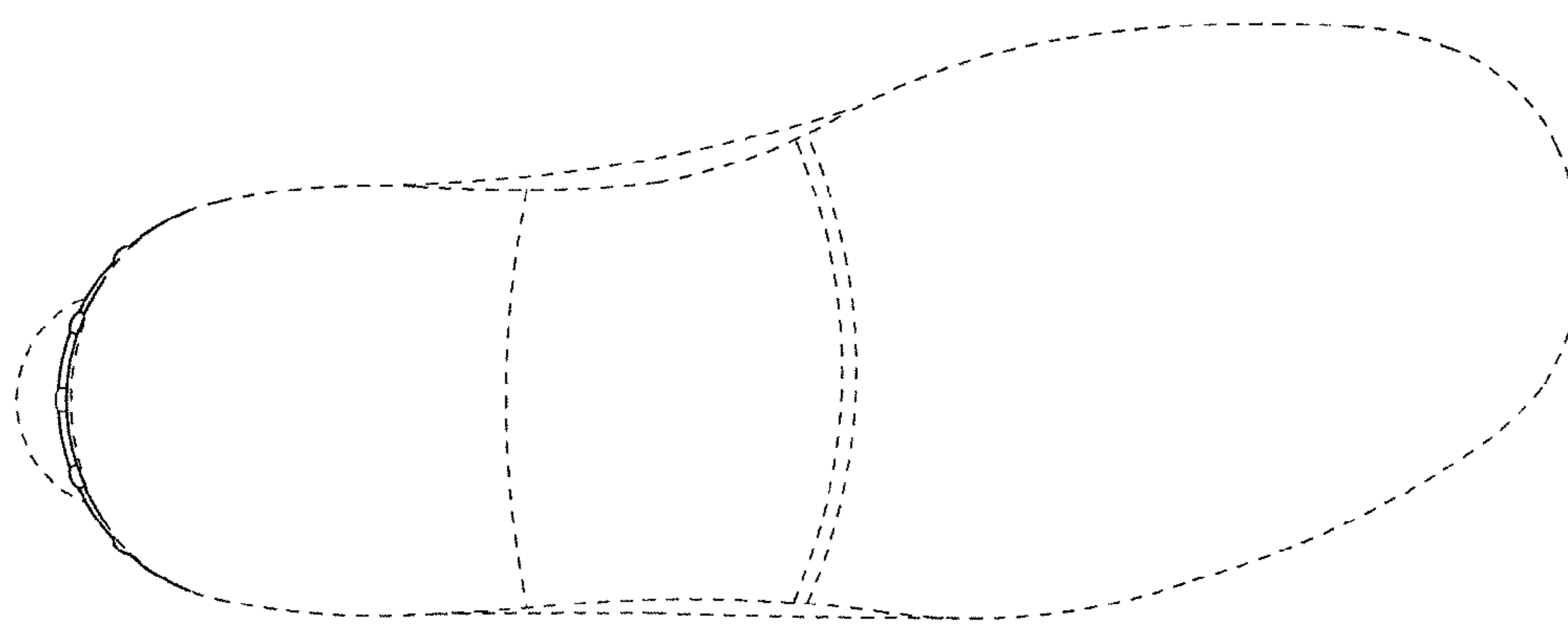


FIG. 14

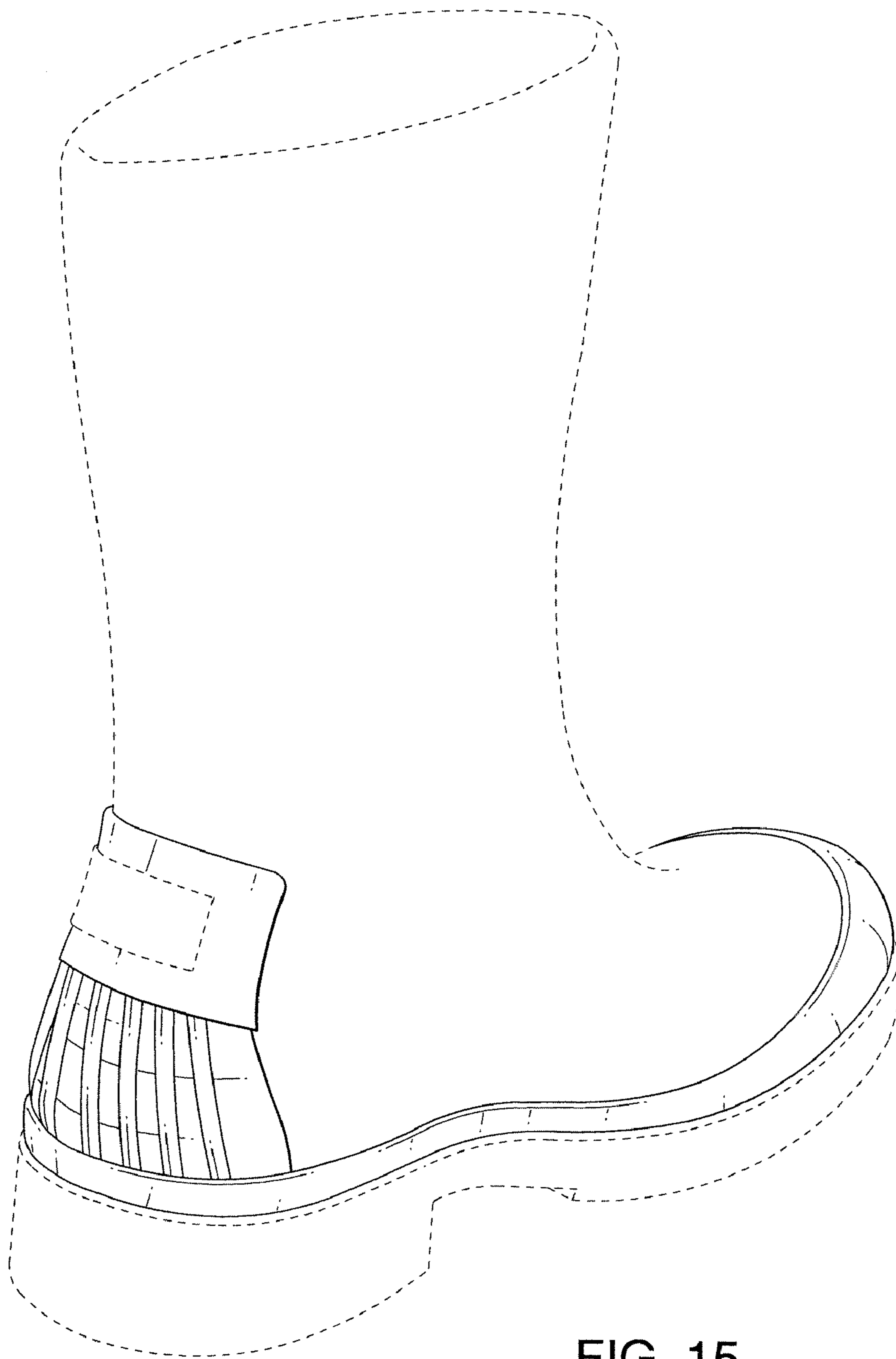


FIG. 15

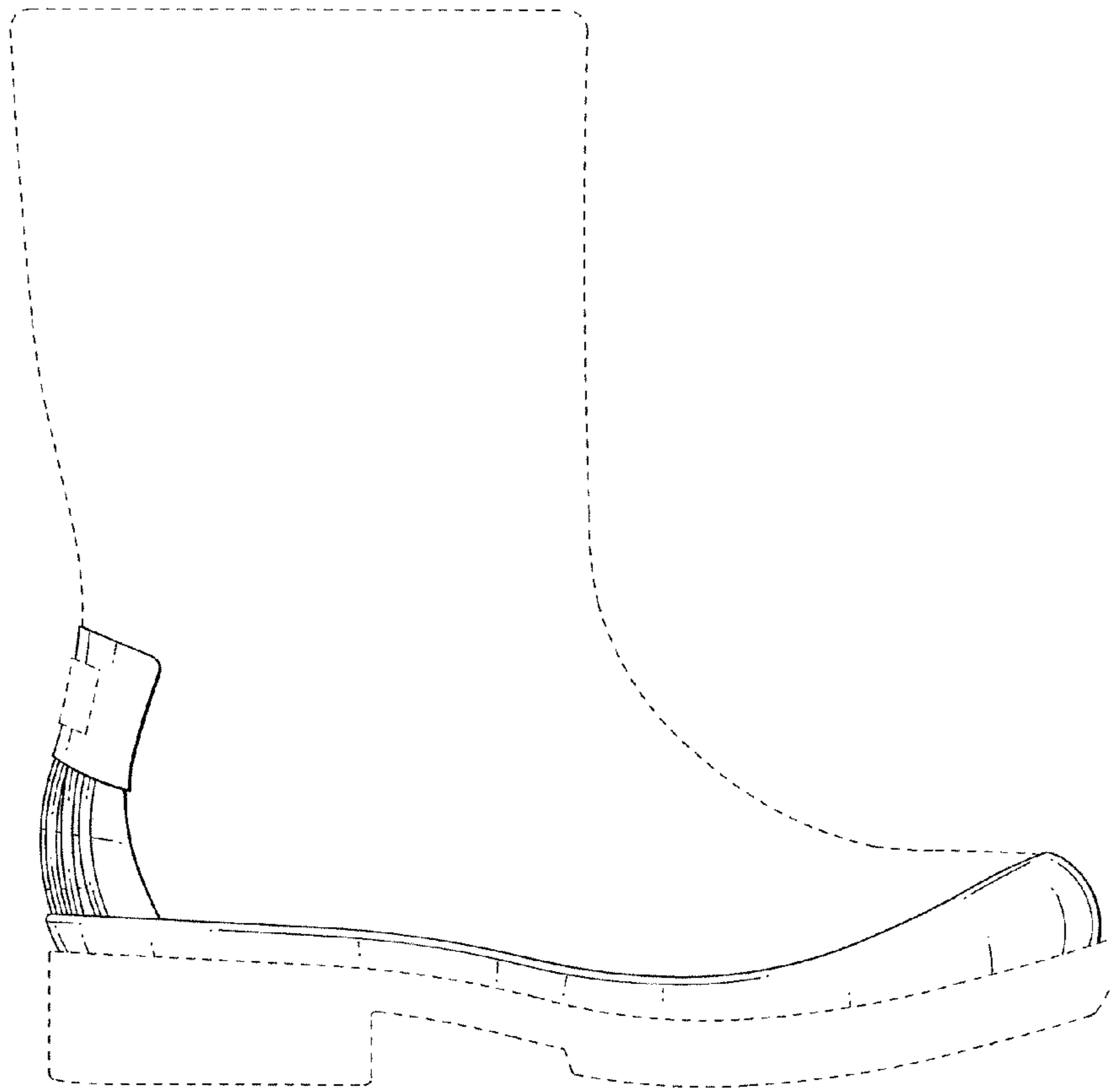


FIG. 16



FIG. 17

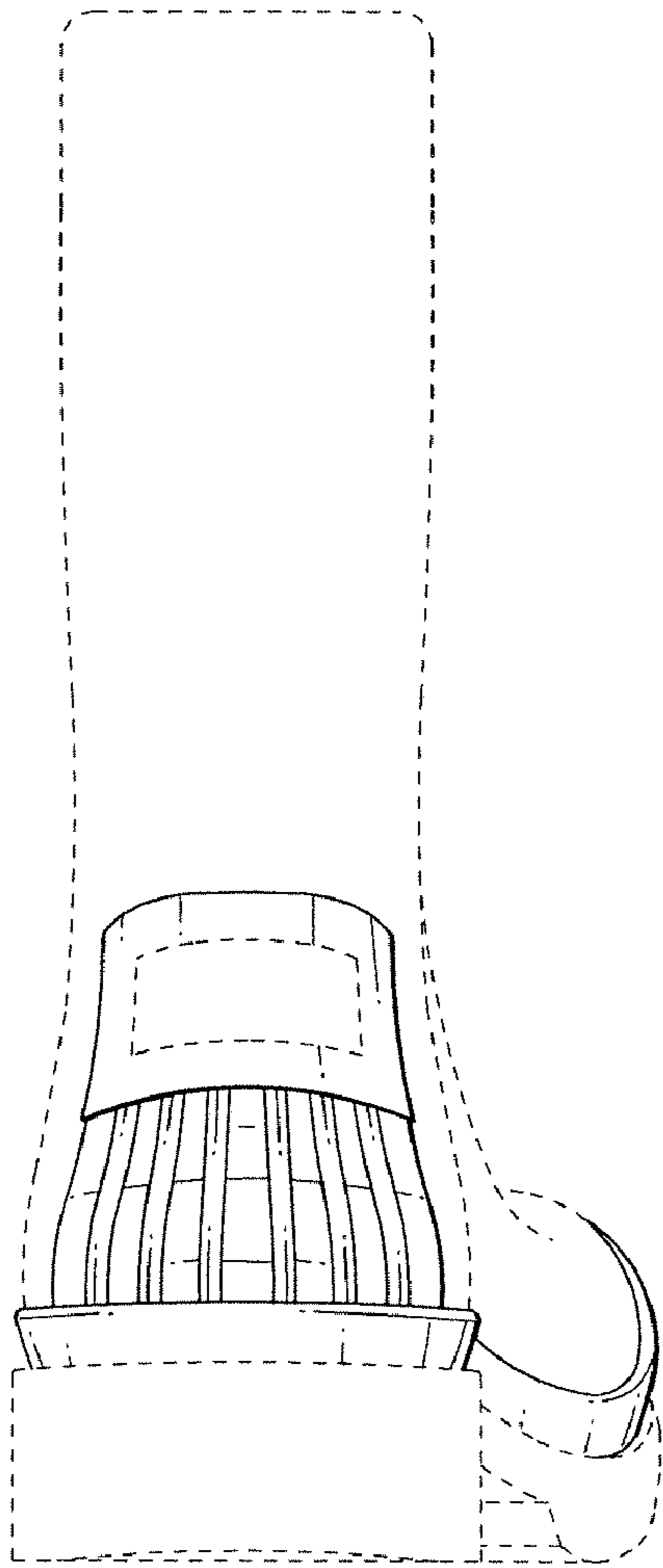


FIG. 18

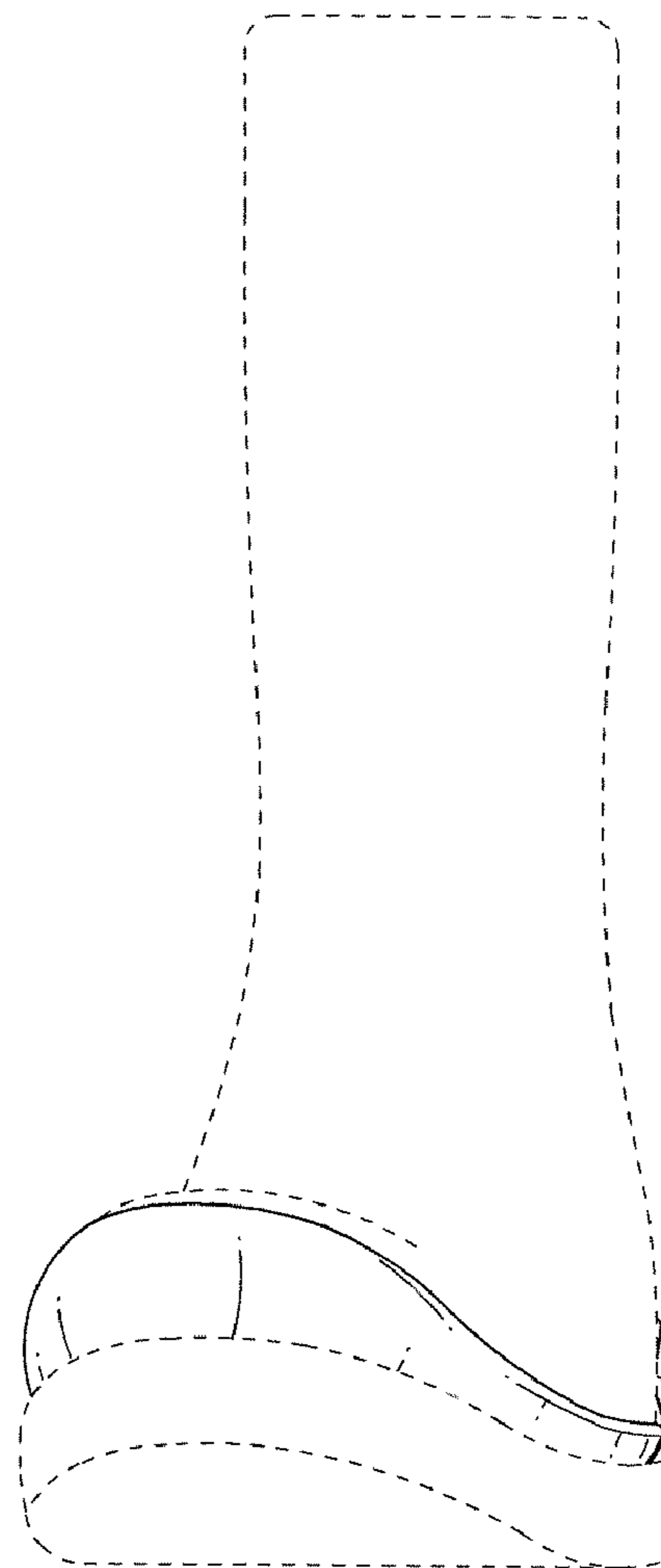


FIG. 19

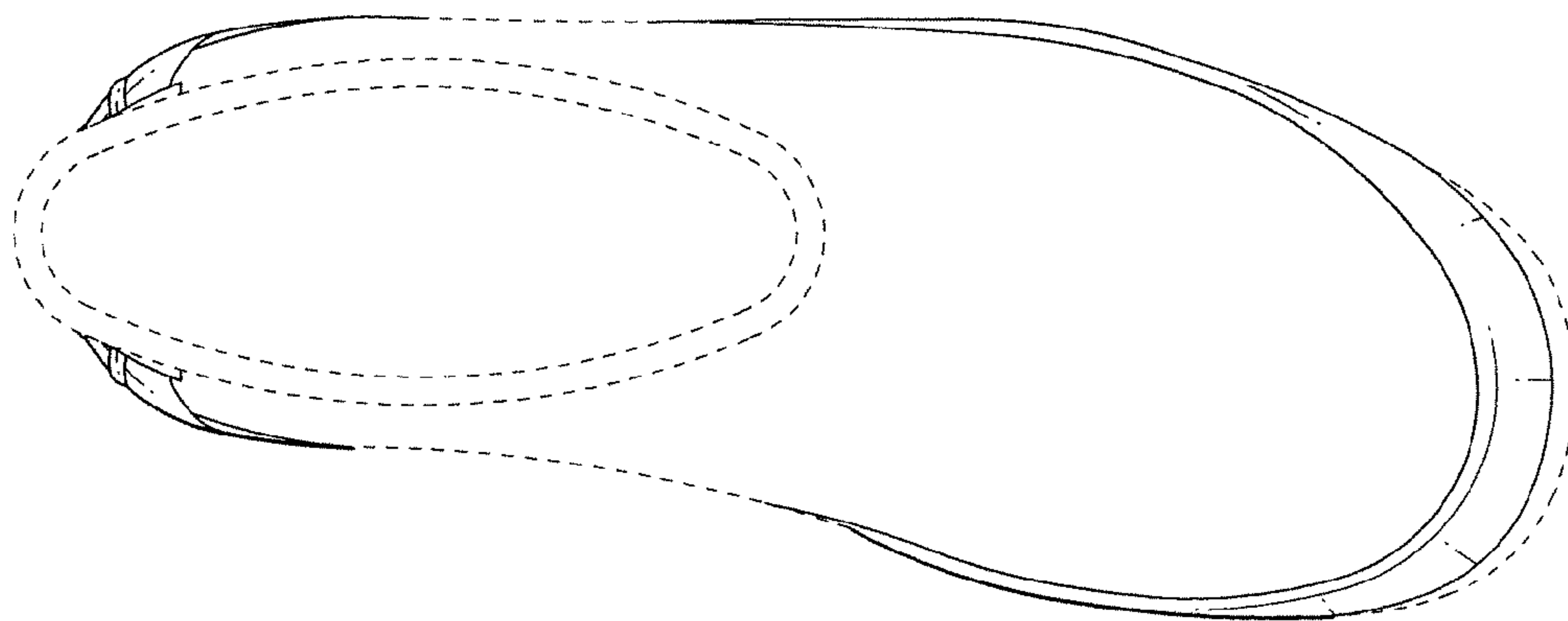


FIG. 20

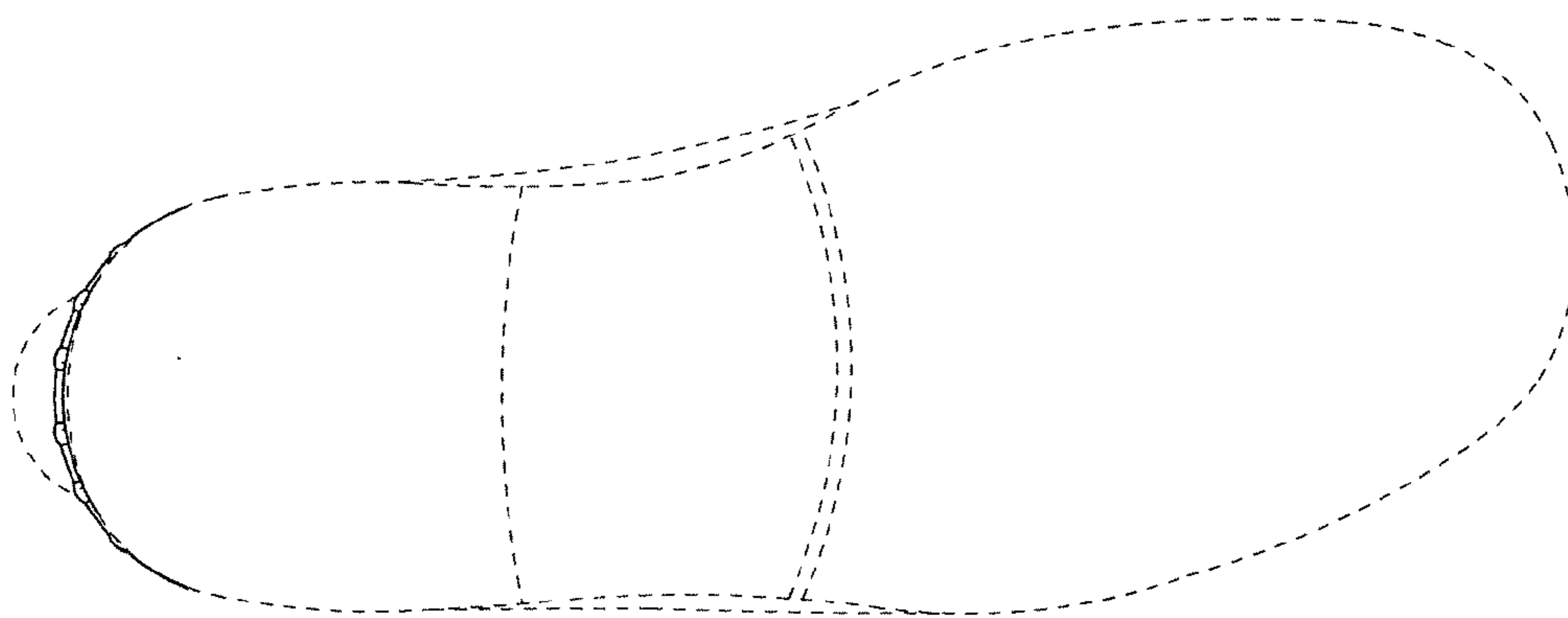


FIG. 21