



US00D660566S

(12) **United States Design Patent**
Van Zyll De Jong et al.

(10) **Patent No.:** **US D660,566 S**
(45) **Date of Patent:** **** May 29, 2012**

(54) **SHOE**

(75) Inventors: **Damian Van Zyll De Jong**, Vancouver (CA); **Matthew Philip Dorrington Penner**, Vancouver (CA); **Thomas Allen Claypool**, Venice, CA (US)

(73) Assignee: **Native Shoes, Ltd.**, Central, Hong Kong (CN)

(**) Term: **14 Years**

(21) Appl. No.: **29/380,934**

(22) Filed: **Dec. 13, 2010**

(51) **LOC (9) Cl.** **02-04**

(52) **U.S. Cl.** **D2/945**

(58) **Field of Classification Search** D2/896,
D2/902, 903, 906, 907, 908, 929, 934, 937,
D2/938, 942, 943, 944, 945, 951, 969, 972-975,
D2/977; 36/83, 45, 46.5, 47, 48, 49, 50.1,
36/88, 113, 114, 126-131, 25 R, 28, 29, 30 R,
36/30 A, 31, 32 R, 77 R
See application file for complete search history.

(56) **References Cited**

U.S. PATENT DOCUMENTS

D96,687 S *	8/1935	Lutz	D2/945
D102,898 S *	1/1937	Kalmon	D2/942
D227,820 S *	7/1973	Cohen	D2/900
D237,427 S *	11/1975	Thornberry	D2/907
D239,145 S *	3/1976	Fisher	D2/907
D239,146 S *	3/1976	Gavin	D2/900
D423,203 S *	4/2000	Tu	D2/969

D435,959 S *	1/2001	Akhidime	D2/969
D447,858 S *	9/2001	Matis et al.	D2/969
D448,148 S *	9/2001	Matis et al.	D2/969
D458,442 S *	6/2002	Matis	D2/969
D493,949 S *	8/2004	Magro	D2/907
D624,288 S *	9/2010	Choi	D2/896
D632,876 S *	2/2011	Choi	D2/896
D645,648 S *	9/2011	Lonigan	D2/923
D651,390 S *	1/2012	Van Zyll De Jong et al.	D2/969

OTHER PUBLICATIONS

U.S. Appl. No. 29/368,666, filed Aug. 26, 2010, Damian Van Zyll De Jong, et al.

* cited by examiner

Primary Examiner — Elizabeth J Oswecki

(74) *Attorney, Agent, or Firm* — Ingrassia Fisher & Lorenz, P.C.

(57) **CLAIM**

The ornamental design for shoe, as shown and described.

DESCRIPTION

FIG. 1 is a top perspective view of a shoe, showing our new design;

FIG. 2 is a front view of the shoe shown in FIG. 1;

FIG. 3 is a rear view of the shoe shown in FIG. 1;

FIG. 4 is an inner side view of the shoe shown in FIG. 1;

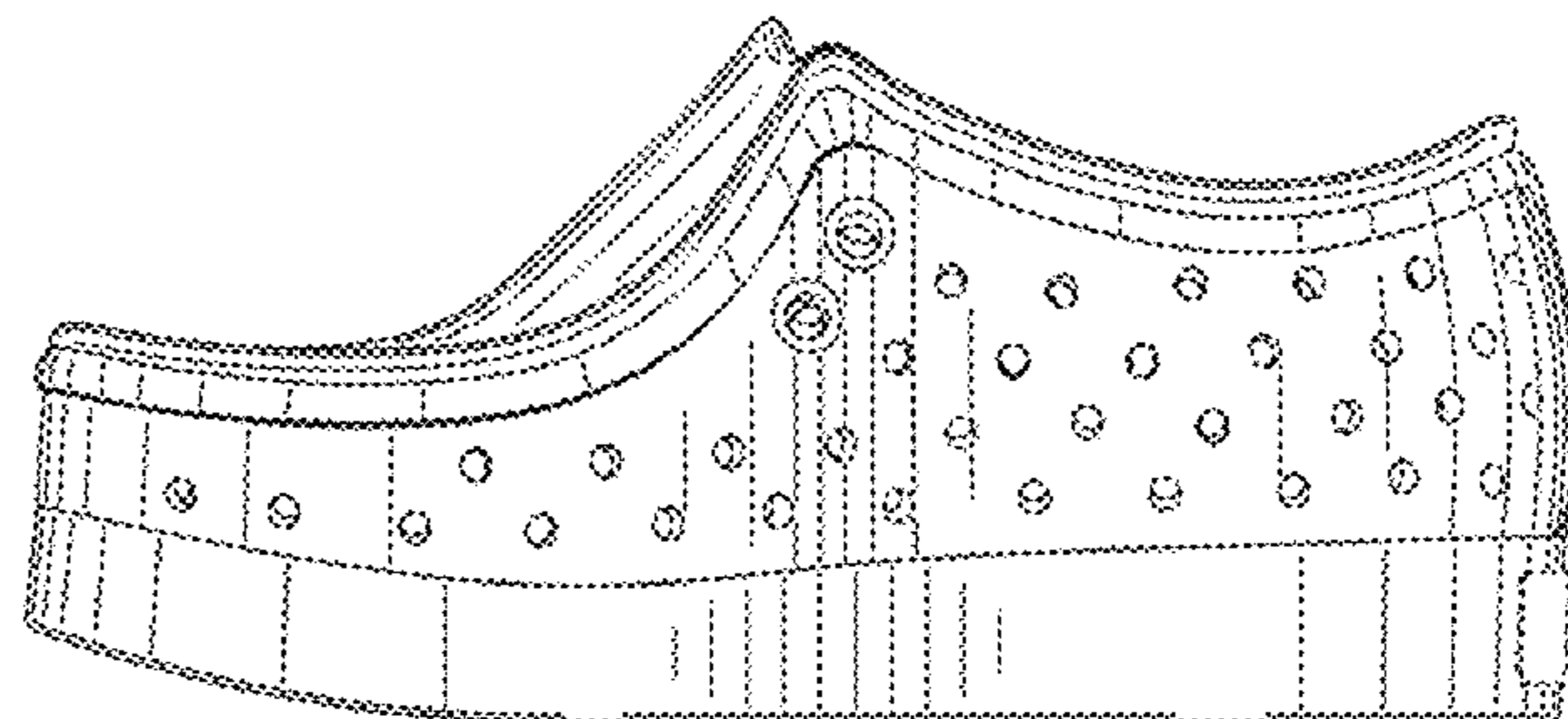
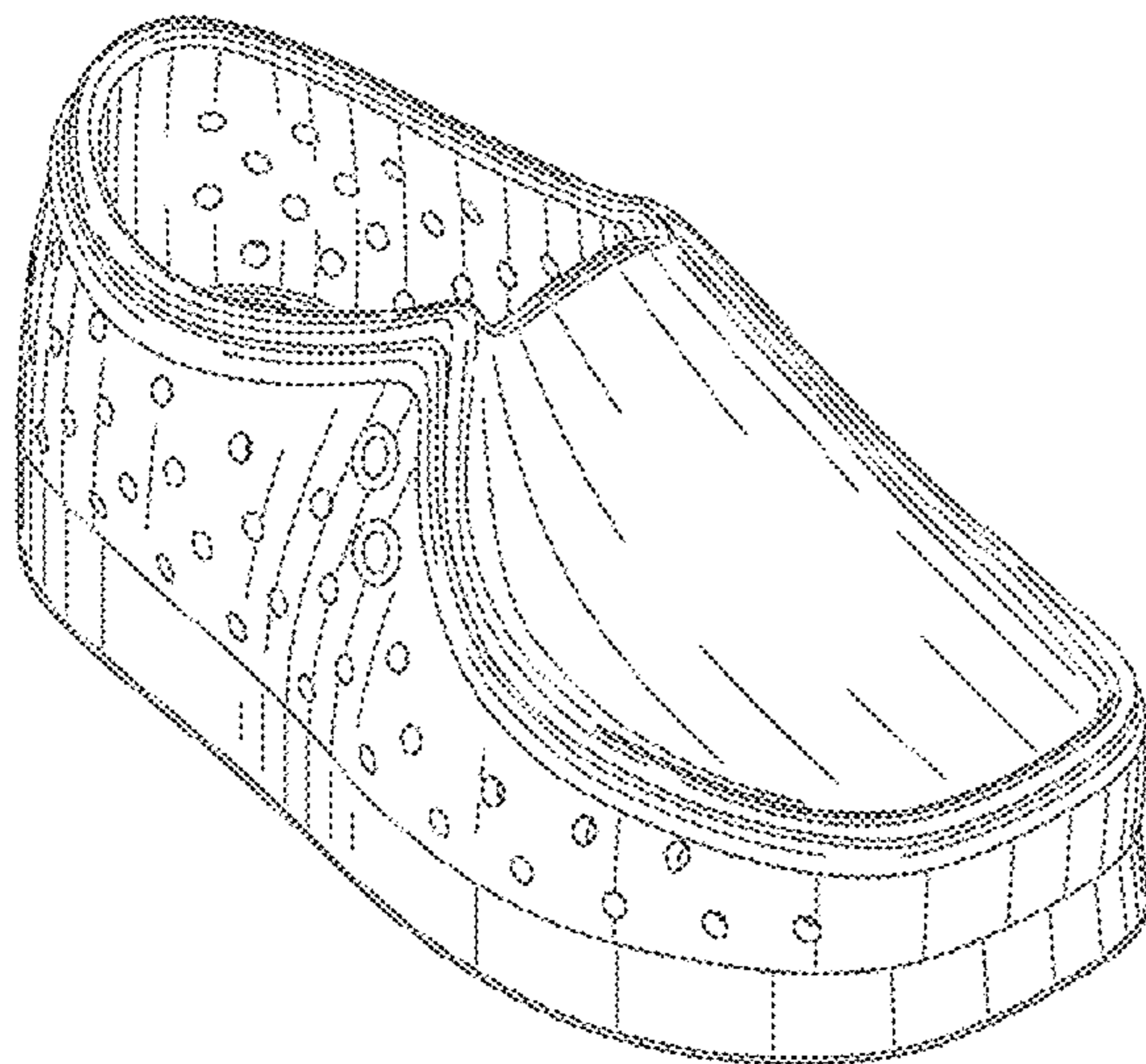
FIG. 5 is an outer side view of the shoe shown in FIG. 1;

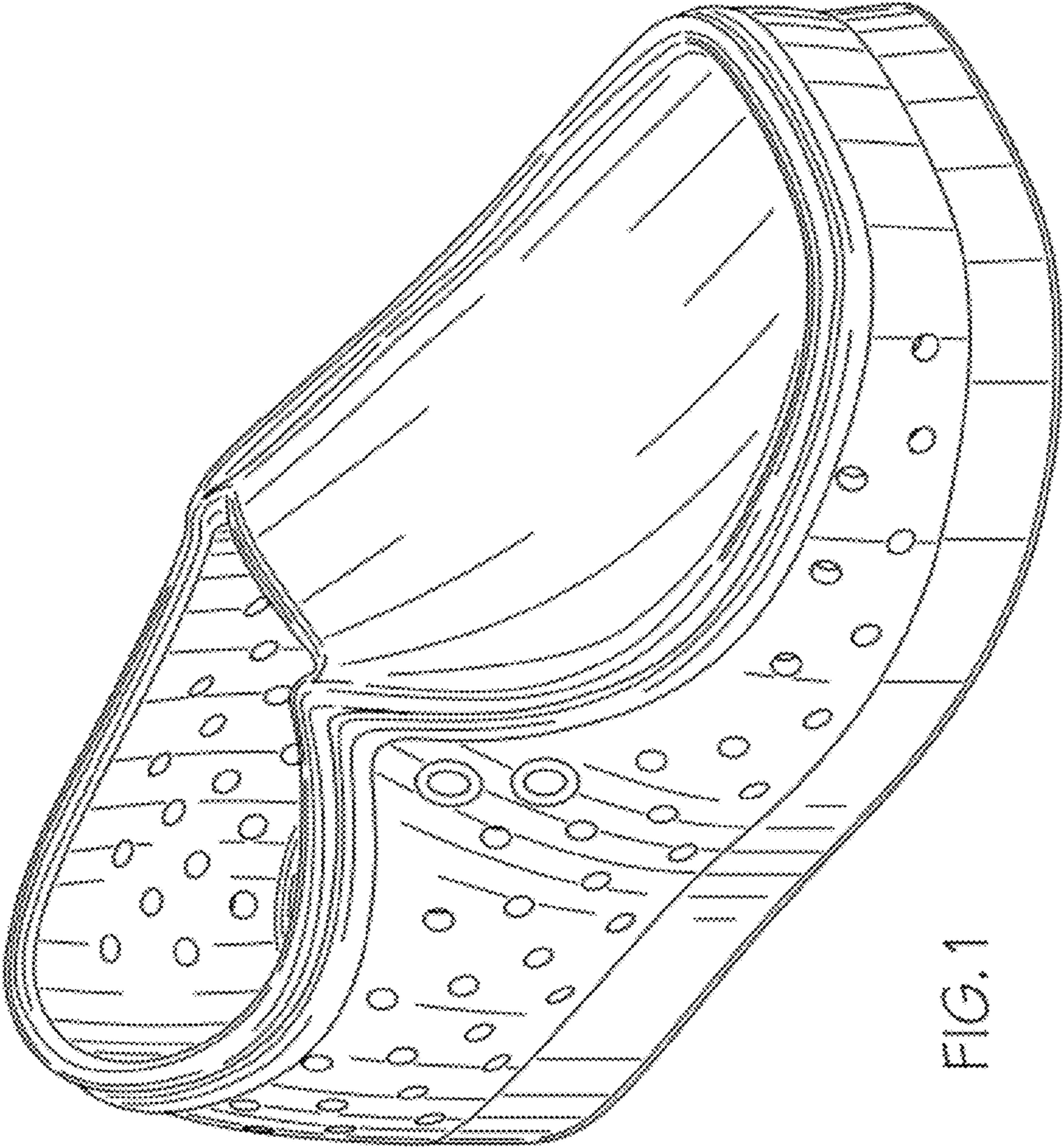
FIG. 6 is a top view of the shoe shown in FIG. 1; and,

FIG. 7 is a bottom view of the shoe shown in FIG. 1.

In the drawings, the broken lines in FIGS. 2-5 and 7 depict portions of the design that form no part of the claim.

1 Claim, 5 Drawing Sheets





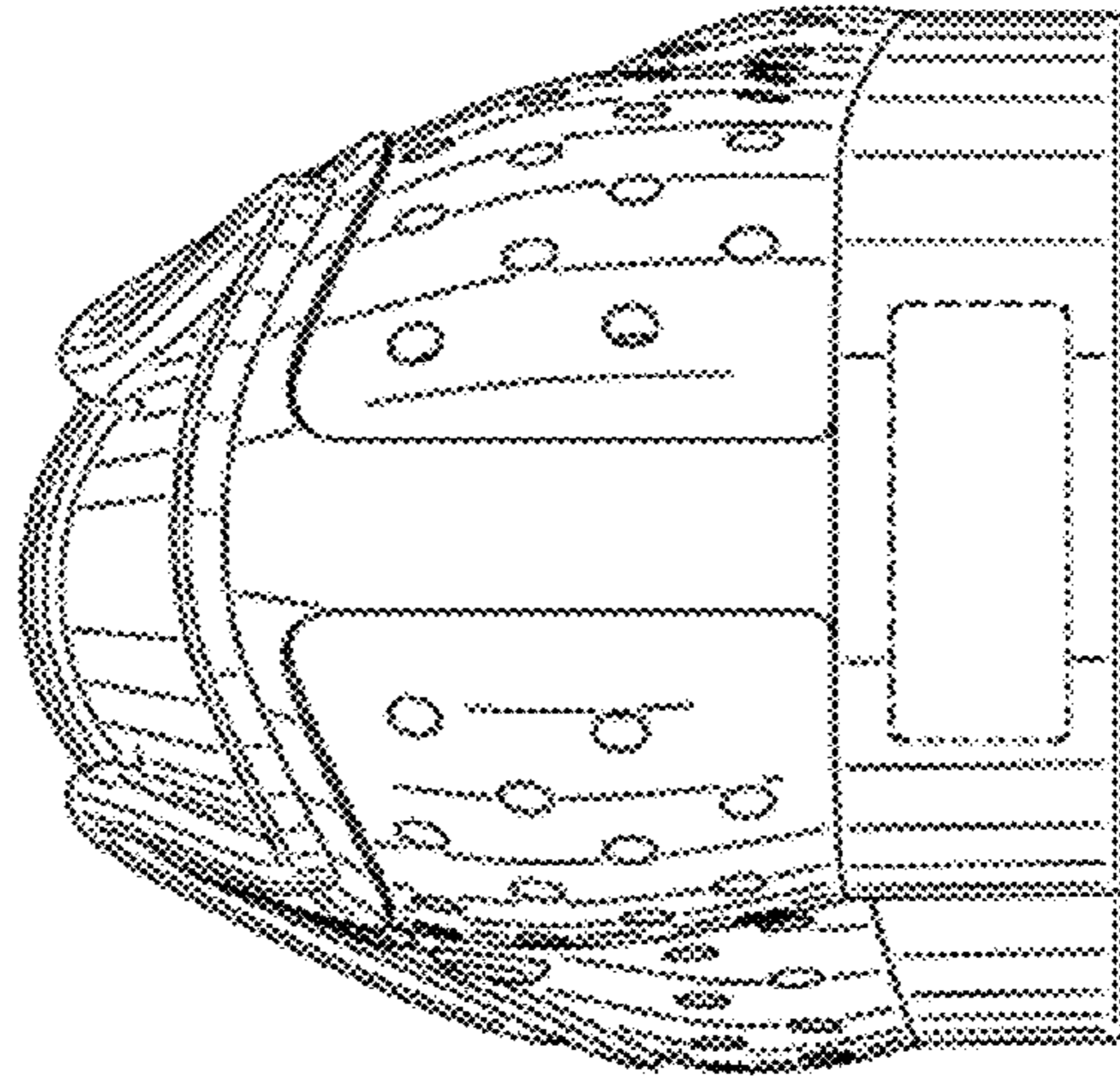


FIG. 3

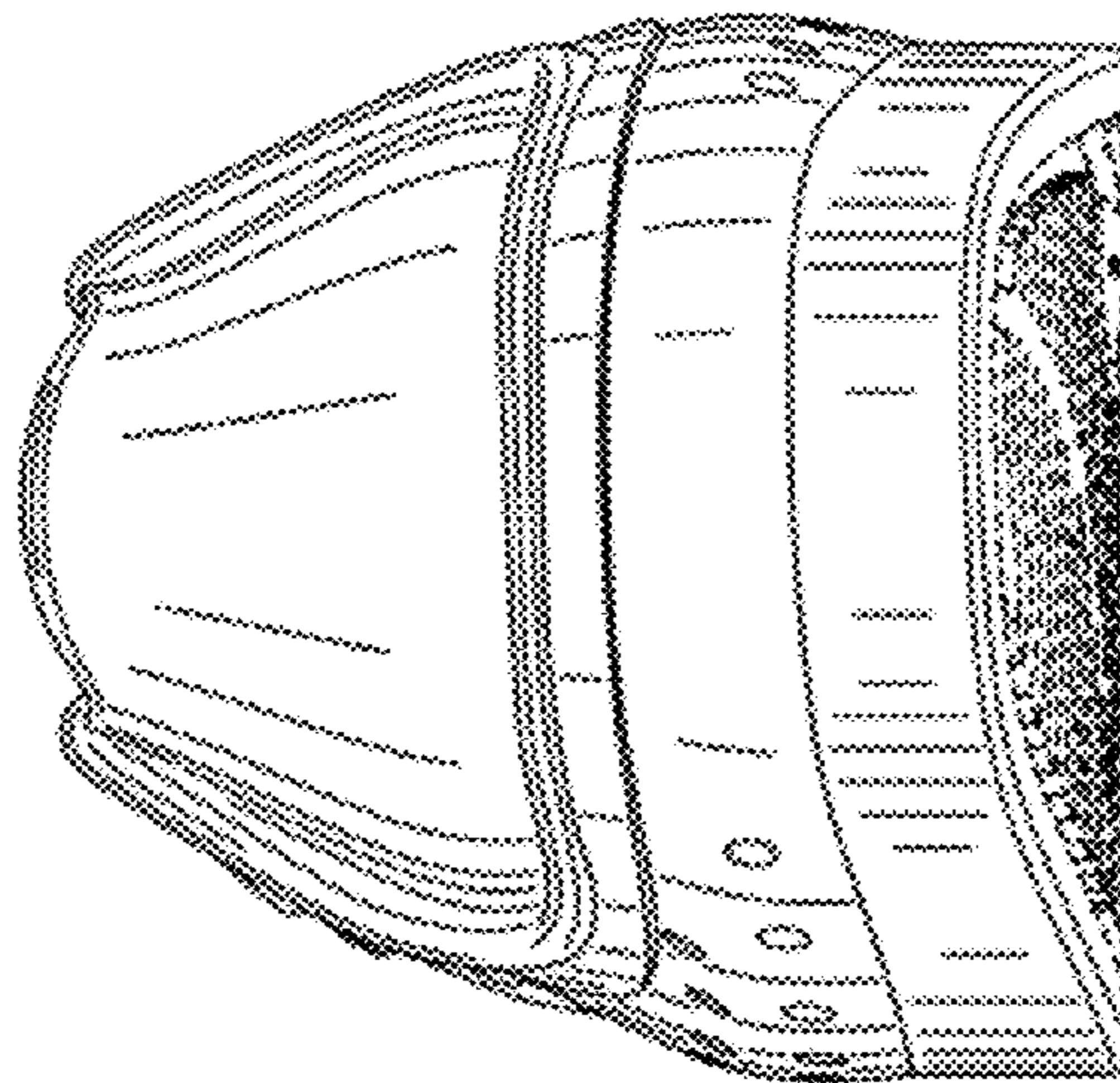


FIG. 2

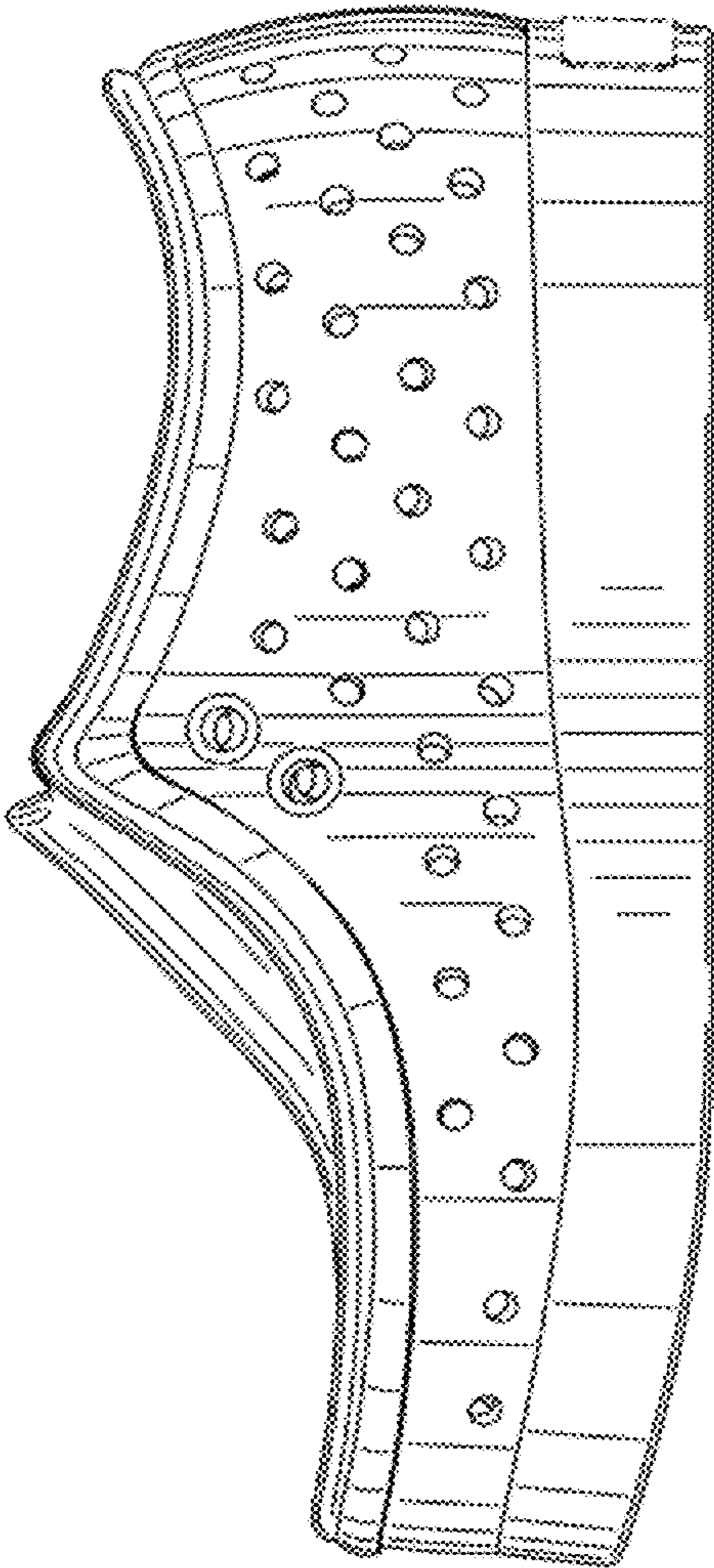


FIG. 4

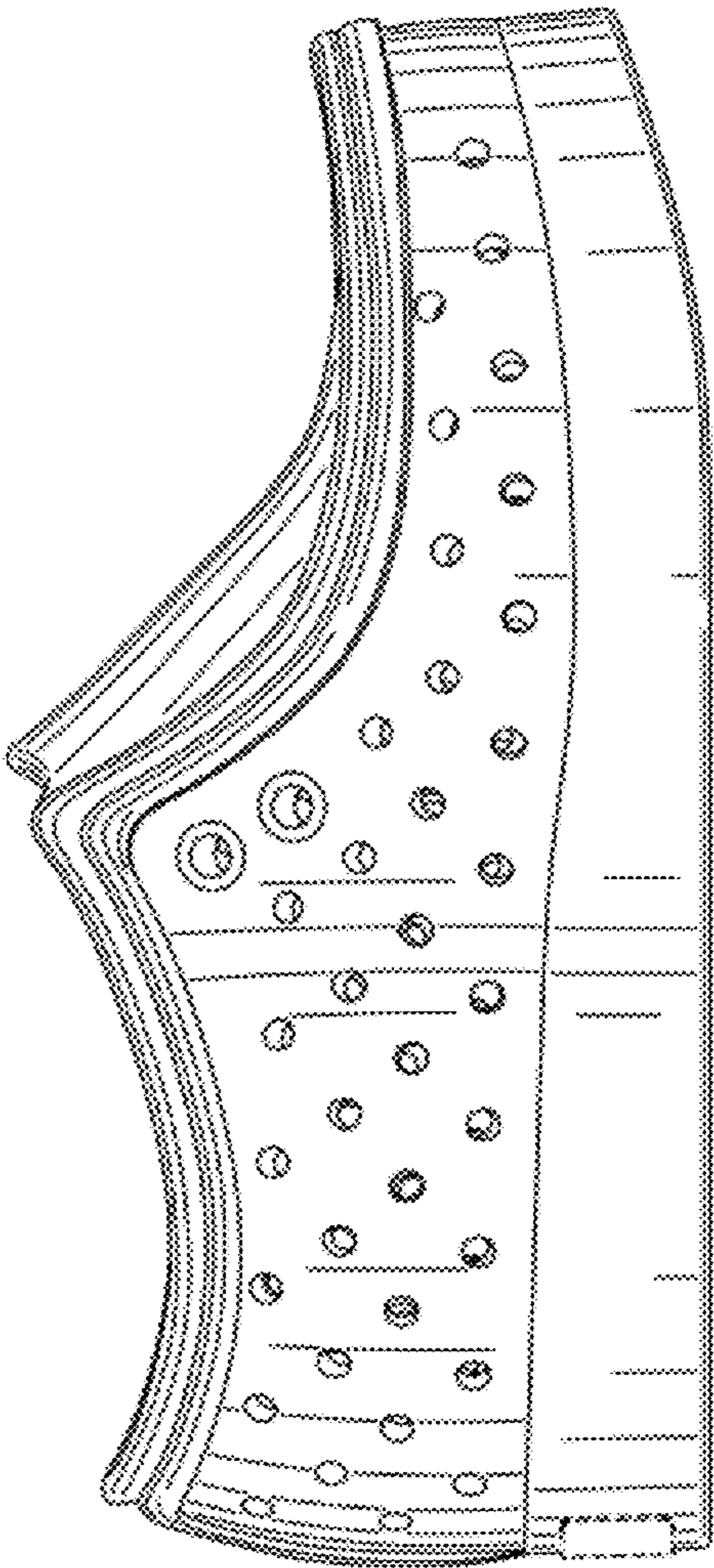


FIG. 5

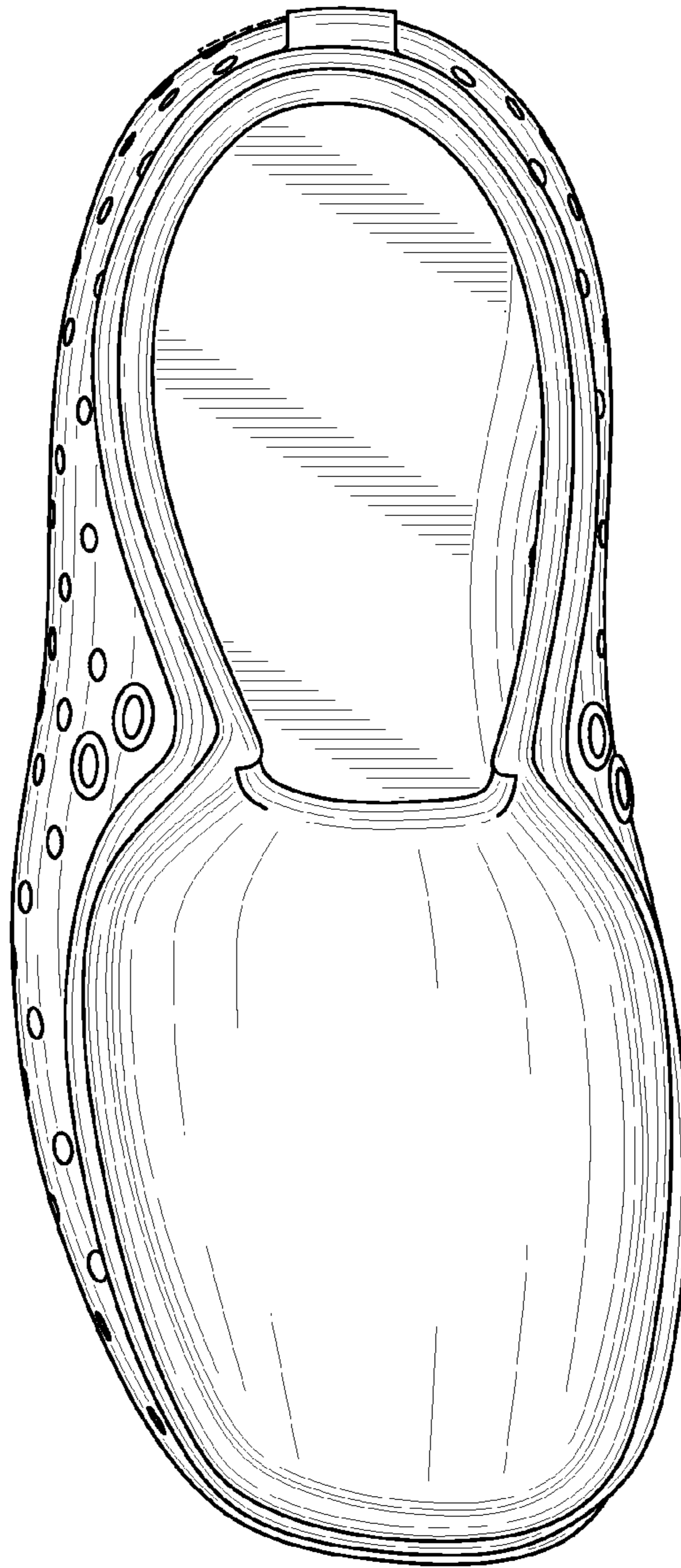


FIG. 6

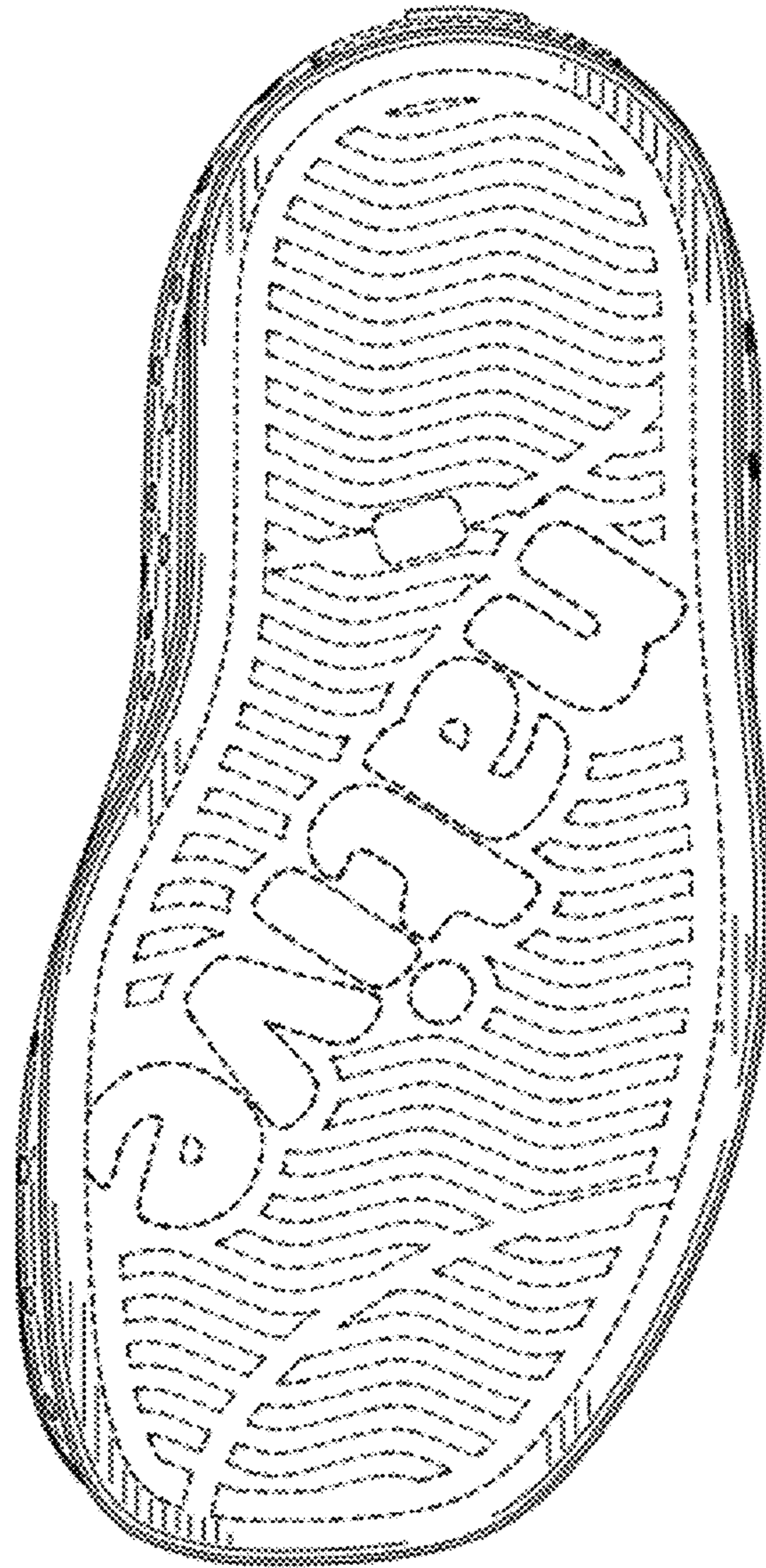


FIG. 7