



US00D660562S

(12) **United States Design Patent**
Dushey et al.

(10) **Patent No.:** **US D660,562 S**

(45) **Date of Patent:** **** May 29, 2012**

(54) **SANDAL WITH BACK AND TOP STRAP**

(76) Inventors: **Selim Dushey**, Brooklyn, NY (US);
Stuart Alan Kalinsky, New York, NY
(US)

(**) Term: **14 Years**

(21) Appl. No.: **29/409,275**

(22) Filed: **Dec. 21, 2011**

(51) **LOC (9) Cl.** **02-04**

(52) **U.S. Cl.** **D2/917; D2/916**

(58) **Field of Classification Search** D2/896,
D2/900, 916-918, 943, 946, 957, 969; 36/45,
36/11.5, 90, 101, 3 A, 50.1, 7.5, 9 R, 43,
36/88, 94

See application file for complete search history.

(56) **References Cited**

U.S. PATENT DOCUMENTS

D296,608 S *	7/1988	Maciel	D2/916
D348,763 S *	7/1994	Judd et al.	D2/916
D461,042 S *	8/2002	Urie et al.	D2/969
D558,959 S *	1/2008	Kalinsky	D2/916
D581,148 S *	11/2008	Kalinsky	D2/969
D591,936 S *	5/2009	Frederiksen et al.	D2/917

* cited by examiner

Primary Examiner — Robert M Spear

Assistant Examiner — Rashida C McCoy

(74) *Attorney, Agent, or Firm* — Israel Nissenbaum

(57) **CLAIM**

The ornamental design for a sandal with back and top straps,
as shown and described.

DESCRIPTION

FIG. 1 is a right side perspective view of a design of a sandal
with back and top straps.

FIG. 2 shows a right side view of the sandal with back and top
straps of FIG. 1.

FIG. 3 shows a left side view of the sandal with back and top
straps of FIG. 1.

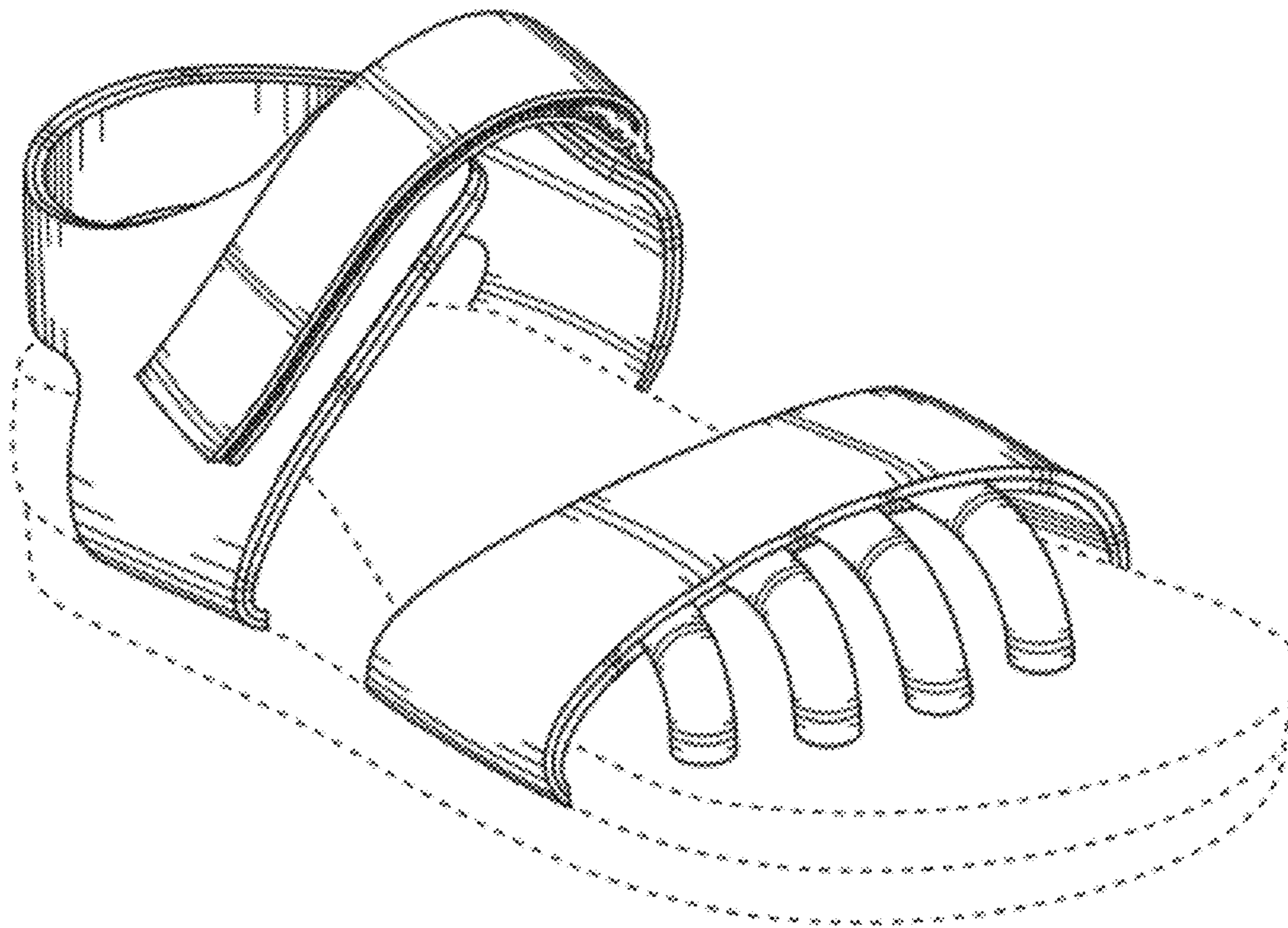
FIG. 4 shows a front view of the sandal with back and top
straps of FIG. 1.

FIG. 5 shows a rear view of the sandal with back and top
straps of FIG. 1; and,

FIG. 6 shows a top view of the sandal with back and top straps
of FIG. 1.

The dashed lines show unclaimed environment.

1 Claim, 3 Drawing Sheets



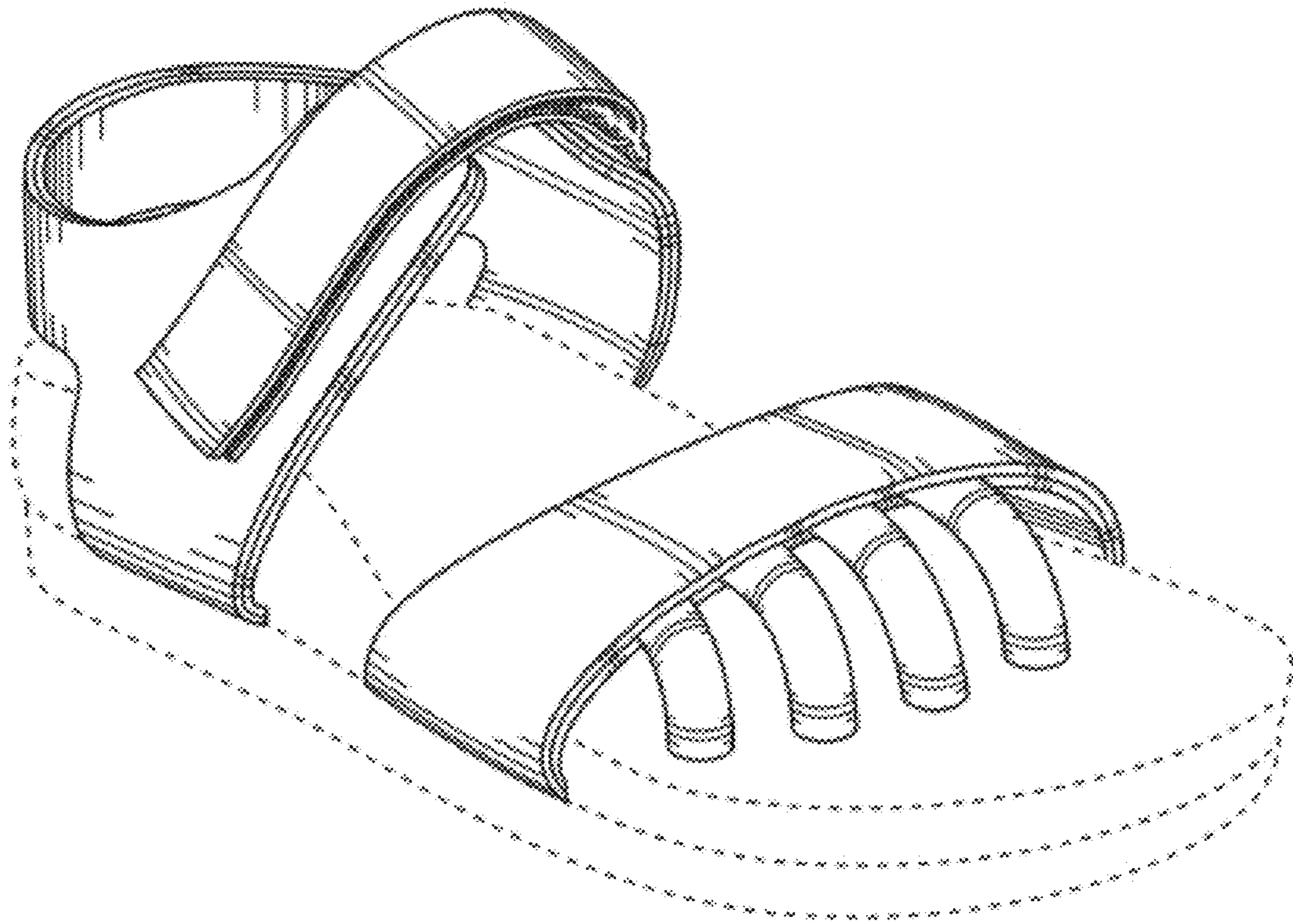


FIG. 1

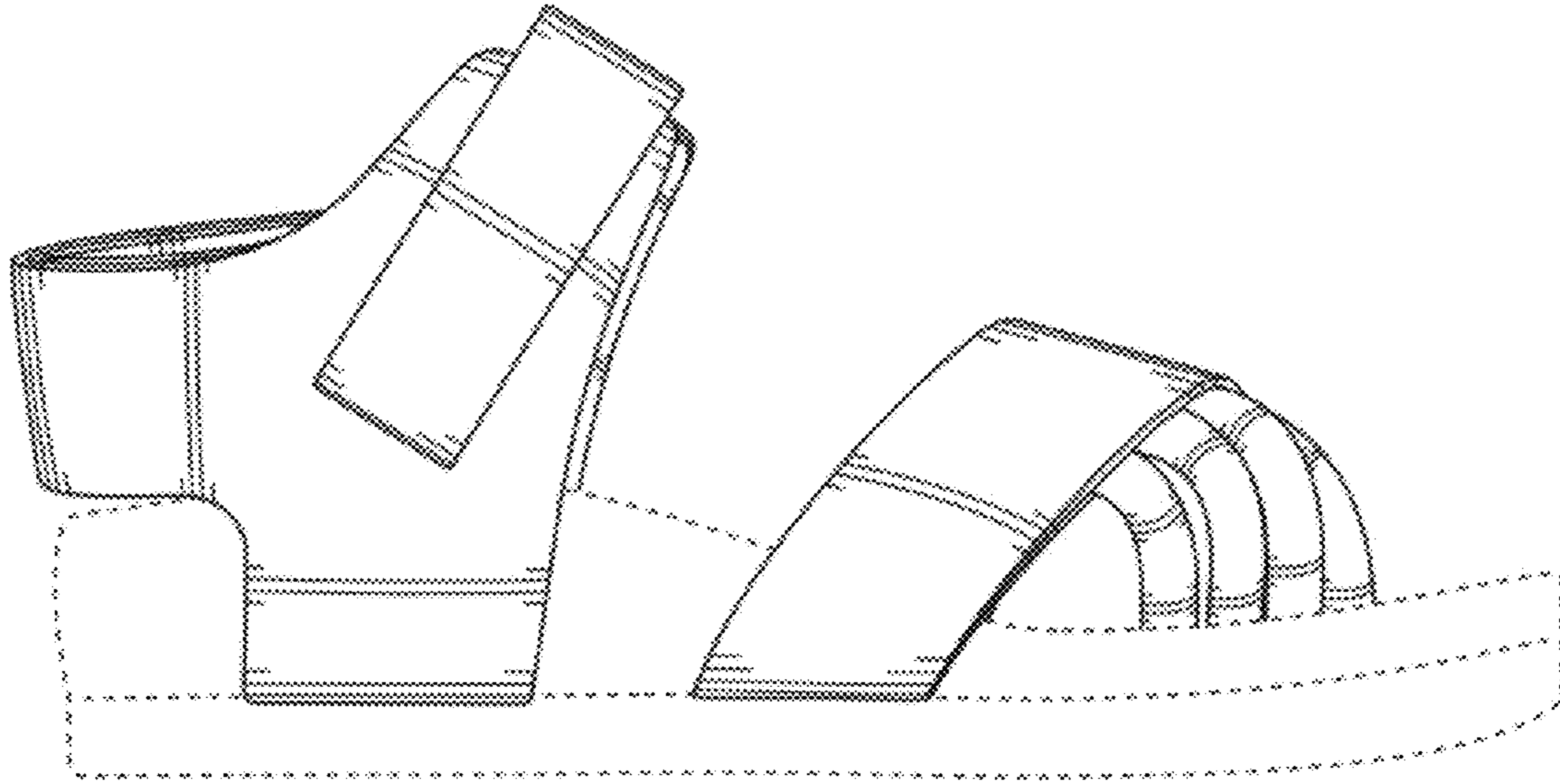


FIG. 2

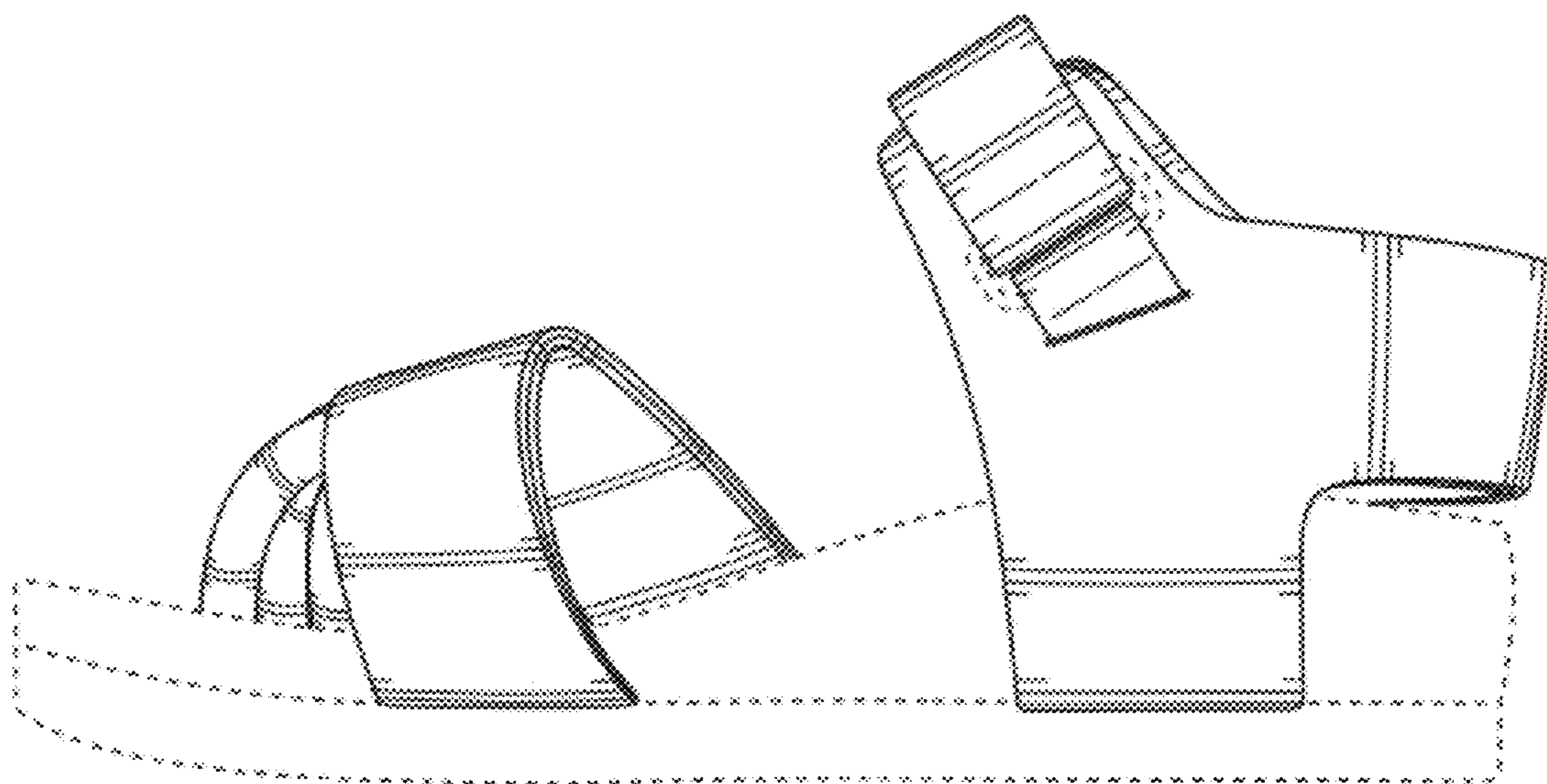


FIG. 3

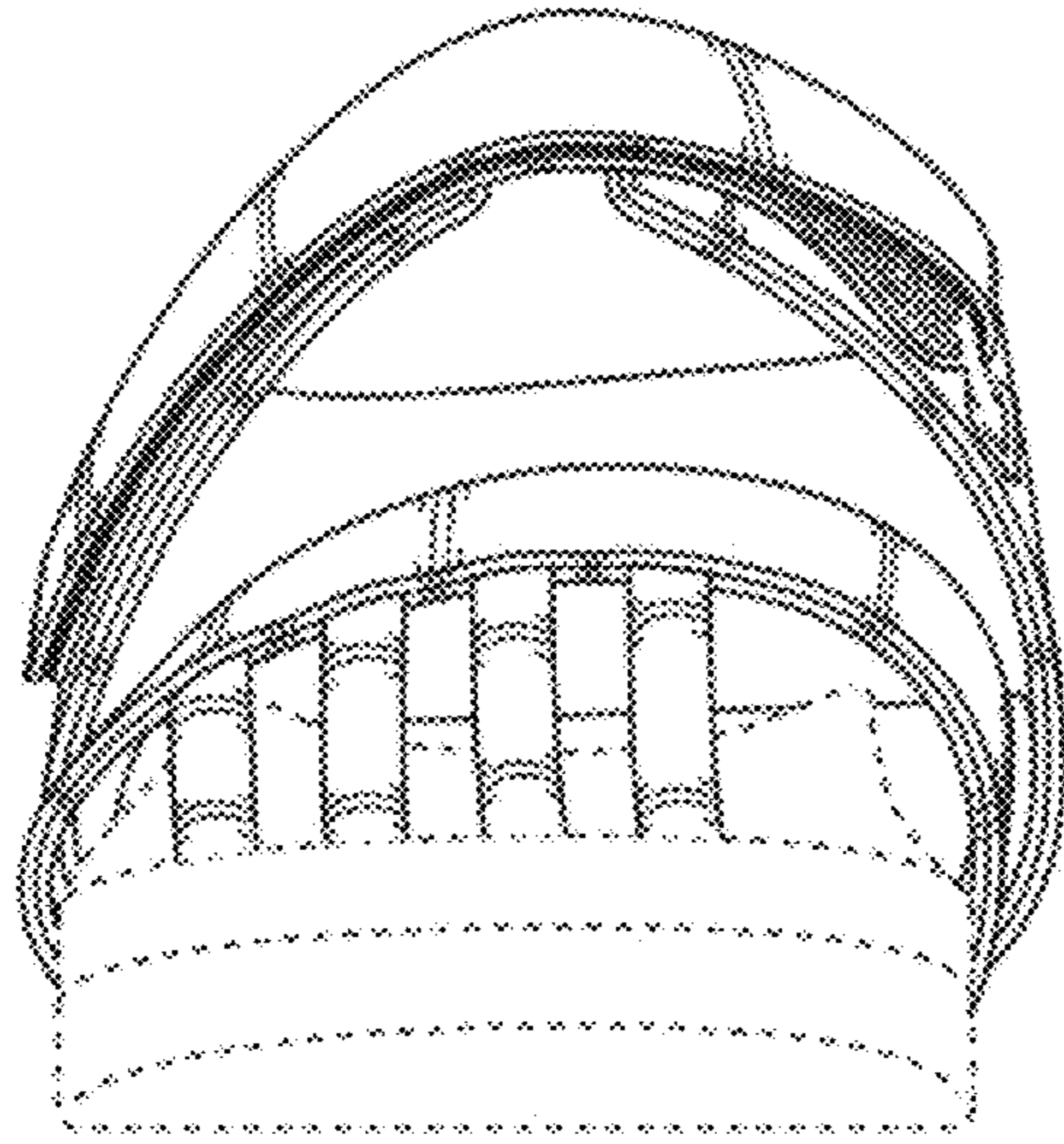


FIG. 4

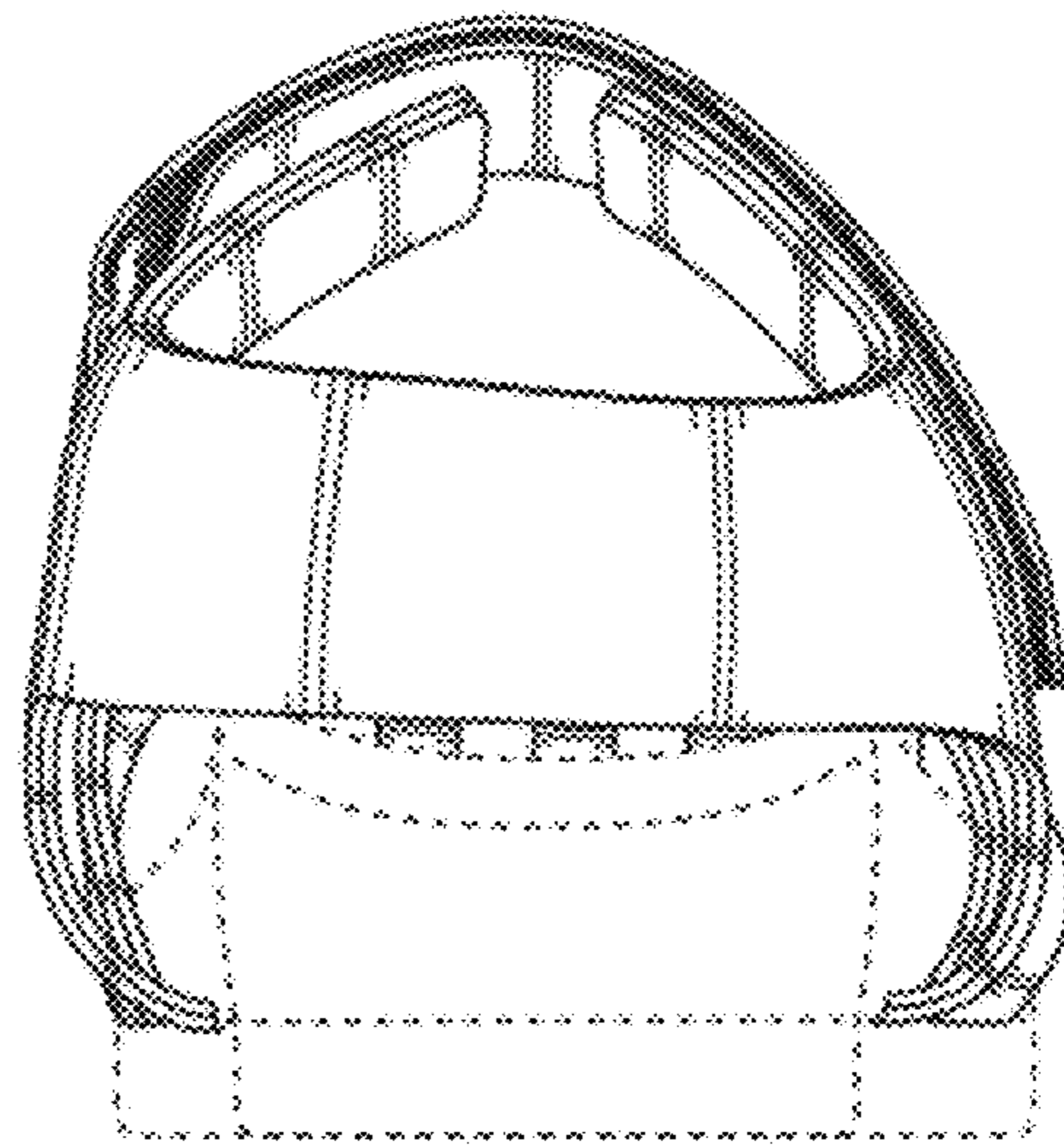


FIG. 5

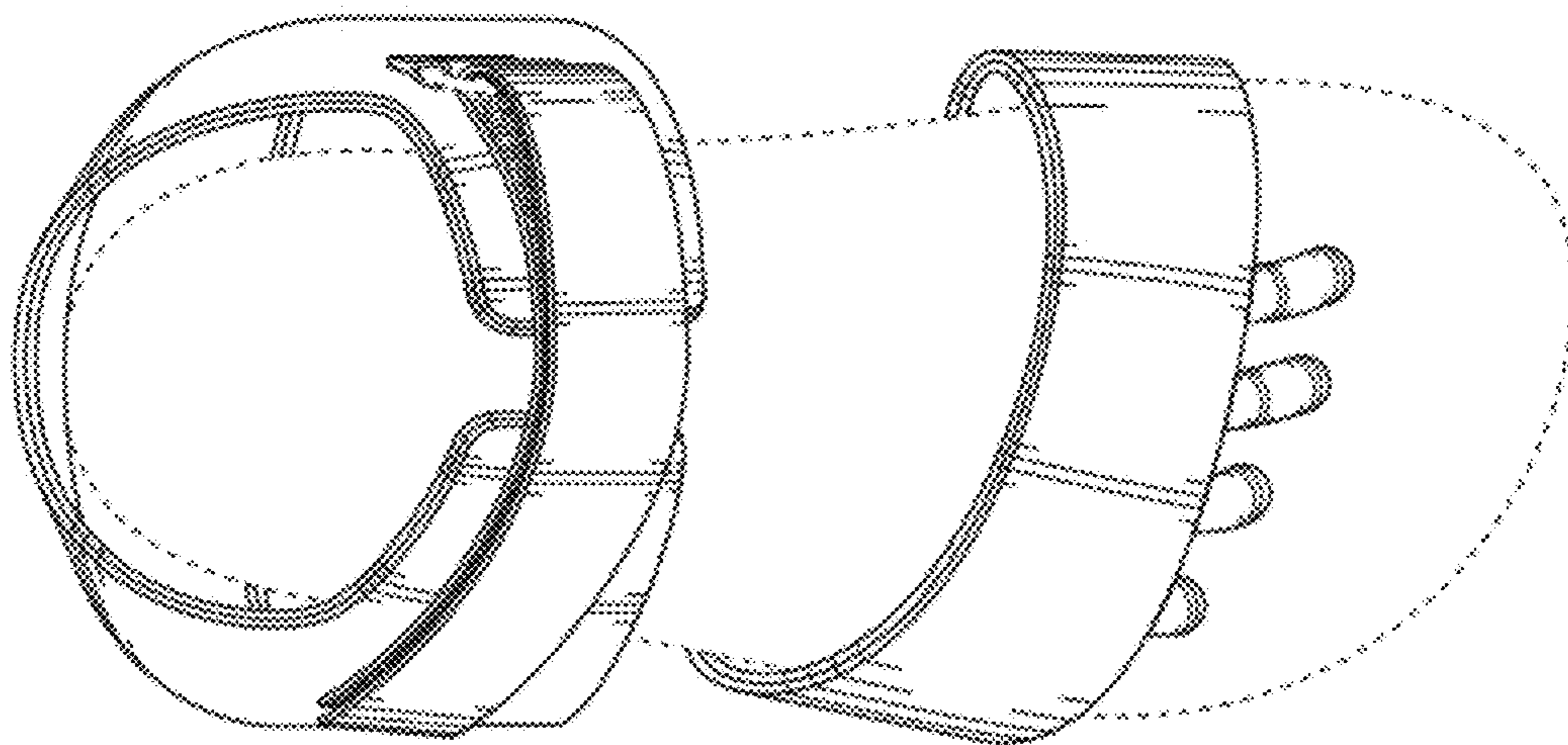


FIG. 6