

US00D660556S

(12) **United States Design Patent**
Armstrong et al.

(10) **Patent No.:** **US D660,556 S**

(45) **Date of Patent:** **** May 29, 2012**

(54) **SPAT**

(76) Inventors: **Mary Margaret Armstrong**, Arlington, TN (US); **Amanda Margaret Gonzales**, Bartlett, TN (US)

(**) Term: **14 Years**

(21) Appl. No.: **29/403,721**

(22) Filed: **Oct. 10, 2011**

(51) **LOC (9) Cl.** **02-04**

(52) **U.S. Cl.** **D2/901**

(58) **Field of Classification Search** D2/897,
D2/901, 910-913, 946, 970, 971; 36/2 R,
36/7.2, 7.3, 7.1 R, 100, 101, 45; 2/61; D24/190,
D24/192

See application file for complete search history.

(56) **References Cited**

U.S. PATENT DOCUMENTS

363,516	A *	5/1887	Hackey	602/65
1,084,197	A *	1/1914	Collis	602/65
1,153,977	A	9/1915	Tweedie	
59,048	A	9/1921	Tweedie	
179,115	A	5/1922	Dickie	
D62,925	S	8/1923	Thomas	
D64,015	S	2/1924	Karger	
D64,218	S	3/1924	Timson	
D65,761	S	10/1924	Tweedie	
D123,676	S	9/1940	Lindner	
2,243,444	A	5/1941	Sharp	
D139,835	S *	12/1944	Rauh	D2/901
2,422,055	A	6/1947	Varon et al.	
2,441,373	A *	5/1948	Rauh	36/2 R
2,449,115	A	9/1948	Harriman	
D160,743	S	10/1950	Richardson	
D321,582	S *	11/1991	Pennington	D2/901

D396,740	S	8/1998	Magliulo	
D519,719	S	5/2006	Perkins	
7,993,295	B2 *	8/2011	Nelson	602/27
2011/0078919	A1	4/2011	Yang	

OTHER PUBLICATIONS

http://www.etsy.com/listing/61519539/spats-ref-bc8?ref=pr_shop.
http://www.etsy.com/people/joelmasouza?ref=ls_profile.
http://shop.ebay.com/i.html?_nkw=shoe+spats&_armrs=1&_from=&_ipg=&_sop=12.
<http://steamfashion.livejournal.com/525310.html>.
<http://www.etsy.com/listing/35671537/woodland-shortie-button-up-ladies-spats>.

* cited by examiner

Primary Examiner — Robert M Spear
Assistant Examiner — Rashida C McCoy
(74) *Attorney, Agent, or Firm* — Julie R. Baldrige; Baker, Donelson, Bearman, Caldwell & Berkowitz, PC

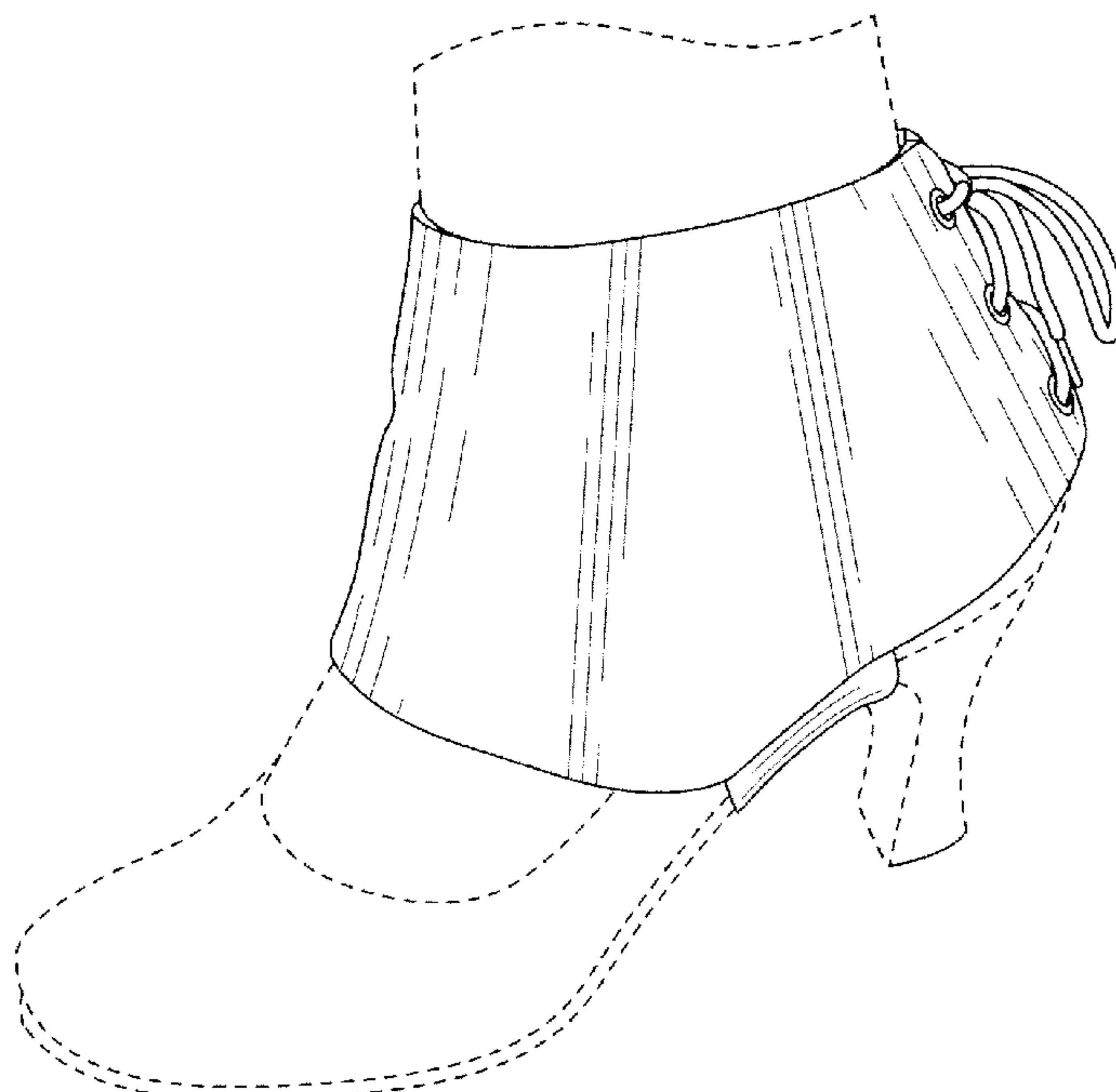
(57) **CLAIM**

I claim the ornamental design for a spat, as shown.

DESCRIPTION

FIG. 1 is a perspective view of a spat showing our new design in use on a shoe;
FIG. 2 is rear perspective view thereof;
FIG. 3 is a left side elevation view of a spat shown removed from the shoe; the laces are shown truncated to fit on the drawing sheet;
FIG. 4 is a right side elevation view thereof;
FIG. 5 is a top view thereof; and,
FIG. 6 is a bottom view thereof.
The broken lines illustrate environmental structure and form no part of the claim.

1 Claim, 4 Drawing Sheets



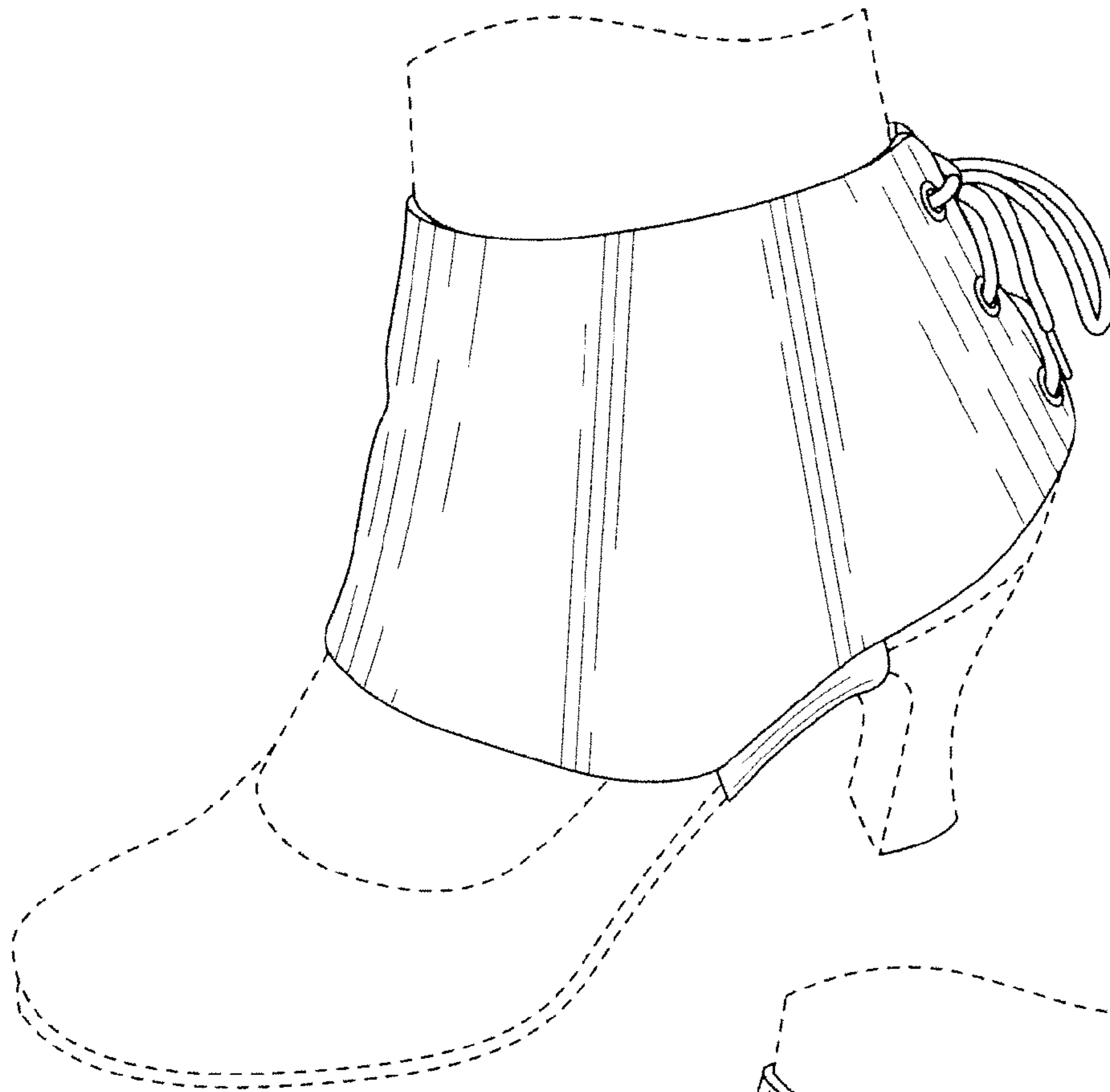


FIG. 1

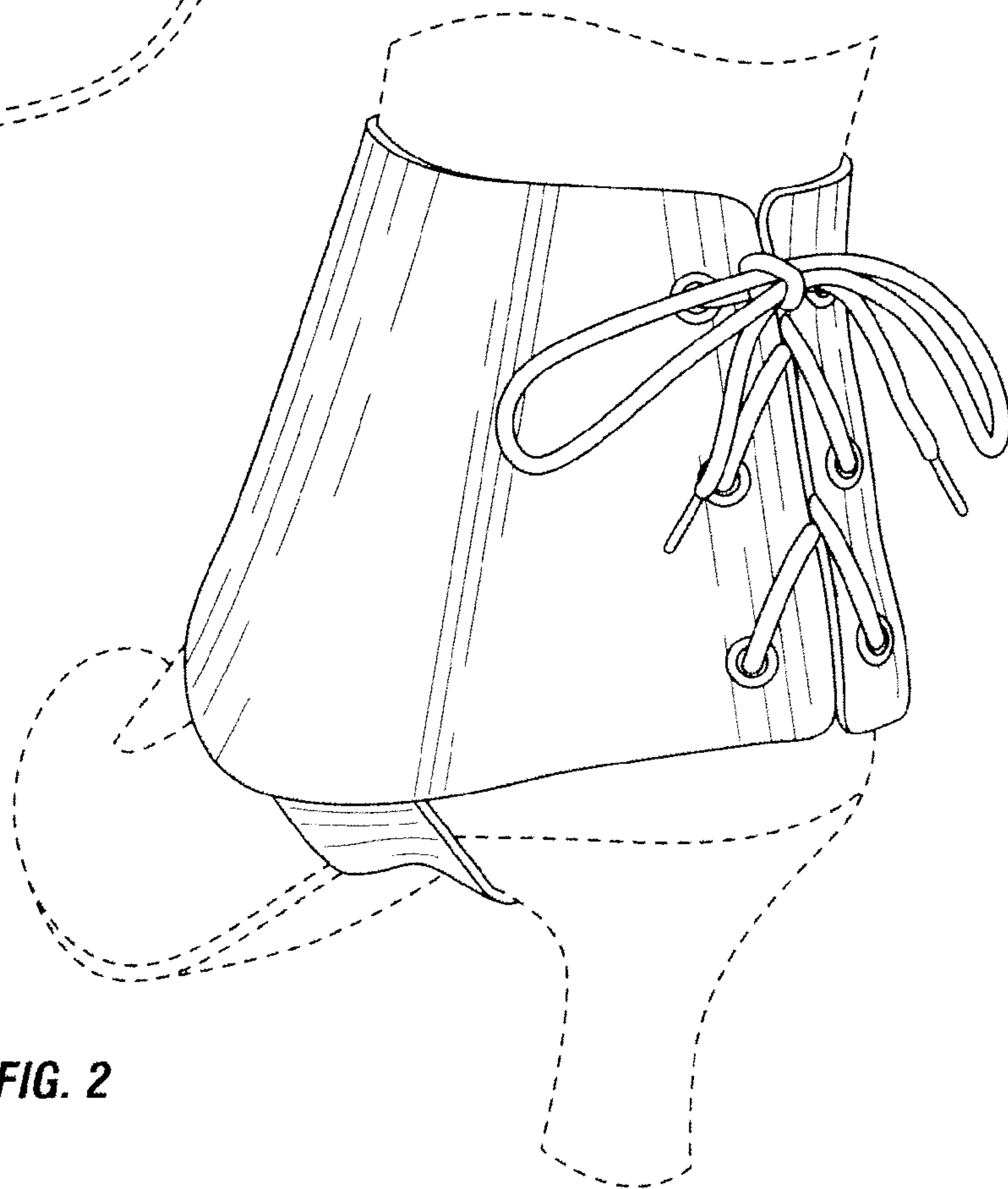
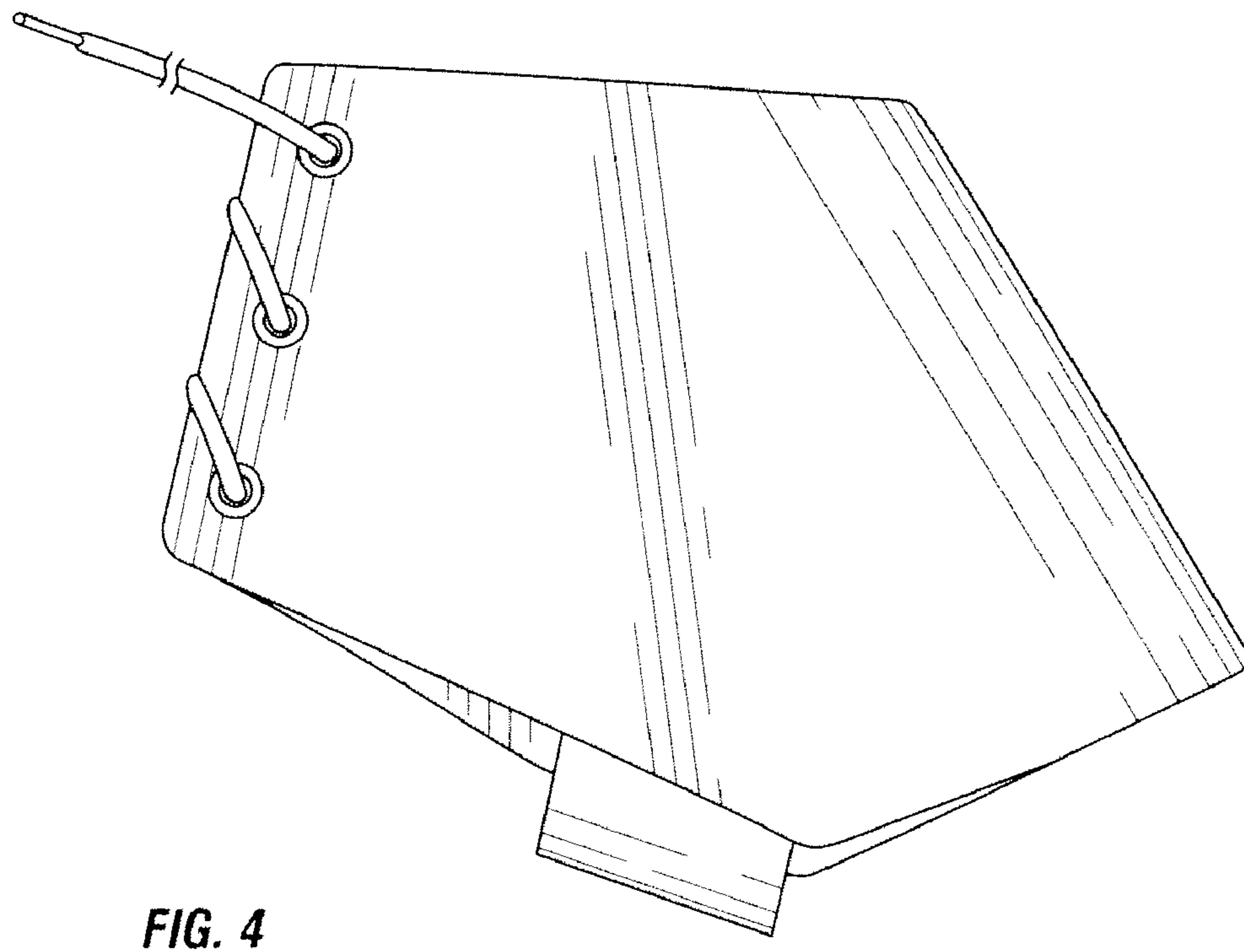
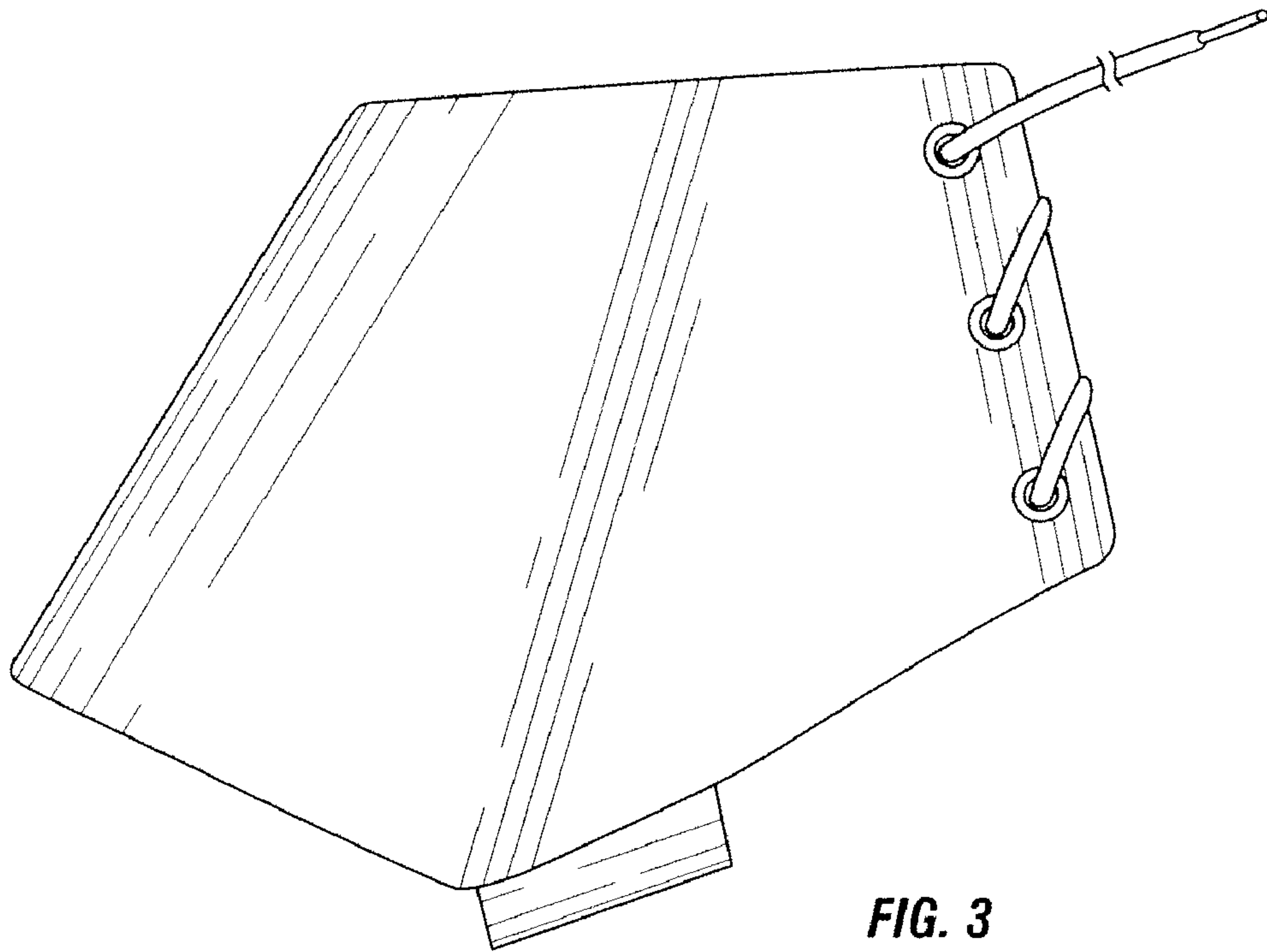


FIG. 2



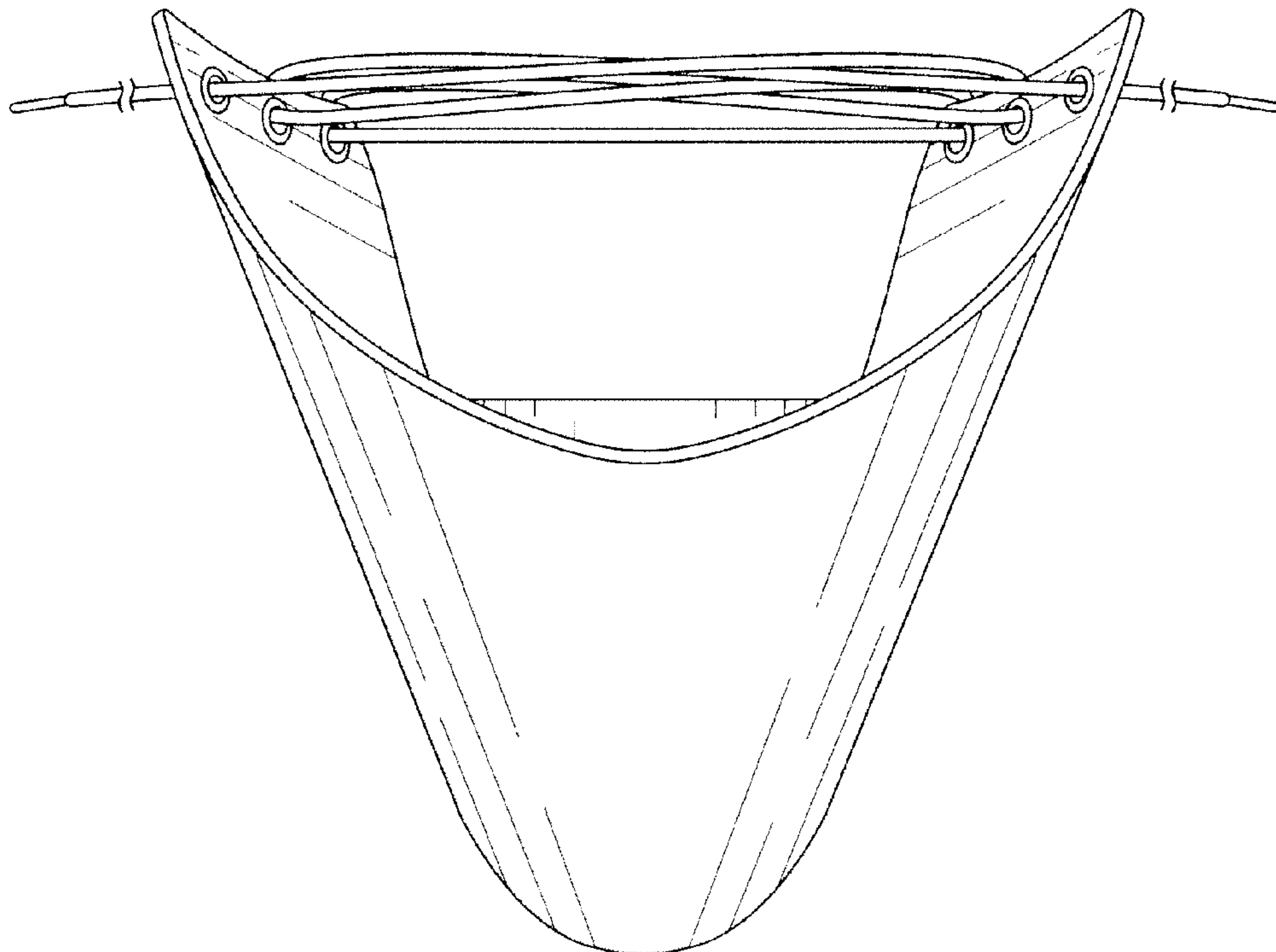


FIG. 5

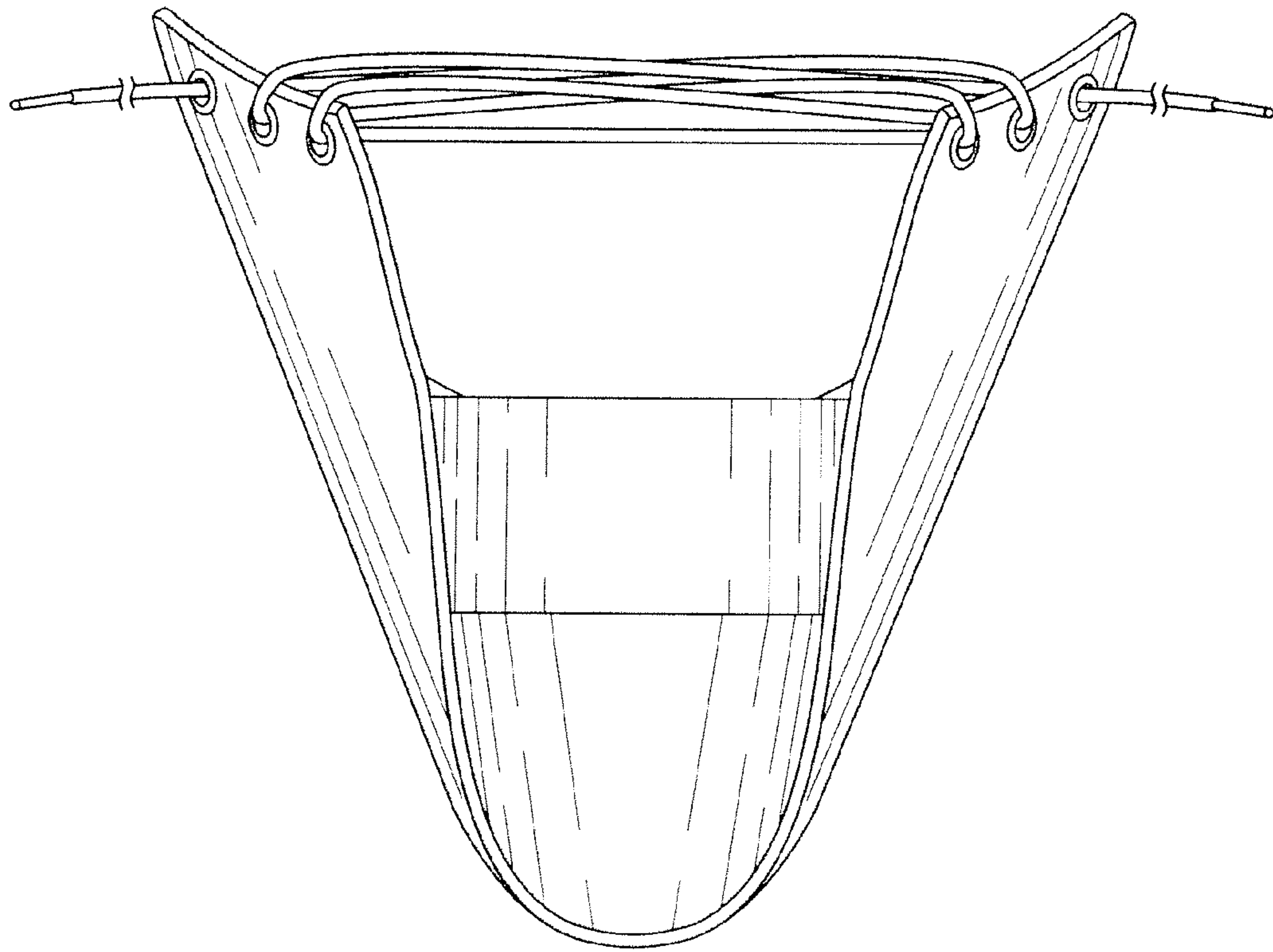


FIG. 6