



US00D660553S

(12) **United States Design Patent**
Farina et al.

(10) **Patent No.:** **US D660,553 S**

(45) **Date of Patent:** **** May 29, 2012**

(54) **GARMENT BOTTOM**

(75) Inventors: **Angela Farina**, Baltimore, MD (US);
Sarah Davis, North East, MD (US)

(73) Assignee: **Under Armour, Inc.**

(**) Term: **14 Years**

(21) Appl. No.: **29/406,907**

(22) Filed: **Nov. 21, 2011**

(51) **LOC (9) Cl.** **02-02**

(52) **U.S. Cl.** **D2/742**

(58) **Field of Classification Search** D2/712,
D2/731, 738, 742; 2/406, 227, 228, 234-238,
2/242

See application file for complete search history.

(56) **References Cited**

U.S. PATENT DOCUMENTS

D514,774 S *	2/2006	Africa et al.	D2/731
D532,958 S *	12/2006	Kent	D2/742
D613,037 S *	4/2010	Iamartino et al.	D2/742
D613,928 S *	4/2010	Iamartino et al.	D2/742
D615,279 S *	5/2010	Savage	D2/731
D619,784 S *	7/2010	Kanada et al.	D2/742
D641,134 S *	7/2011	Zarabi	D2/712
D641,539 S *	7/2011	Zarabi	D2/701
D654,661 S *	2/2012	Savage	D2/742
2008/0083055 A1 *	4/2008	Onda	2/455

OTHER PUBLICATIONS

Athleta Catalog, Runabout Pant, Item J, p. 37, Fall 2011, Petaluma, California.

Athleta Catalog, Organic Cotton Salamba Pant, p. 64, Fall 2011, Petaluma, California.

Athleta Catalog, Kickbooty Pant, p. 65, Fall 2011, Petaluma, California.

* cited by examiner

Primary Examiner — Rashida Johnson

(74) *Attorney, Agent, or Firm* — Wesley W. Muller; Rachel St. Peter

(57) **CLAIM**

The ornamental design for a garment bottom, as shown and described.

DESCRIPTION

FIG. 1 is a perspective view of a garment bottom according to the present invention;

FIG. 2 is a front view of the garment bottom of FIG. 1;

FIG. 3 is a rear view of the garment bottom of FIG. 1;

FIG. 4 is a left side view of the garment bottom of FIG. 1;

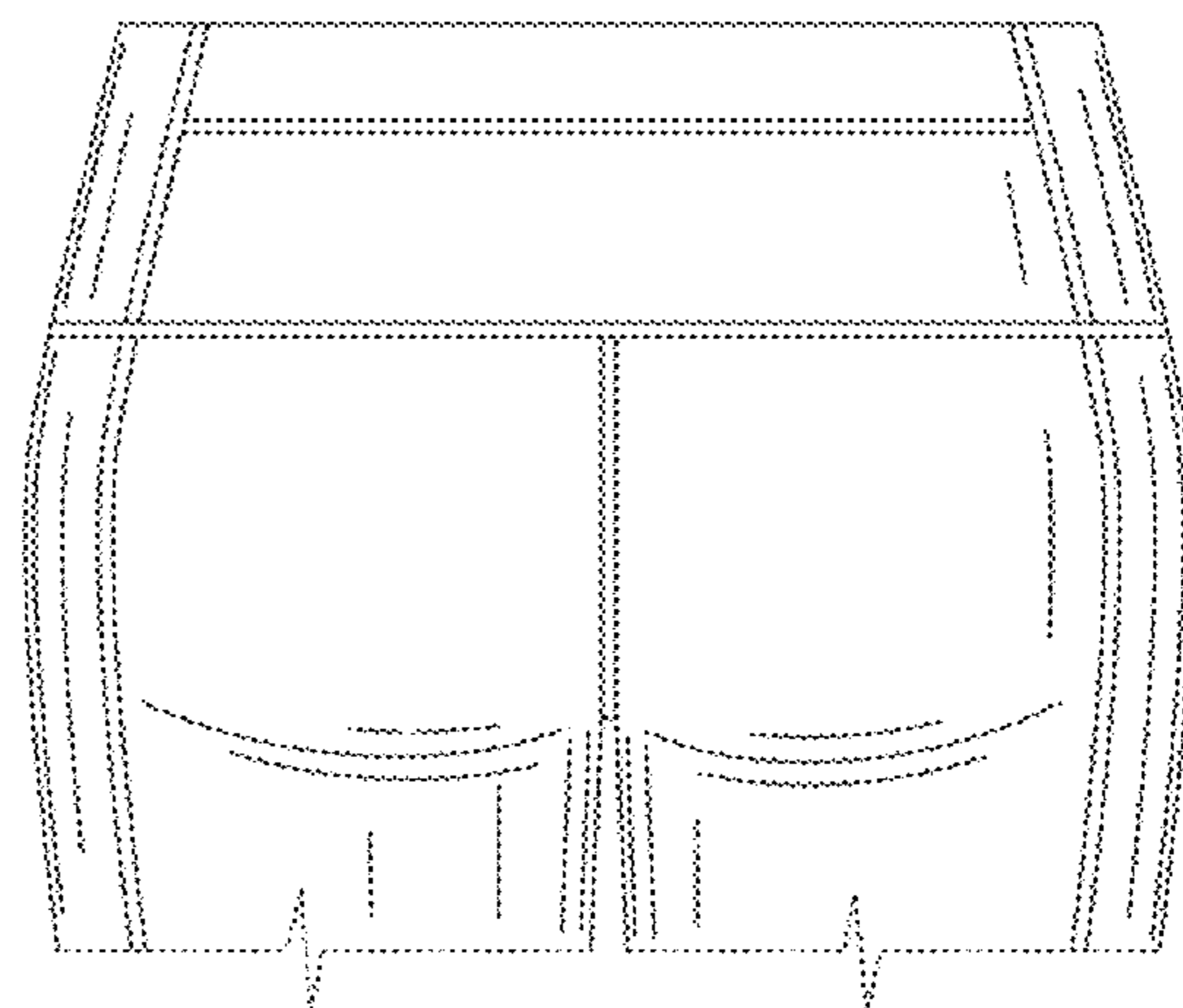
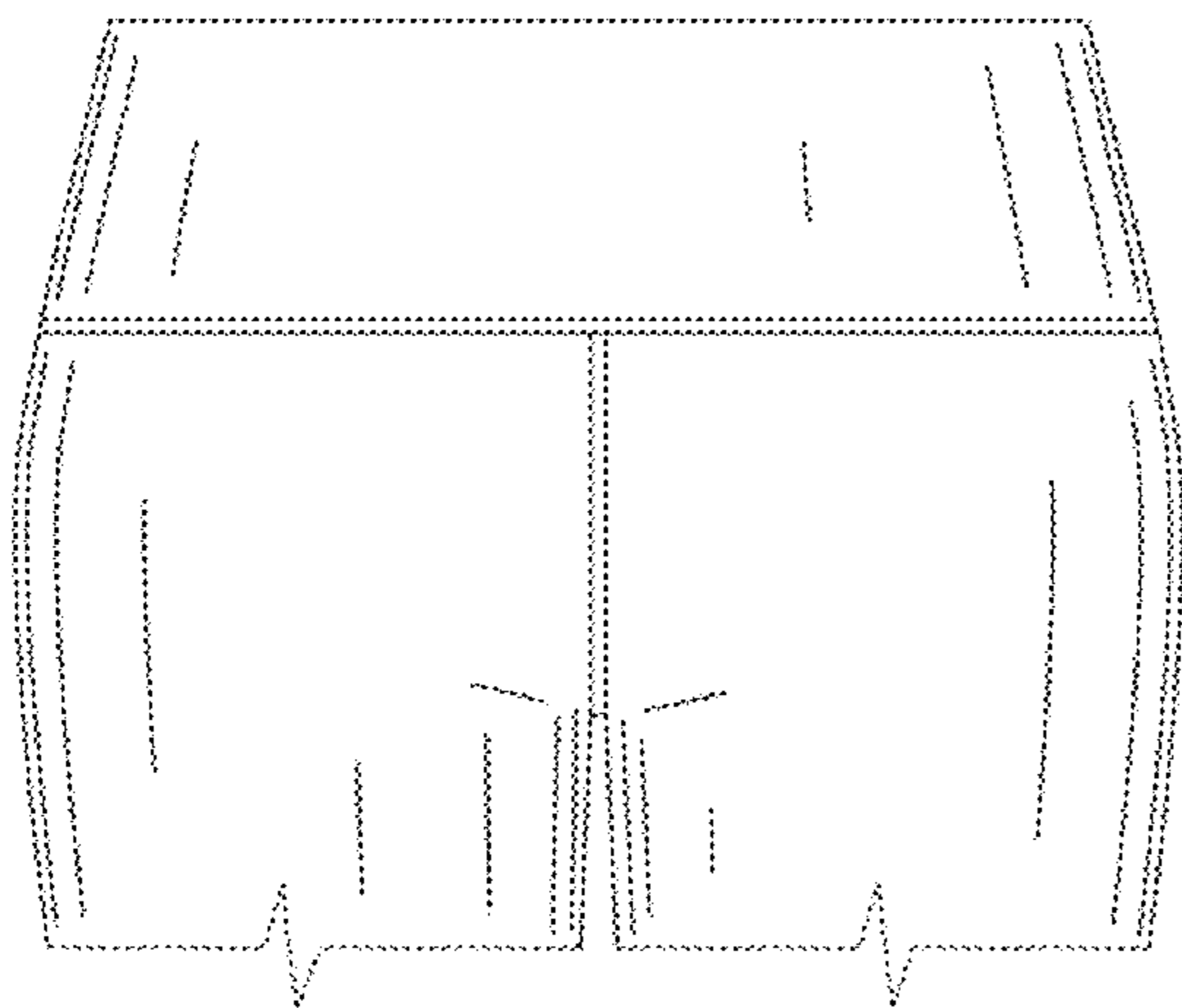
FIG. 5 is a right side view of the garment bottom of FIG. 1;

FIG. 6 is a top view of the garment bottom of FIG. 1; and,

FIG. 7 is a bottom view of the garment bottom of FIG. 1.

The broken lines in the figures merely illustrate the environment for the garment bottom of the present design and therefore form no part of the claimed design.

1 Claim, 7 Drawing Sheets



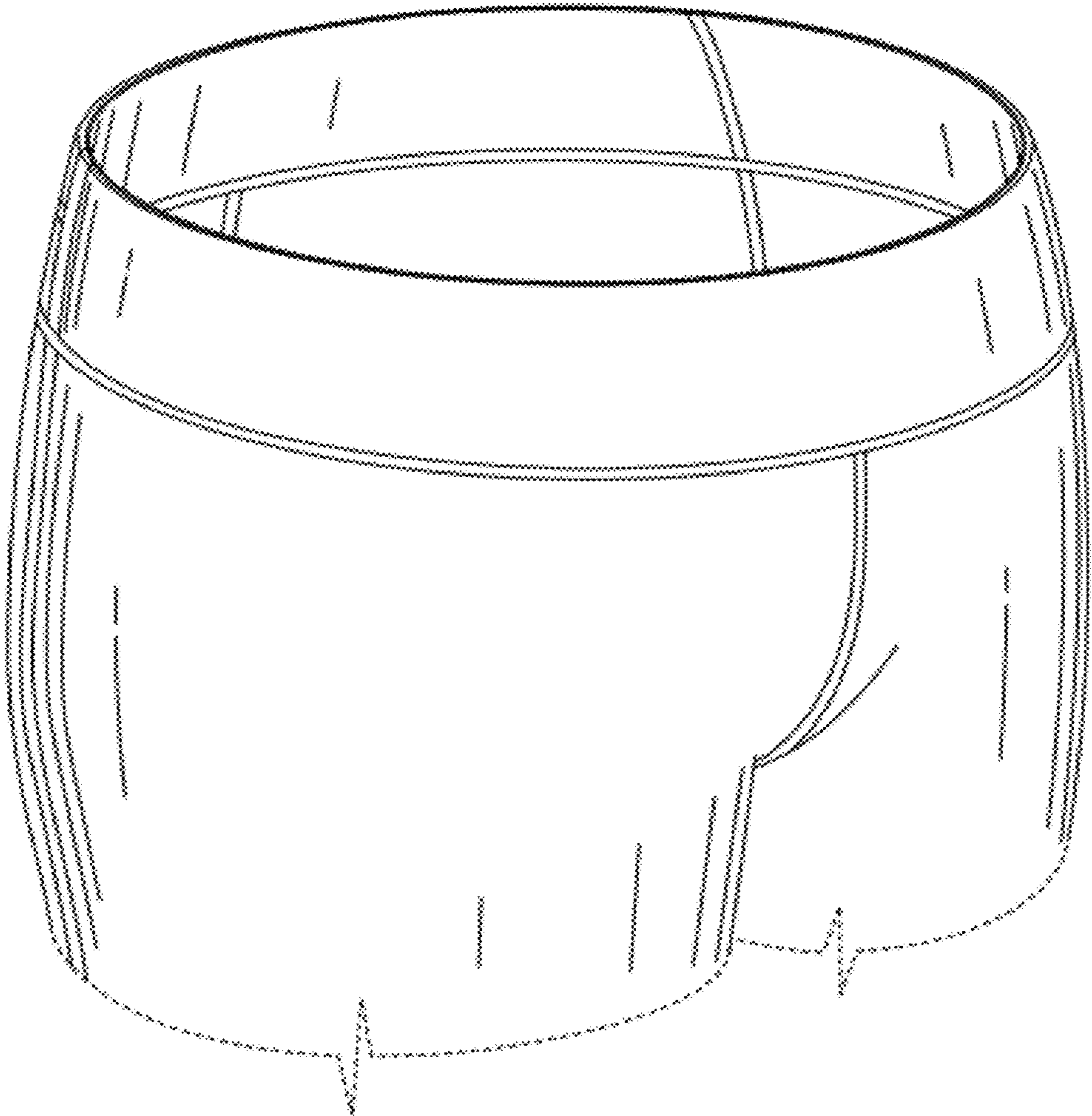


FIG. 1

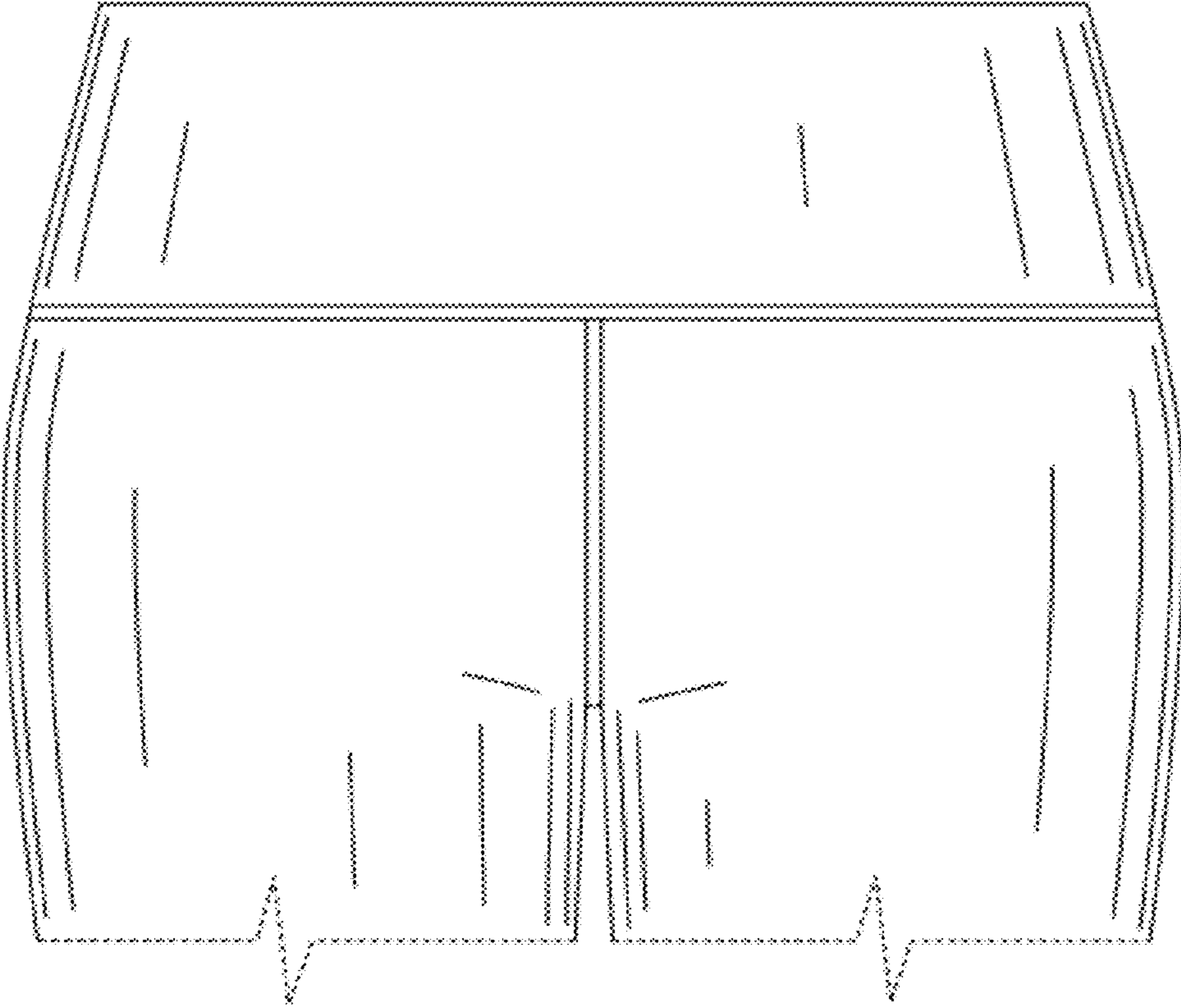


FIG. 2

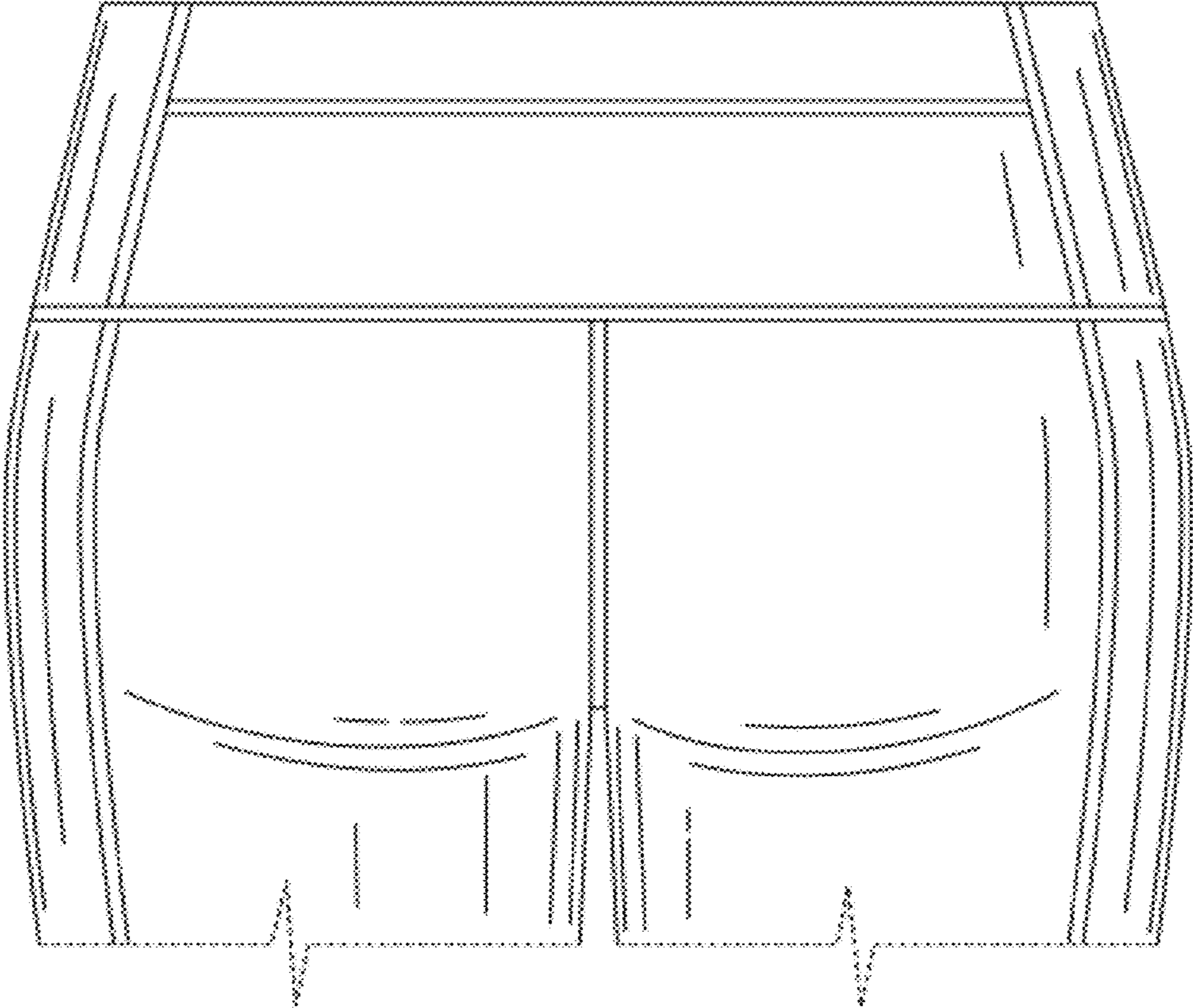


FIG. 3

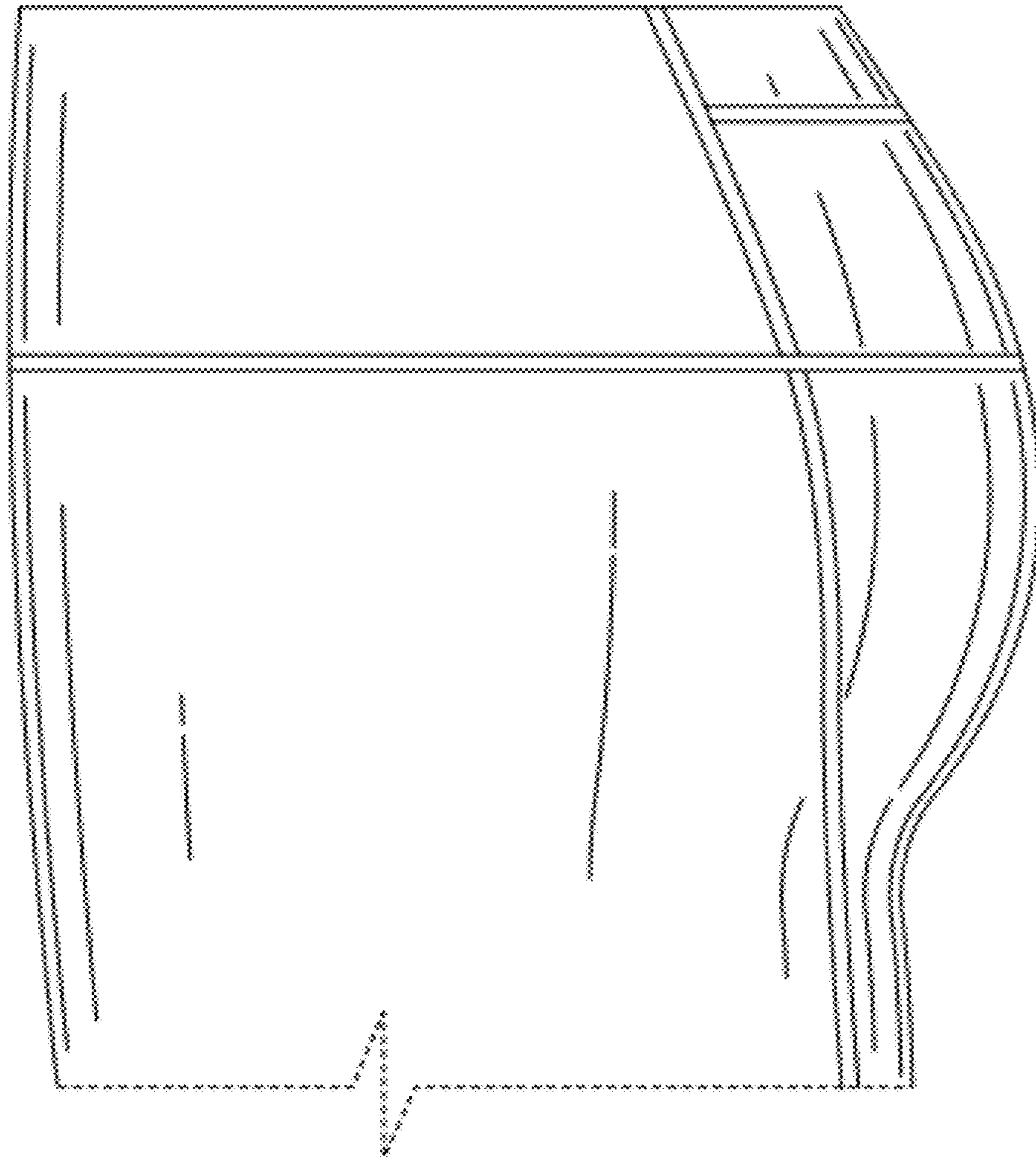


FIG. 4

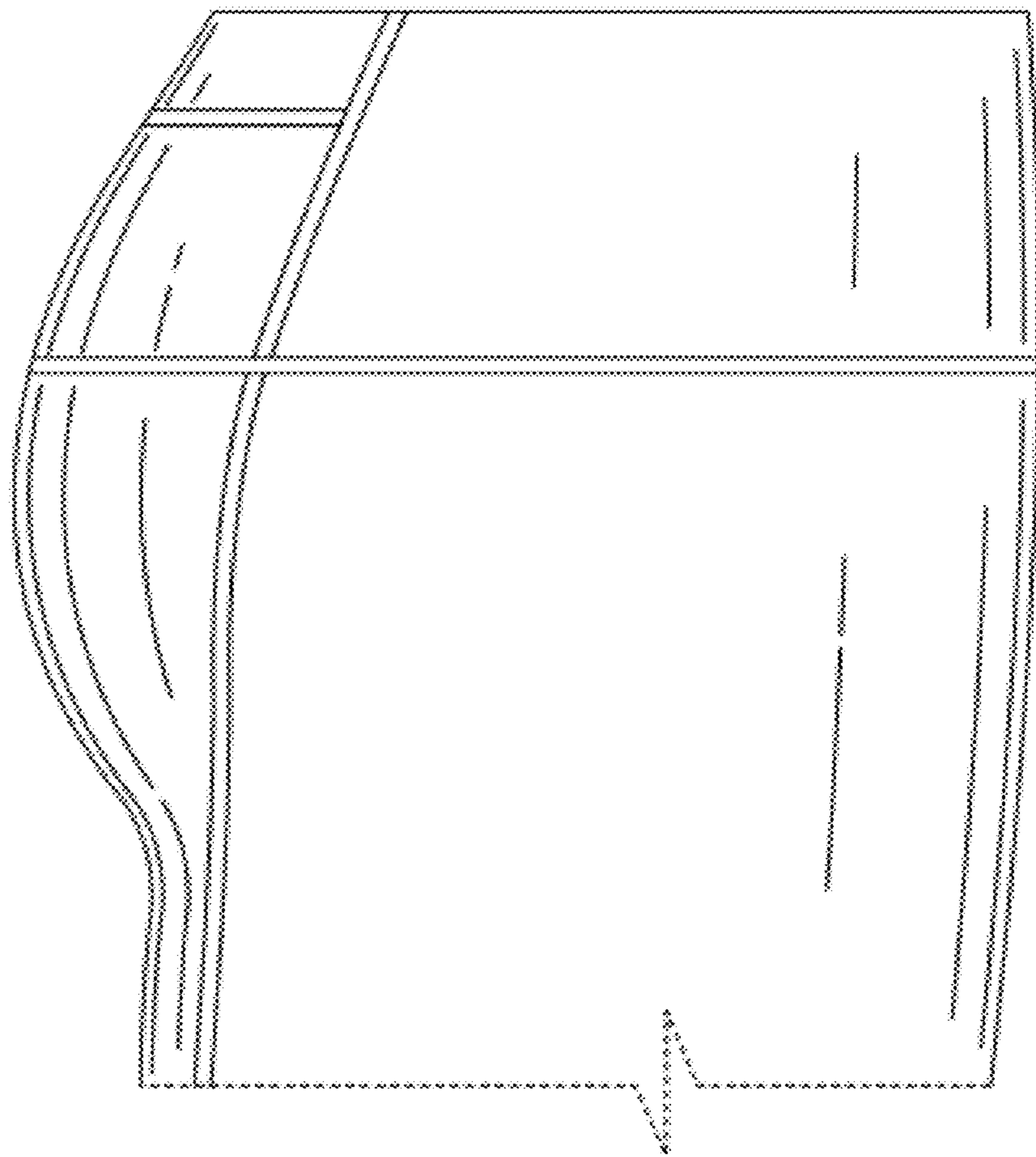


FIG. 5

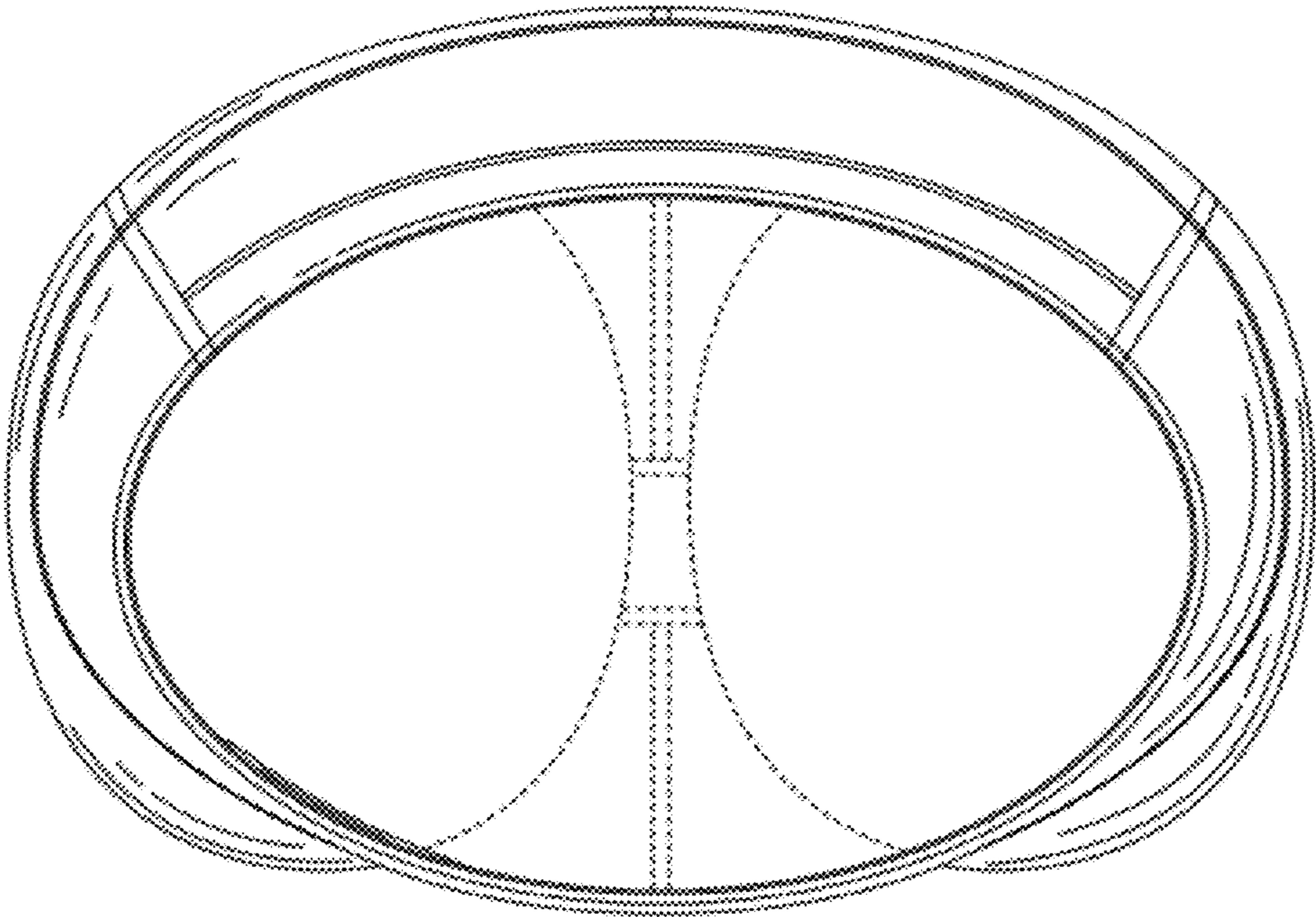


FIG. 6

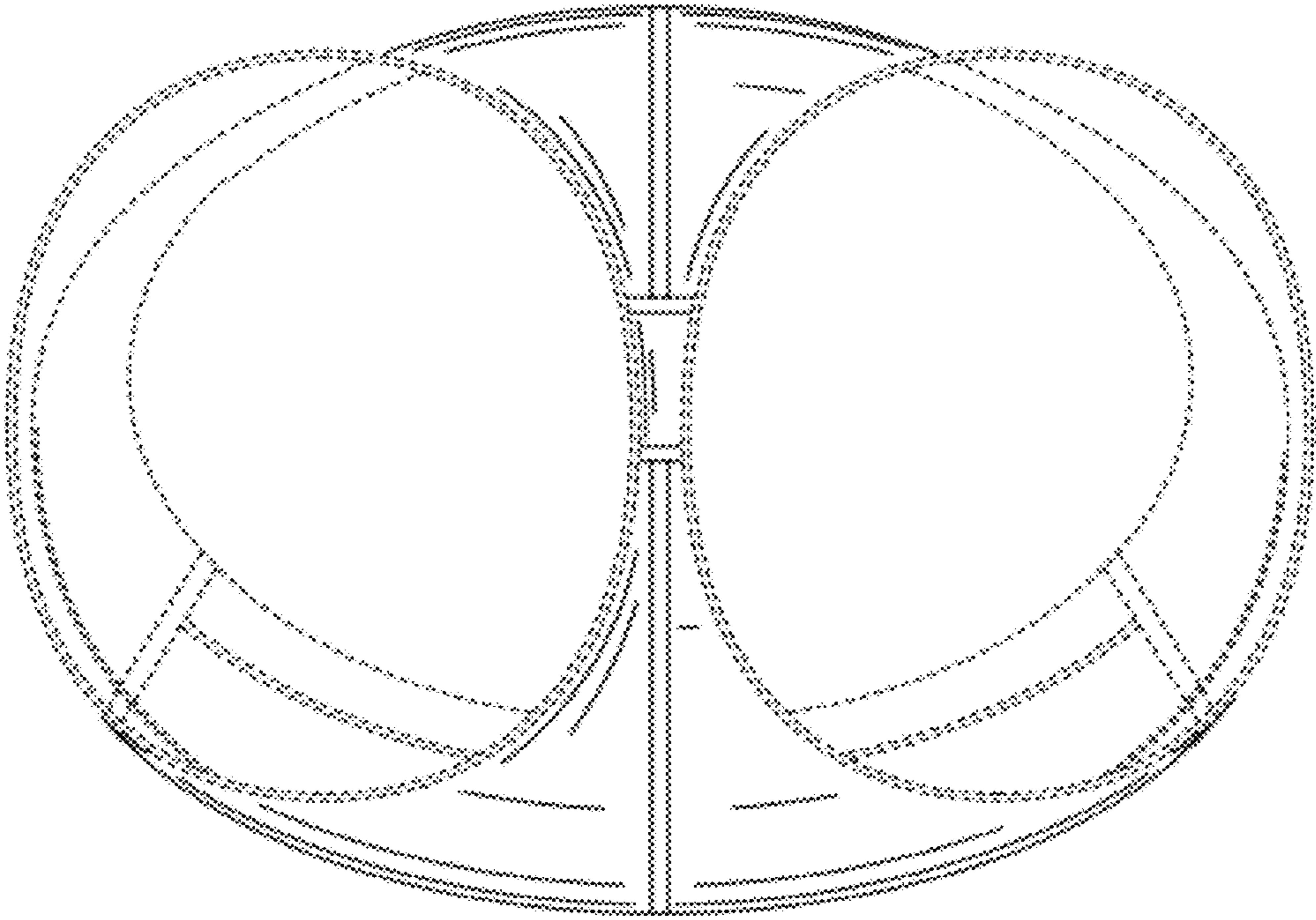


FIG. 7