

US00D660552S

(12) **United States Design Patent**
Kuraoka et al.

(10) **Patent No.:** **US D660,552 S**
(45) **Date of Patent:** **** May 29, 2012**

(54) **PANTS**

(75) Inventors: **Takashi Kuraoka**, Koganei (JP); **Kagari Sako**, Kawasaki (JP); **Shouhei Tamanaha**, Tokyo (JP)

(73) Assignee: **Midori Creative Apparel Co., Ltd.** (JP)

(**) Term: **14 Years**

(21) Appl. No.: **29/404,650**

(22) Filed: **Oct. 24, 2011**

(30) **Foreign Application Priority Data**

Apr. 22, 2011 (JP) D2011-009373

(51) **LOC (9) Cl.** **02-02**

(52) **U.S. Cl.** **D2/742**

(58) **Field of Classification Search** D2/712,
D2/731, 738, 742; 2/227, 228, 236-238
See application file for complete search history.

(56) **References Cited**

U.S. PATENT DOCUMENTS

1,500,804	A *	7/1924	Crawford	2/227
4,216,547	A *	8/1980	Picchione	2/22
D517,280	S *	3/2006	Ota et al.	D2/731
D529,686	S *	10/2006	Ota et al.	D2/742
D541,009	S *	4/2007	Ota et al.	D2/731
D619,784	S *	7/2010	Kanada et al.	D2/742

D637,791	S *	5/2011	Hall et al.	D2/742
2010/0107299	A1 *	5/2010	Ota et al.	2/69
2011/0041226	A1 *	2/2011	Arensdorf	2/22

FOREIGN PATENT DOCUMENTS

JP	P2007-239160	A	9/2007
JP	P2008-138322	A	6/2008

OTHER PUBLICATIONS

Official Gazette for Japanese Patent No. 4294598, published Jul. 15, 2009.

* cited by examiner

Primary Examiner — Rashida Johnson

(74) *Attorney, Agent, or Firm* — SAIDMAN DesignLaw Group

(57) **CLAIM**

The ornamental design for pants, as shown and described.

DESCRIPTION

FIG. 1 is a front view of pants showing our new design;
FIG. 2 is a rear view thereof;
FIG. 3 is a left side view thereof;
FIG. 4 is a right side view thereof;
FIG. 5 is a top plan view thereof; and,
FIG. 6 is a bottom plan view thereof.

The broken lines are for illustrative purposes only and form no part of the claimed design. The crosshatch marks represent a stretchable fabric material and are not surface decoration.

1 Claim, 4 Drawing Sheets

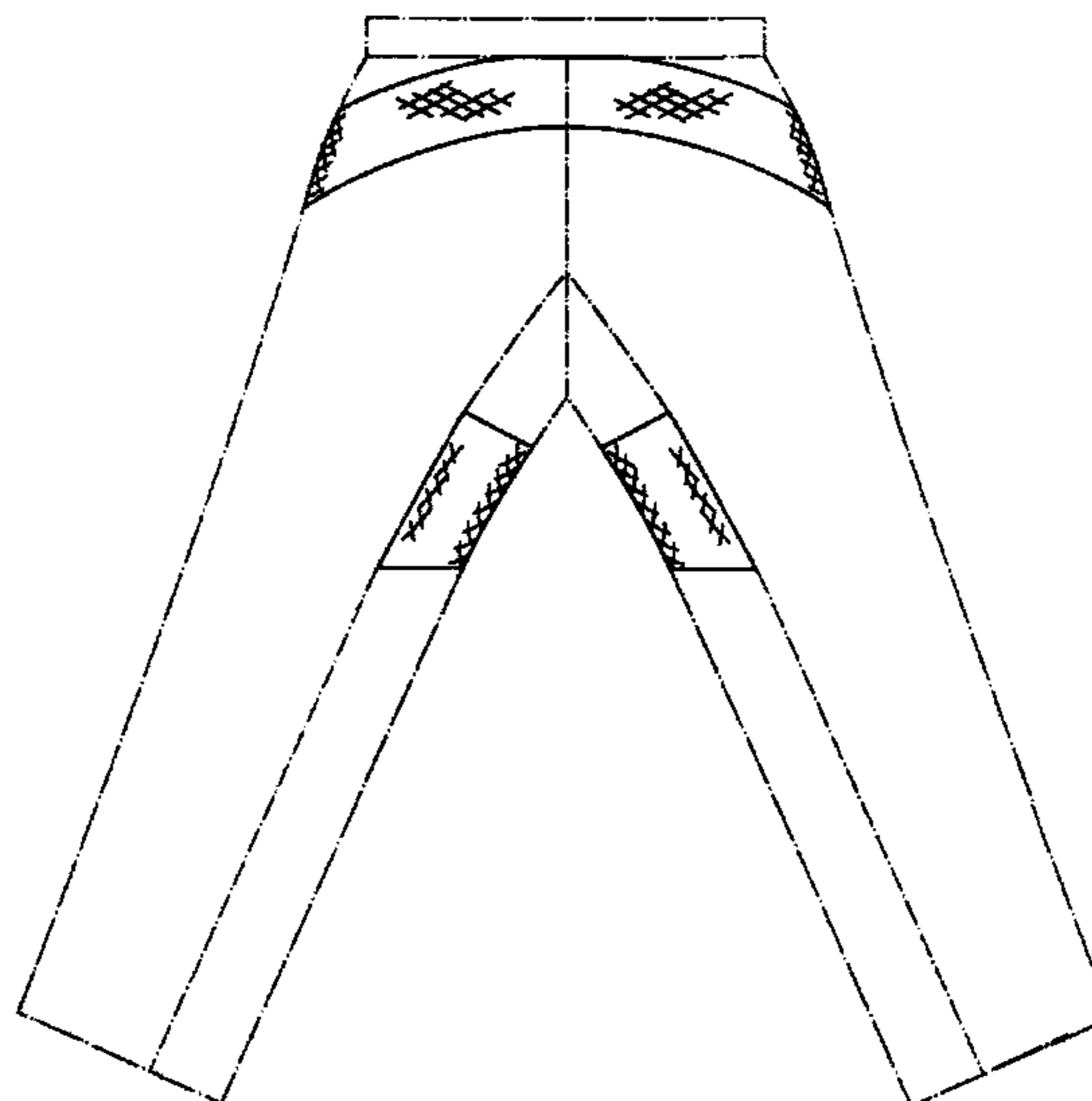
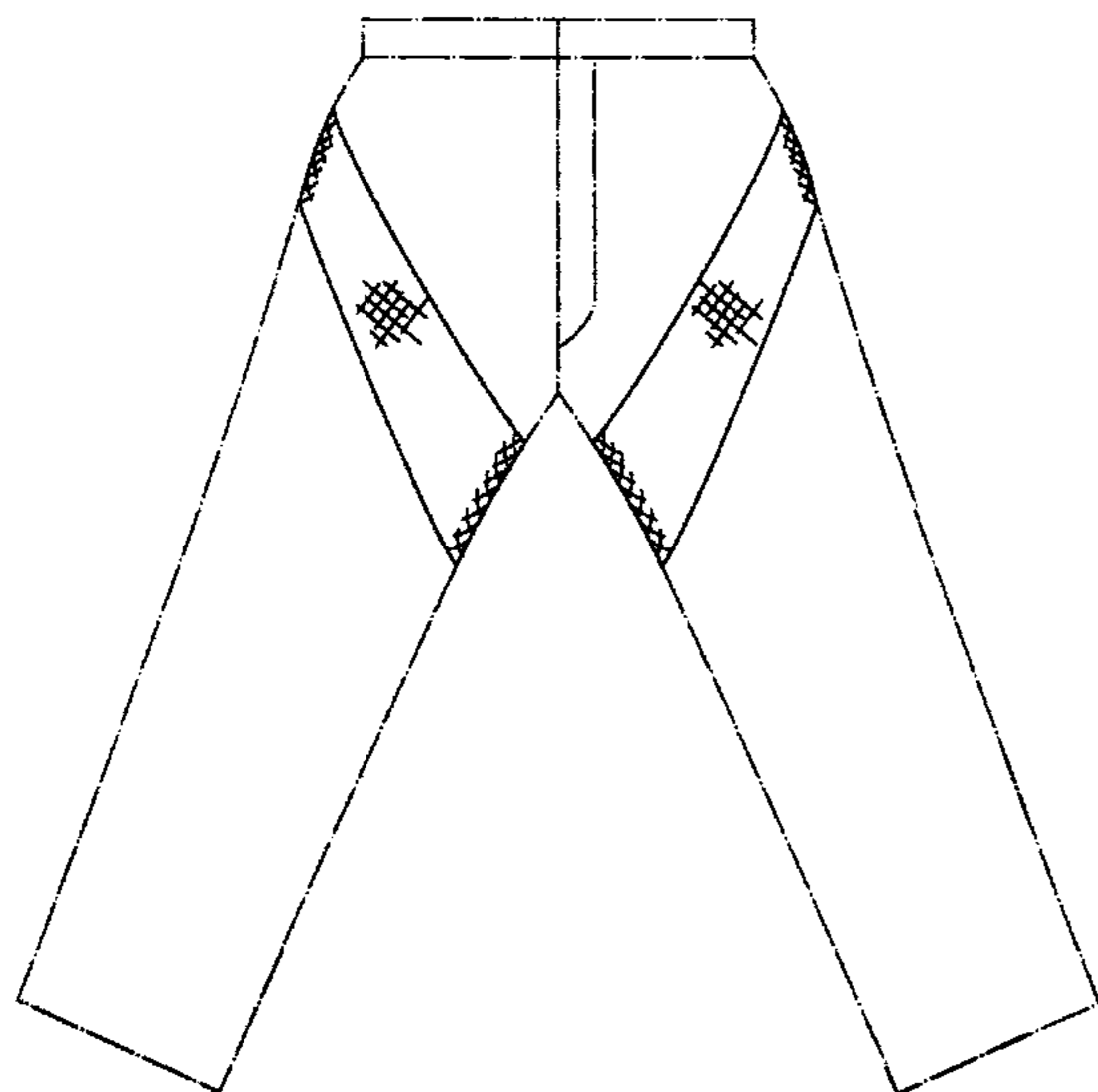


Fig. 1

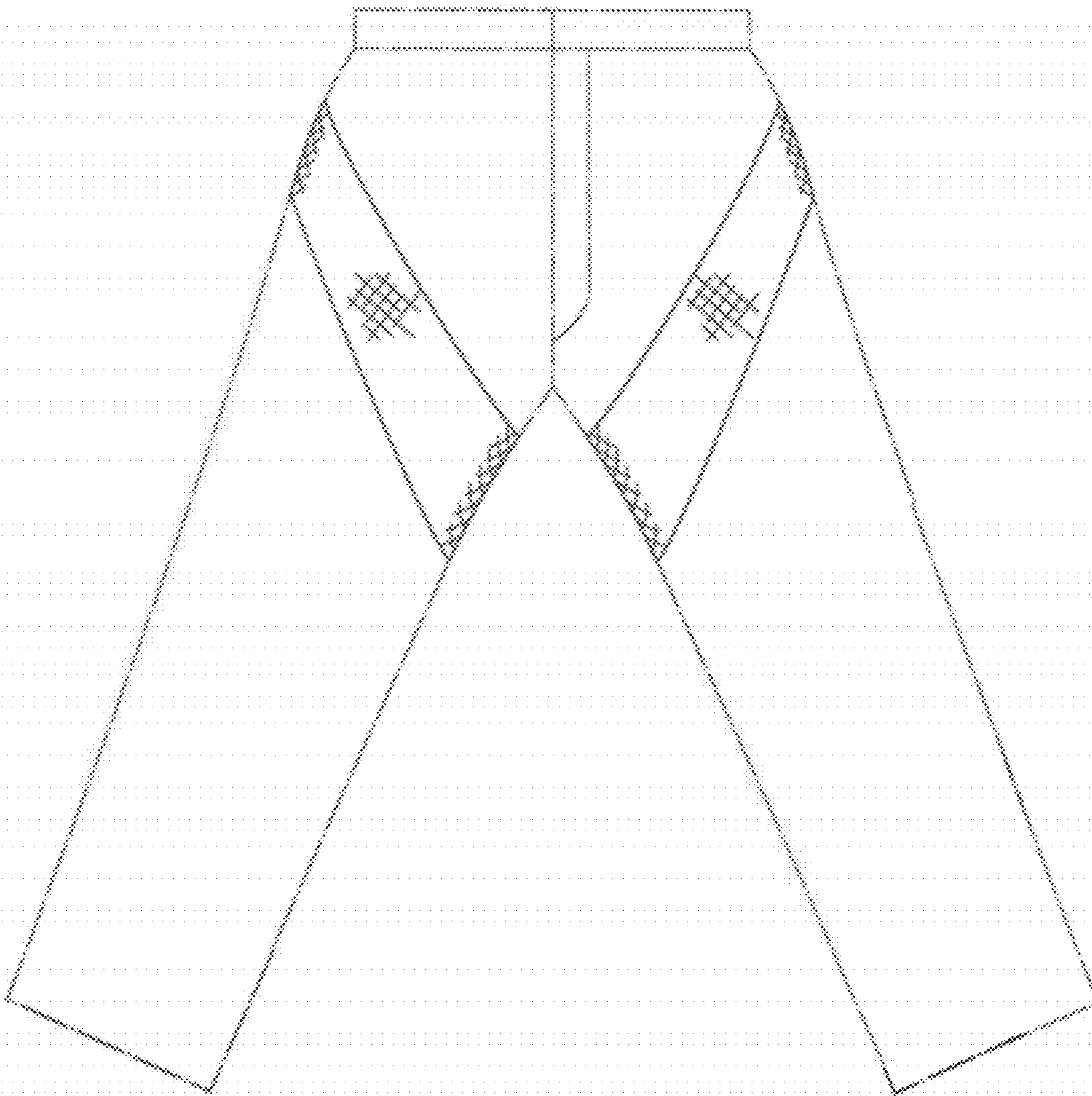


Fig.2

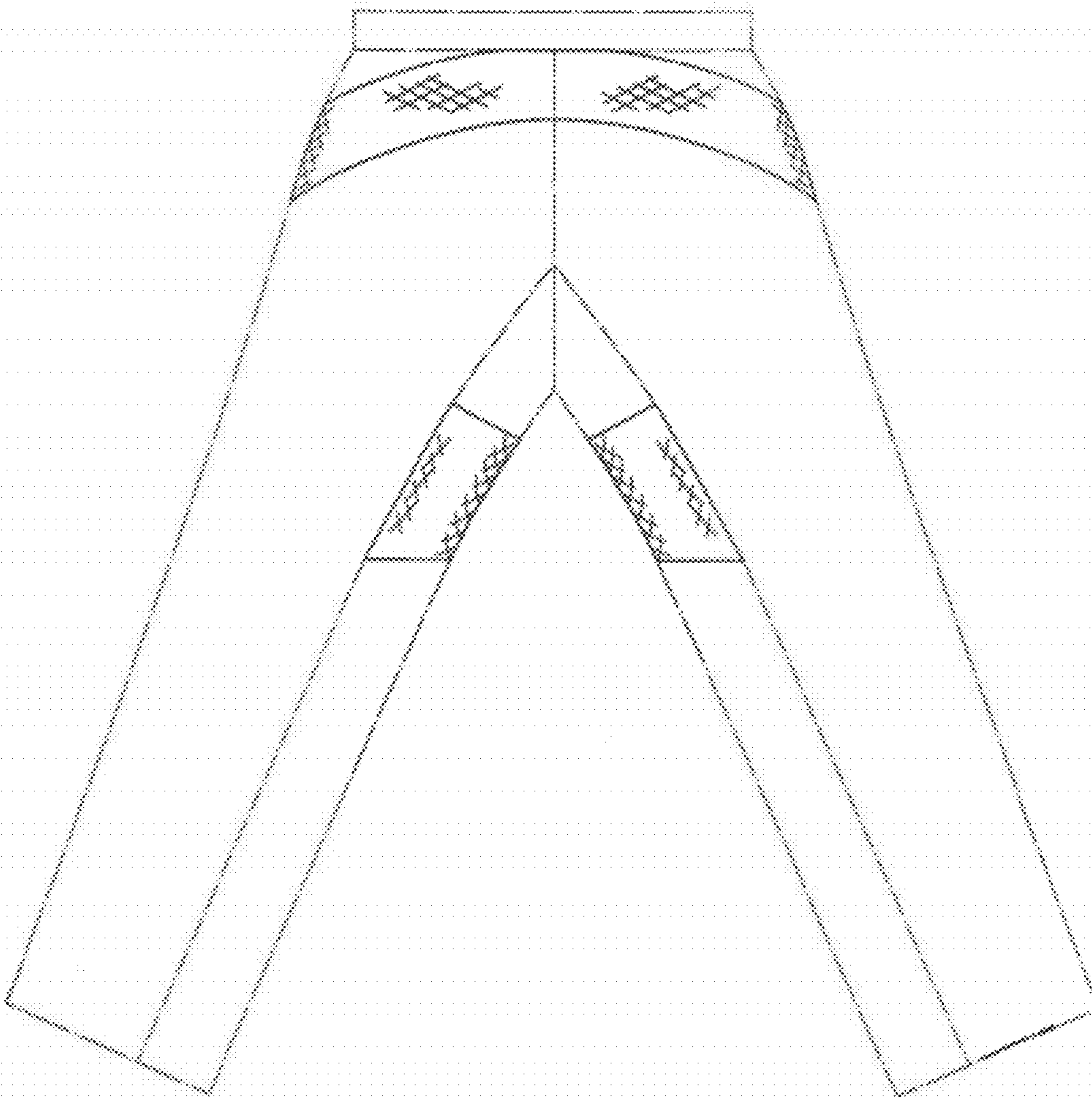


Fig.3

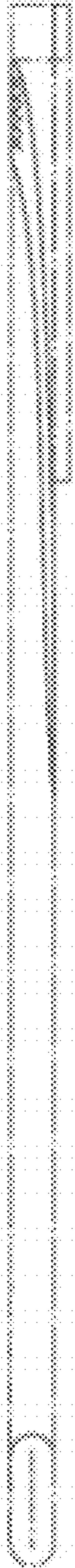


Fig.4

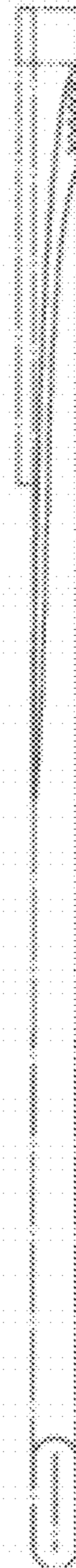


Fig.5

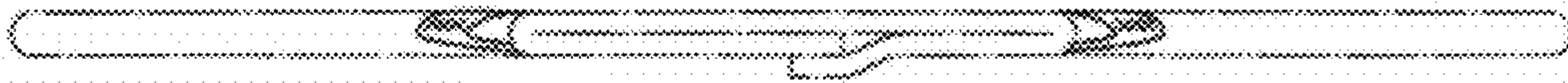


Fig.6

