

US00D660551S

(12) **United States Design Patent**  
**Steele**

(10) **Patent No.:** **US D660,551 S**

(45) **Date of Patent:** **\*\* May 29, 2012**

(54) **SUPPORT POCKET FOR MEN'S UNDERWEAR**

(76) **Inventor:** **Tyrone Steele, Ashburn, VA (US)**

(\*\*) **Term:** **14 Years**

(21) **Appl. No.:** **29/406,018**

(22) **Filed:** **Nov. 9, 2011**

(51) **LOC (9) Cl.** ..... **02-01**

(52) **U.S. Cl.** ..... **D2/712**

(58) **Field of Classification Search** ..... D2/712,  
D2/713, 714, 715, 716, 731, 736, 737, 739,  
D2/742; D24/124, 125, 126; 2/67, 73, 78.1,  
2/78.2, 78.3, 400, 401, 402, 238; 450/100,  
450/101, 102, 103, 104; 602/67; 604/345,  
604/393, 394, 395, 396, 397, 398, 399  
See application file for complete search history.

(56) **References Cited**

**U.S. PATENT DOCUMENTS**

|           |     |         |                  |        |
|-----------|-----|---------|------------------|--------|
| 602,188   | A * | 4/1898  | Sittig           | 2/238  |
| 1,052,765 | A * | 2/1913  | Strauss          | 602/67 |
| 1,404,855 | A * | 1/1922  | Heilmann         | 2/78.2 |
| 1,861,383 | A * | 5/1932  | Ficcio           | 2/227  |
| 2,033,551 | A   | 3/1936  | Rumery           |        |
| 2,323,842 | A * | 7/1943  | Rakauskas        | 602/67 |
| D160,328  | S   | 10/1950 | Marks            |        |
| 2,601,602 | A   | 6/1952  | Firsching        |        |
| 3,207,155 | A   | 9/1965  | Casey            |        |
| 4,014,044 | A * | 3/1977  | Figuerola et al. | 2/466  |
| 4,195,630 | A   | 4/1980  | Connery et al.   |        |
| 4,377,008 | A * | 3/1983  | Jung             | 2/403  |
| D268,454  | S   | 4/1983  | Novo             |        |
| 4,759,355 | A   | 7/1988  | Thrower          |        |
| 4,870,958 | A   | 10/1989 | Webster          |        |
| 4,961,419 | A   | 10/1990 | Tribble et al.   |        |
| 5,070,869 | A   | 12/1991 | Zhang            |        |
| 5,226,179 | A   | 7/1993  | Choi             |        |
| D339,219  | S   | 9/1993  | Beauchemin       |        |

|           |     |         |               |         |
|-----------|-----|---------|---------------|---------|
| 5,274,854 | A * | 1/1994  | Wenner et al. | 2/403   |
| D353,933  | S   | 1/1995  | Michels       |         |
| D362,950  | S   | 10/1995 | Molino        |         |
| 5,607,412 | A * | 3/1997  | Brown         | 604/332 |
| D378,947  | S * | 4/1997  | Desmond       | D2/738  |
| 5,636,387 | A * | 6/1997  | Lundy         | 2/408   |
| D389,289  | S   | 1/1998  | Law           |         |

(Continued)

**OTHER PUBLICATIONS**

US Trademark 77897272, filed Dec. 18, 2009, first use in commerce date Dec. 31, 2009; [retrieved from the Internet on Apr. 03, 2012]; URL: <<http://tarr.uspto.gov/serylet/tarr?regser=serial&entry=77897272>>. (7 pages).\*

*Primary Examiner* — Karen E Eldridge Powers  
(74) *Attorney, Agent, or Firm* — Maier & Maier, PLLC

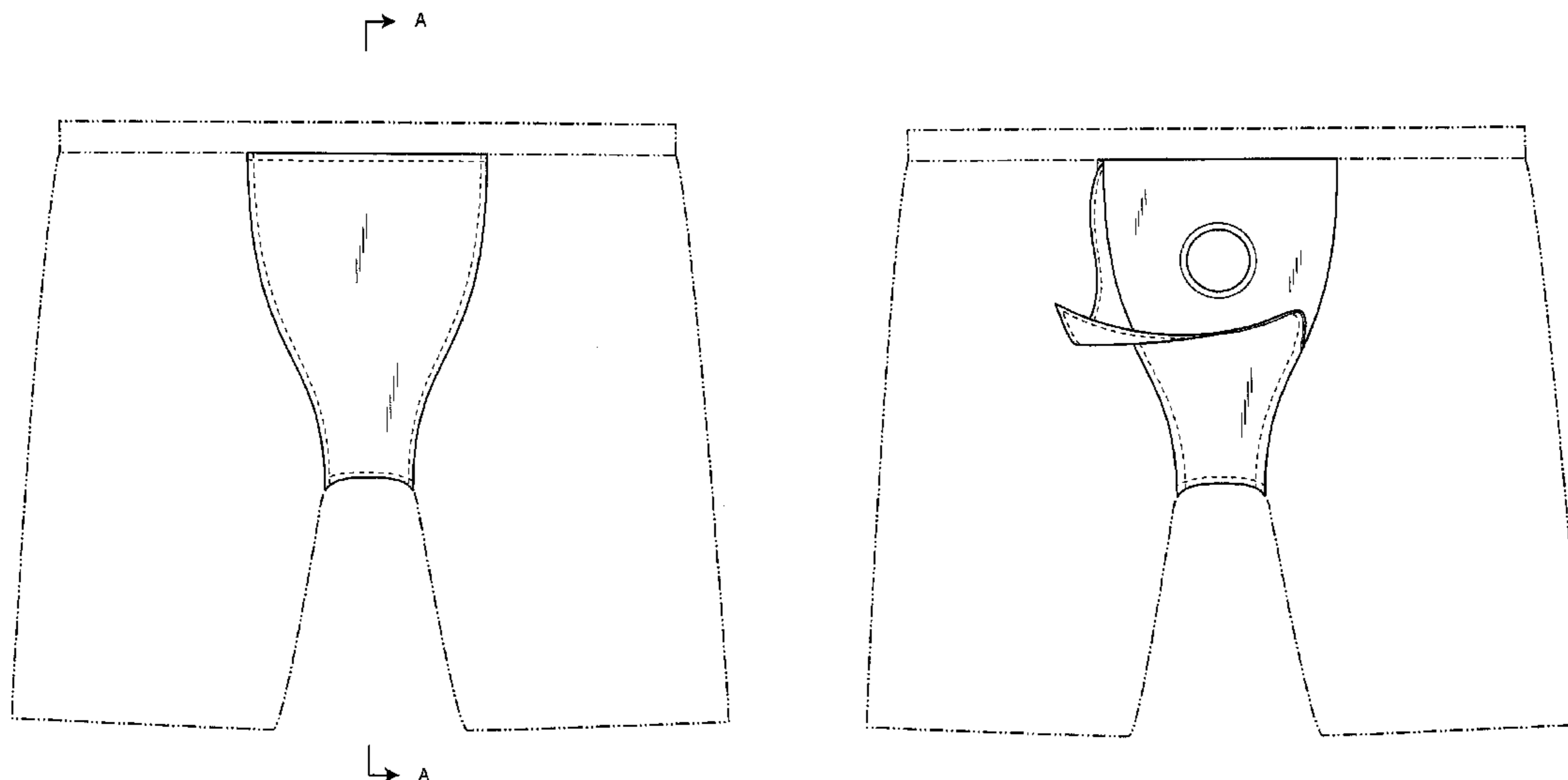
(57) **CLAIM**

The ornamental design for a support pocket for men's underwear, as shown and described.

**DESCRIPTION**

FIG. 1 is a front elevational view of a support pocket for men's underwear, showing my design;  
FIG. 2 is a front elevational view thereof, showing the front flap unfastened;  
FIG. 3 is a rear elevational view thereof, it being understood that the rear view is seen from the interior of the underwear; and,  
FIG. 4 is a cross-sectional view thereof, along line A-A of FIG. 1.  
The 'dash-dash-dash' broken lines shown throughout the drawings represents conventional stitching.  
The 'dot-dot-dash' broken lines shown throughout the drawings illustrate the article to which the design is applied and form no part of the claim.

**1 Claim, 4 Drawing Sheets**



# US D660,551 S

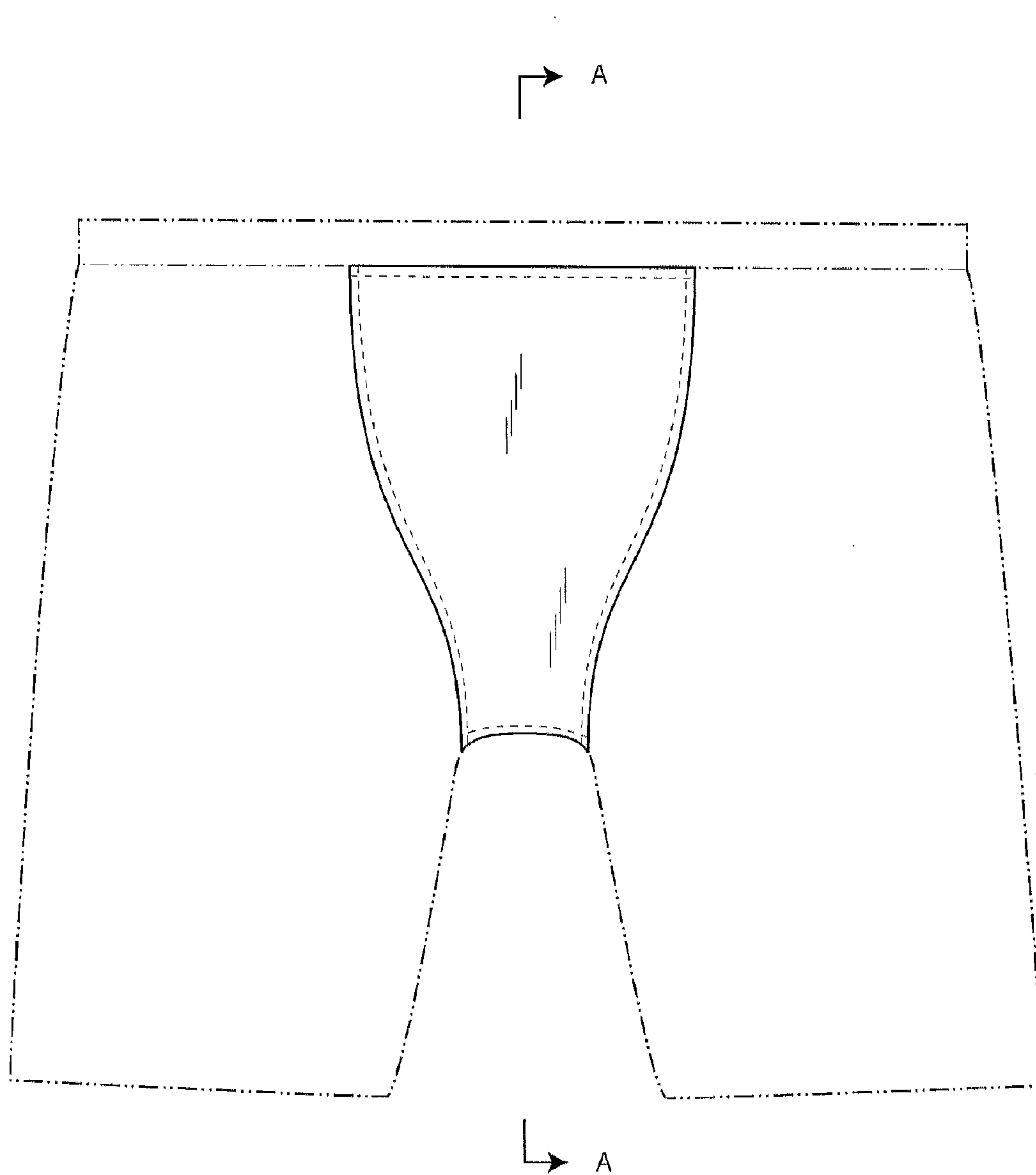
Page 2

---

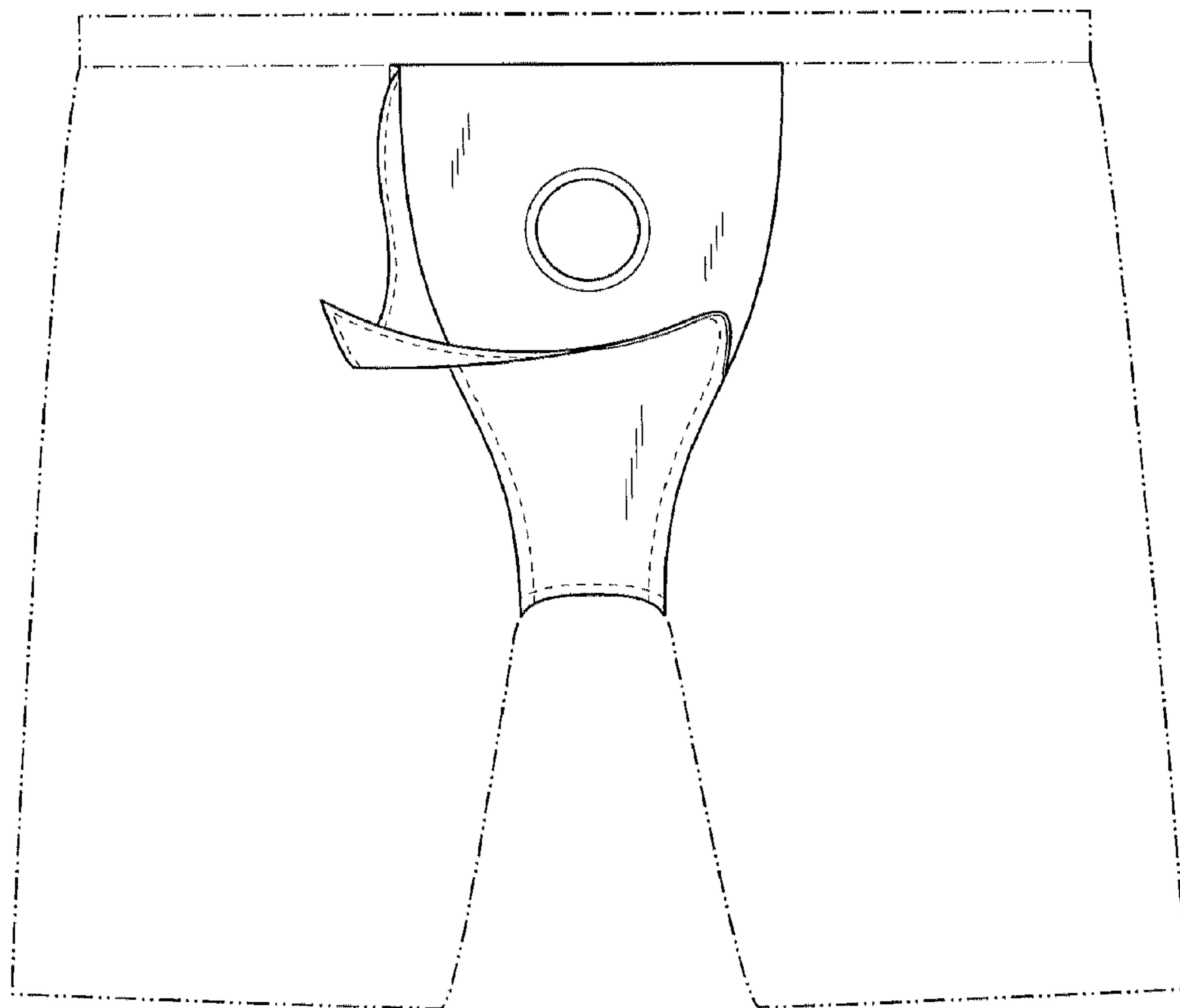
## U.S. PATENT DOCUMENTS

|              |      |         |                      |         |  |  |  |
|--------------|------|---------|----------------------|---------|--|--|--|
| 5,870,779    | A    | 2/1999  | Heron                |         |  |  |  |
| 5,875,495    | A    | 3/1999  | Thrower              |         |  |  |  |
| 6,018,822    | A *  | 2/2000  | Hernandez .....      | 2/405   |  |  |  |
| D423,188     | S    | 4/2000  | Raffali              |         |  |  |  |
| D445,239     | S    | 7/2001  | Harris               |         |  |  |  |
| 6,295,651    | B1   | 10/2001 | Kang                 |         |  |  |  |
| 6,662,378    | B2 * | 12/2003 | Vartanyan .....      | 2/403   |  |  |  |
| D494,738     | S *  | 8/2004  | Kirkup .....         | D2/712  |  |  |  |
| D506,303     | S    | 6/2005  | Rocha                |         |  |  |  |
| 6,901,607    | B1   | 6/2005  | Elwell               |         |  |  |  |
| D509,945     | S    | 9/2005  | Ogle                 |         |  |  |  |
| D528,266     | S    | 9/2006  | Langmyr              |         |  |  |  |
| D529,260     | S    | 10/2006 | Langmyr              |         |  |  |  |
| D530,485     | S    | 10/2006 | Langmyr              |         |  |  |  |
| D537,236     | S    | 2/2007  | Langmyr              |         |  |  |  |
| D539,507     | S    | 4/2007  | Langmyr              |         |  |  |  |
| 7,434,273    | B2   | 10/2008 | Chung                |         |  |  |  |
| D590,129     | S    | 4/2009  | Warman               |         |  |  |  |
| D651,377     | S *  | 1/2012  | Weaver et al. ....   | D2/712  |  |  |  |
| 8,087,098    | B2 * | 1/2012  | Kimberly et al. .... | 2/400   |  |  |  |
| 2004/0025218 | A1   | 2/2004  | Huang                |         |  |  |  |
| 2006/0277649 | A1   | 12/2006 | Smith                |         |  |  |  |
| 2007/0277285 | A1 * | 12/2007 | Gravette et al. .... | 2/78.1  |  |  |  |
| 2008/0114327 | A1 * | 5/2008  | Barge .....          | 604/396 |  |  |  |
| 2009/0106874 | A1   | 4/2009  | Shlush               |         |  |  |  |
| 2011/0023216 | A1 * | 2/2011  | O'Leary .....        | 2/400   |  |  |  |

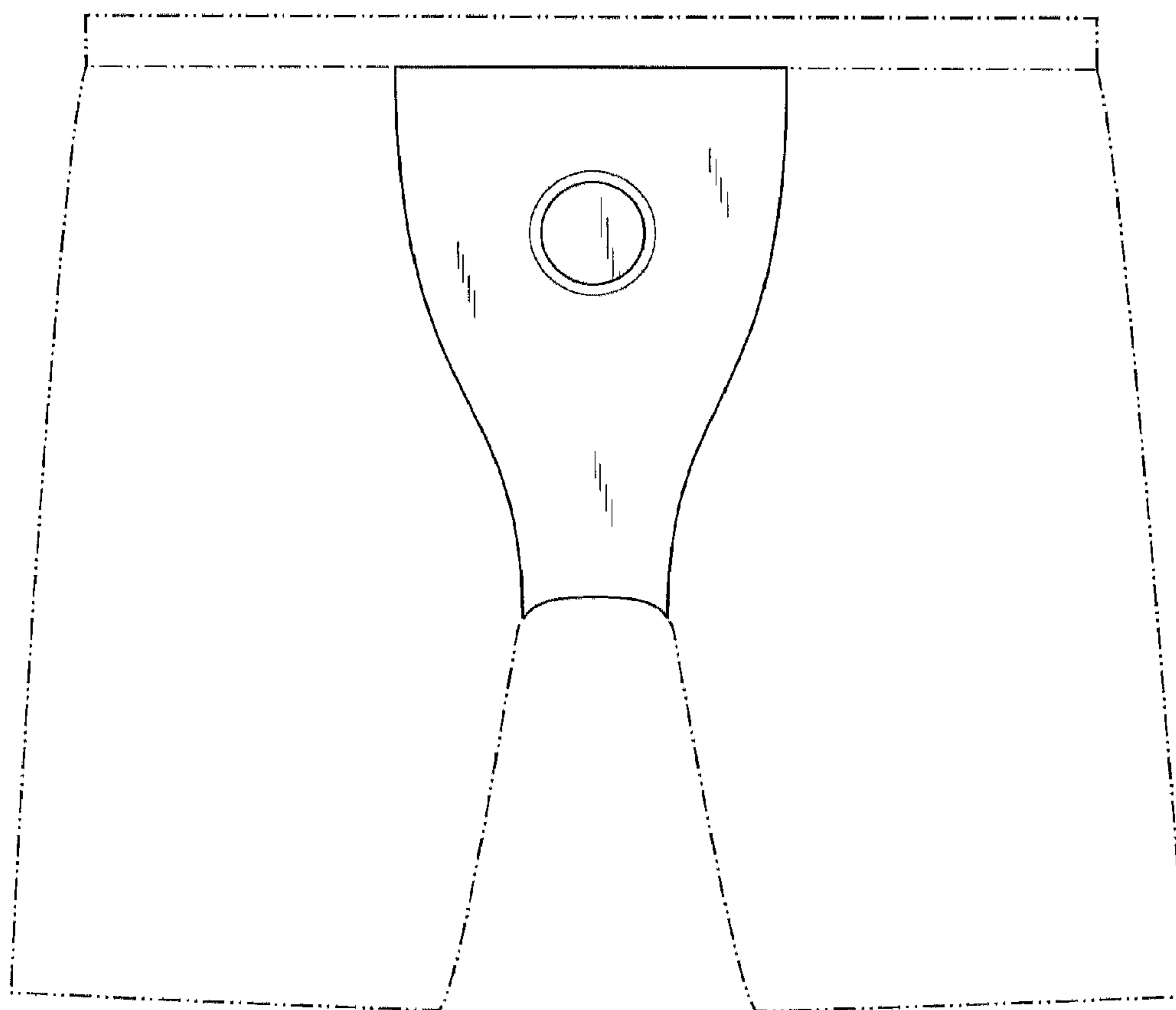
\* cited by examiner



**Fig. 1**



*Fig. 2*



*Fig. 3*



*Fig. 4*