

US00D660545S

(12) **United States Design Patent**  
**Kendall**

(10) **Patent No.:** **US D660,545 S**

(45) **Date of Patent:** **\*\* May 22, 2012**

(54) **BURIAL URN**

(75) Inventor: **Desmond M. Kendall**, Toronto (CA)

(73) Assignee: **Swedcan Lumican Plastics Inc.**,  
Toronto, Ontario (CA)

(\*\*) Term: **14 Years**

(21) Appl. No.: **29/392,571**

(22) Filed: **May 24, 2011**

(30) **Foreign Application Priority Data**

Mar. 31, 2011 (CA) ..... 139854

(51) **LOC (9) Cl.** ..... **99-00**

(52) **U.S. Cl.** ..... **D99/1**

(58) **Field of Classification Search** ..... D99/5;  
27/1; D9/414, 432, 430; D7/629, 630; 220/257.2;  
206/216, 459.5

See application file for complete search history.

(56) **References Cited**

U.S. PATENT DOCUMENTS

- 2,385,520 A \* 9/1945 Klinzing ..... 27/1
- 2,739,751 A \* 3/1956 Bailey ..... 220/522
- D213,777 S \* 4/1969 Chandler ..... D99/5
- D214,894 S \* 8/1969 Chandler ..... D99/5

- 3,836,042 A \* 9/1974 Petitto ..... 206/519
- D263,088 S \* 2/1982 Krech ..... D99/5
- 4,375,862 A \* 3/1983 Kurinsky et al. .... 220/293
- D334,113 S \* 3/1993 Lewis et al. .... D7/629
- D338,316 S \* 8/1993 Nakaue ..... D99/28
- D341,467 S \* 11/1993 Allen ..... D99/5
- 5,471,718 A \* 12/1995 Harrill ..... 27/7
- D427,063 S \* 6/2000 May ..... D9/425
- D445,689 S \* 7/2001 McCutchan ..... D9/772
- D493,934 S \* 8/2004 Diviak, Sr. .... D99/5
- D542,128 S \* 5/2007 Gross et al. .... D9/429
- D645,748 S \* 9/2011 Sharma et al. .... D9/503

\* cited by examiner

*Primary Examiner* — Paula Greene

(74) *Attorney, Agent, or Firm* — Perley-Robertson, Hill & McDougall LLP

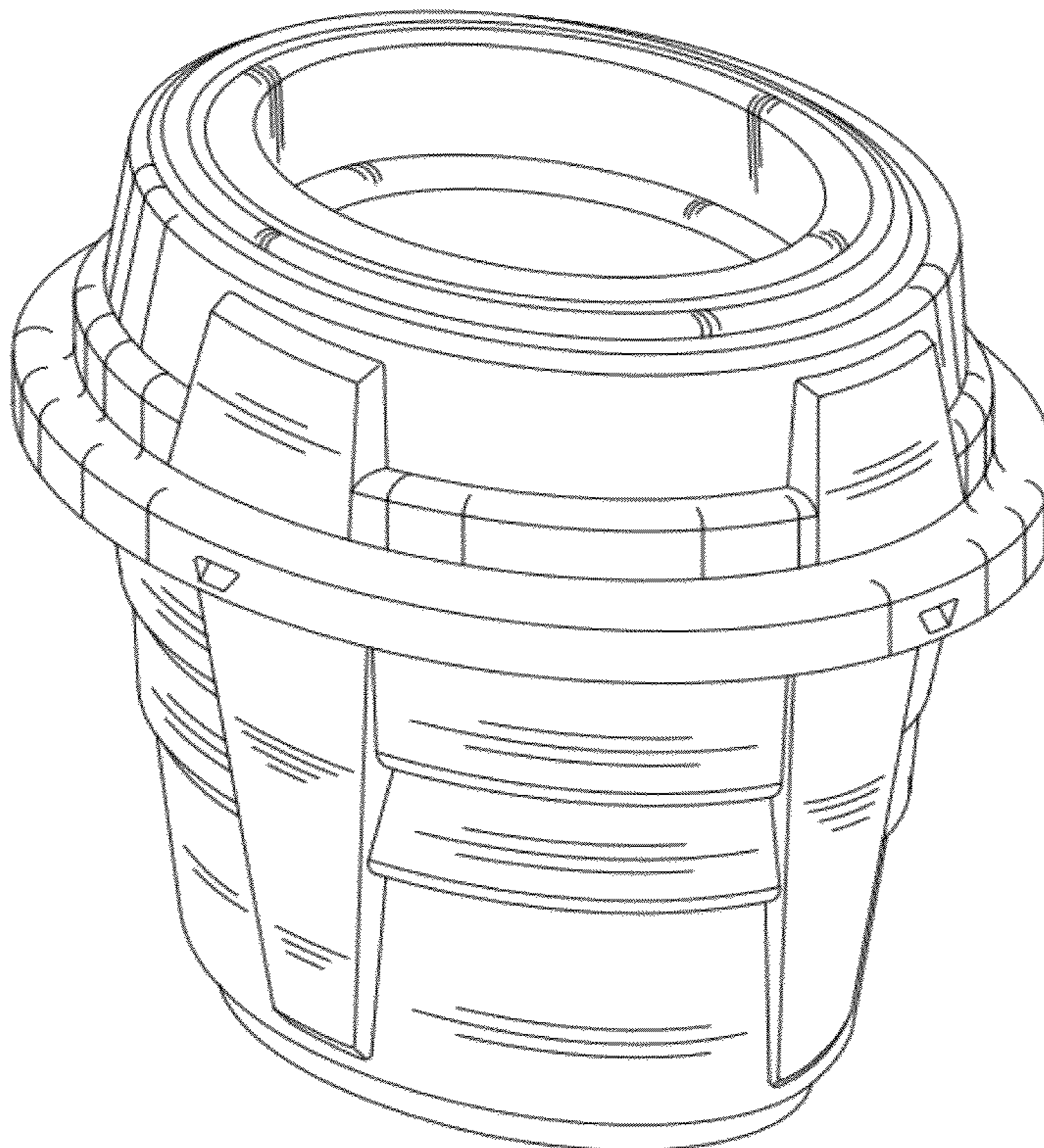
(57) **CLAIM**

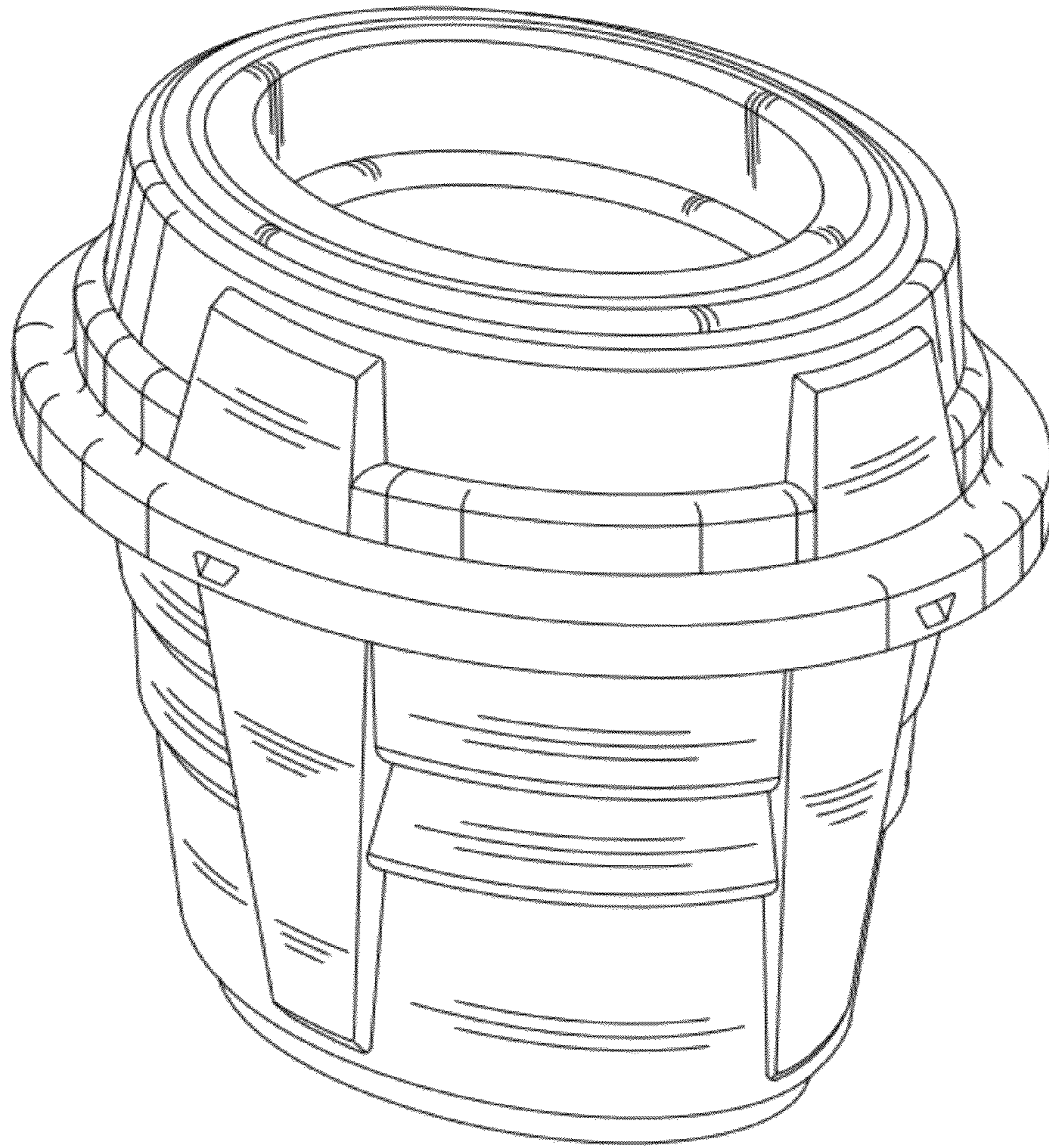
The ornamental design for a burial urn, as shown and described.

**DESCRIPTION**

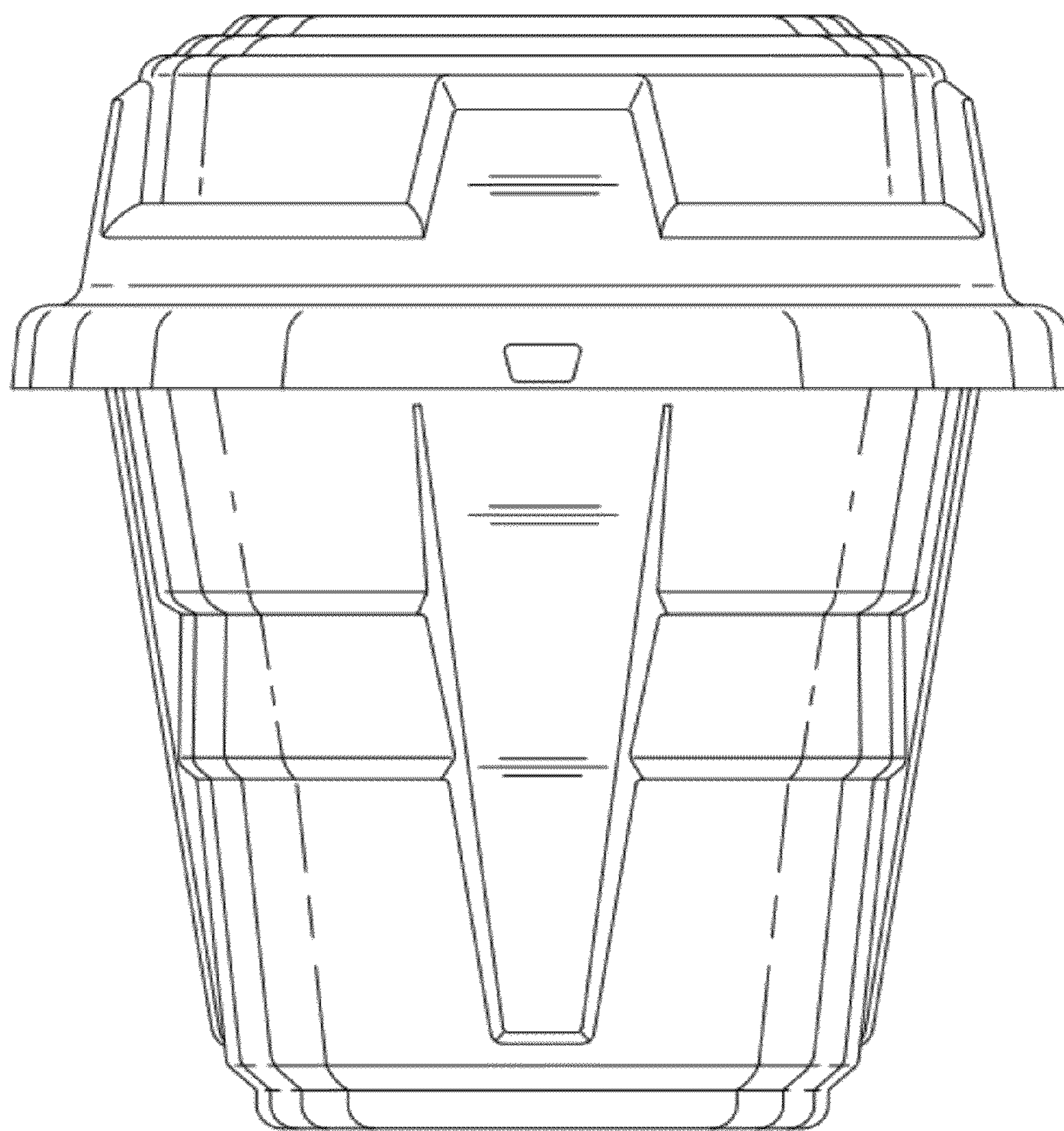
- FIG. 1 is a perspective view;
- FIG. 2 is a right side view;
- FIG. 3 is a left side view;
- FIG. 4 is a front view;
- FIG. 5 is a rear view;
- FIG. 6 is a top plan view; and,
- FIG. 7 is a bottom plan view.

**1 Claim, 7 Drawing Sheets**

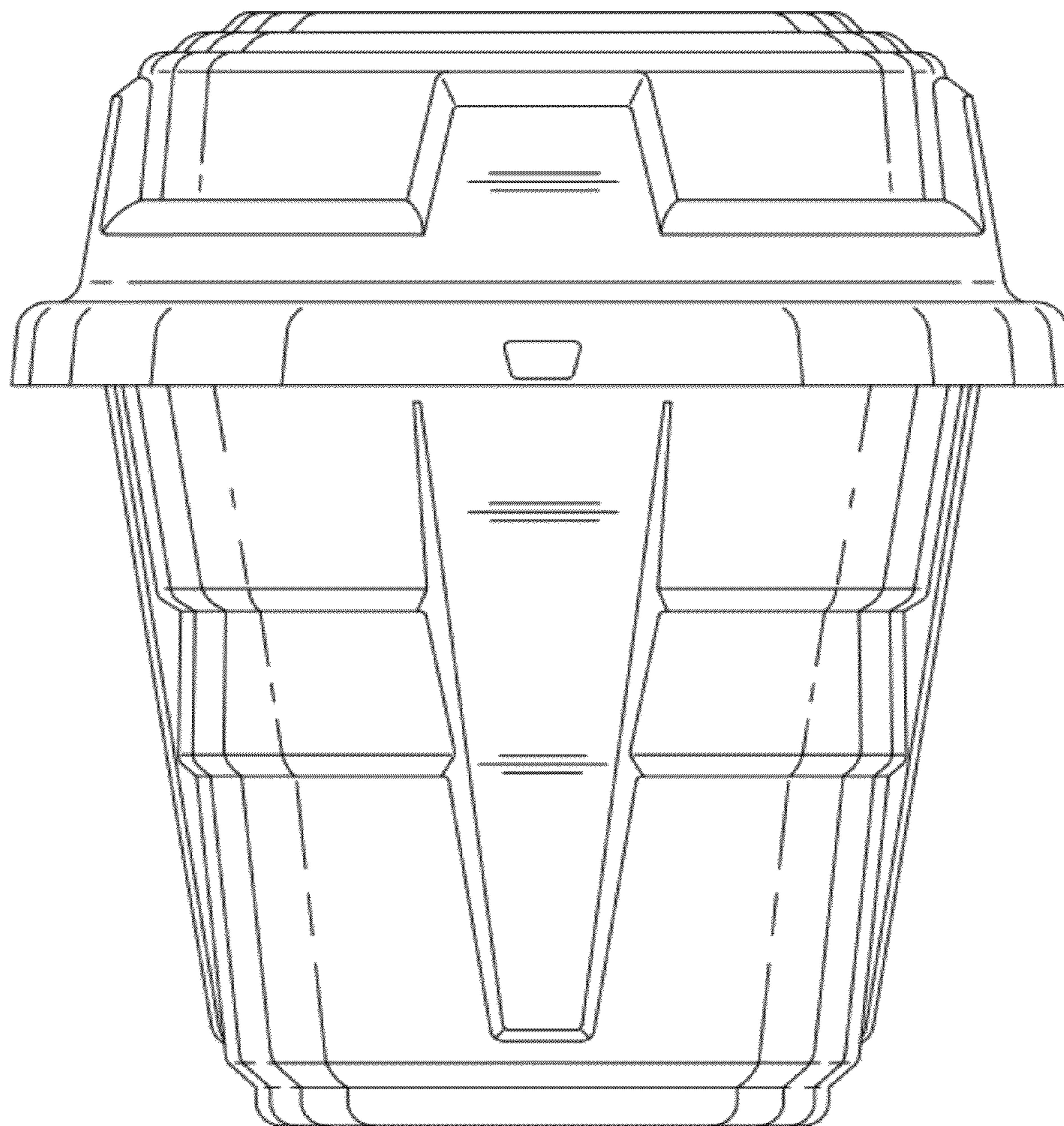




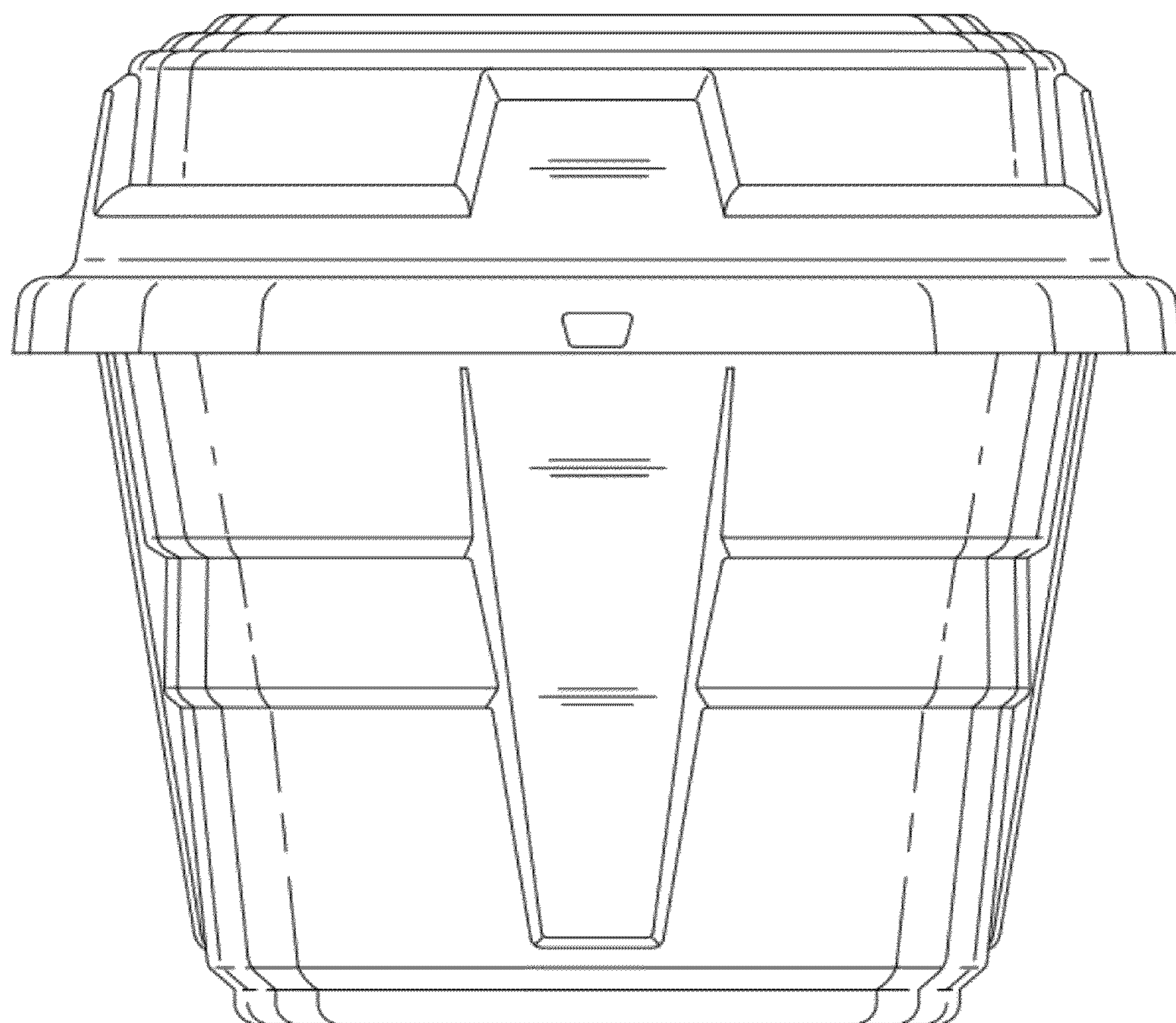
**FIG. 1**



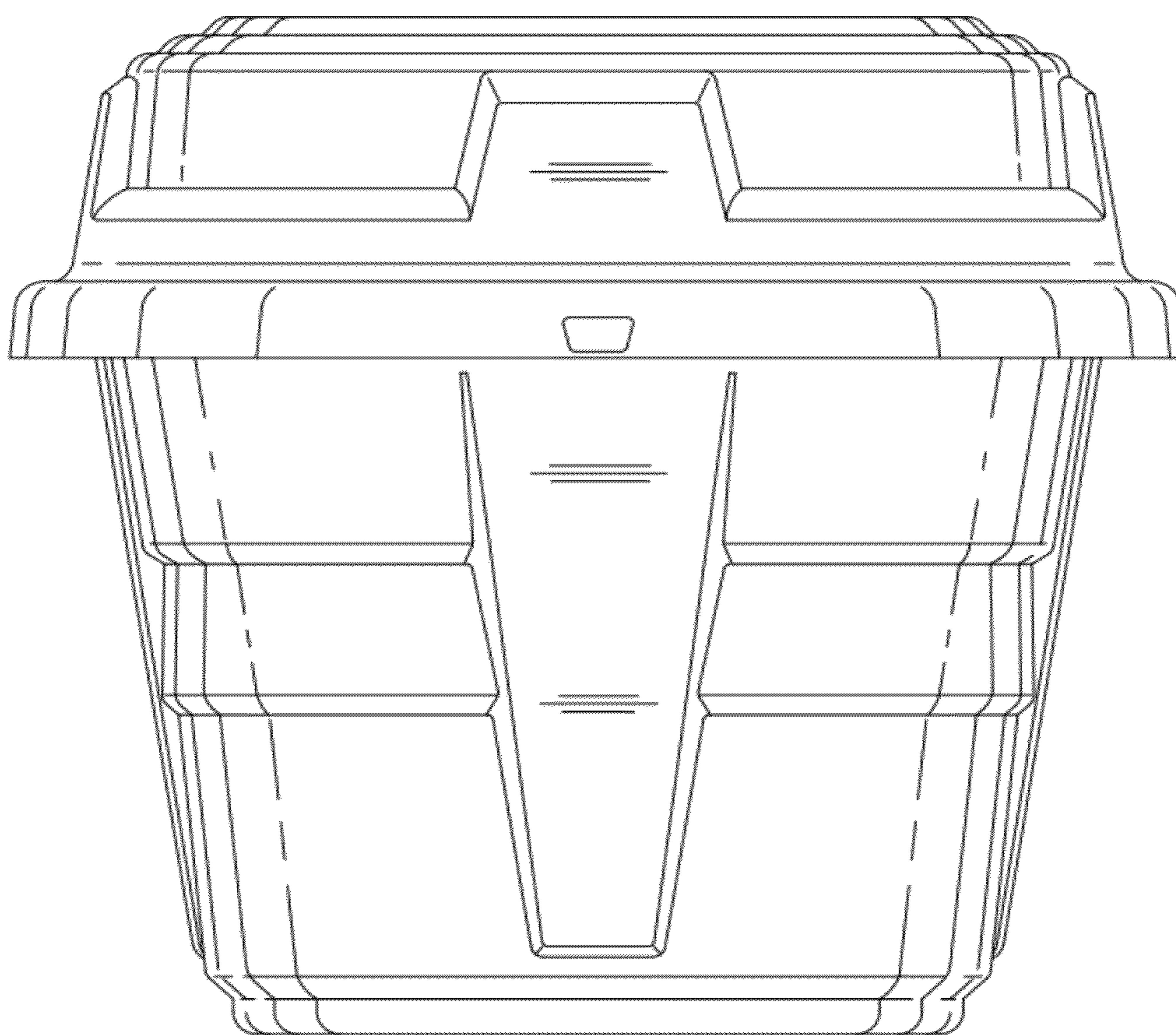
**FIG. 2**



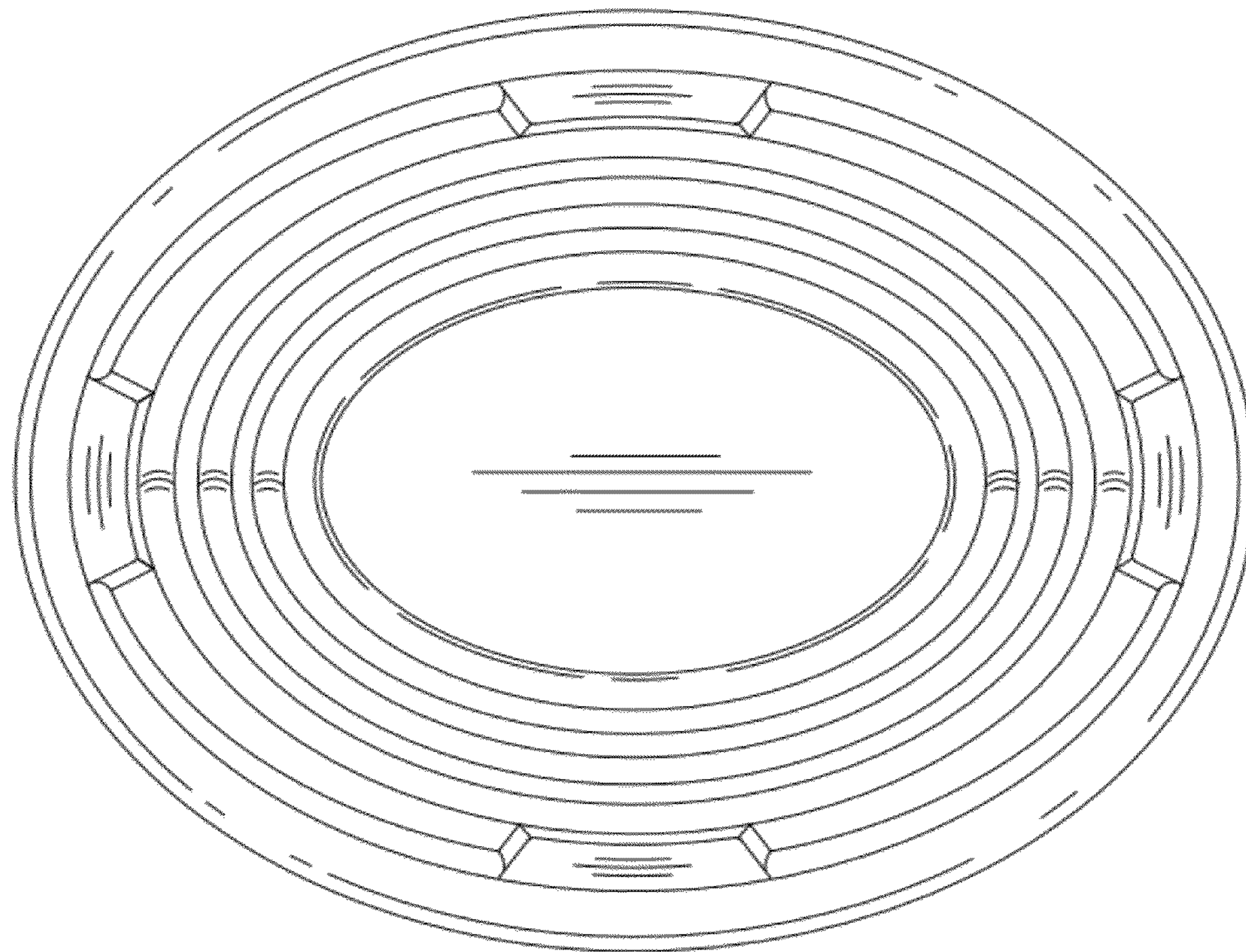
**FIG. 3**



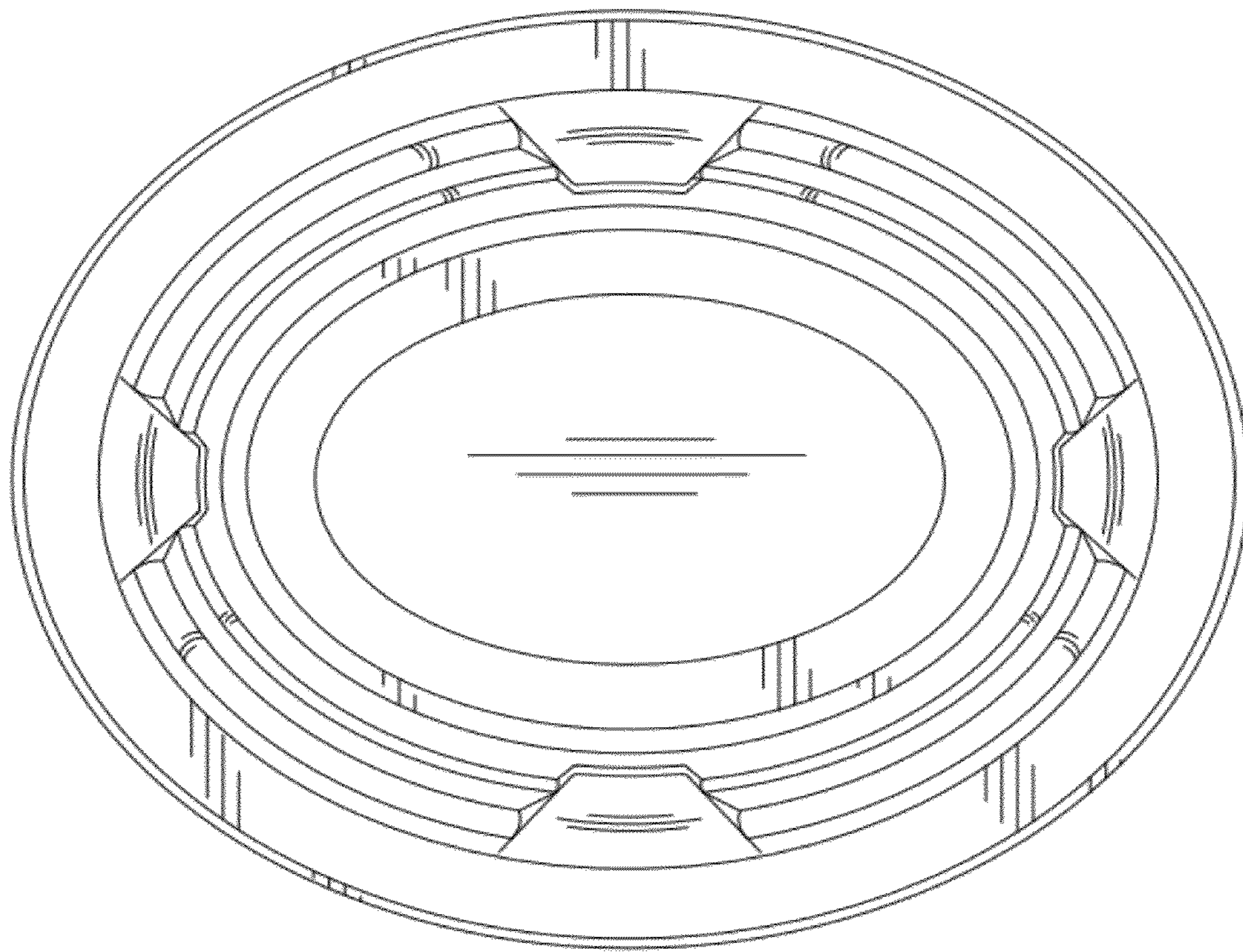
**FIG. 4**



**FIG. 5**



**FIG. 6**



**FIG. 7**