

US00D660544S

(12) **United States Design Patent**  
**Onayama**

(10) **Patent No.:** **US D660,544 S**

(45) **Date of Patent:** **\*\* May 22, 2012**

(54) **SLAT FOR CONVEYOR**

(75) Inventor: **Manabu Onayama**, Omihachiman (JP)

(73) Assignee: **Daifuku Co., Ltd.**, Osaka (JP)

(\*\*) Term: **14 Years**

(21) Appl. No.: **29/381,072**

(22) Filed: **Dec. 15, 2010**

(51) **LOC (9) Cl.** ..... **12-05**

(52) **U.S. Cl.** ..... **D34/29; D34/35; D25/119**

(58) **Field of Classification Search** ..... D34/29,  
D34/35; D25/119, 120, 121, 123, 124, 125;  
52/800.12; 198/851, 837, 838; D8/349

See application file for complete search history.

(56) **References Cited**

U.S. PATENT DOCUMENTS

D238,510	S	*	1/1976	Tabler	.....	D34/29
D305,366	S	*	1/1990	Ripley	.....	D25/119
D345,427	S	*	3/1994	Moss et al.	.....	D25/119
D464,783	S	*	10/2002	Abbestam	.....	D34/29
D549,996	S	*	9/2007	Guiles et al.	.....	D6/495
7,506,743	B2		3/2009	Enomoto		
D635,692	S	*	4/2011	Wirthgen	.....	D25/119
D655,884	S	*	3/2012	Spies et al.	.....	D34/35

FOREIGN PATENT DOCUMENTS

JP	2006273433	A	10/2006
JP	20009249121	A	10/2009

\* cited by examiner

*Primary Examiner* — Cynthia Ramirez

(74) *Attorney, Agent, or Firm* — Karl F. Milde, Jr.; Eckert  
Seamans Cherin & Mellott, LLC

(57) **CLAIM**

The ornamental design for a conveyor slat, as shown and  
described.

**DESCRIPTION**

FIG. 1 is a perspective view of the conveyor slat according to  
the design.

FIG. 2 is a top view of the conveyor slat of in FIG. 1.

FIG. 3 is a bottom view of the conveyor slat of in FIG. 1.

FIG. 4 is an elevational view of one side of the conveyor slat  
of FIG. 1.

FIG. 5 is an elevational view of the opposite side of the  
conveyor slat of FIG. 1.

FIG. 6 is an elevational view of one end of the conveyor slat  
of FIG. 1.

FIG. 7 is an elevational view of the opposite end of the  
conveyor slat of FIG. 1.

FIG. 8 is an elevational view of one side of the conveyor slat  
of FIG. 1 with an attached pressing member shown in dashed  
lines.

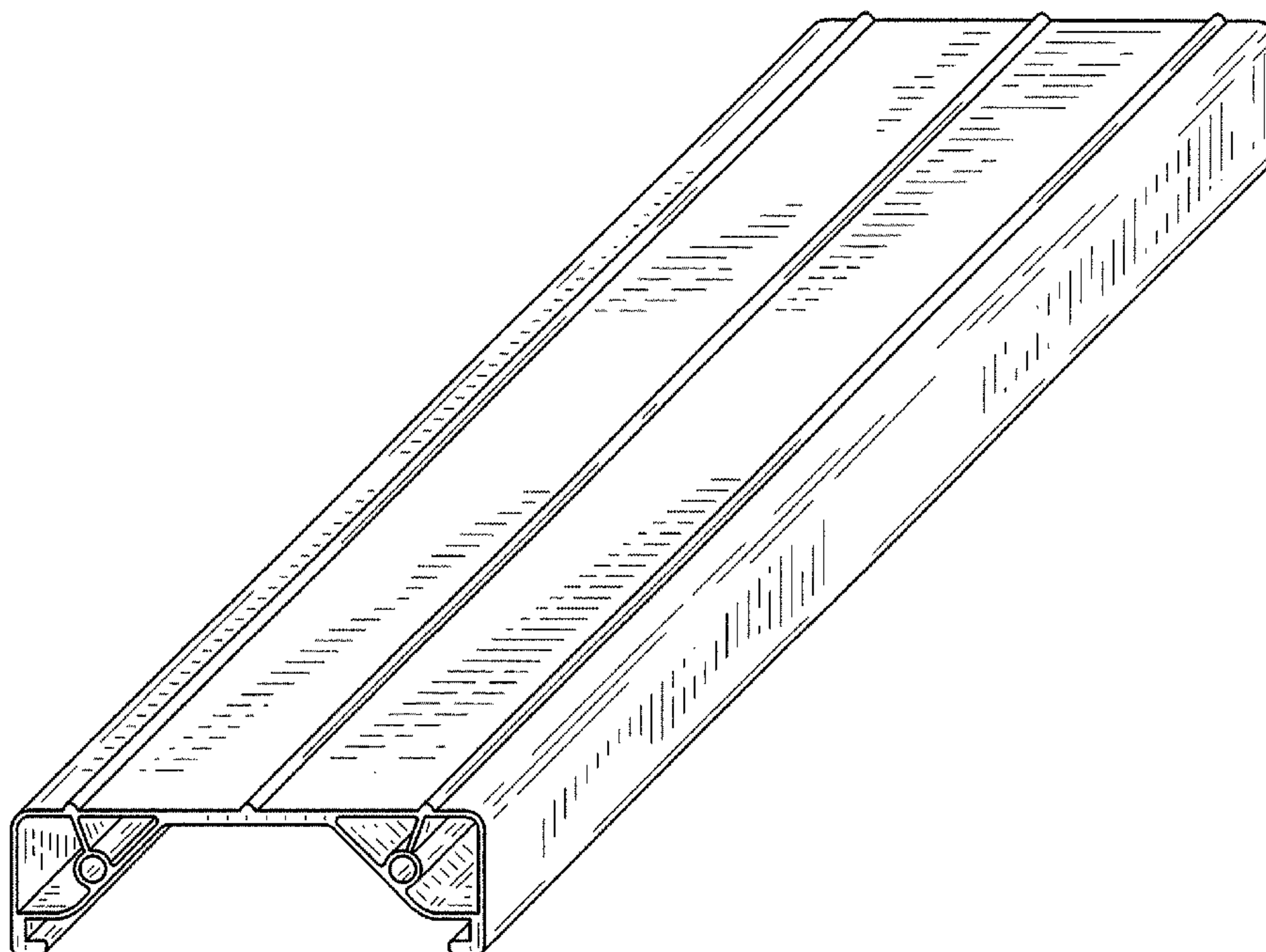
FIG. 9 is an elevational view of the opposite side of the  
conveyor slat of FIG. 1 with the attached pressing member  
shown in dashed lines.

FIG. 10 is a top view of the conveyor slat of FIG. 1 with the  
attached pressing member for sorting shown in dashed lines;  
and,

FIG. 11 is an end view of the conveyor slat of FIG. 1 with the  
attached pressing member for sorting shown in dashed lines.

The broken line showing of a pressing member in FIGS. 8-11  
is included for the purpose of illustrating environment and  
forms no part of the claimed design.

**1 Claim, 10 Drawing Sheets**



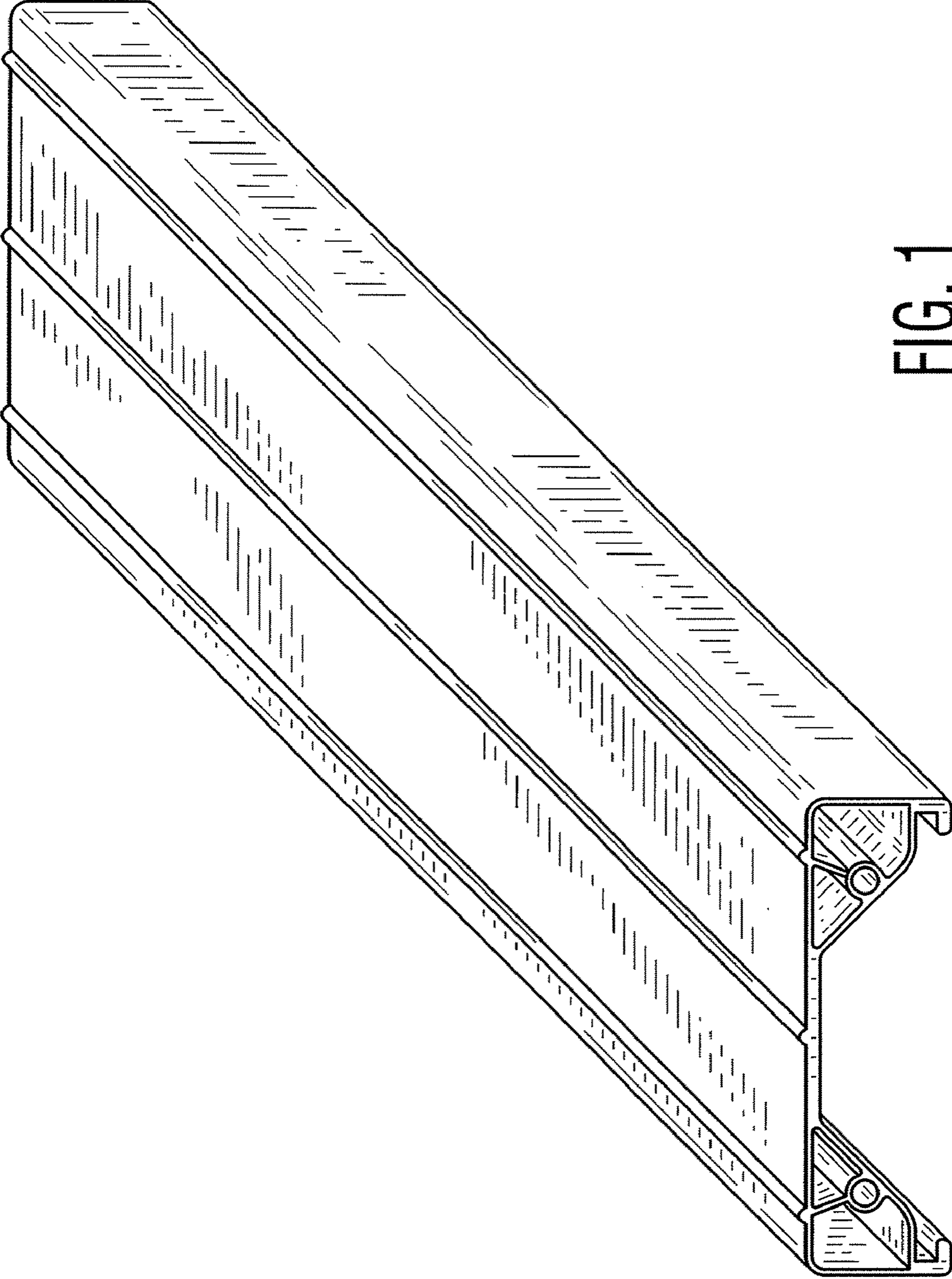


FIG. 1

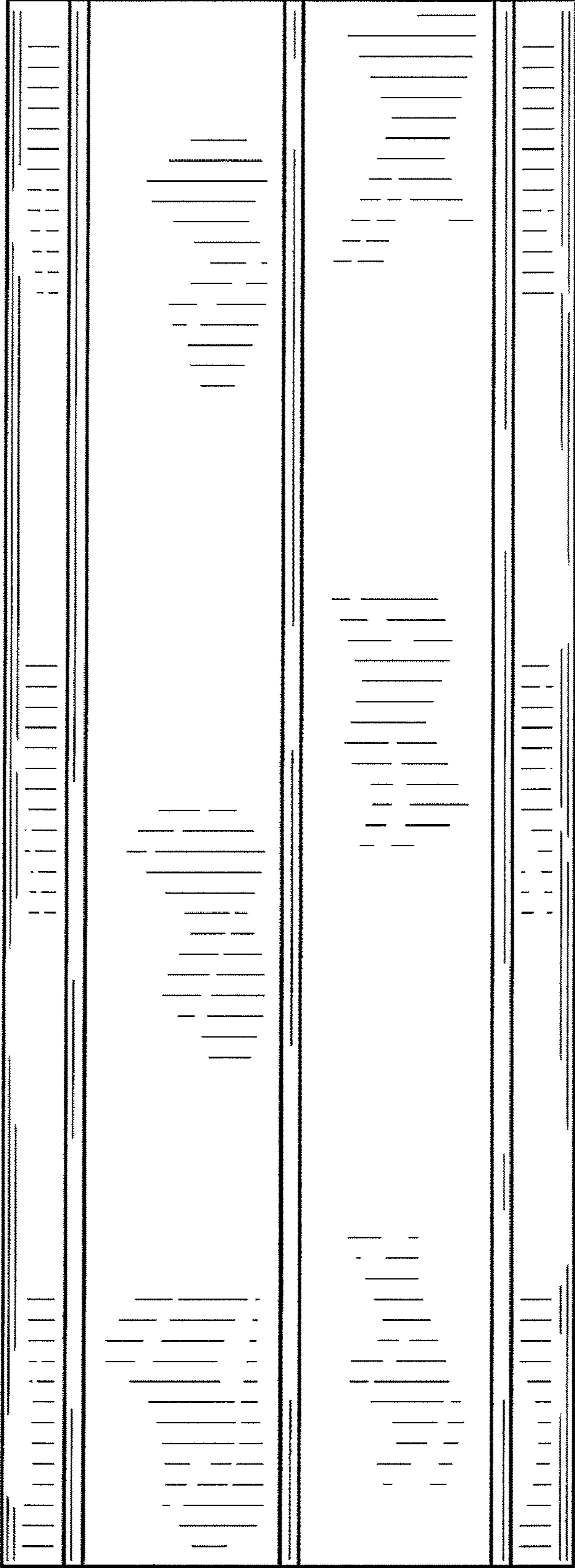


FIG. 2



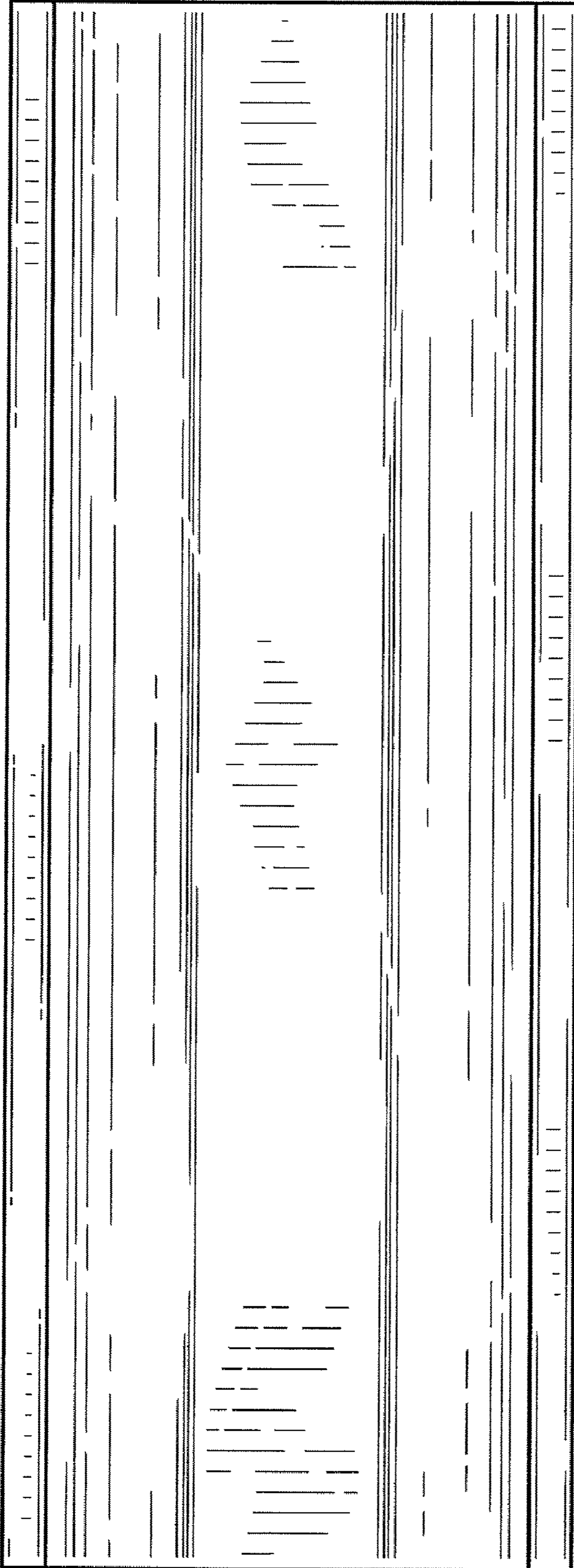


FIG. 3

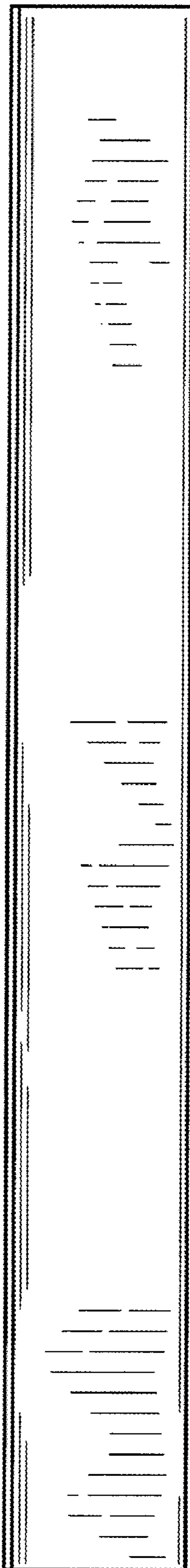


FIG. 4

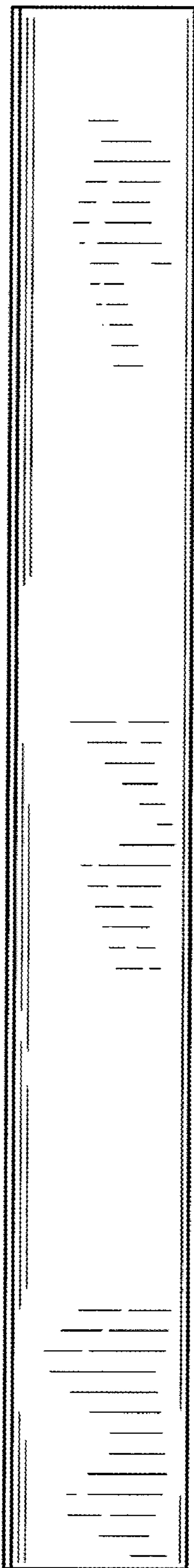


FIG. 5

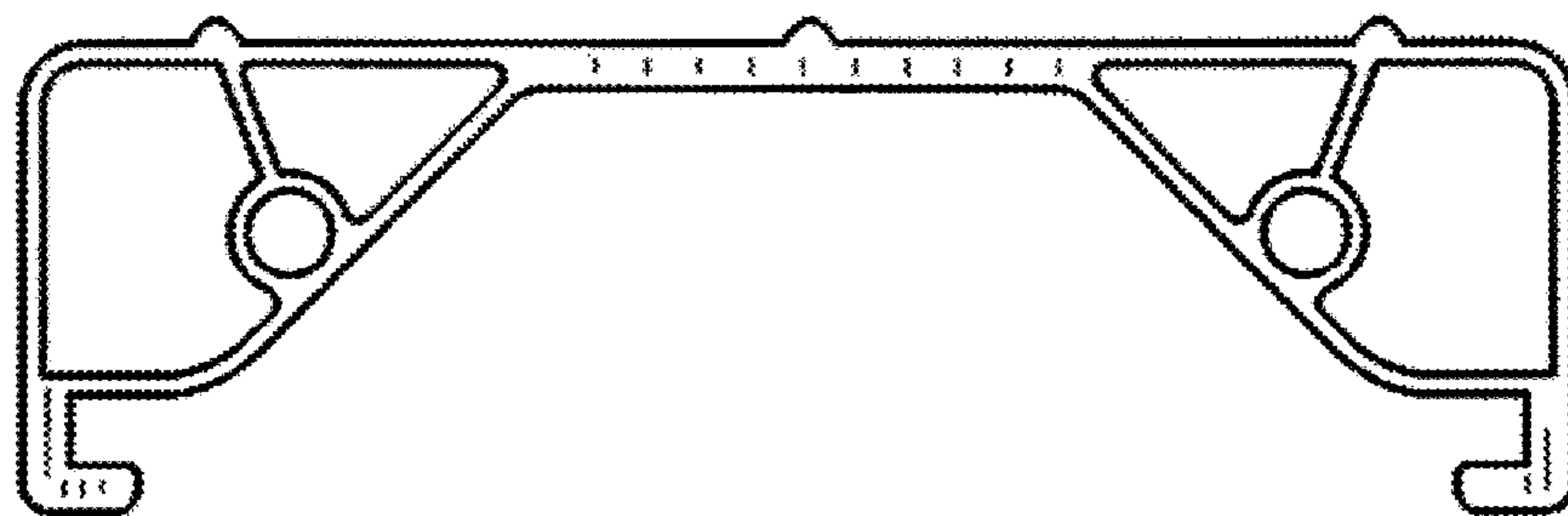


FIG. 6

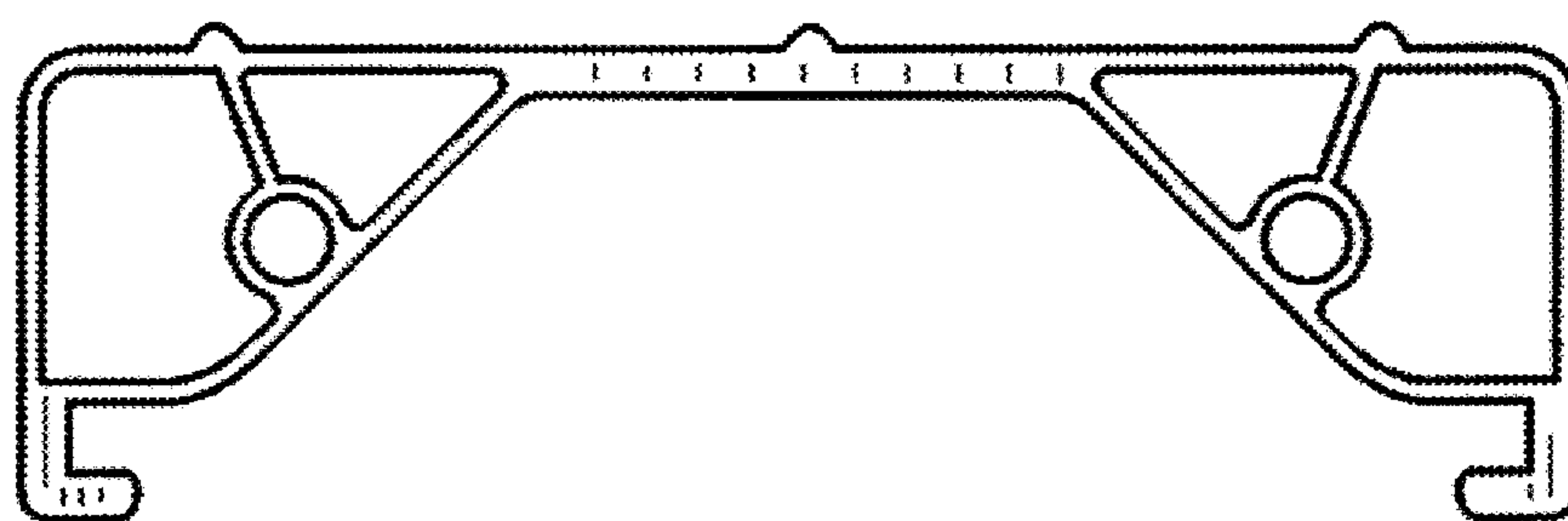


FIG. 7

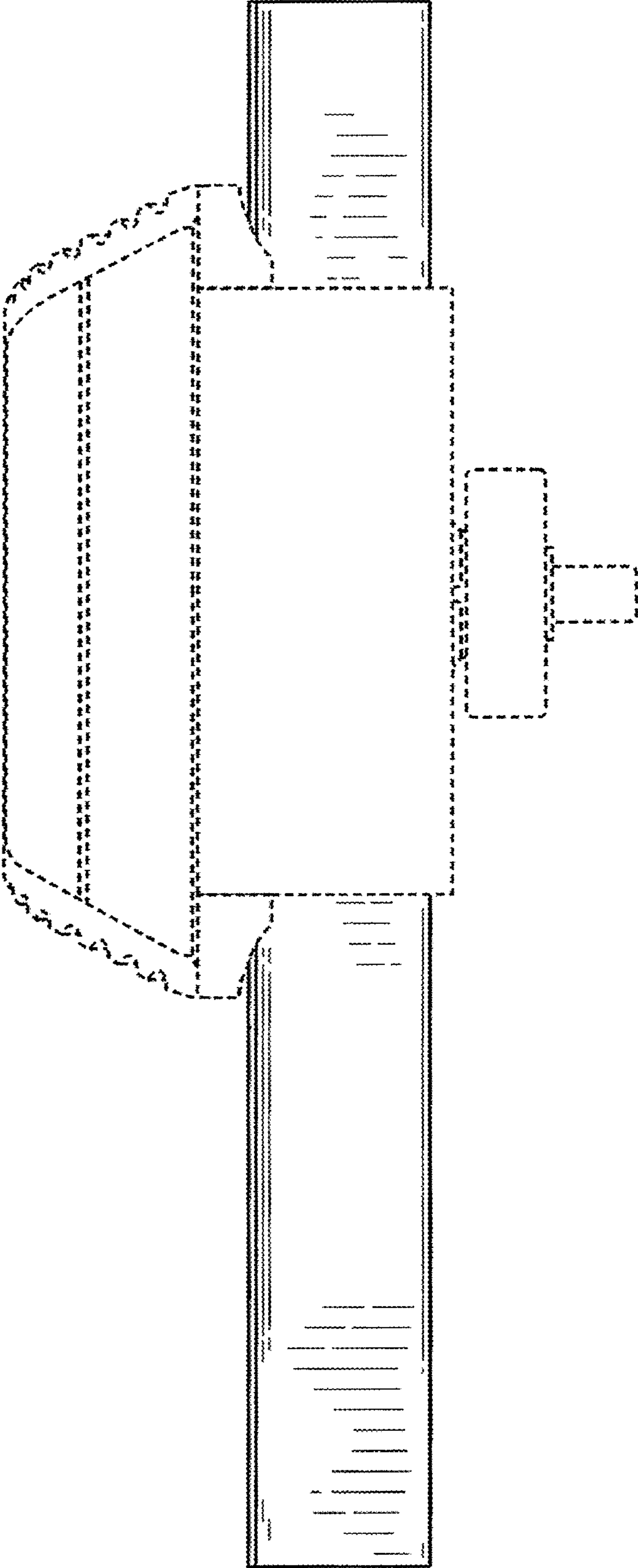


FIG. 8



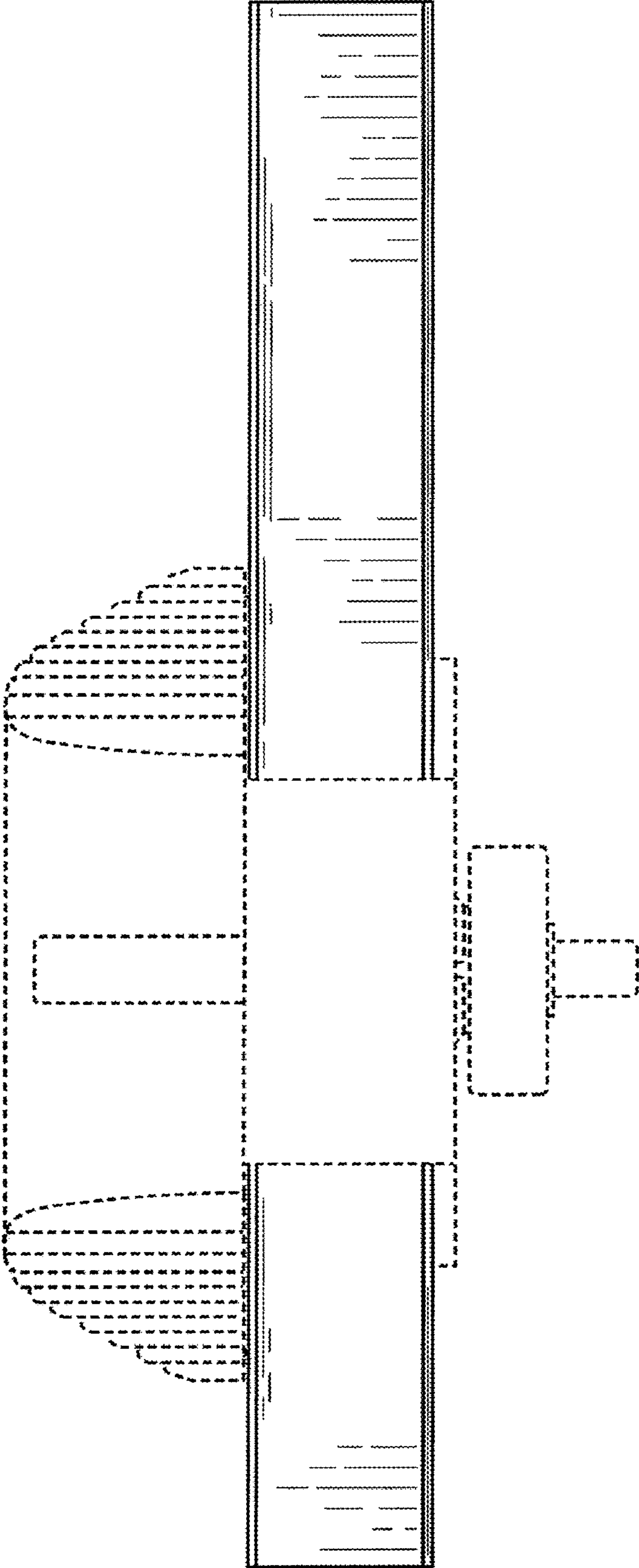


FIG. 9

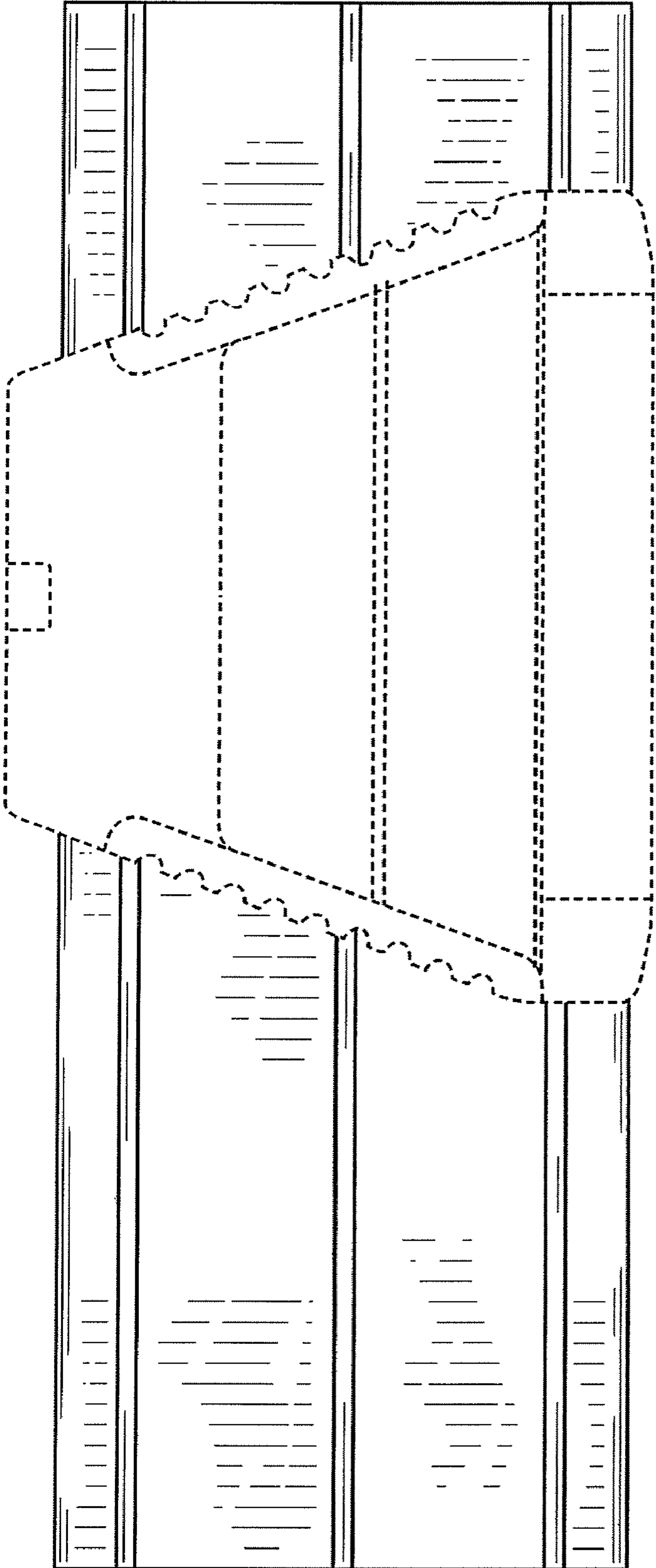


FIG. 10

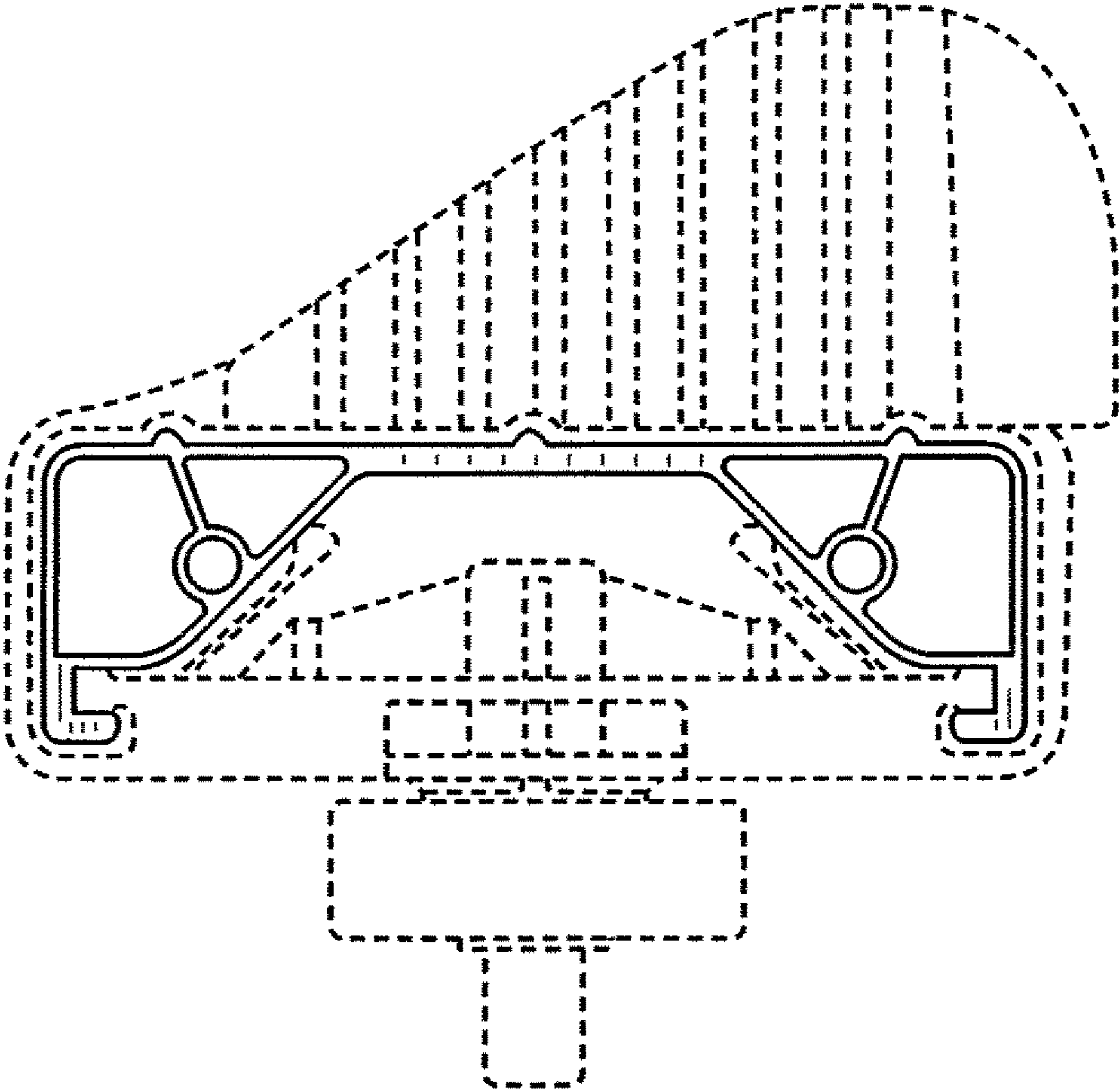


FIG. 11