



US00D660543S

(12) **United States Design Patent**
Richards

(10) **Patent No.:** **US D660,543 S**

(45) **Date of Patent:** **** May 22, 2012**

(54) **GARDEN CART TOP**

(75) Inventor: **Alex J Richards**, Boise, ID (US)

(73) Assignee: **Ken J. Pedersen**, Boise, ID (US)

(**) Term: **14 Years**

(21) Appl. No.: **29/396,259**

(22) Filed: **Jun. 28, 2011**

(51) **LOC (9) Cl.** **12-02**

(52) **U.S. Cl.** **D34/27**

(58) **Field of Classification Search** D34/12-27;
211/126.1, 88.01, 13, 16; 280/47.34, 47.35,
280/79.3, 47.18, 47.24, 47.26, 47.371, 47.38,
280/638

See application file for complete search history.

(56) **References Cited**

U.S. PATENT DOCUMENTS

D176,220	S	11/1955	Klingberg	
2,764,845	A	10/1956	Colombini	
4,099,735	A	7/1978	Becker	
4,570,961	A	2/1986	Chateaufeuf et al.	
4,595,107	A *	6/1986	Welsch	211/187
D304,115	S *	10/1989	Cohn	D34/27
4,934,718	A	6/1990	Voegele	
4,998,742	A	3/1991	Maynard	
D333,899	S	3/1993	Caceres	
5,356,197	A	10/1994	Simic	
D355,745	S	2/1995	Greene	
D356,200	S *	3/1995	Kern et al.	D34/27
6,053,515	A	4/2000	Kelley	

D470,291 S 2/2003 Panasewicz et al.
7,168,712 B2 1/2007 Celli
8,070,181 B2 * 12/2011 Forrest et al. 280/651

* cited by examiner

Primary Examiner — Cynthia Ramirez

(74) *Attorney, Agent, or Firm* — Pedersen and Company, PLLC; Ken J. Pedersen; Barbara S. Pedersen

(57) **CLAIM**

The ornamental design for a garden cart top, as shown and described.

DESCRIPTION

FIG. 1 is a front view of a garden cart top showing my new design.

FIG. 2 is a back view.

FIG. 3 is a top view.

FIG. 4 is a bottom view.

FIG. 5 is a right side view.

FIG. 6 is a left side view.

FIG. 7 is a top, perspective view of the instant top on a first exemplary style of garden cart.

FIG. 8 is a top, perspective view of the instant top on a second exemplary style of garden cart.

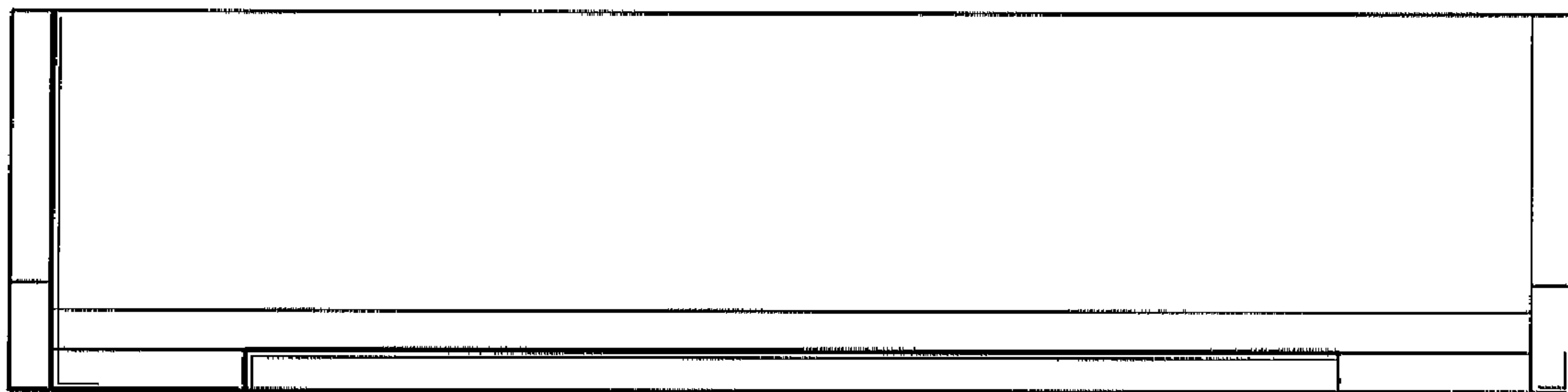
FIG. 9 is a top, perspective view of the instant top on a third exemplary style of garden cart.

FIG. 10 is a top, perspective view of the instant top on a fourth exemplary style of garden cart.

FIG. 11 is a top, perspective view of the instant top on a fifth exemplary style of garden cart; and,

FIG. 12 is a top, perspective view of the instant top on a sixth exemplary style of garden cart.

1 Claim, 10 Drawing Sheets



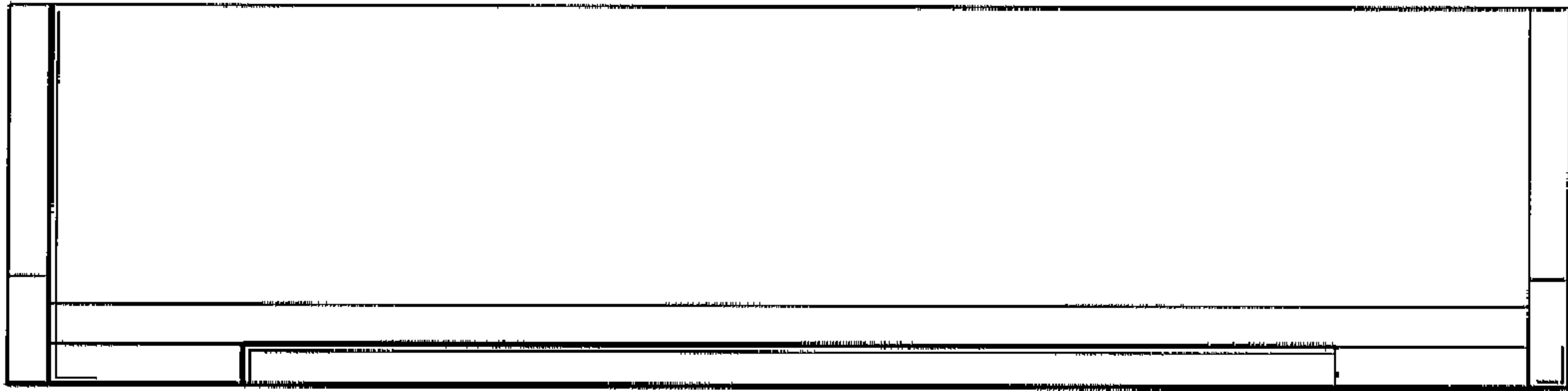


FIG. 1

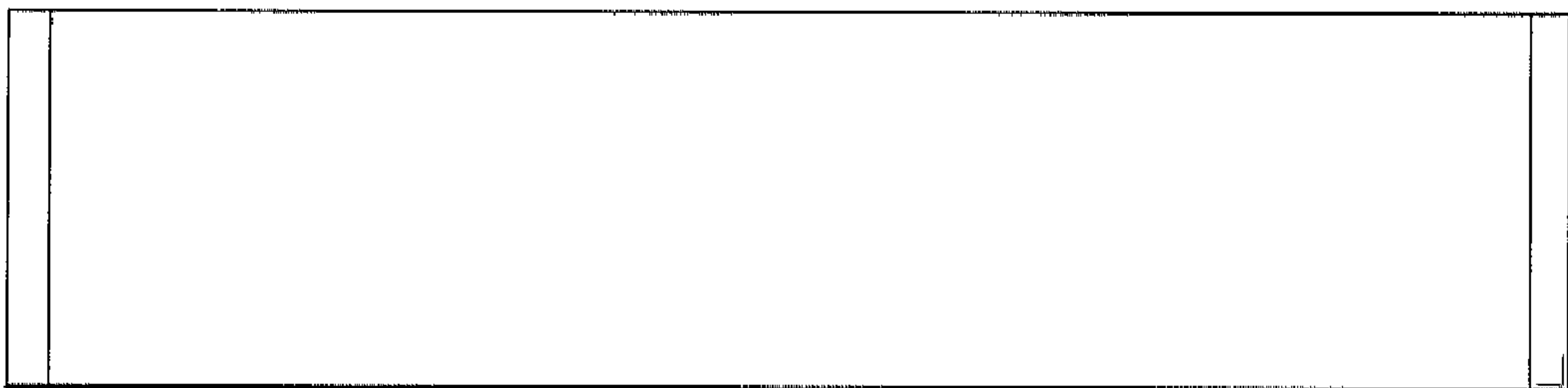


FIG. 2

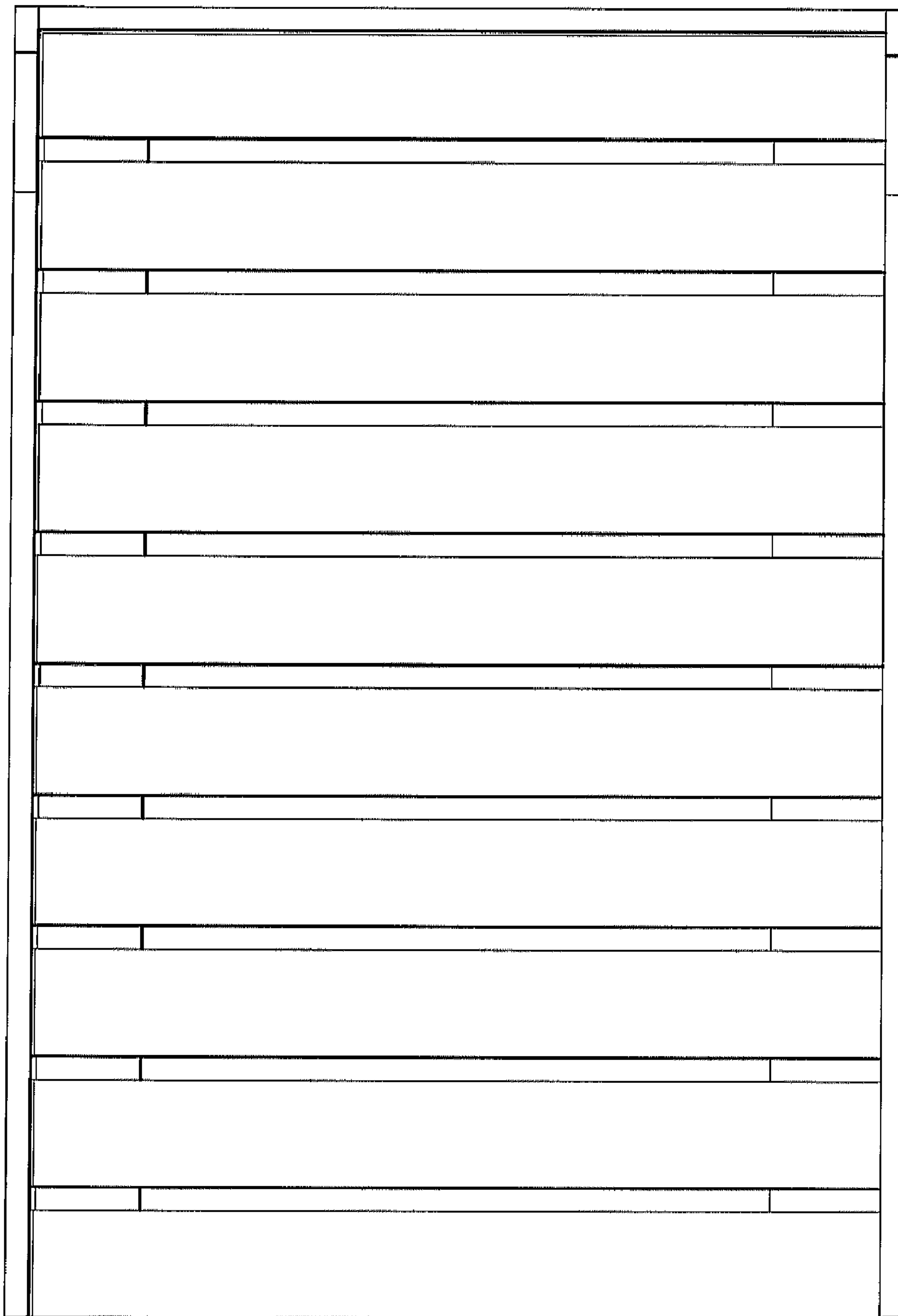


FIG.3

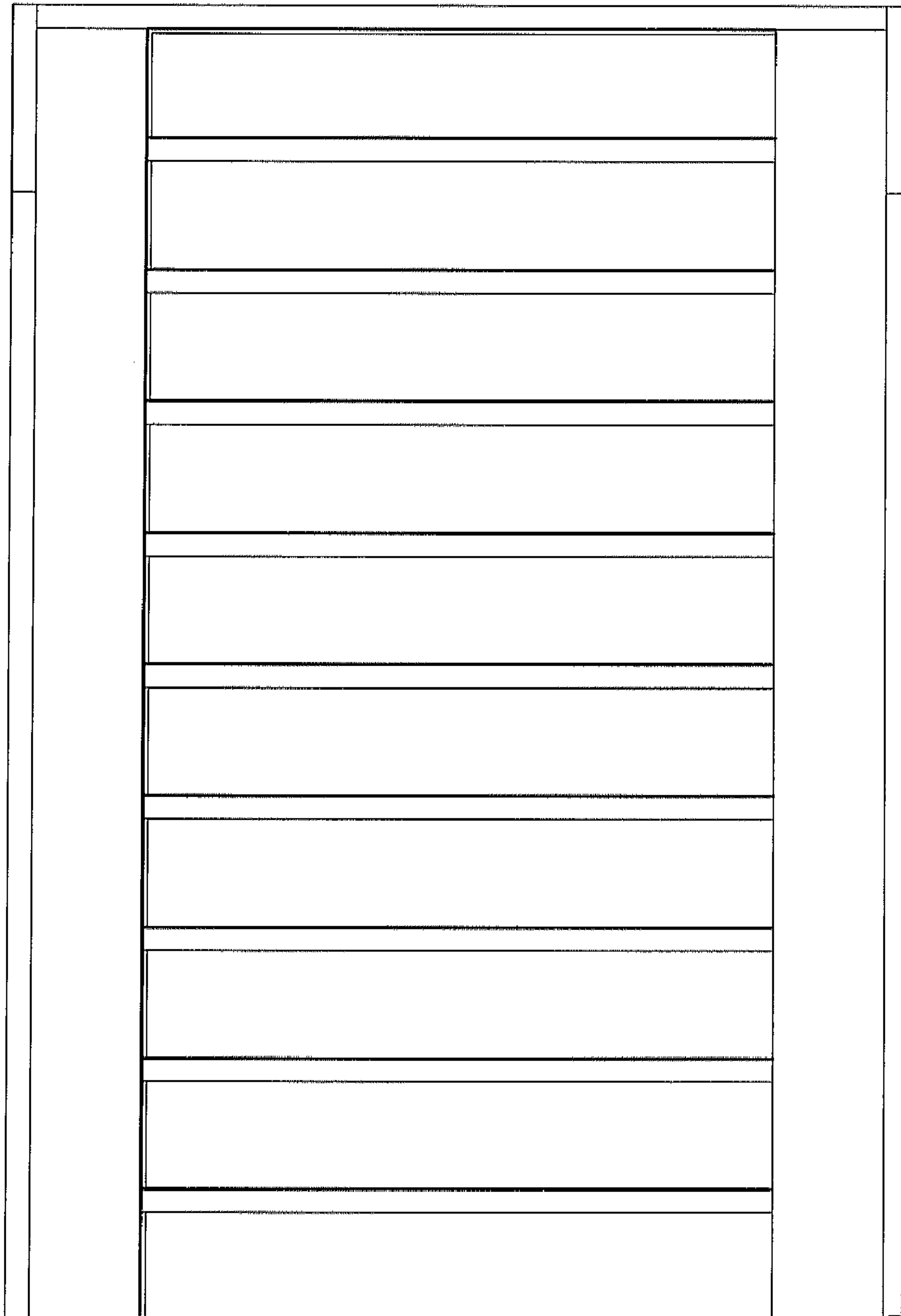


FIG.4

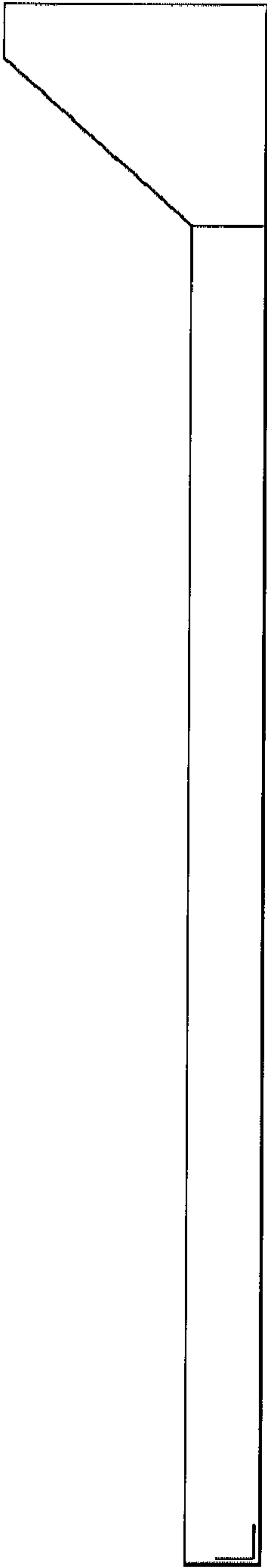


FIG. 5

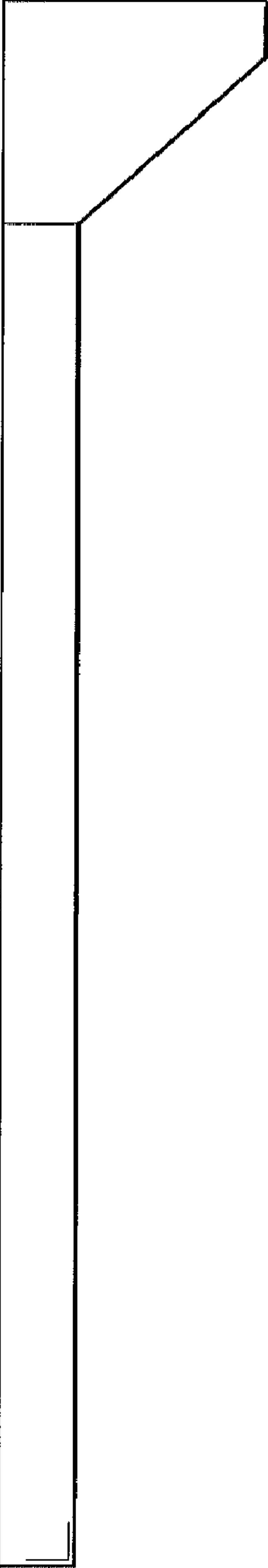


FIG. 6

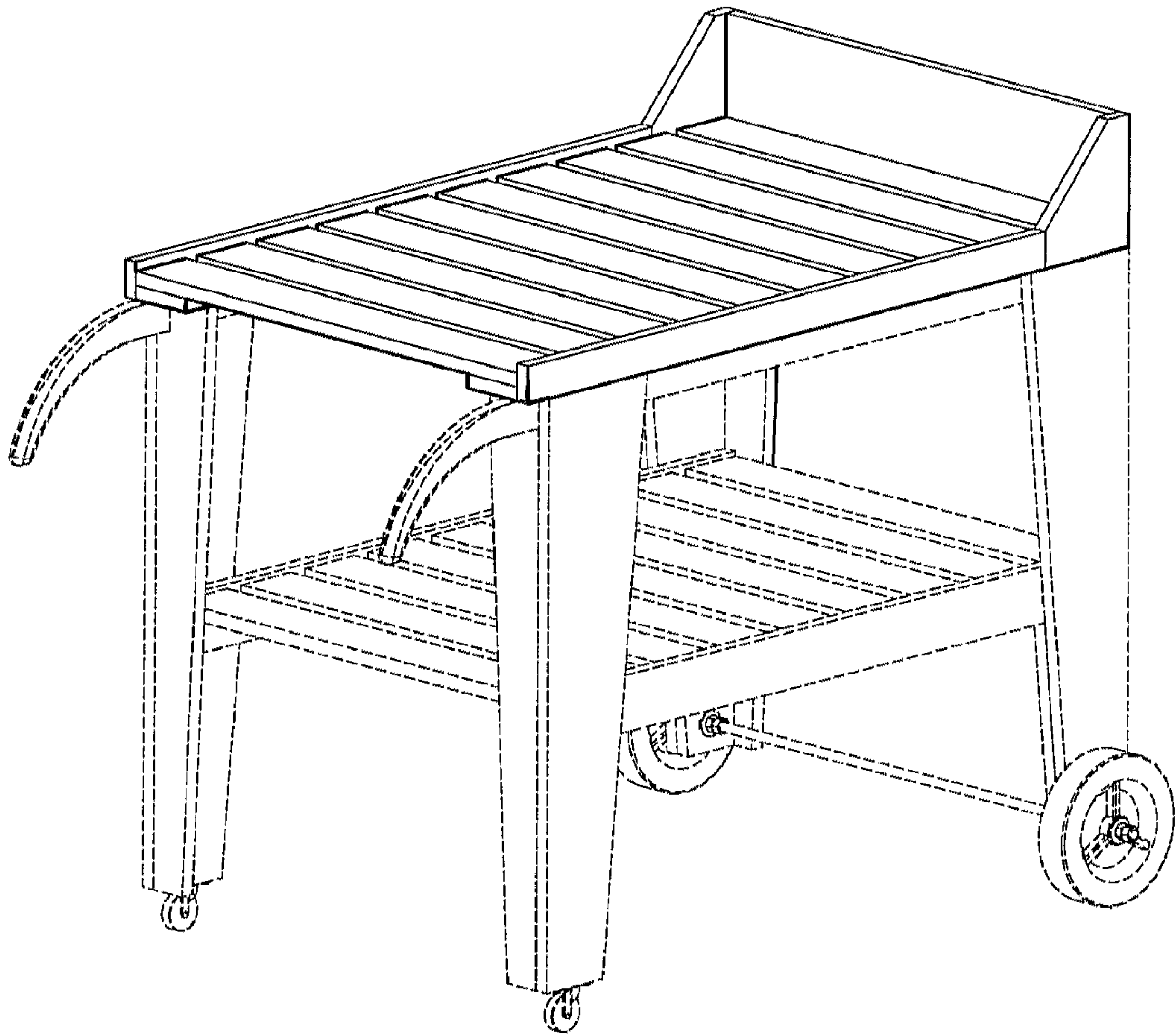


FIG. 7

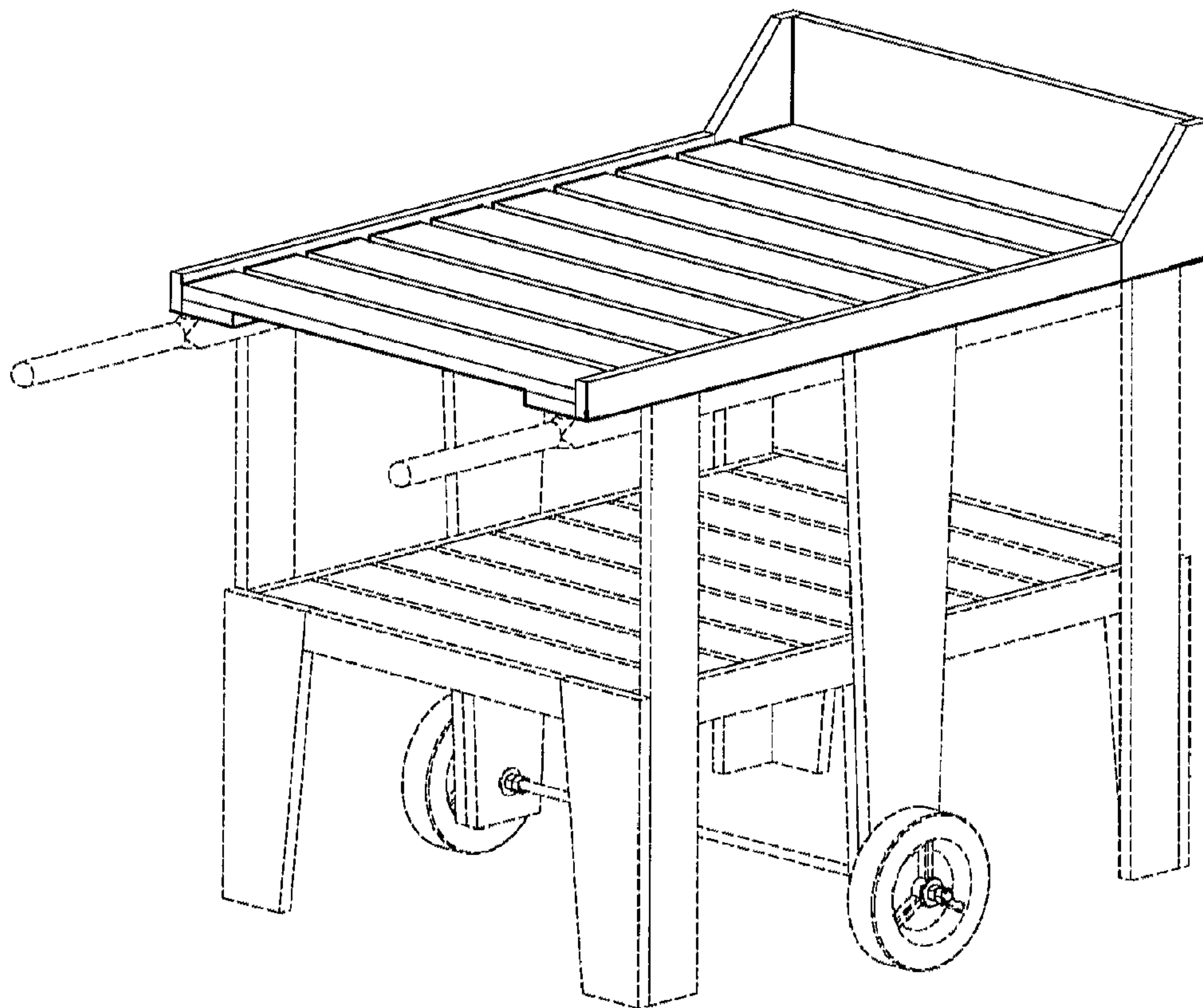


FIG.8

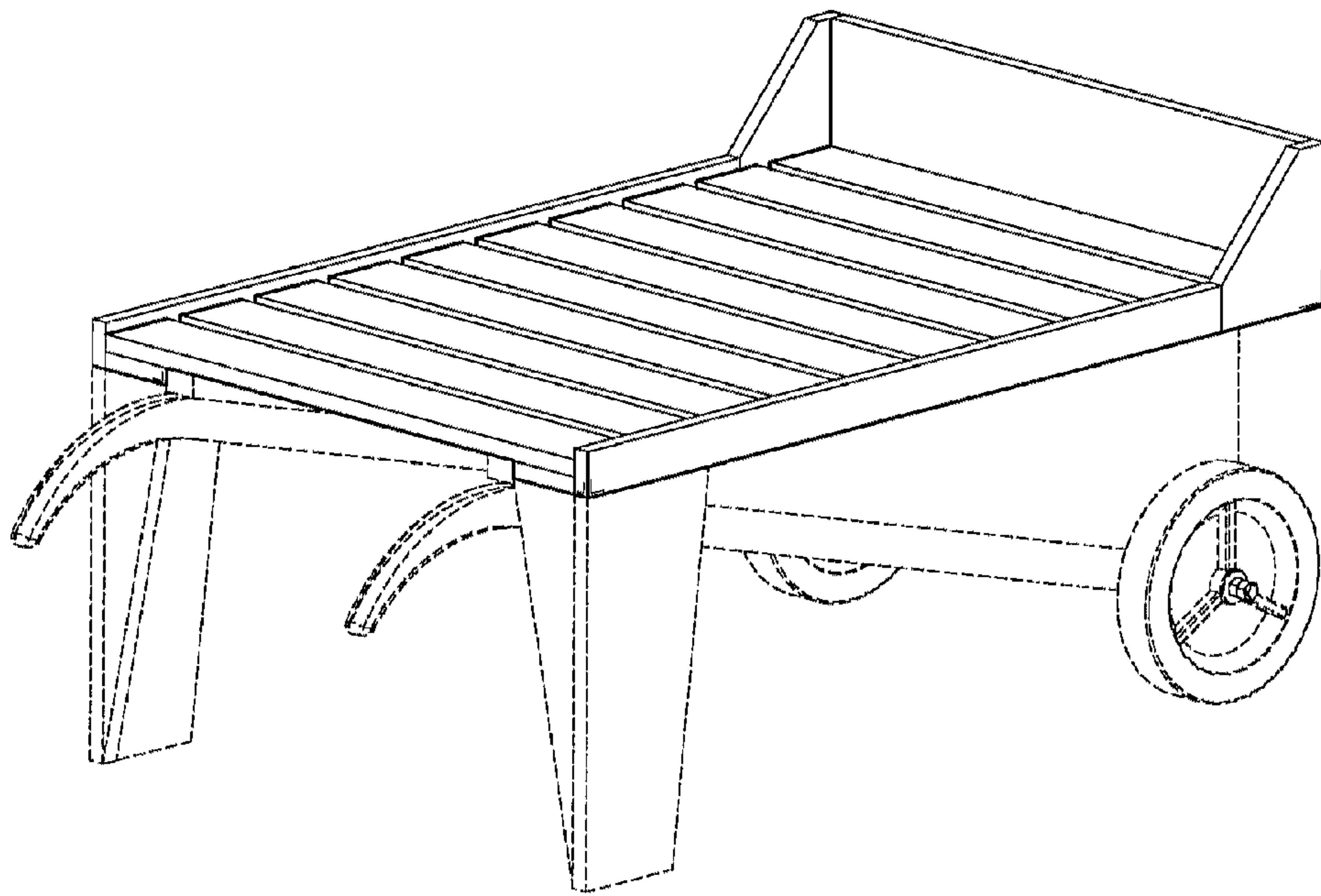


FIG.9

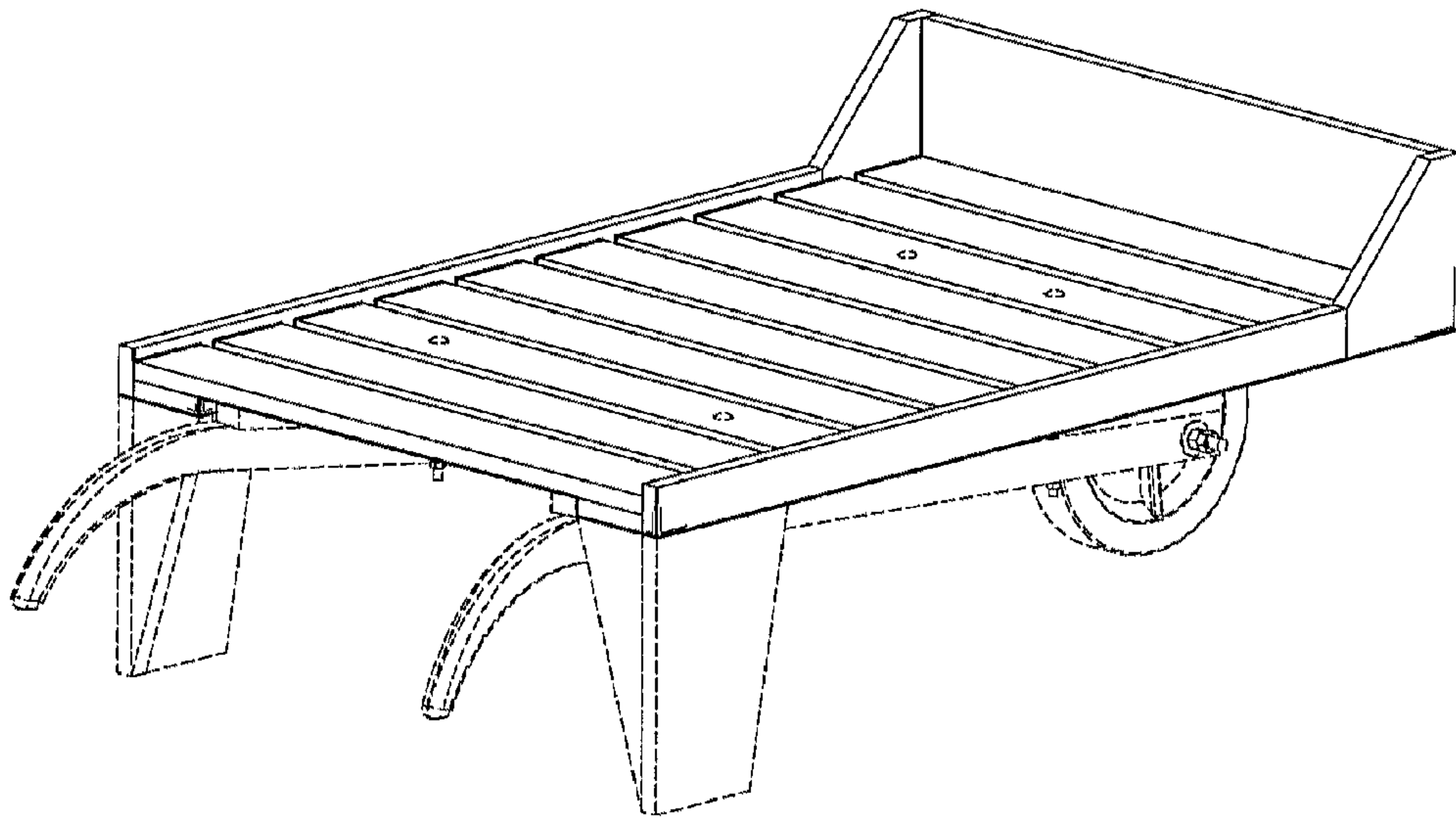


FIG.10

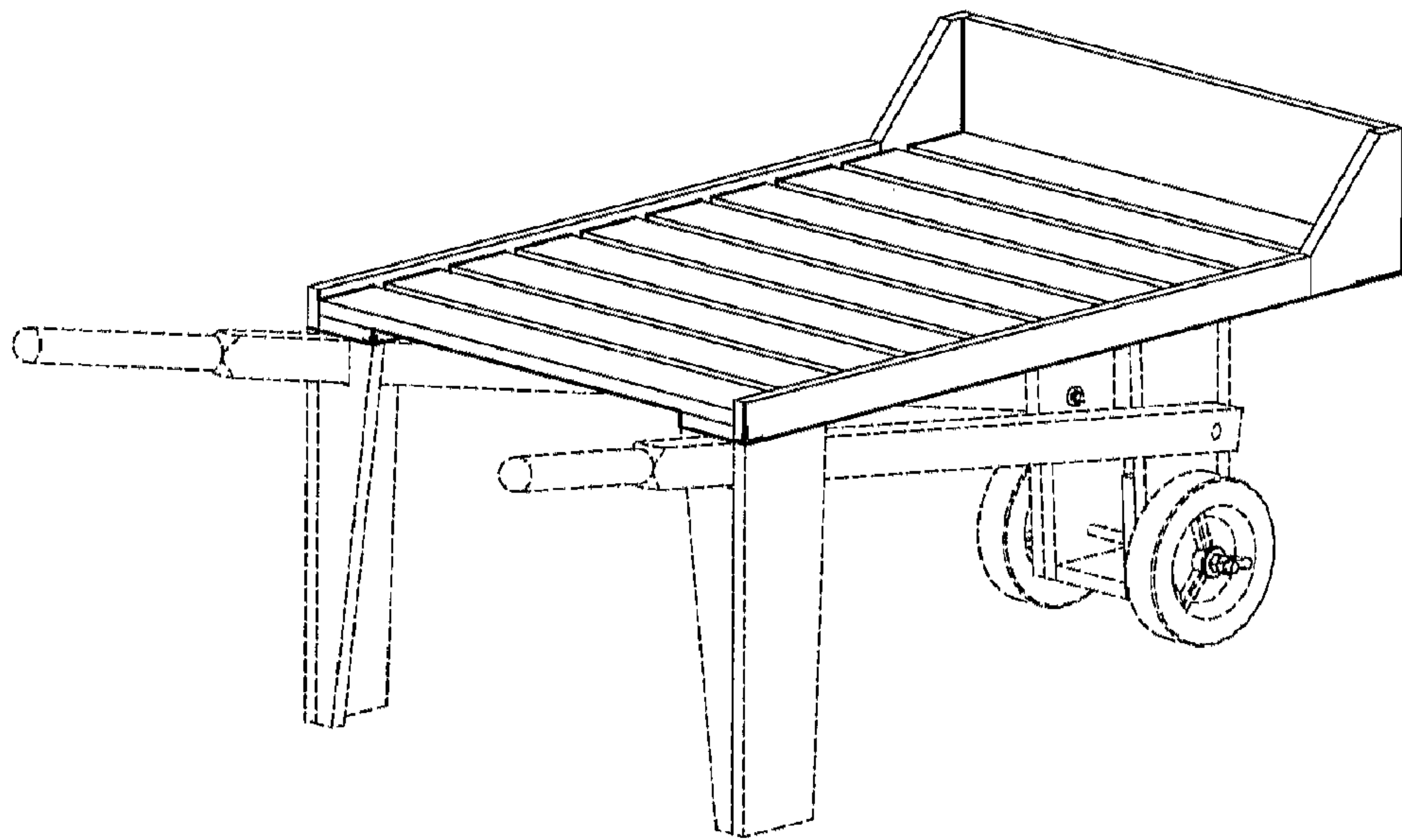


FIG.11

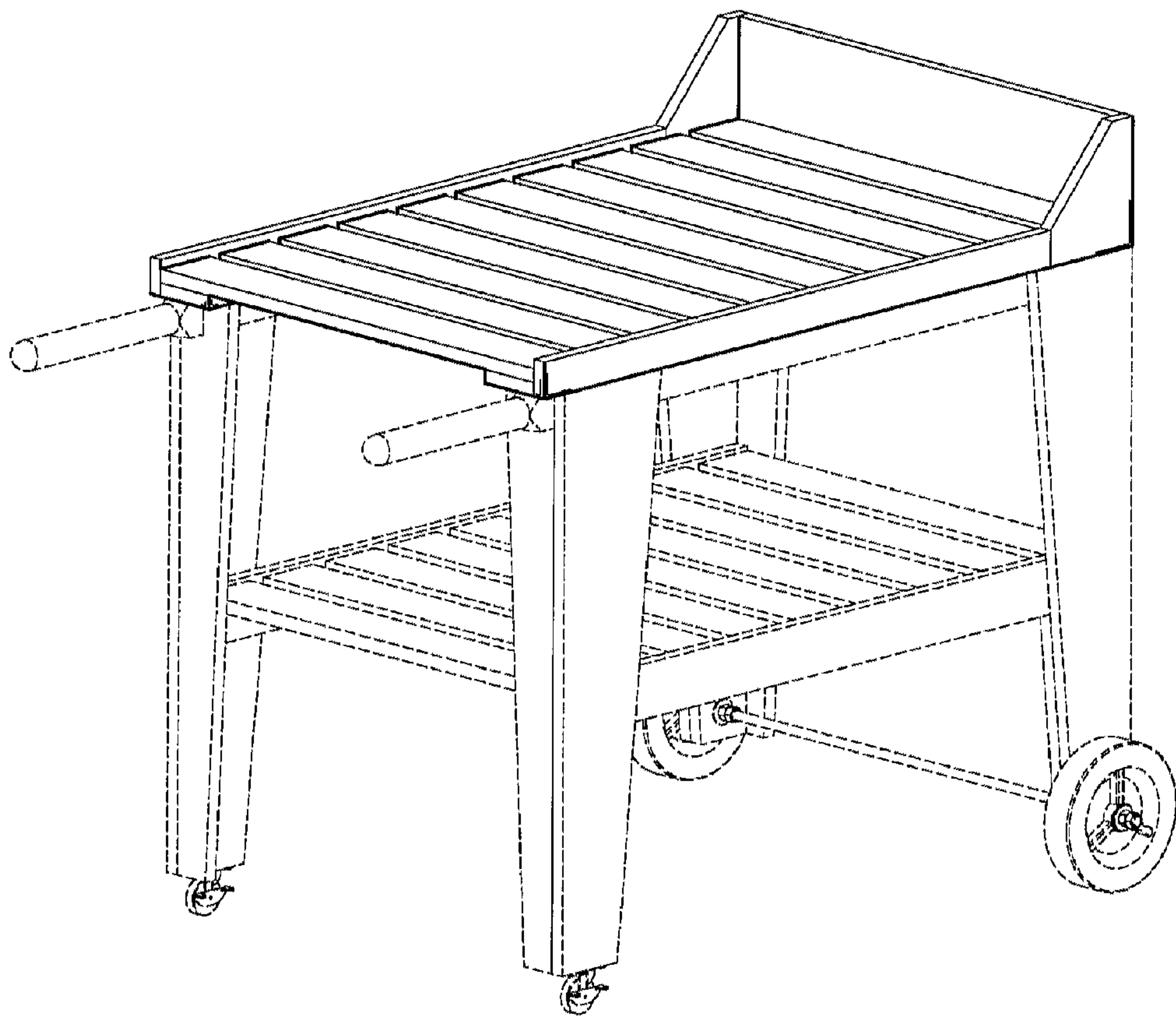


FIG.12