

US00D660540S

(12) **United States Design Patent**
Thompson et al.

(10) **Patent No.:** **US D660,540 S**

(45) **Date of Patent:** **** May 22, 2012**

(54) **DRYWALL CART**

(56) **References Cited**

(75) Inventors: **Keith J. Thompson**, White River Junction, VT (US); **James McMahon**, White River Junction, VT (US)

(73) Assignee: **Thompson/McMahon Industries LLC**, White River Junction, VT (US)

(**) Term: **14 Years**

(21) Appl. No.: **29/380,437**

(22) Filed: **Dec. 6, 2010**

U.S. PATENT DOCUMENTS

4,861,050	A *	8/1989	Bergeron	280/47.35
5,183,280	A *	2/1993	Gresch	280/79.5
5,390,944	A *	2/1995	Sherwin	280/47.35
6,729,631	B2 *	5/2004	Trine et al.	280/79.5
7,597,392	B1 *	10/2009	Gilmore	297/217.1
7,845,656	B2 *	12/2010	Thompson	280/79.5

* cited by examiner

Primary Examiner — Cynthia Ramirez

(74) *Attorney, Agent, or Firm* — Downs Rachlin Martin PLLC

(57) **CLAIM**

We claim the ornamental design for a drywall cart, as shown and described.

DESCRIPTION

FIG. 1 is a perspective view of a drywall cart showing our new design; FIG. 2 is an elevation view thereof; FIG. 3 is another elevation view taken from ninety degrees relative to FIG. 2; FIG. 4 is a top plan view thereof; and, FIG. 5 is a bottom plan view thereof. The broken lines in the figures are included for the purpose of illustrating portions of the cart and form no part of the claimed design.

Related U.S. Application Data

(63) Continuation-in-part of application No. 11/799,975, filed on May 3, 2007, now Pat. No. 7,845,656.

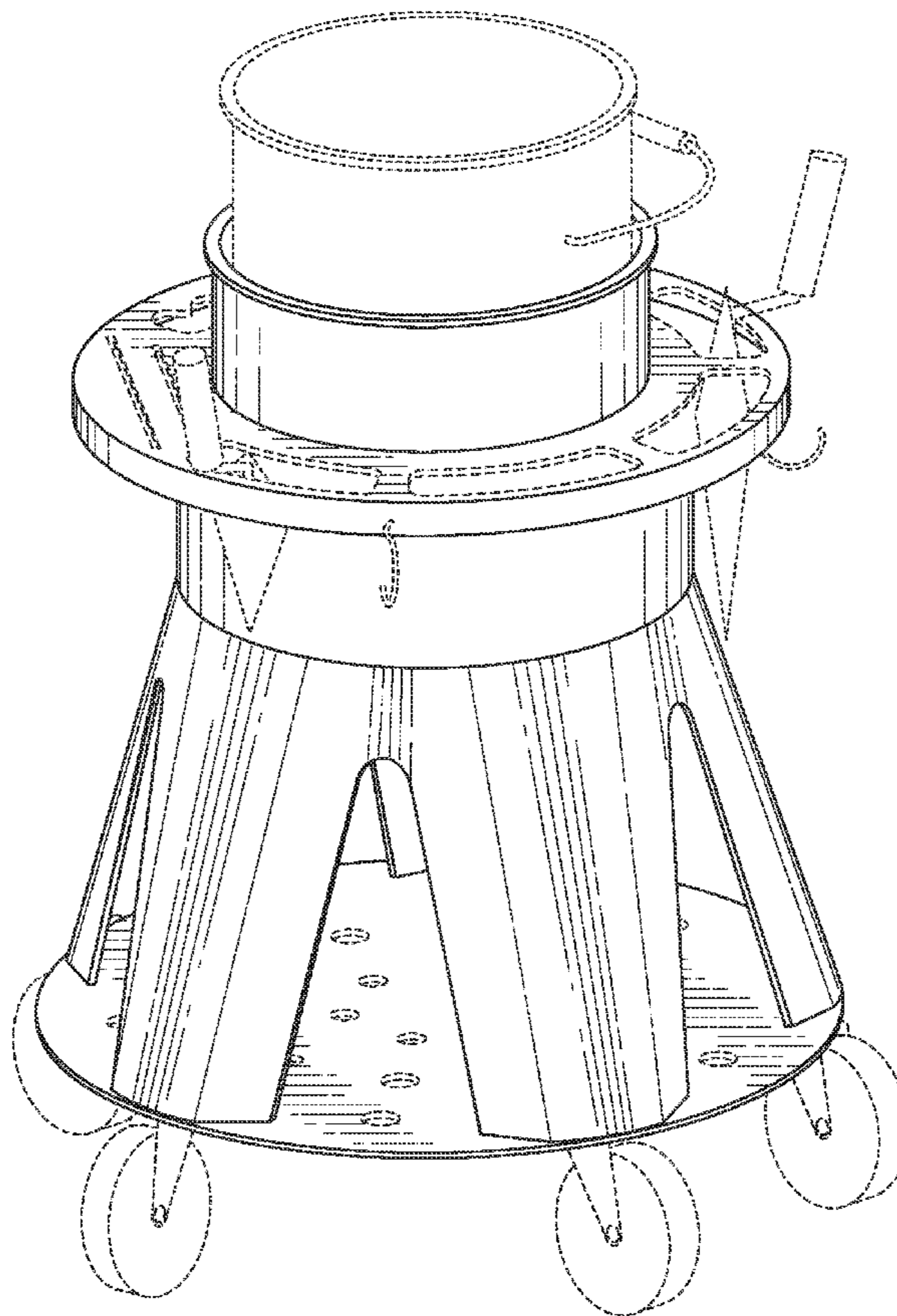
(51) **LOC (9) Cl.** **12-02**

(52) **U.S. Cl.** **D34/17**

(58) **Field of Classification Search** D34/12-27;
280/79.5, 47.35, 33.991, 33.998, 651, 47.34,
280/79.11, 79.7

See application file for complete search history.

1 Claim, 5 Drawing Sheets



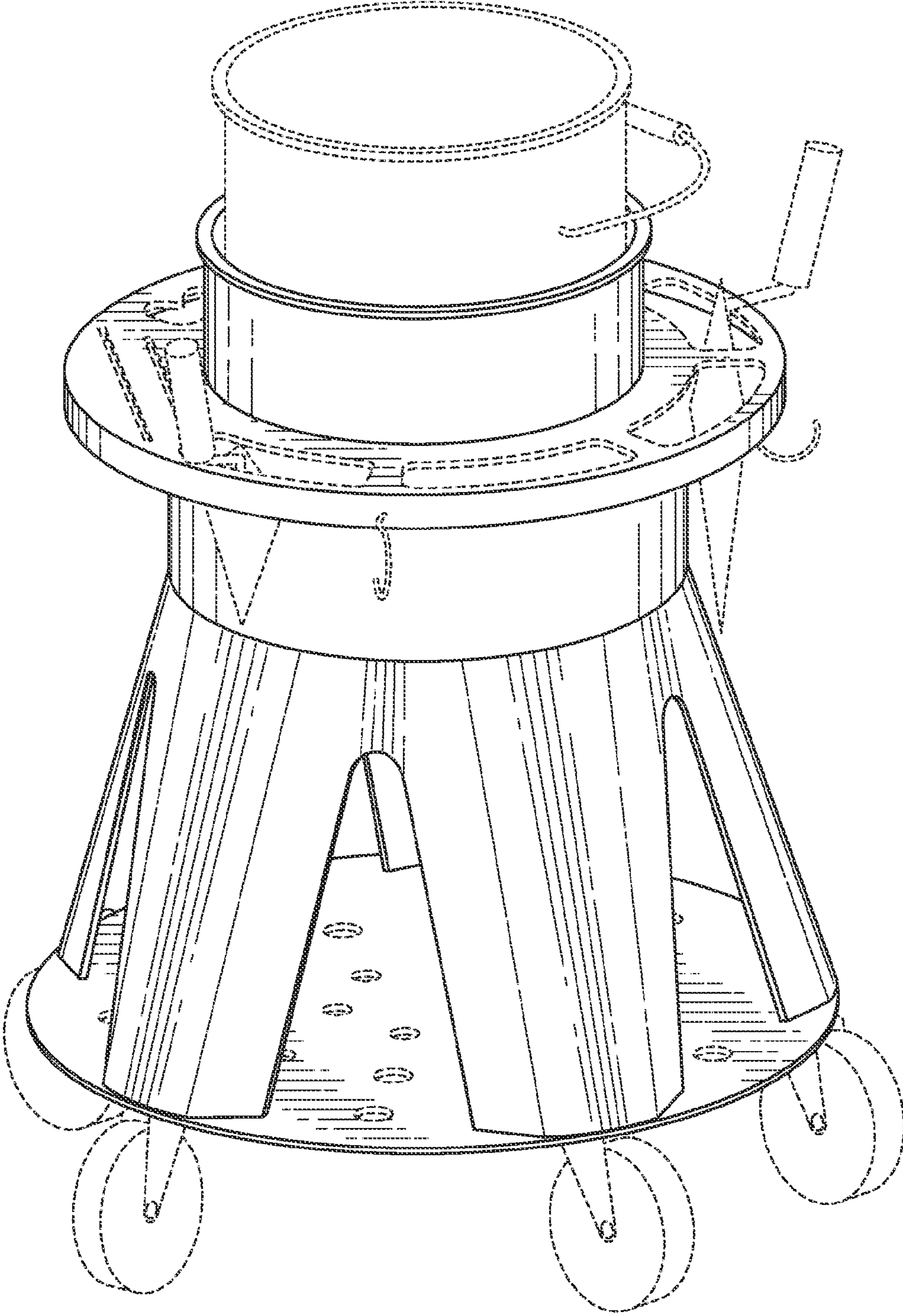


FIG. 1

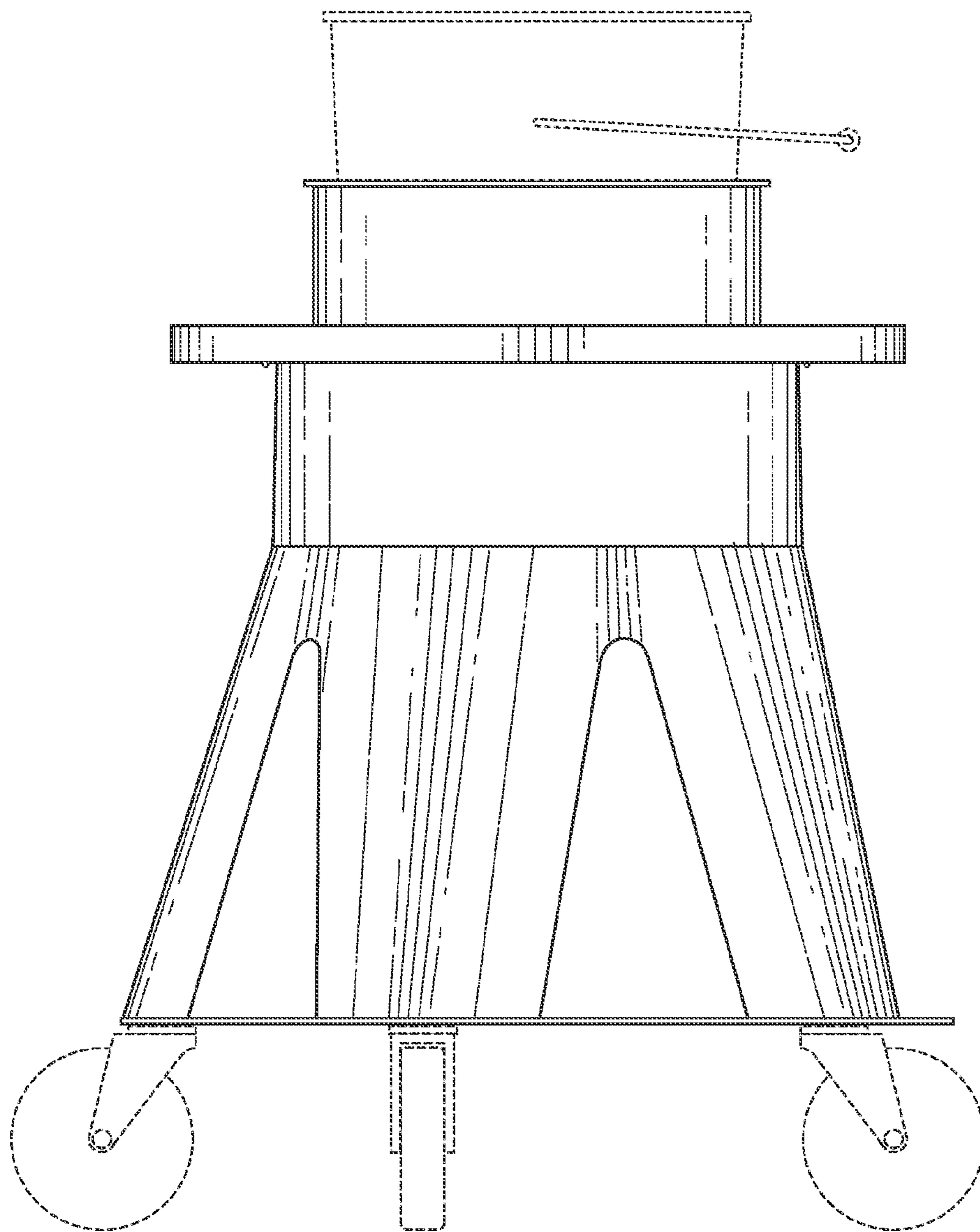


FIG. 2

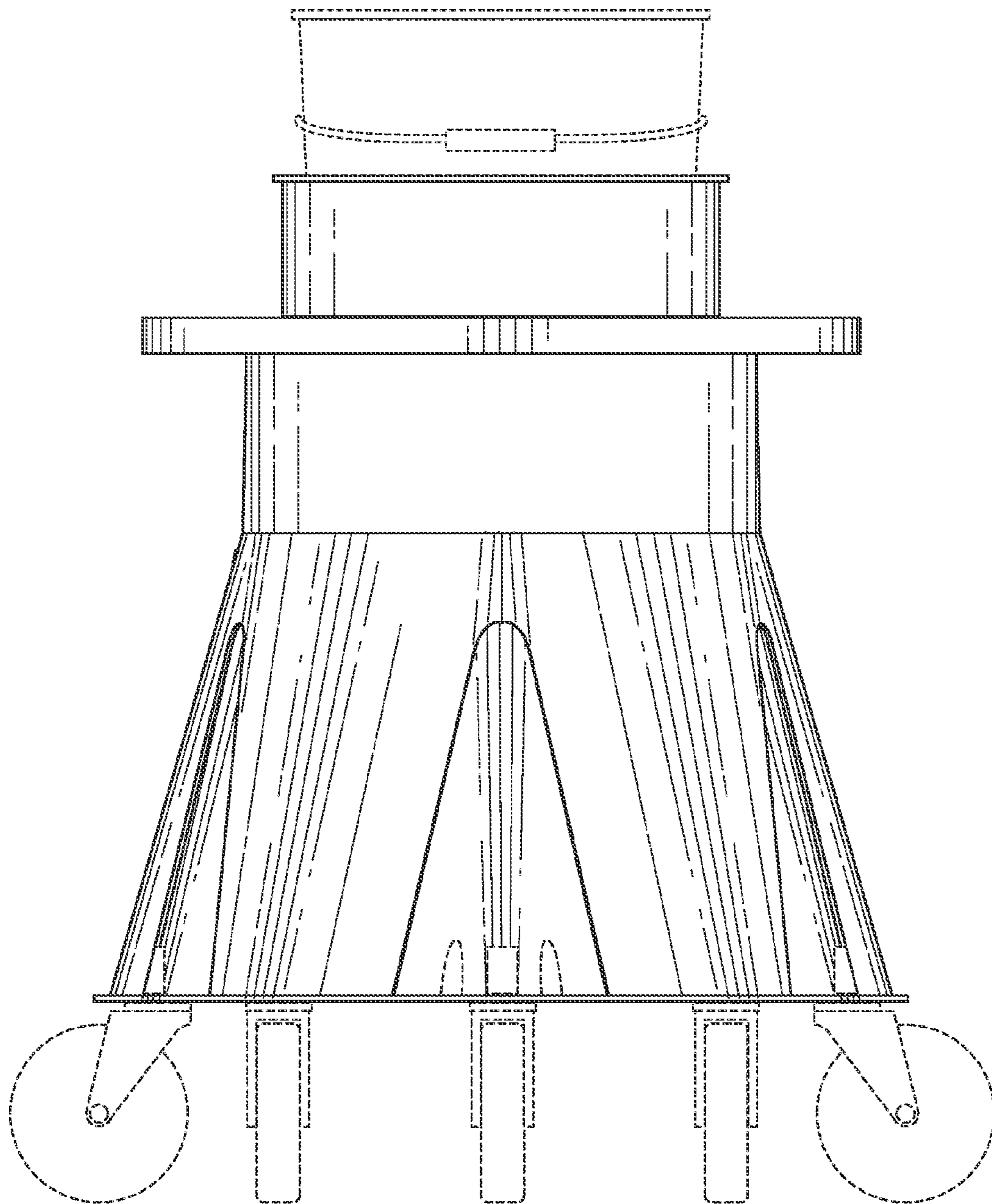


FIG. 3

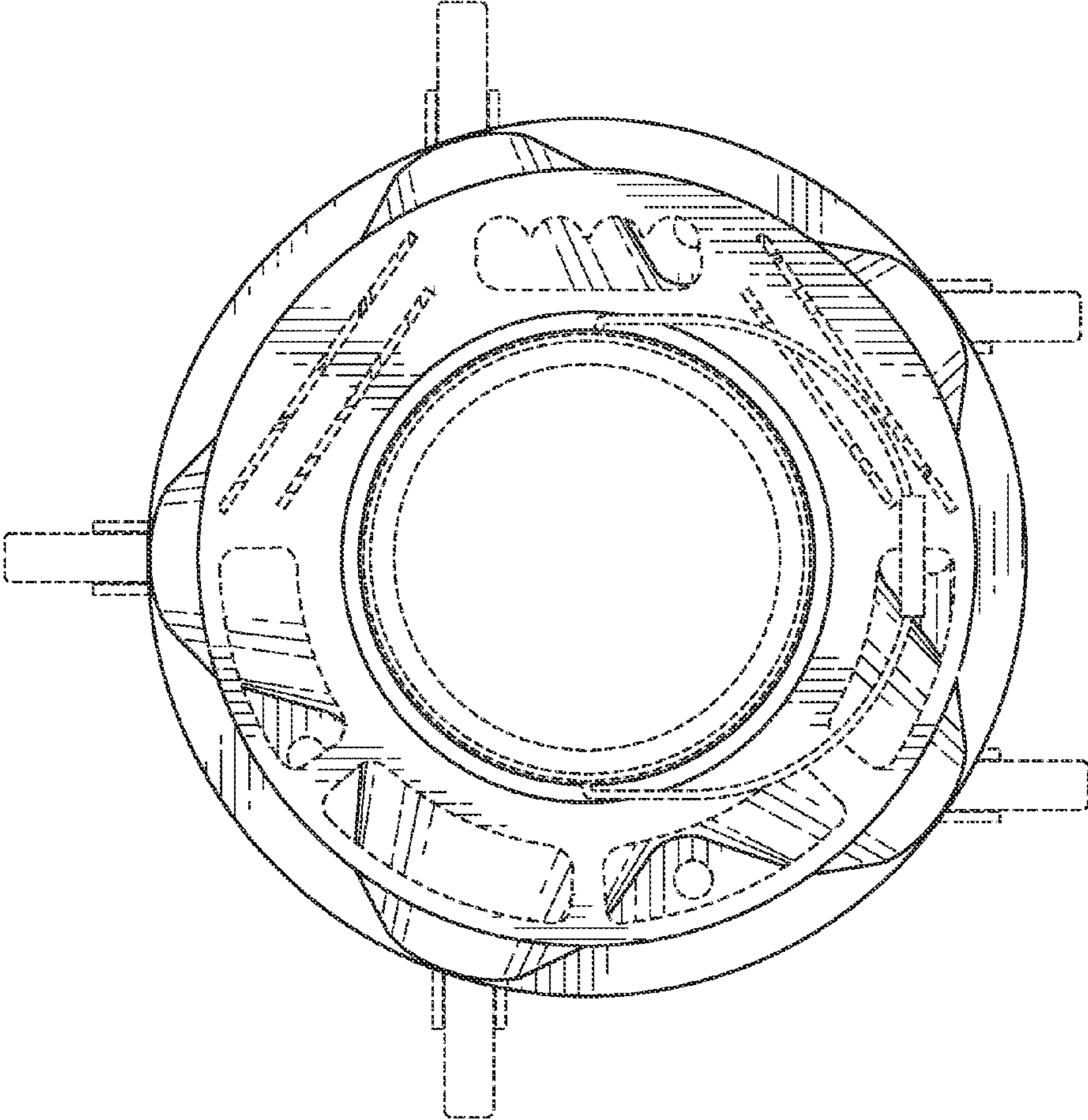


FIG. 4

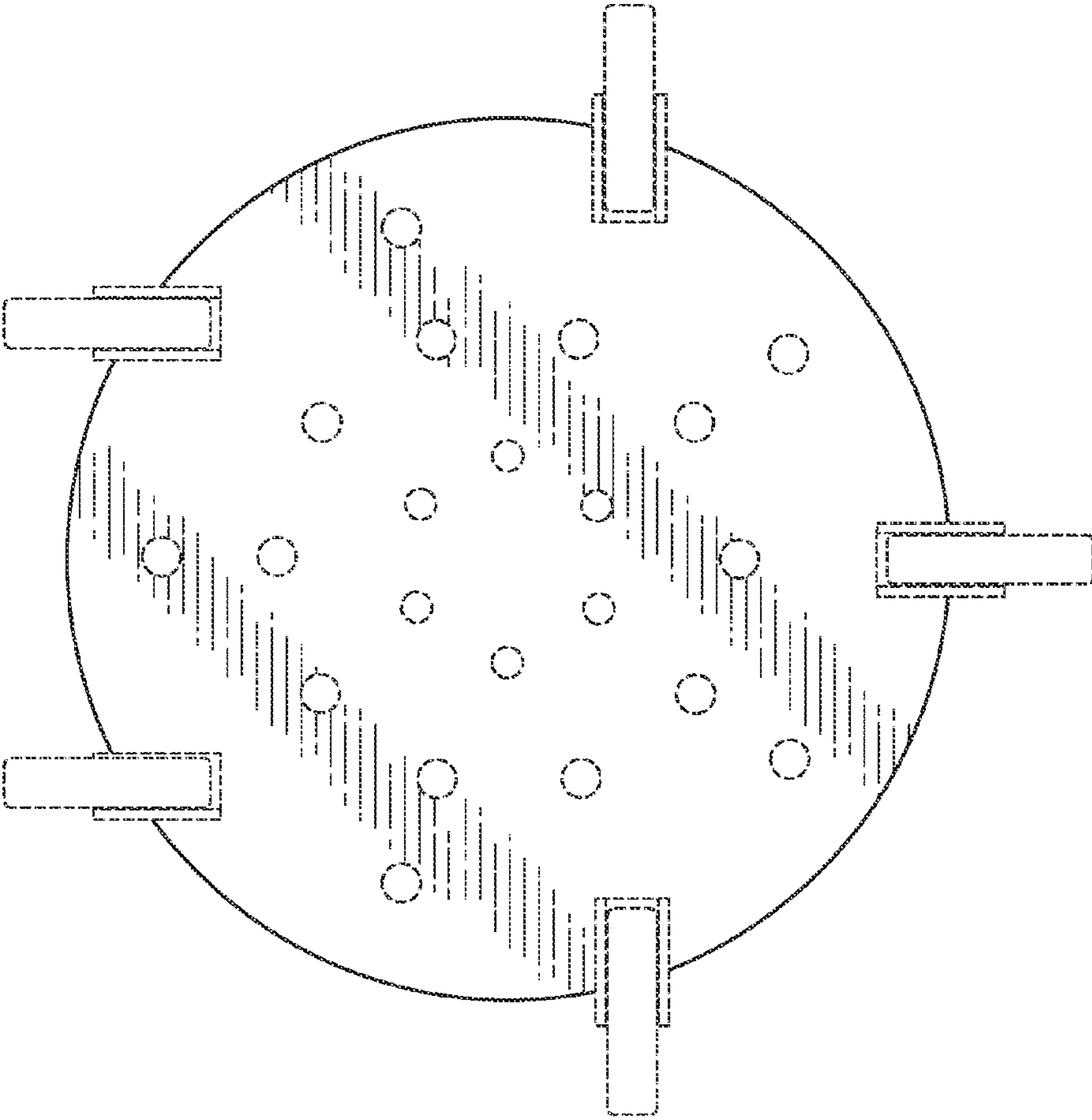


FIG. 5