

US00D660538S

(12) **United States Design Patent**
Smith

(10) **Patent No.:** **US D660,538 S**

(45) **Date of Patent:** **** May 22, 2012**

(54) **STEAM GENERATOR FOR IRON**

(75) Inventor: **Peter Smith**, Amsterdam (NL)

(73) Assignee: **Koninklijke Philips Electronics N.V.**,
Eindhoven (NL)

(**) Term: **14 Years**

(21) Appl. No.: **29/398,672**

(22) Filed: **Aug. 3, 2011**

(30) **Foreign Application Priority Data**

Feb. 3, 2011 (EM) 001816042-0003

(51) **LOC (9) Cl.** **07-05**

(52) **U.S. Cl.** **D32/71**

(58) **Field of Classification Search** D32/70,
D32/71, 73, 72, 69, 68, 35; 392/404; 38/97,
38/96, 93, 88, 77.9, 77.83, 77.82, 77.81,
38/77.8, 77.7, 77.6, 77.5, 77.3, 77.1; 219/251,
219/245, 257

See application file for complete search history.

(56) **References Cited**

U.S. PATENT DOCUMENTS

D316,768 S *	5/1991	Komar	D32/73
D439,023 S *	3/2001	Powell	D32/73
D463,641 S *	9/2002	Powell	D32/71
D470,637 S *	2/2003	Berthier	D32/73
D548,418 S *	8/2007	Cahen	D32/70
D570,570 S *	6/2008	Renault	D32/73
D617,518 S *	6/2010	Choi	D32/73

* cited by examiner

Primary Examiner — Austin Murphy

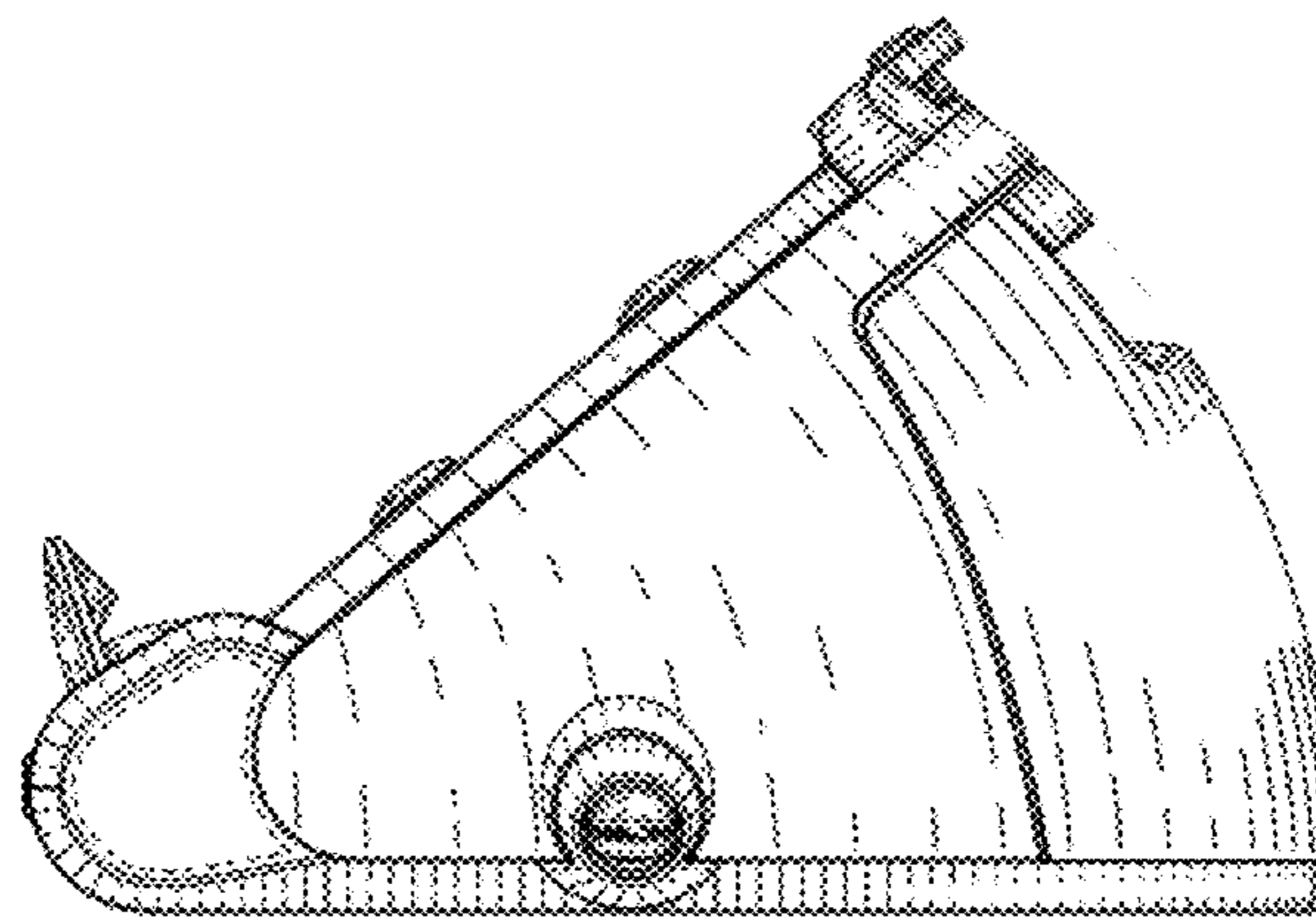
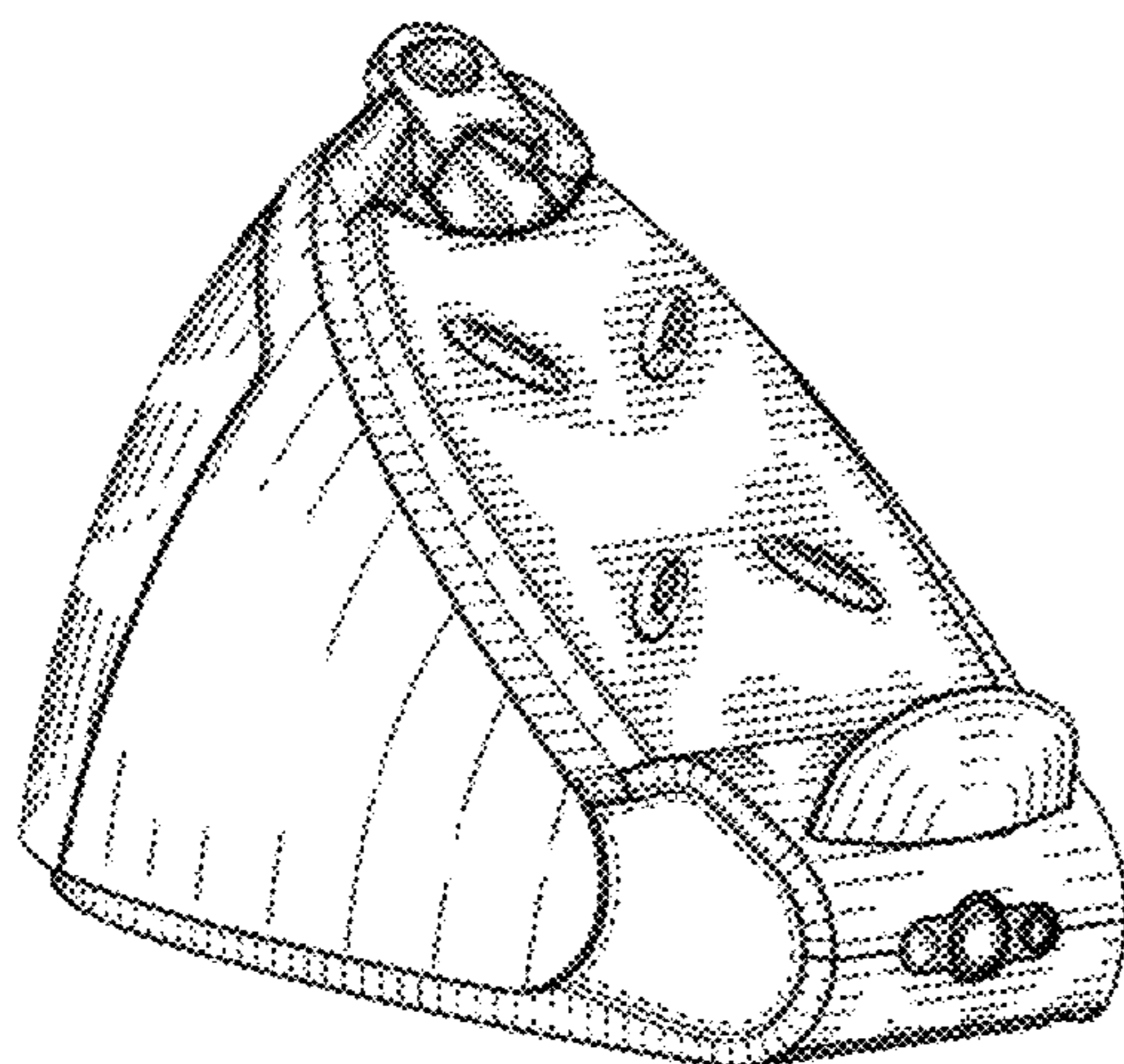
(57) **CLAIM**

The ornamental design for a steam generator for iron, as shown and described.

DESCRIPTION

FIG. 1 is a perspective view showing my design; FIG. 2 is a front elevational view thereof; FIG. 3 is a rear elevational view thereof; FIG. 4 is a right side elevational view thereof; FIG. 5 is a left side elevational view thereof; FIG. 6 is a top plan view thereof; and, FIG. 7 is a bottom plan view thereof. The broken lines shown in the drawings represent portions of the steam generator for iron that form no part of the claimed design.

1 Claim, 4 Drawing Sheets



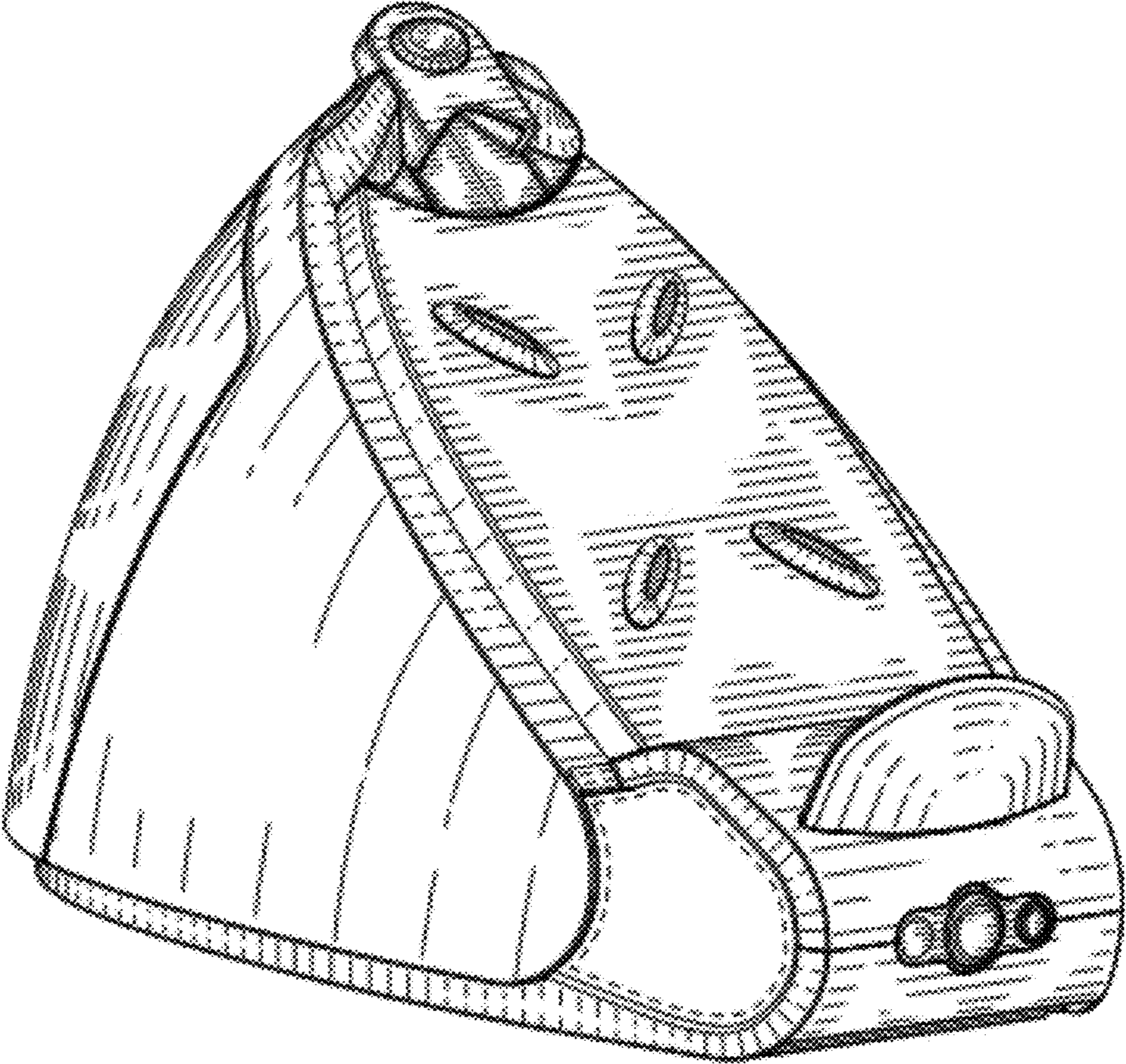


FIG. 1

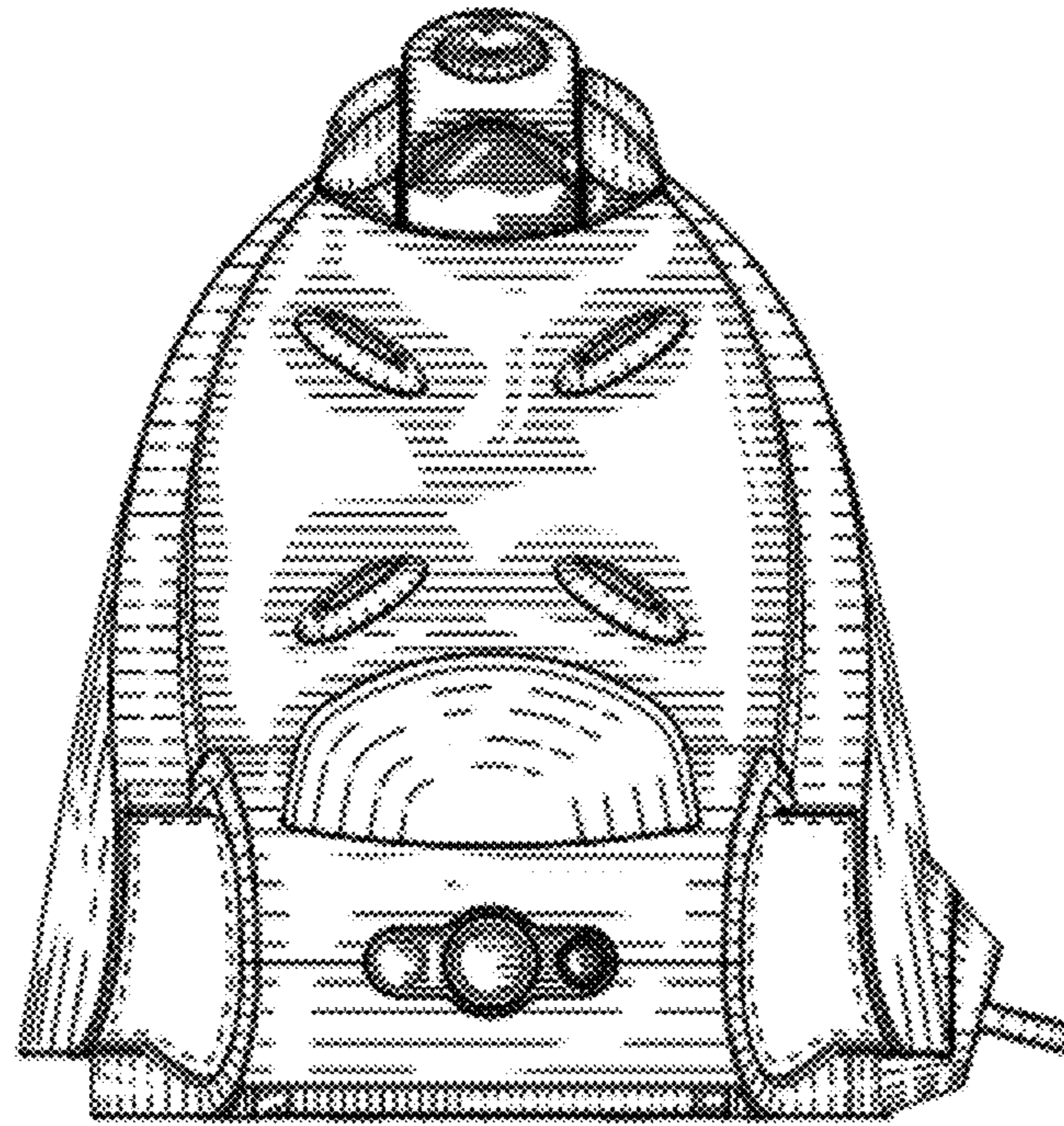


FIG. 2

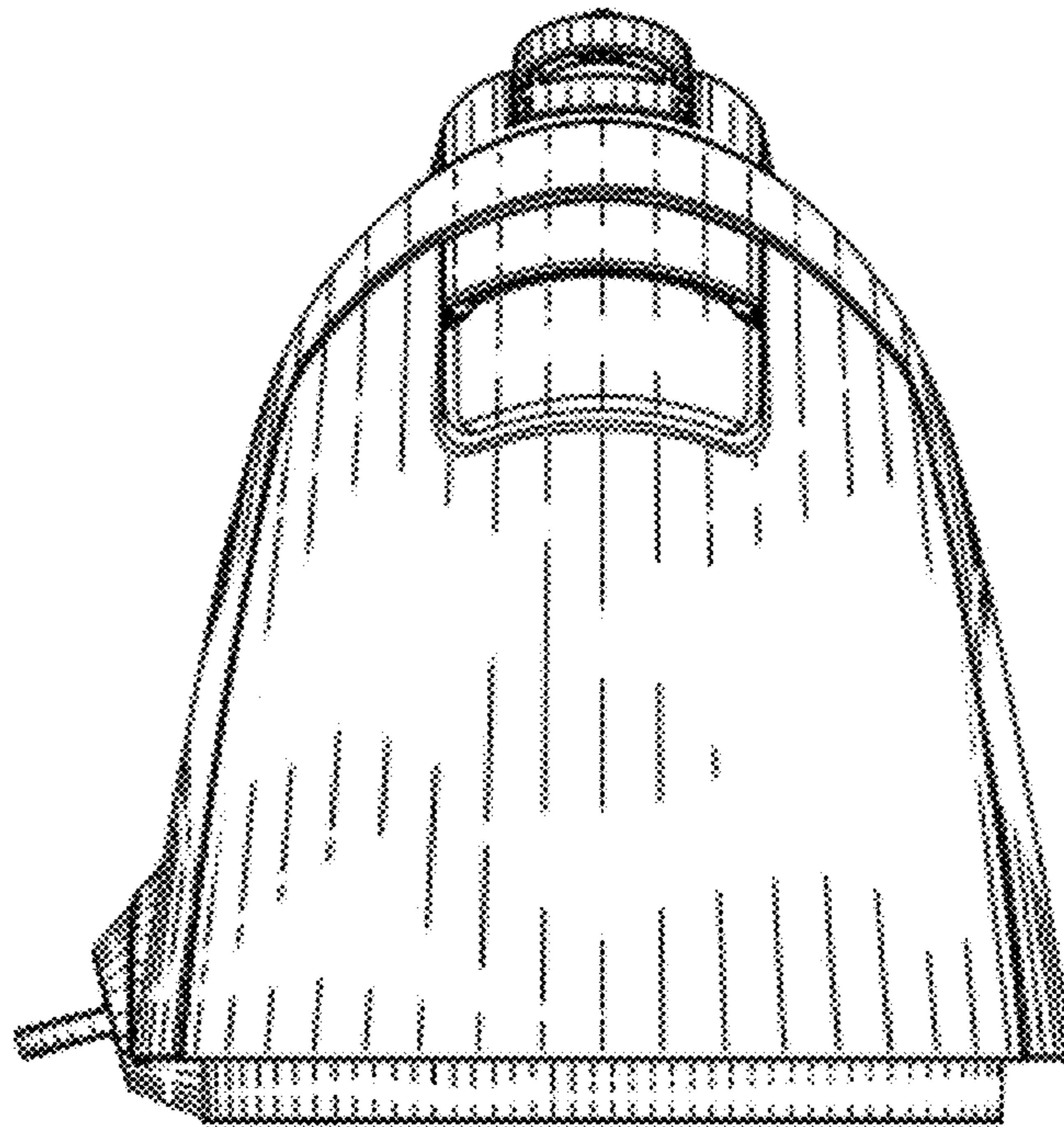


FIG. 3

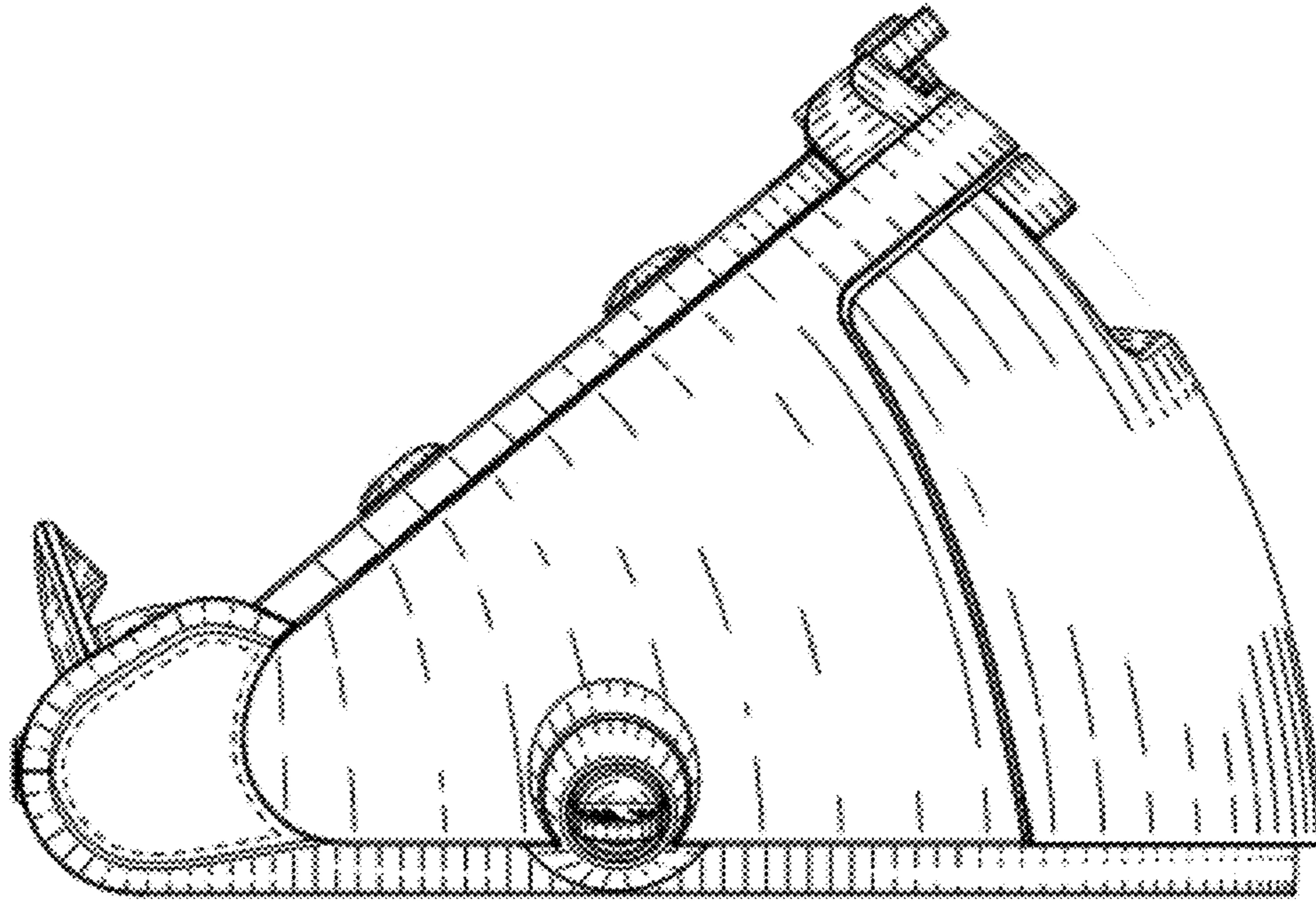


FIG. 4

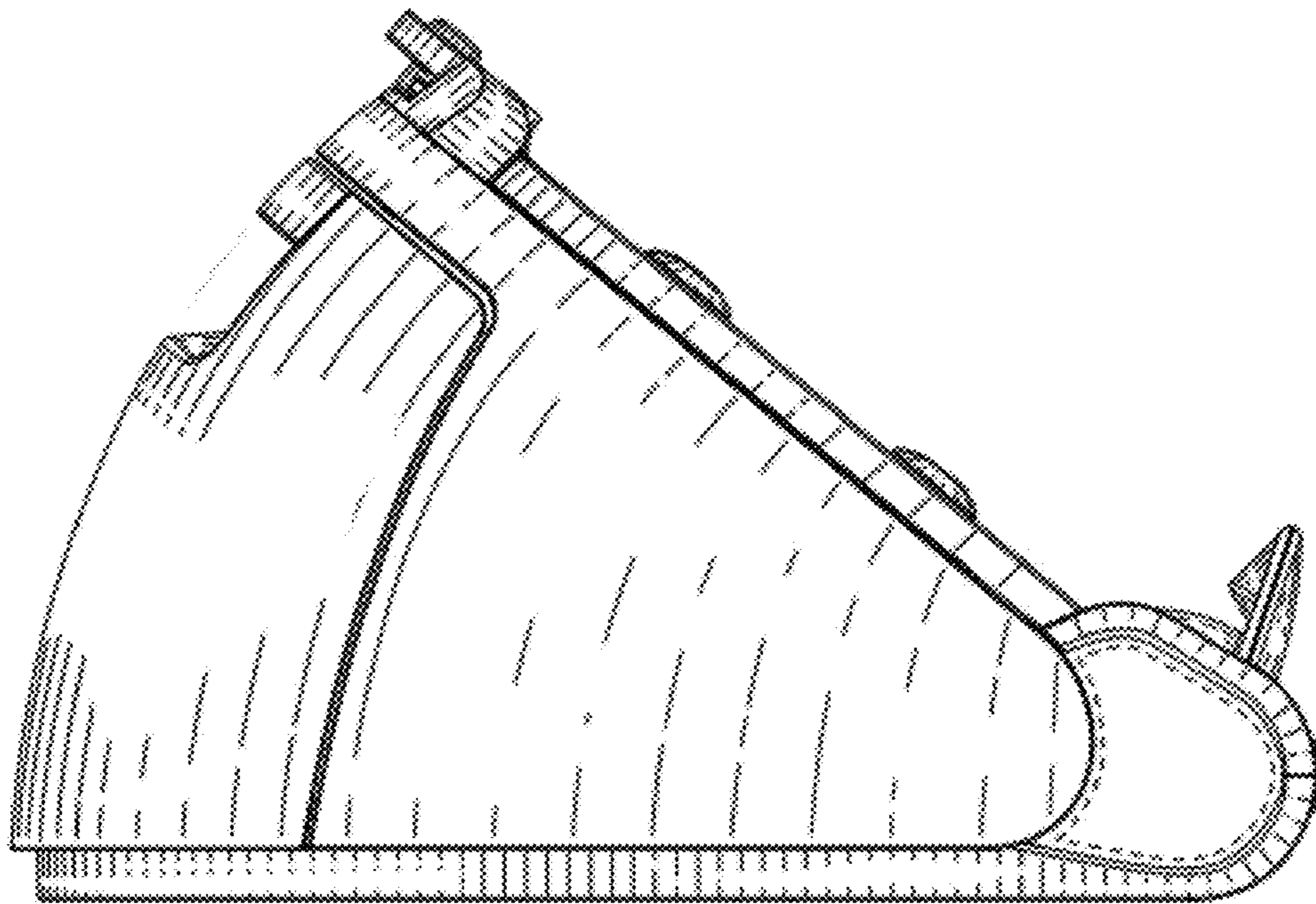


FIG. 5

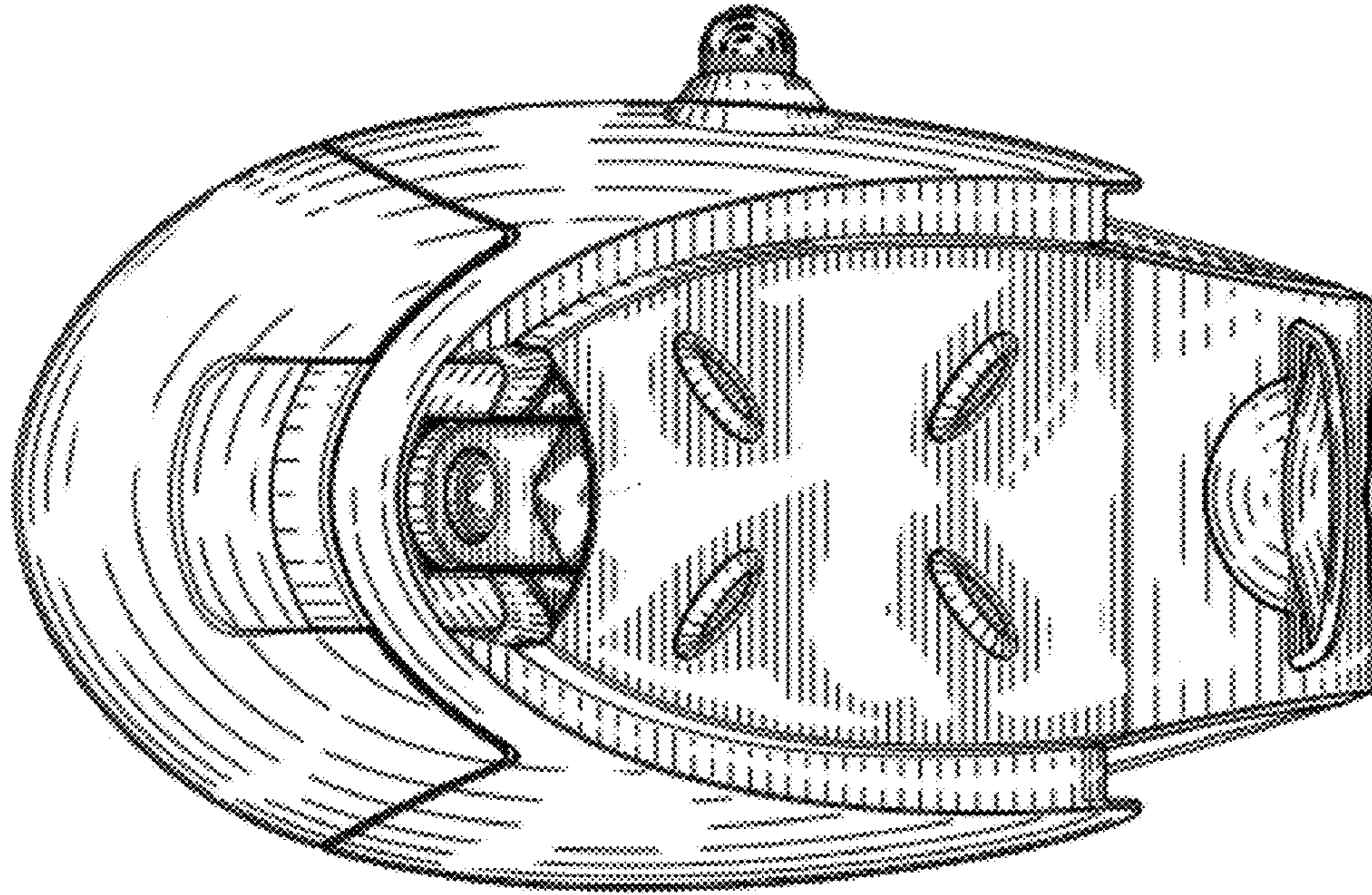


FIG. 6

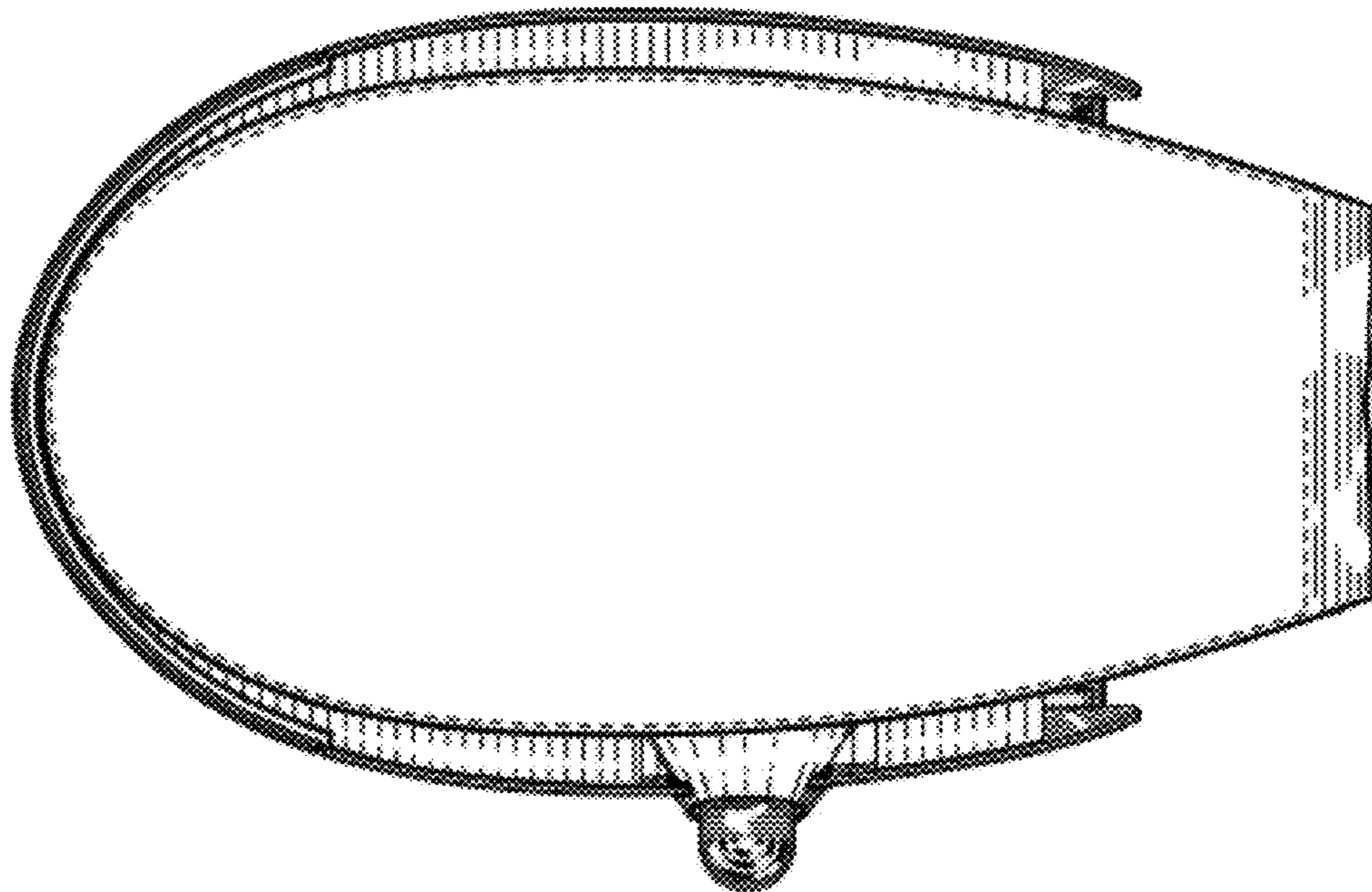


FIG. 7