



US00D660536S

(12) **United States Design Patent**
Weaver et al.

(10) **Patent No.:** **US D660,536 S**

(45) **Date of Patent:** **** May 22, 2012**

(54) **CLEANING DEVICE**

(75) Inventors: **Jace A. Weaver**, Gilbertsville, PA (US);
Ryan Sheckels, Marlton, NJ (US); **Sean E. Monahan**, Franklinville, NJ (US);
Michael A. Schiavo, Mt. Ephraim, NJ (US)

(73) Assignee: **Quickie Manufacturing Corporation**,
Cinnaminson, NJ (US)

(**) Term: **14 Years**

(21) Appl. No.: **29/377,760**

(22) Filed: **Oct. 26, 2010**

(51) **LOC (9) Cl.** **04-01**

(52) **U.S. Cl.** **D32/51**

(58) **Field of Classification Search** D32/40-45,
D32/50-52; 15/118, 244.1, 244.2, 244.3,
15/244.4, 116.1, 116.2, 119.1, 119.2, 104.9,
15/228, 229.2, 229.4; 401/135-140

See application file for complete search history.

(56) **References Cited**

U.S. PATENT DOCUMENTS

2,500,841	A	3/1950	Fellman et al.
2,883,689	A	4/1959	Vosbikian et al.
3,085,271	A	4/1963	Janssen
D231,512	S	4/1974	Zemke
4,845,800	A	7/1989	Pederson
4,881,290	A	11/1989	Bohacek
5,161,279	A	11/1992	Sager et al.
D368,561	S	4/1996	Hodges et al.
5,864,914	A	2/1999	Salmon
5,943,727	A	8/1999	Freer
5,970,567	A	10/1999	Hirse

6,061,864	A	5/2000	Ensson	
6,389,635	B1	5/2002	Petner et al.	
6,591,442	B2	7/2003	Kaminstein	
6,976,282	B2	12/2005	Sie	
D554,312	S *	10/2007	Schaepers et al.	D28/63
D579,165	S	10/2008	Handy et al.	
D597,270	S *	7/2009	McNeil et al.	D32/51
D614,371	S	4/2010	Blom	
D622,019	S *	8/2010	Weaver et al.	D32/51
D644,386	S *	8/2011	Tawara et al.	D32/51
2006/0085935	A1	4/2006	White, III	
2008/0222825	A1	9/2008	Sampaio	
2008/0244846	A1	10/2008	Bayon et al.	

* cited by examiner

Primary Examiner — John Windmuller

(74) *Attorney, Agent, or Firm* — John F. Letchford; Archer & Greiner, P.C.

(57) **CLAIM**

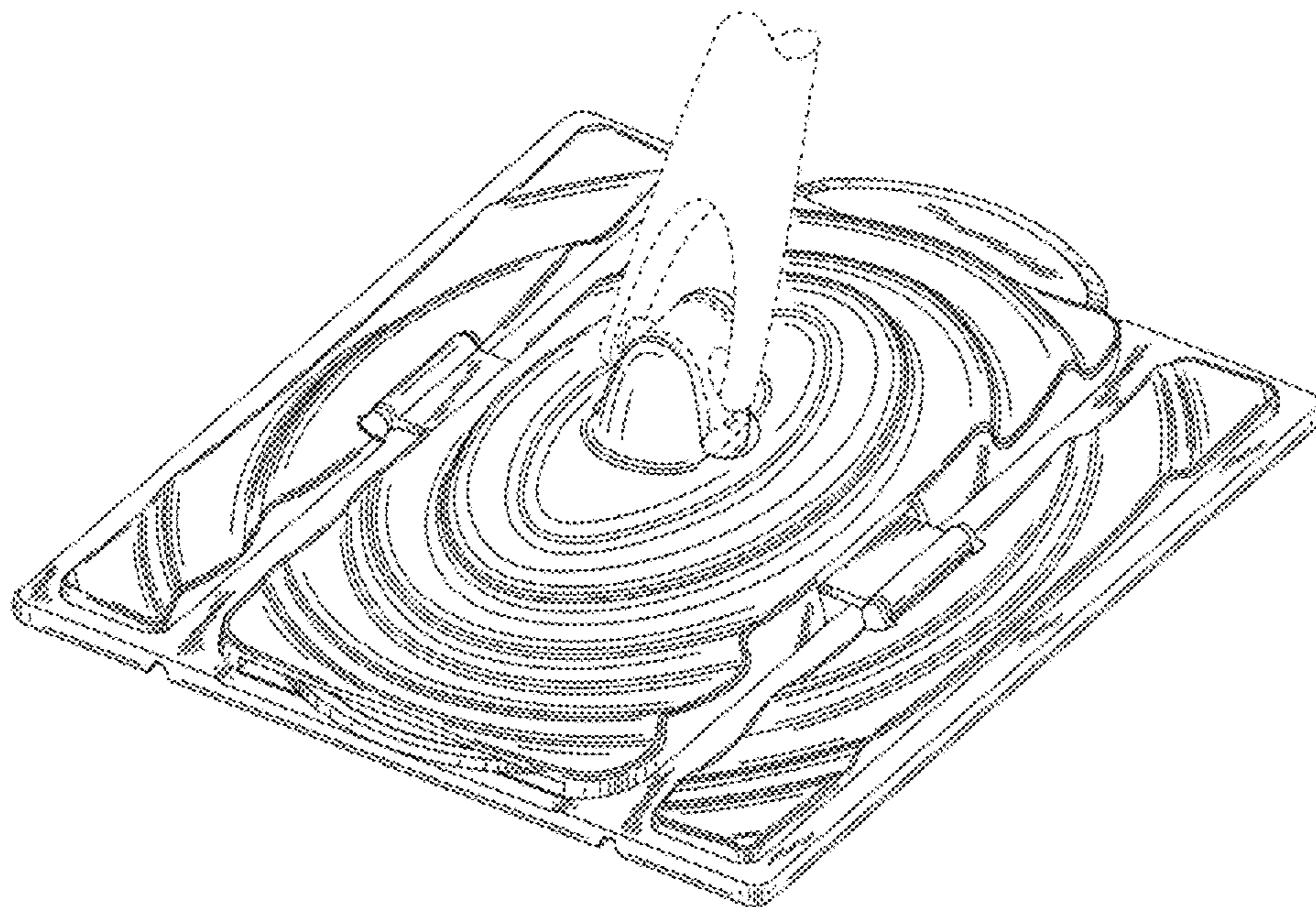
The ornamental design for a cleaning device, as shown and described.

DESCRIPTION

FIG. 1 is a top front perspective view of a cleaning device and an exemplary environment;
FIG. 2 is a top front perspective view thereof;
FIG. 3 is a top view thereof;
FIG. 4 is a bottom view thereof;
FIG. 5 is a front view thereof;
FIG. 6 is a rear view thereof;
FIG. 7 is a right side view thereof; and,
FIG. 8 is a left side view thereof.

The portions of the cleaning device and environment shown n broken lines are for illustrative purposes only and form no part of the claimed design.

1 Claim, 8 Drawing Sheets



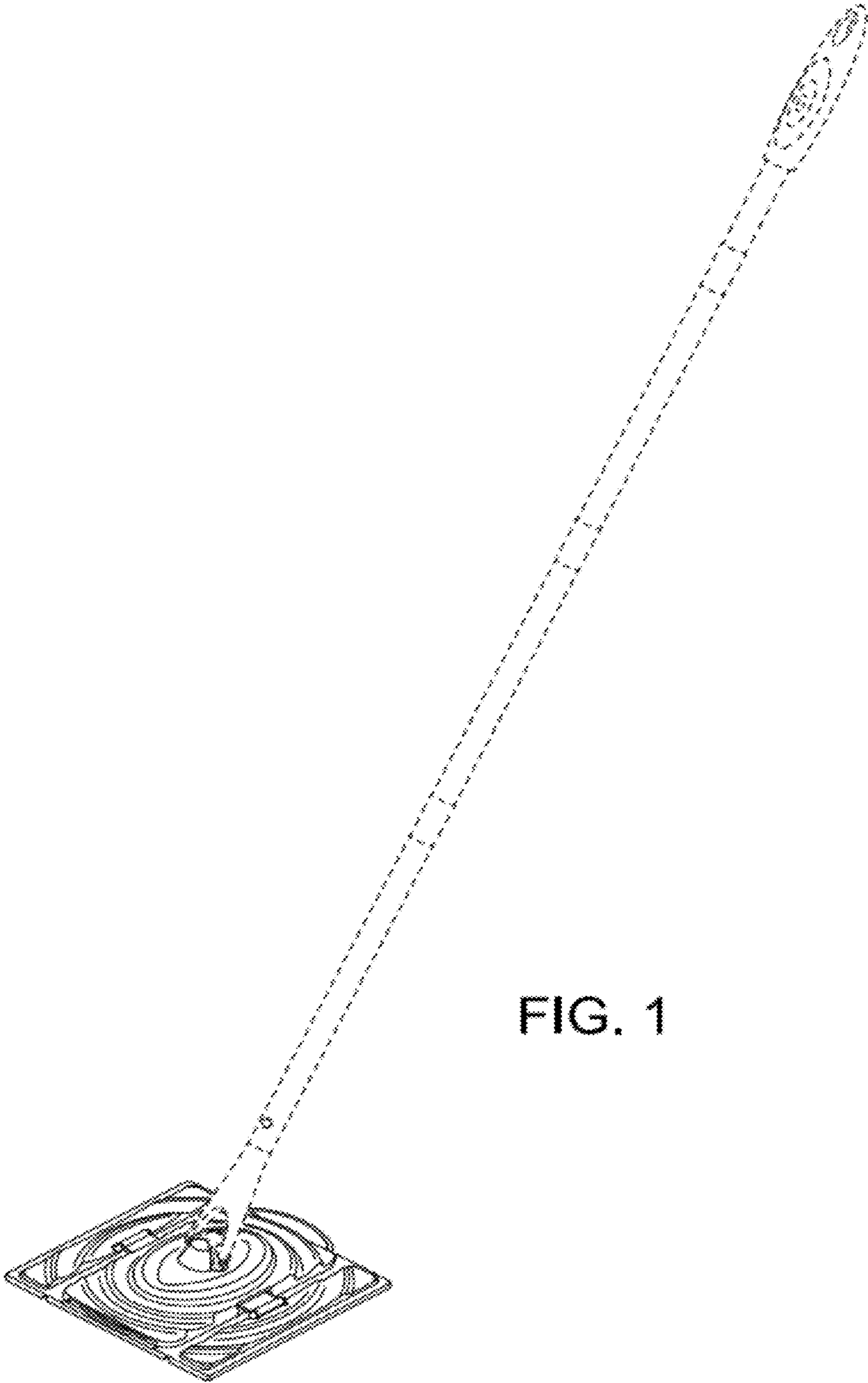


FIG. 1

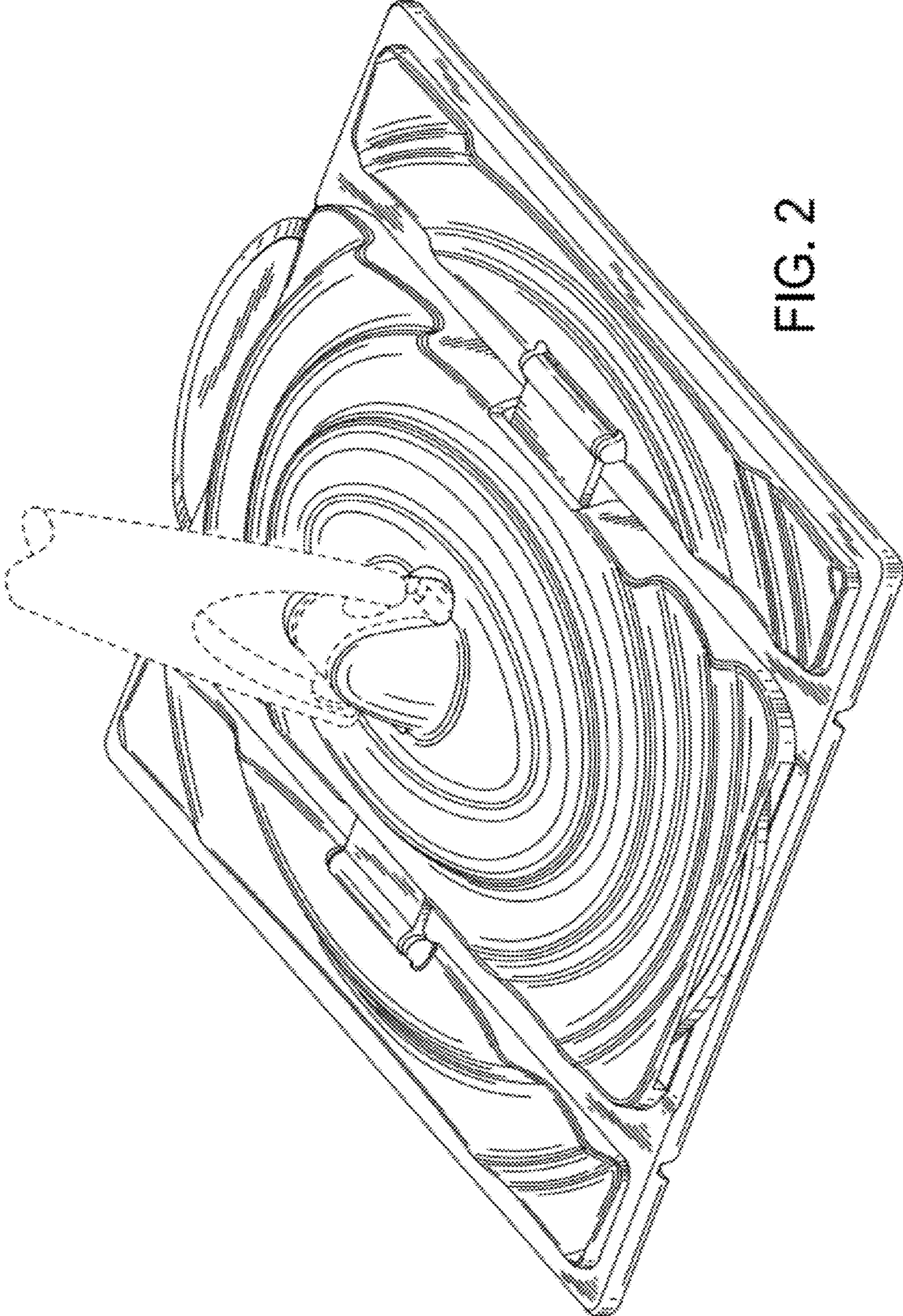


FIG. 2

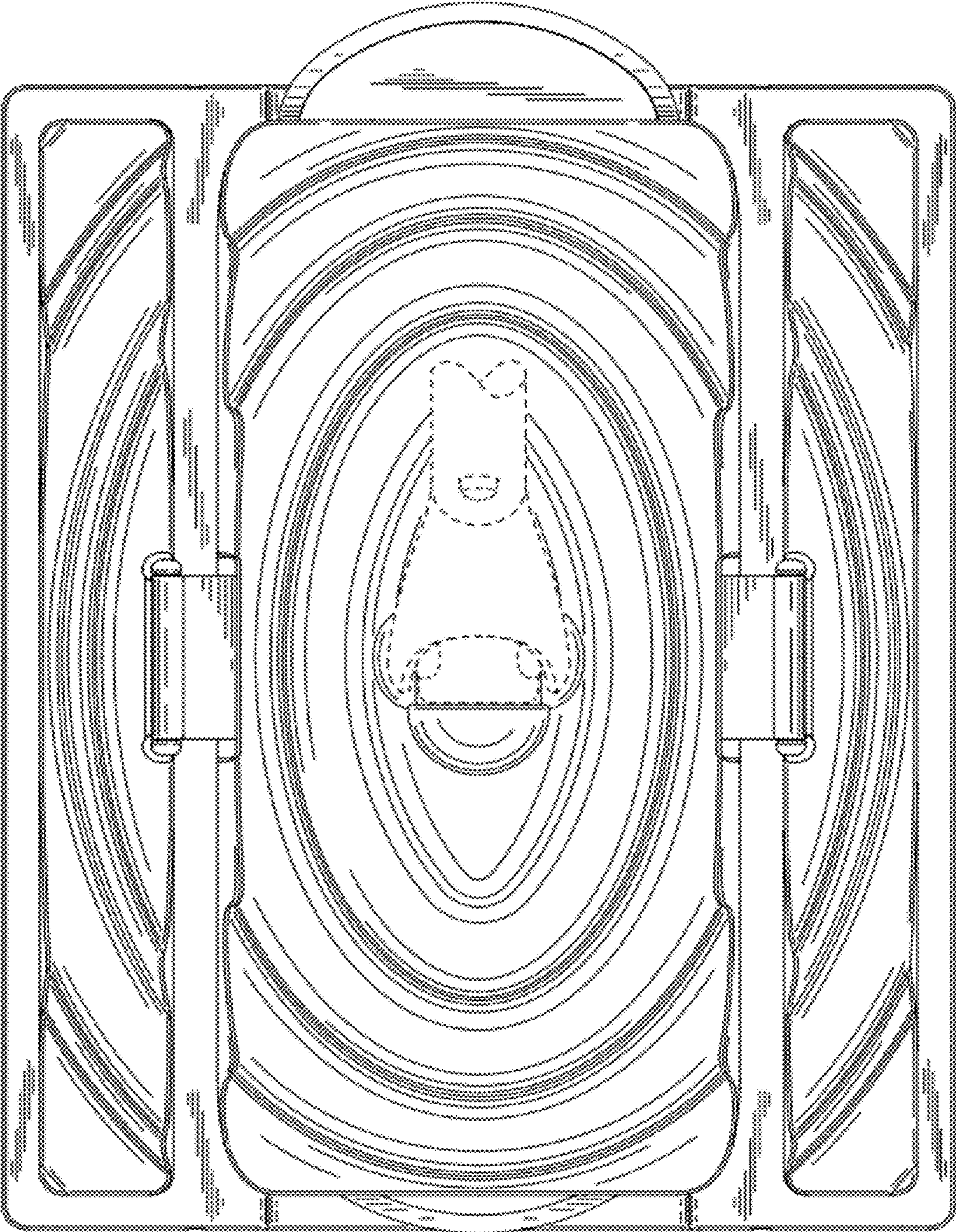


FIG. 3

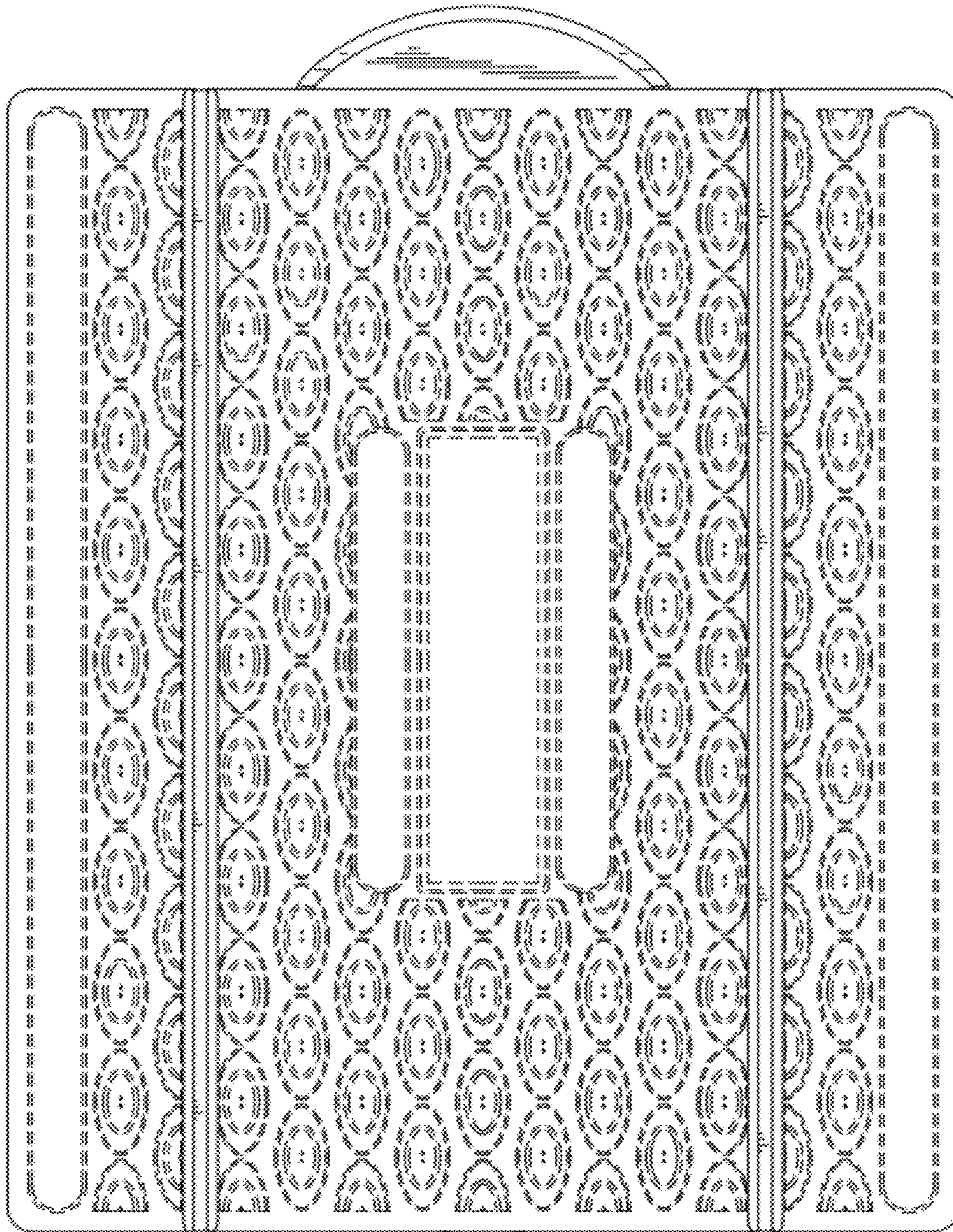


FIG. 4

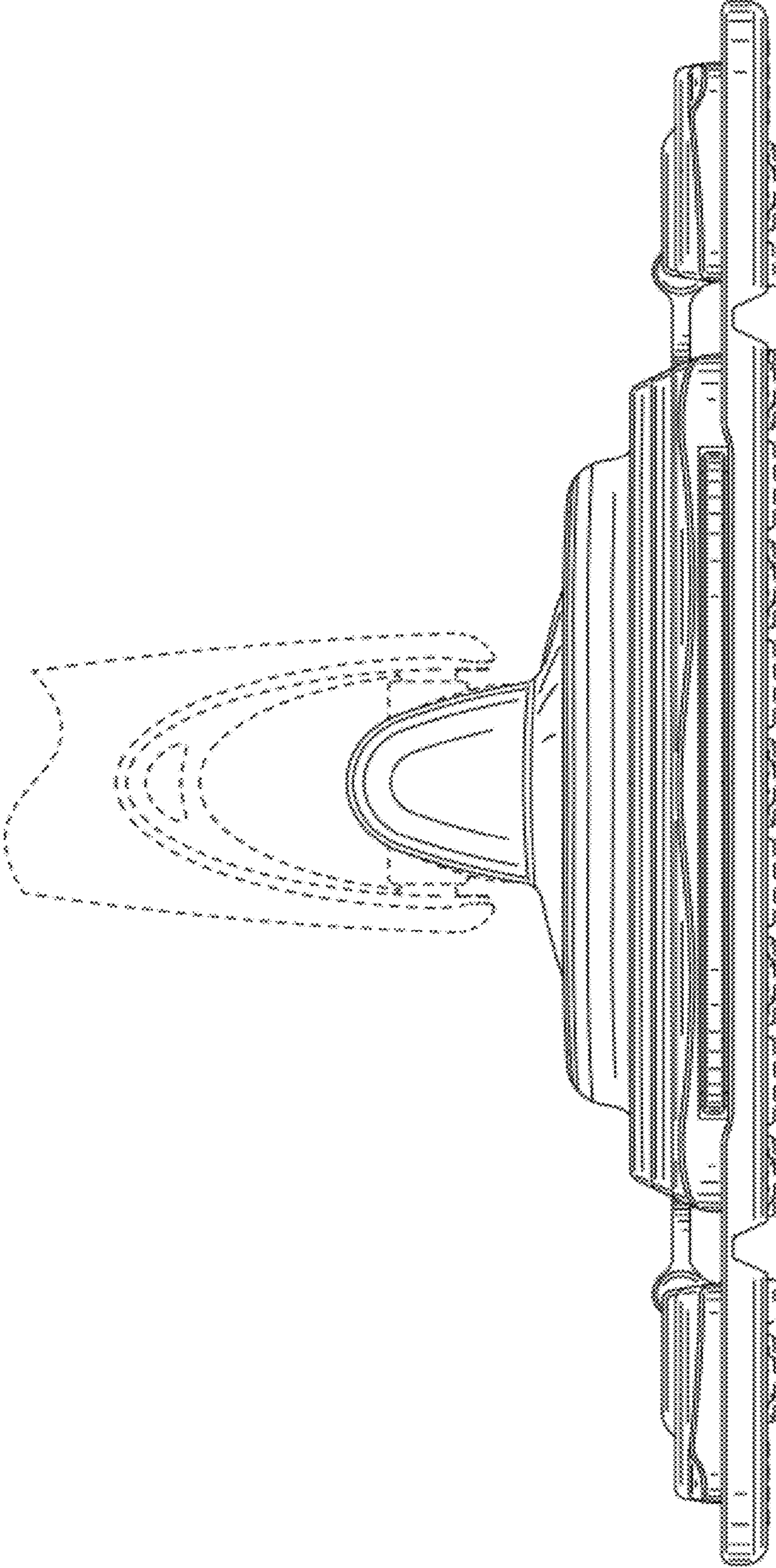


FIG. 5

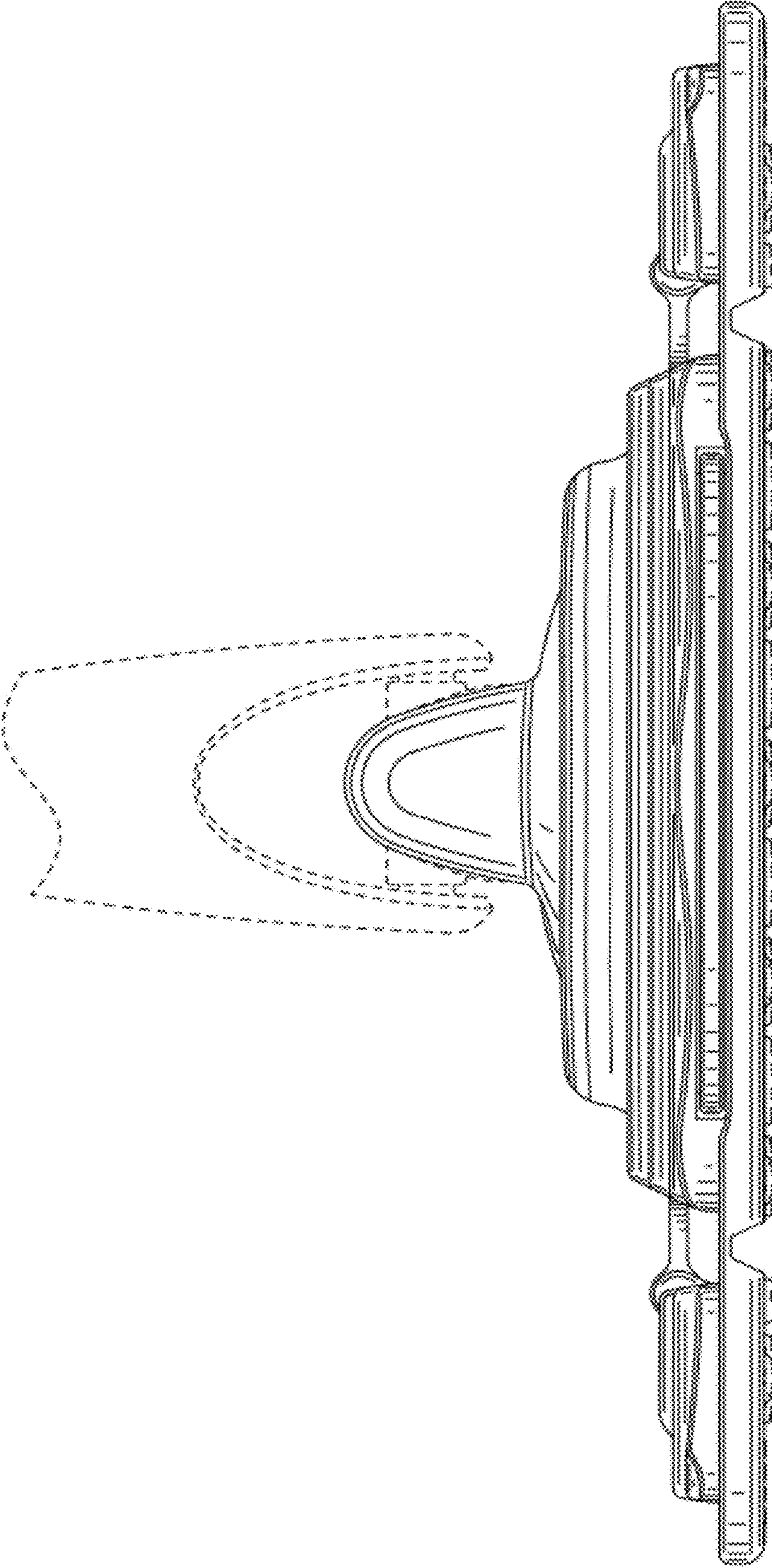


FIG. 6

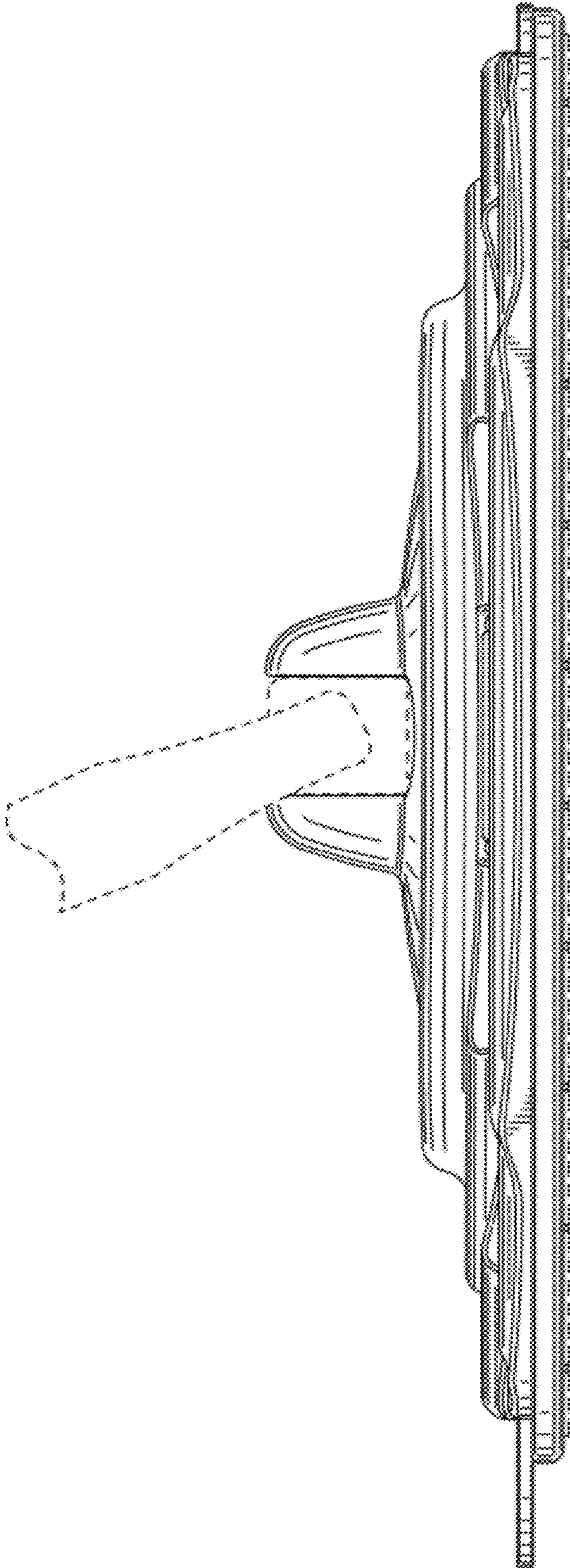


FIG. 7

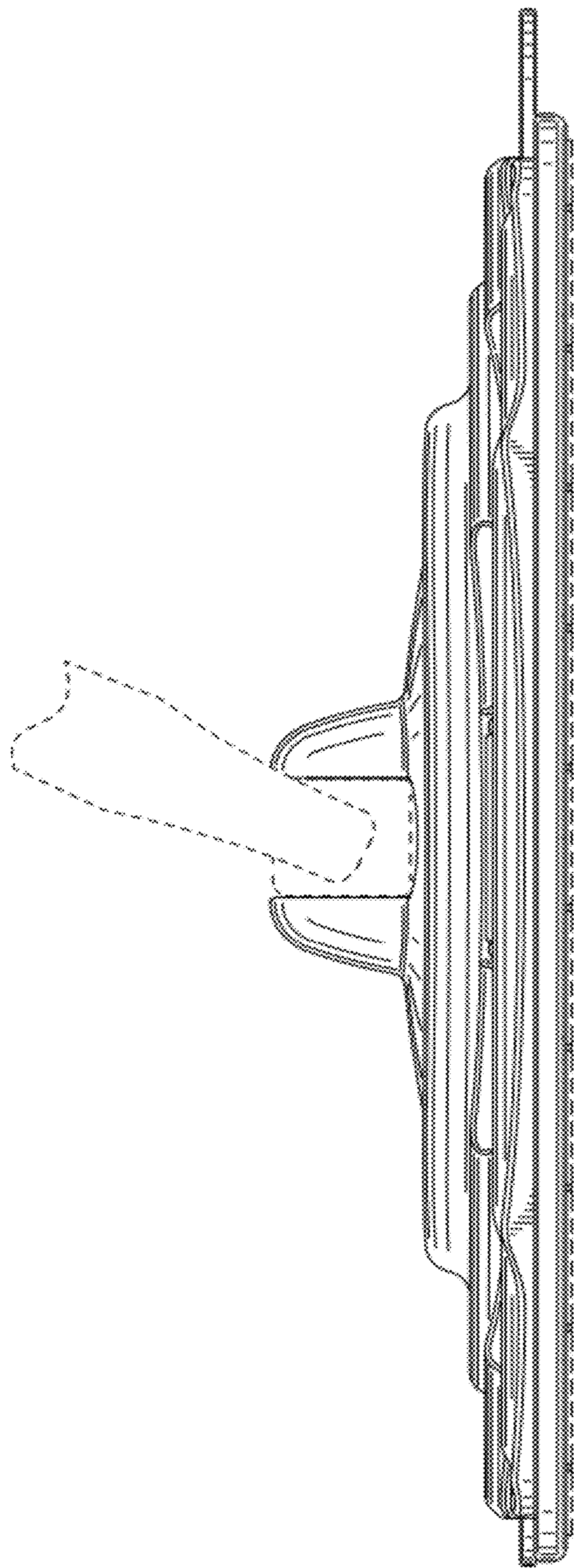


FIG. 8