



US00D660533S

(12) **United States Design Patent**
Hill et al.

(10) **Patent No.:** **US D660,533 S**

(45) **Date of Patent:** **** May 22, 2012**

(54) **FLOOR CLEANING MACHINE**

(75) Inventors: **Ambreese Hill**, Grand Rapids, MI (US);
Douglas J. Medema, Belding, MI (US);
Meghan M. Raven, Grand Rapids, MI
(US)

(73) Assignee: **BISSELL Homecare, Inc.**, Grand
Rapids, MI (US)

(**) Term: **14 Years**

(21) Appl. No.: **29/386,757**

(22) Filed: **Mar. 4, 2011**

(51) **LOC (9) Cl.** **04-01**

(52) **U.S. Cl.** **D32/45; D32/22**

(58) **Field of Classification Search** D32/40,
D32/45, 50, 51; 401/137-140, 40-42; 141/20.5
See application file for complete search history.

(56) **References Cited**

U.S. PATENT DOCUMENTS

D507,088 S * 7/2005 Chi-Hsiang et al. D32/45
6,960,042 B1 * 11/2005 Hsiao 401/138
D583,118 S * 12/2008 Snyder D32/51

D602,218 S * 10/2009 Koenig et al. D32/40
D607,168 S * 12/2009 Libman et al. D32/45
D615,260 S * 5/2010 Koenig D32/45
D625,481 S * 10/2010 Raven D32/51
D631,217 S * 1/2011 Lavy D32/45
D636,958 S * 4/2011 Koenig et al. D32/45

* cited by examiner

Primary Examiner — Robin V Webster

(74) *Attorney, Agent, or Firm* — McGarry Bair PC

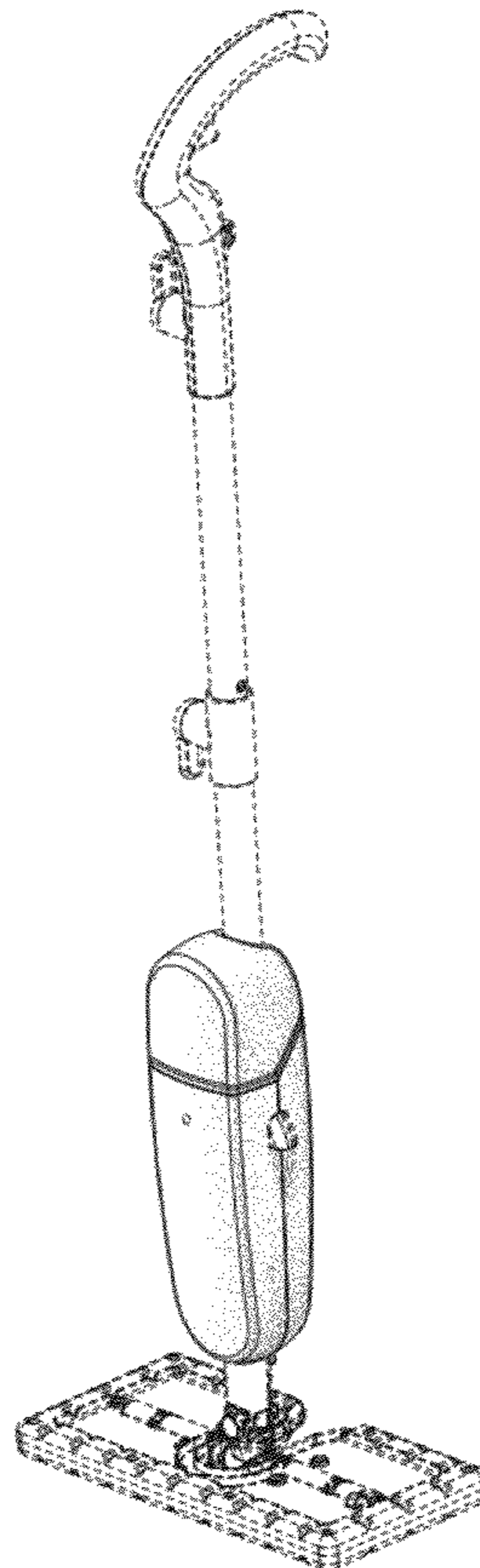
(57) **CLAIM**

The ornamental design for a floor cleaning machine, as shown
and described.

DESCRIPTION

FIG. 1 is a perspective view of a floor cleaning machine which
embodies our design;
FIG. 2 is a front view thereof;
FIG. 3 is a rear view thereof;
FIG. 4 is a left side view thereof,
FIG. 5 is a right side view thereof; and,
FIG. 6 is a top view thereof.
Portions of the floor cleaning machine shown in broken lines
form no part of the claimed design.

1 Claim, 4 Drawing Sheets



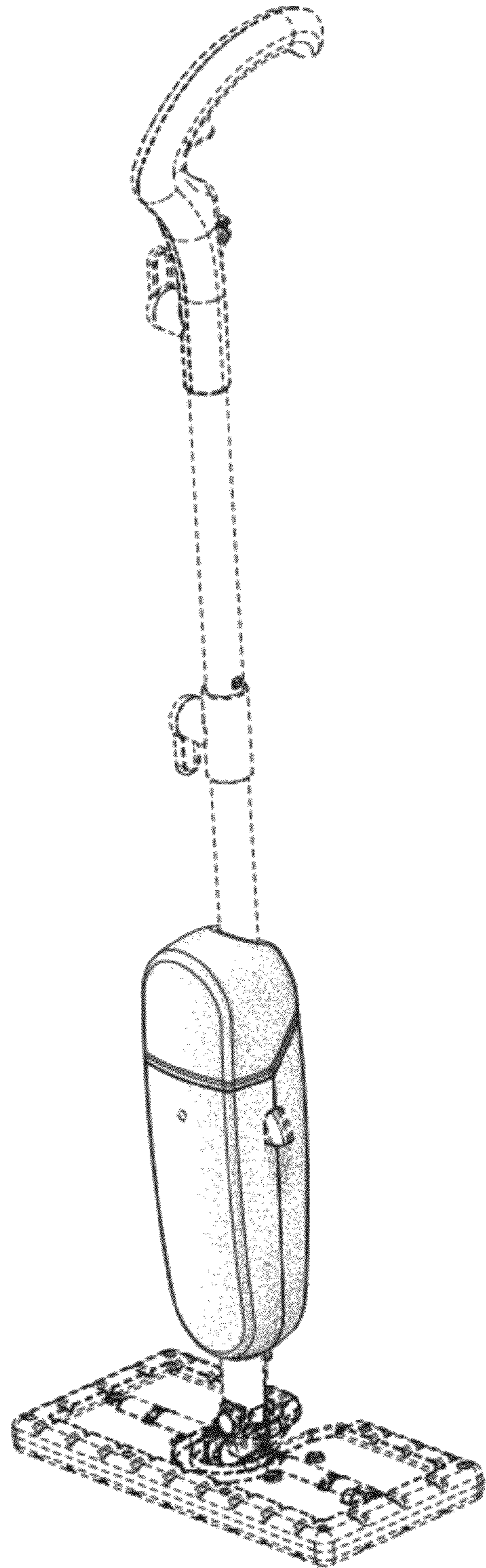


Fig. 1

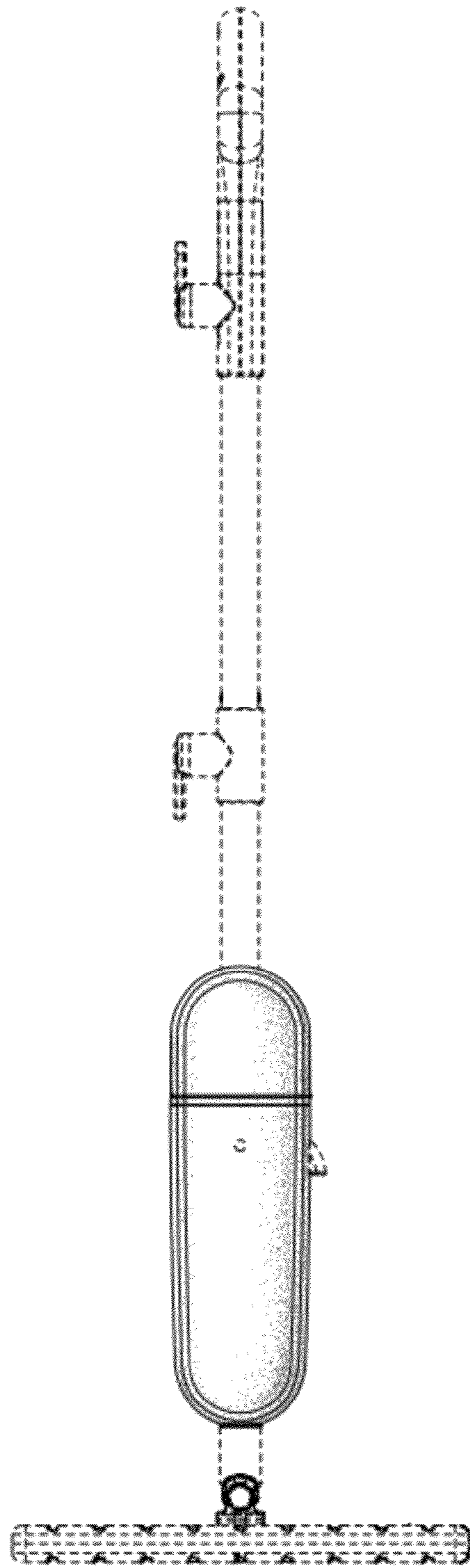


Fig. 2

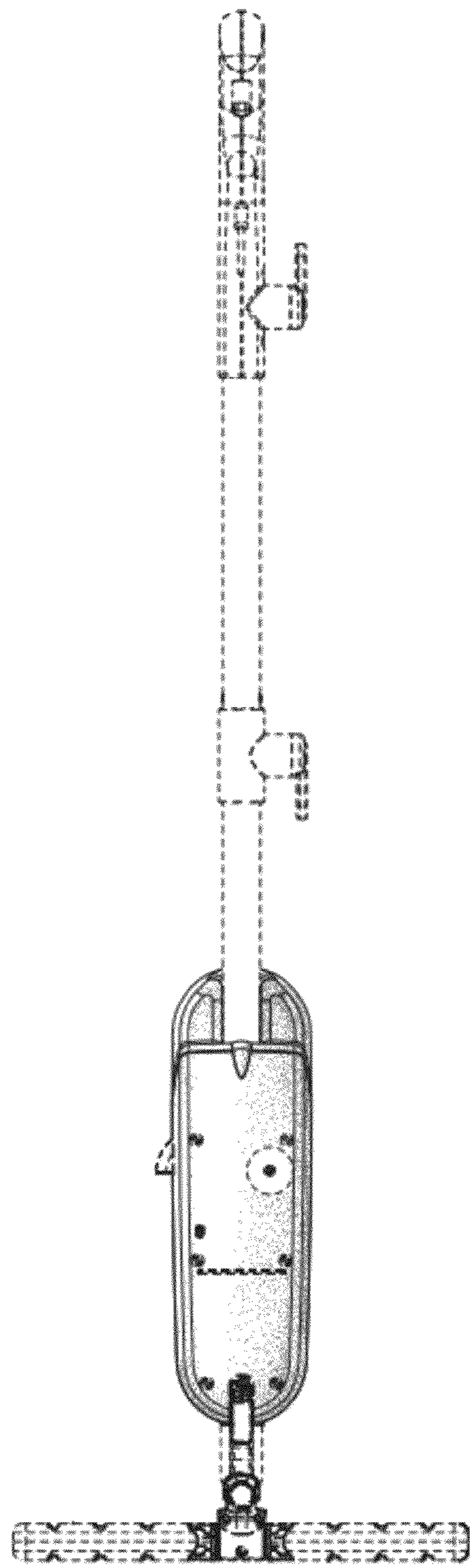


Fig. 3

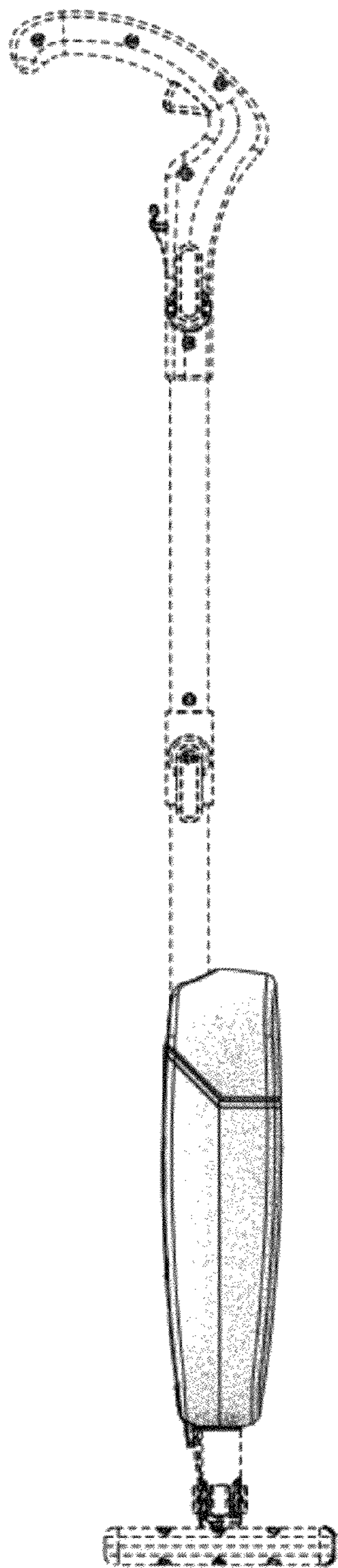


Fig. 4

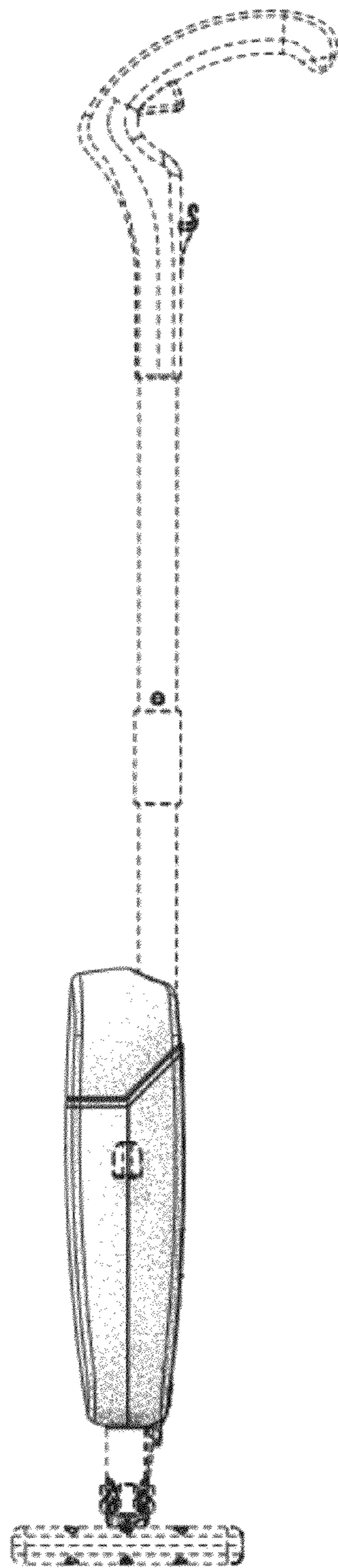


Fig. 5

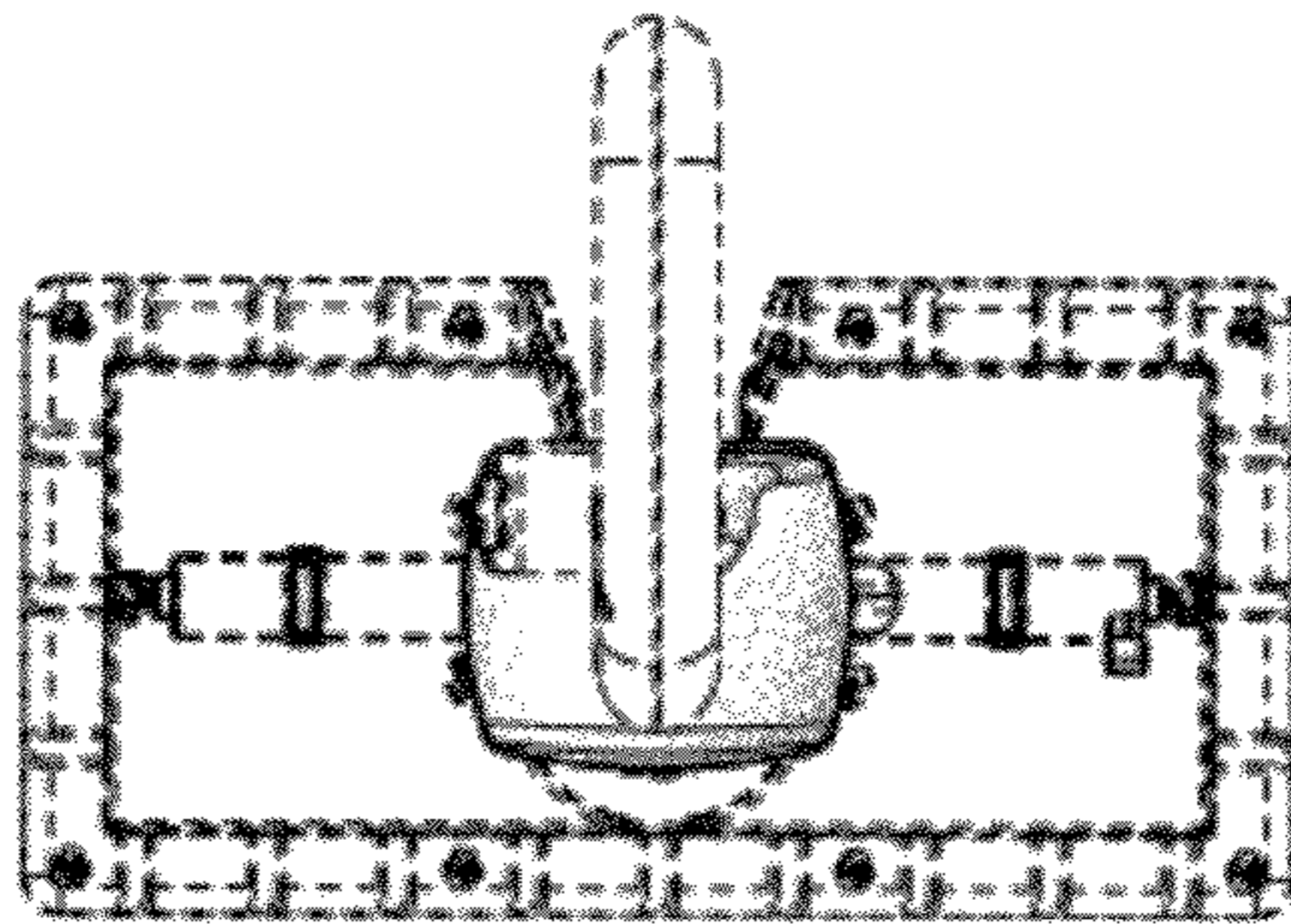


Fig. 6