



US00D660532S

(12) **United States Design Patent**  
**Kim**

(10) **Patent No.:** **US D660,532 S**

(45) **Date of Patent:** **\*\* May 22, 2012**

(54) **VACUUM CLEANER**

(75) **Inventor:** **Kyung Tae Kim**, Kyungki-Do (KR)

(73) **Assignee:** **Samsung Electronics Co., Ltd.**,  
Suwon-si (KR)

(\*\*) **Term:** **14 Years**

(21) **Appl. No.:** **29/368,169**

(22) **Filed:** **Aug. 19, 2010**

(51) **LOC (9) Cl.** ..... **15-05**

(52) **U.S. Cl.** ..... **D32/22**

(58) **Field of Classification Search** ..... D32/22,  
D32/31, 34; 55/337, 429, 459.1, DIG. 2,  
55/DIG. 3; 15/386, 320, 350, 353, 361, 347,  
15/410-411, 327.1, 329, 383, 398, 366, 182-183,  
15/179, 344, 374, 392, 339, 402, 415.1, 419,  
15/310, 246.2, 4.52; 119/628

See application file for complete search history.

(56) **References Cited**

**U.S. PATENT DOCUMENTS**

D462,813 S \* 9/2002 Nakano et al. .... D32/22  
D510,465 S \* 10/2005 Takahashi et al. .... D32/22

D532,944 S \* 11/2006 Choi ..... D32/22  
D533,697 S \* 12/2006 Ikeno et al. .... D32/22  
D535,070 S \* 1/2007 Shin ..... D32/22  
D587,870 S \* 3/2009 Baek et al. .... D32/22  
D610,317 S \* 2/2010 Lee et al. .... D32/22  
D610,318 S \* 2/2010 Shin ..... D32/22  
D633,264 S \* 2/2011 Lee ..... D32/22  
D637,777 S \* 5/2011 Fiorino et al. .... D32/31

\* cited by examiner

*Primary Examiner* — Ruth McInroy

(74) *Attorney, Agent, or Firm* — Ladas & Parry LLP

(57) **CLAIM**

I claim the ornamental design for a vacuum cleaner, as shown and described.

**DESCRIPTION**

FIG. 1 is a top, front and right-side perspective view of a vacuum cleaner showing our new design;  
FIG. 2 is a front elevational view thereof;  
FIG. 3 is a rear elevational view thereof;  
FIG. 4 is a left-side elevational view thereof;  
FIG. 5 is a right-side elevational view thereof;  
FIG. 6 is a top plan view thereof; and,  
FIG. 7 is a bottom plan view thereof.

**1 Claim, 6 Drawing Sheets**

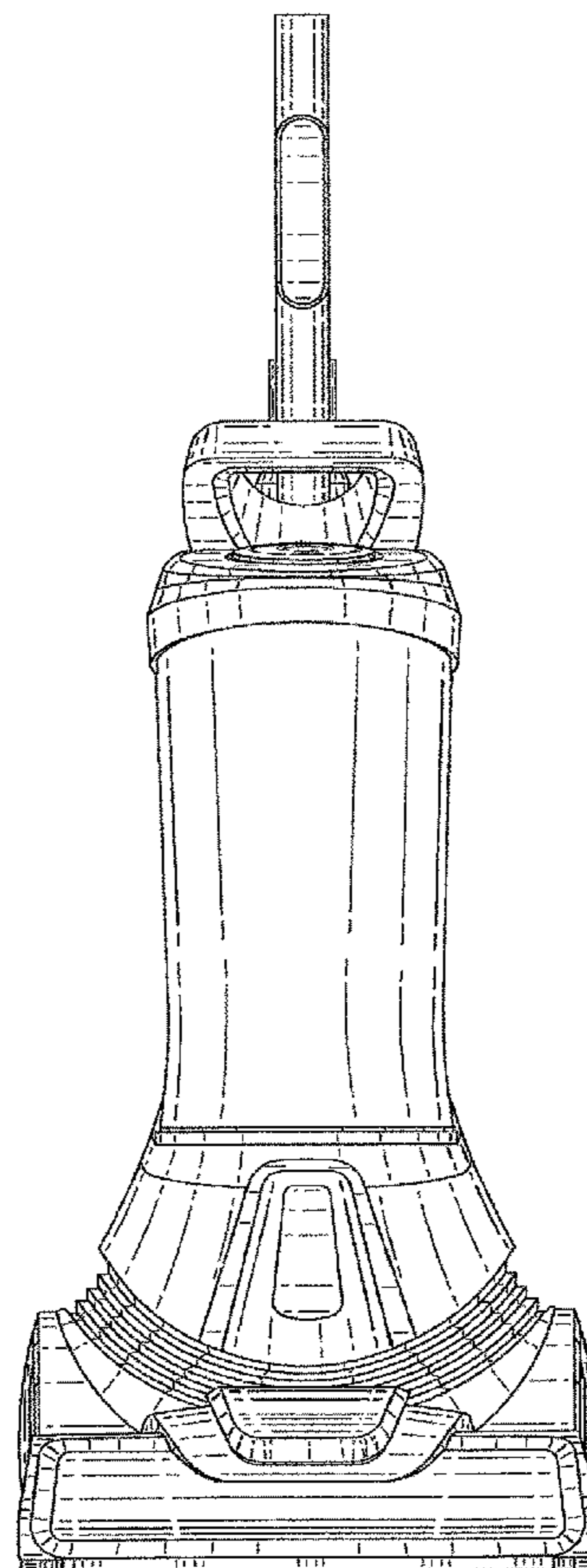
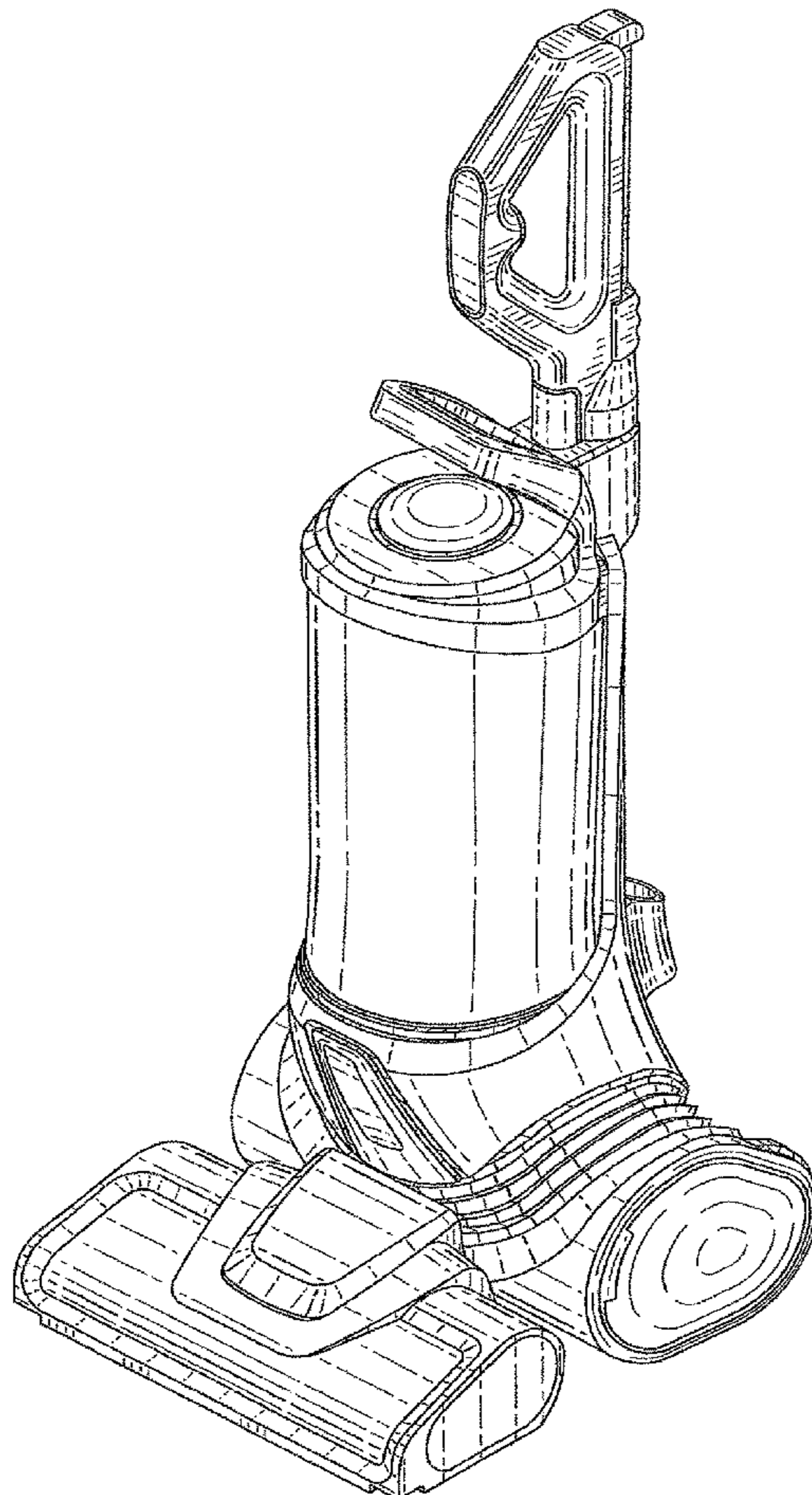
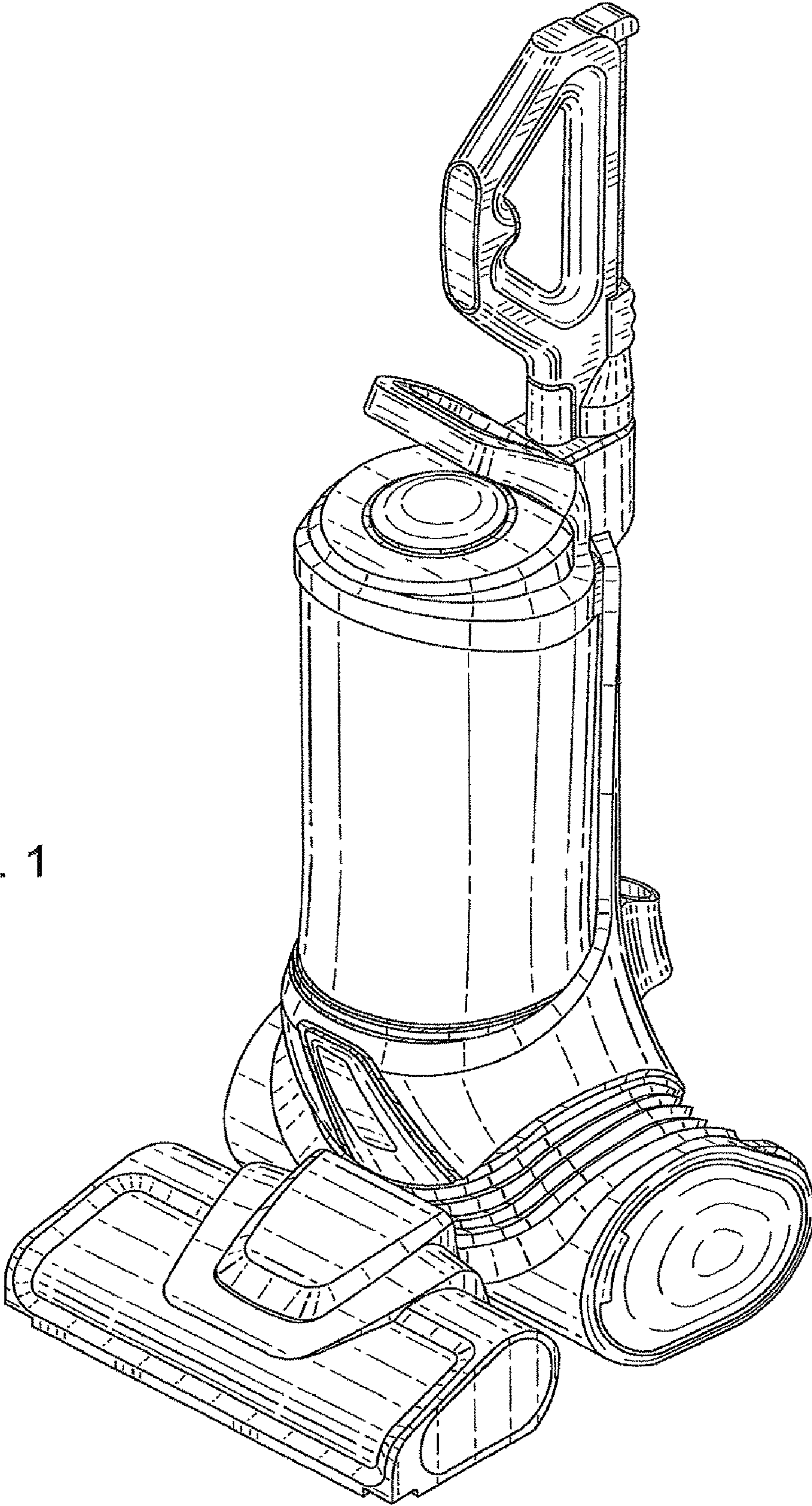


FIG. 1



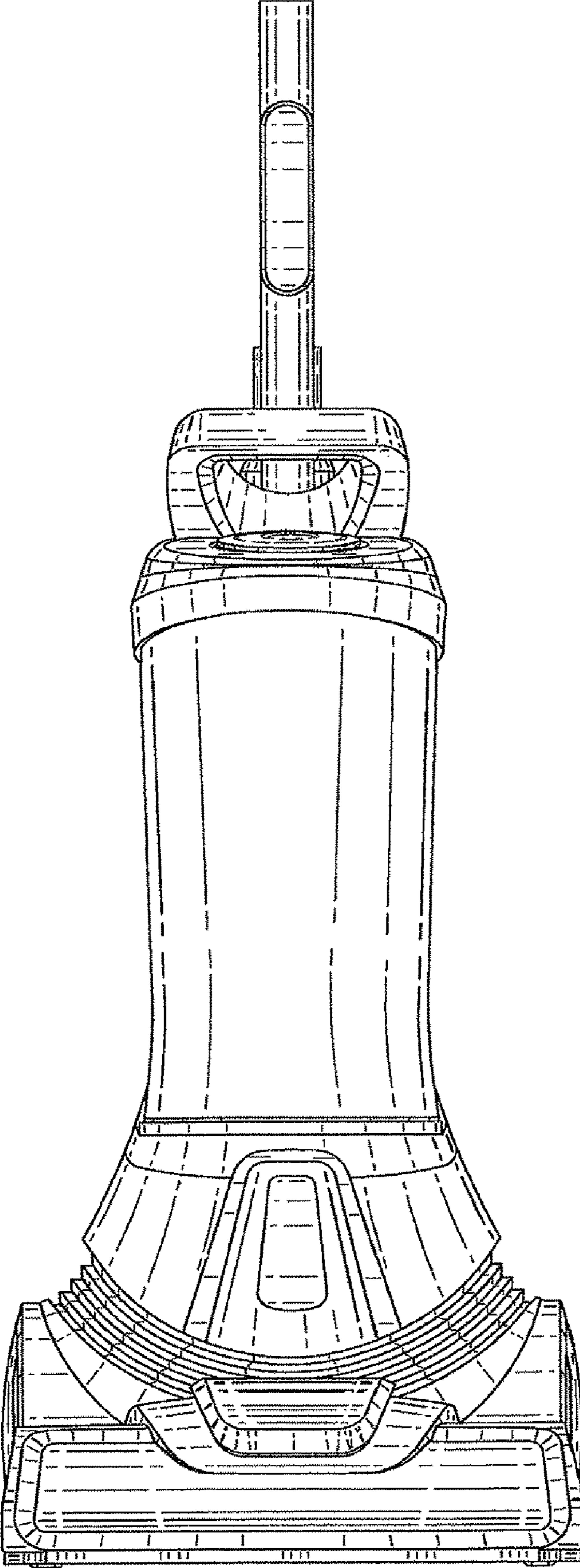


FIG. 2

FIG. 3

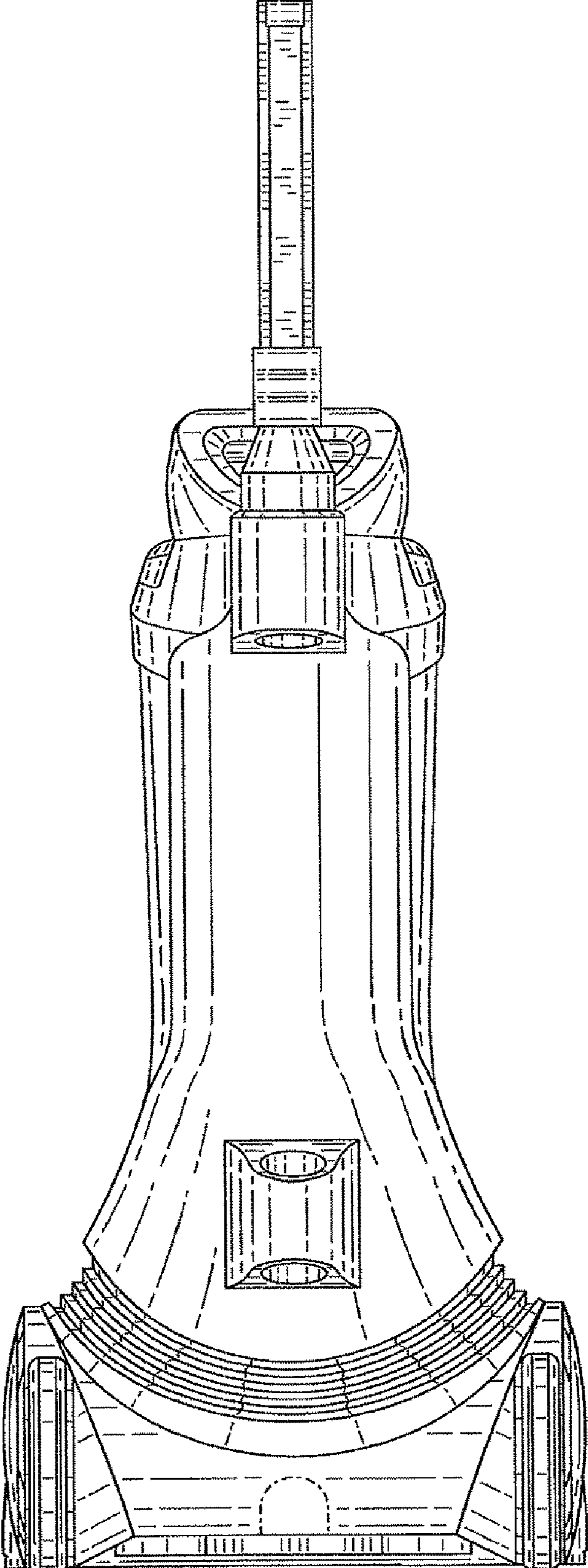


FIG. 4

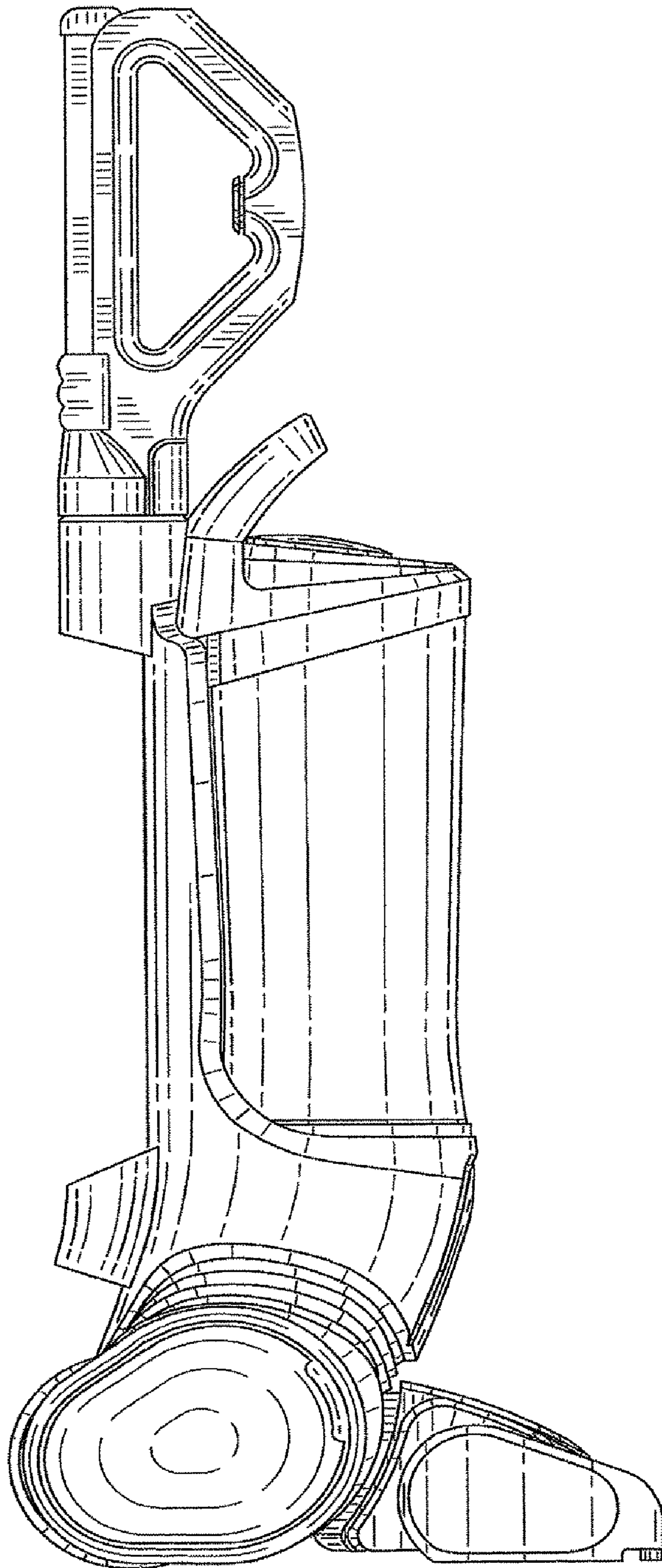
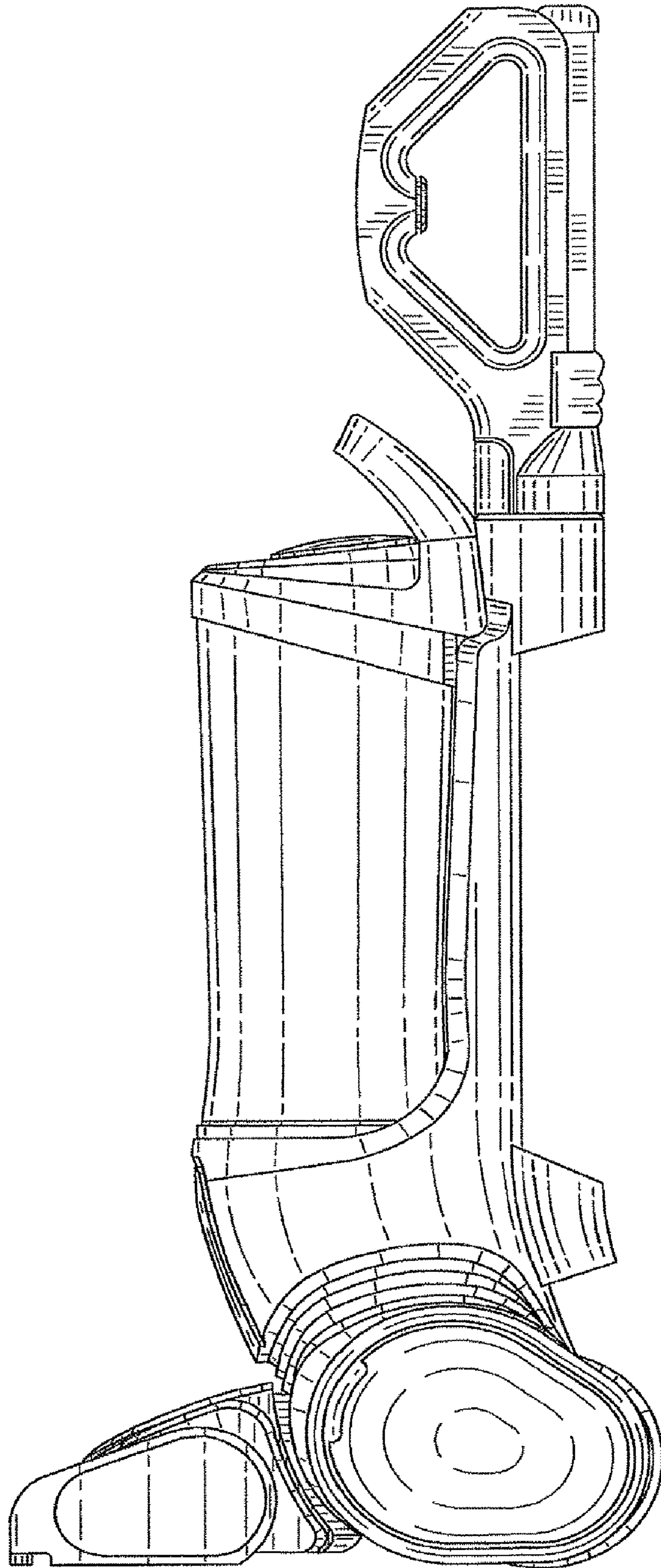


FIG. 5



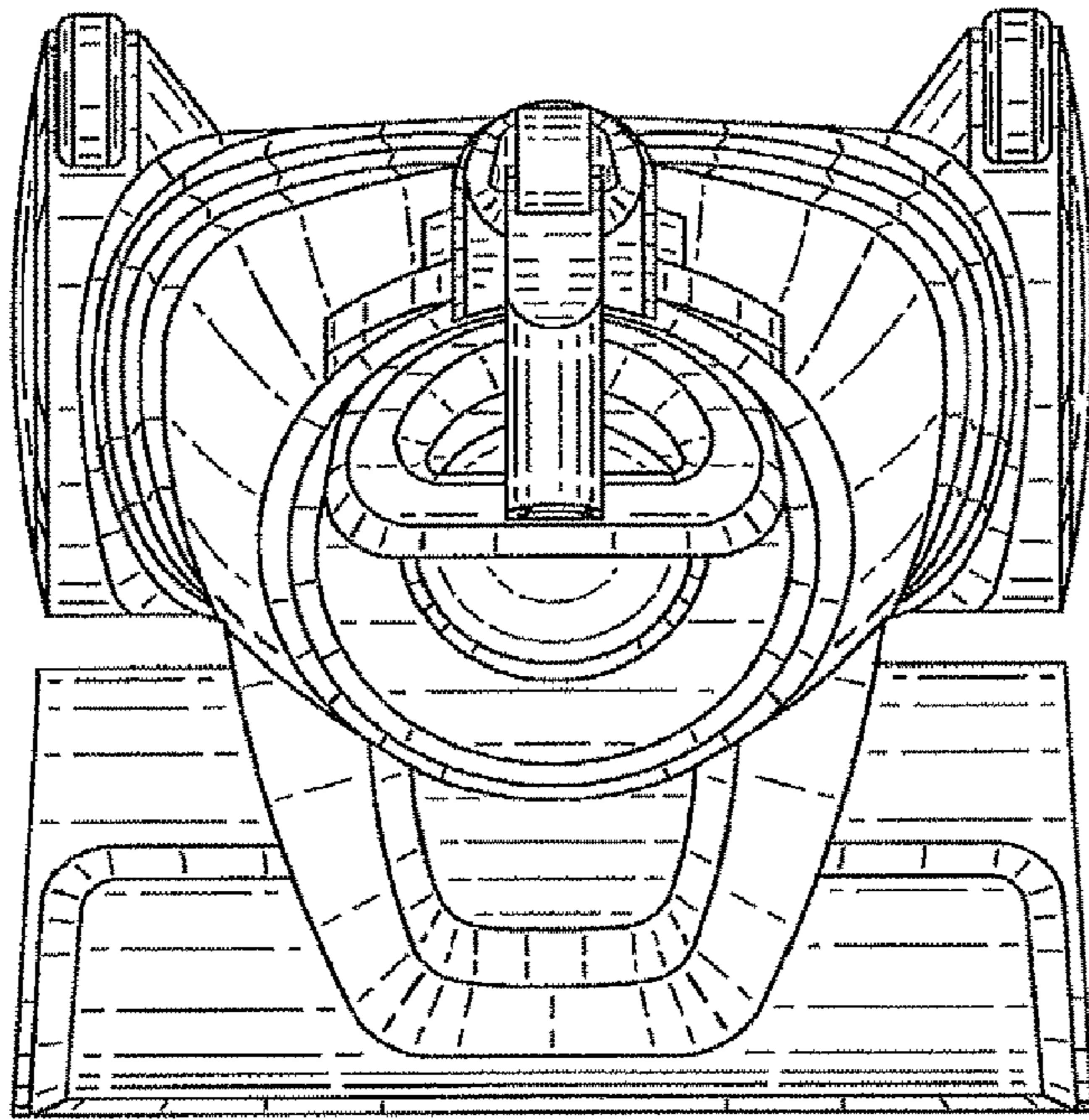


FIG. 6

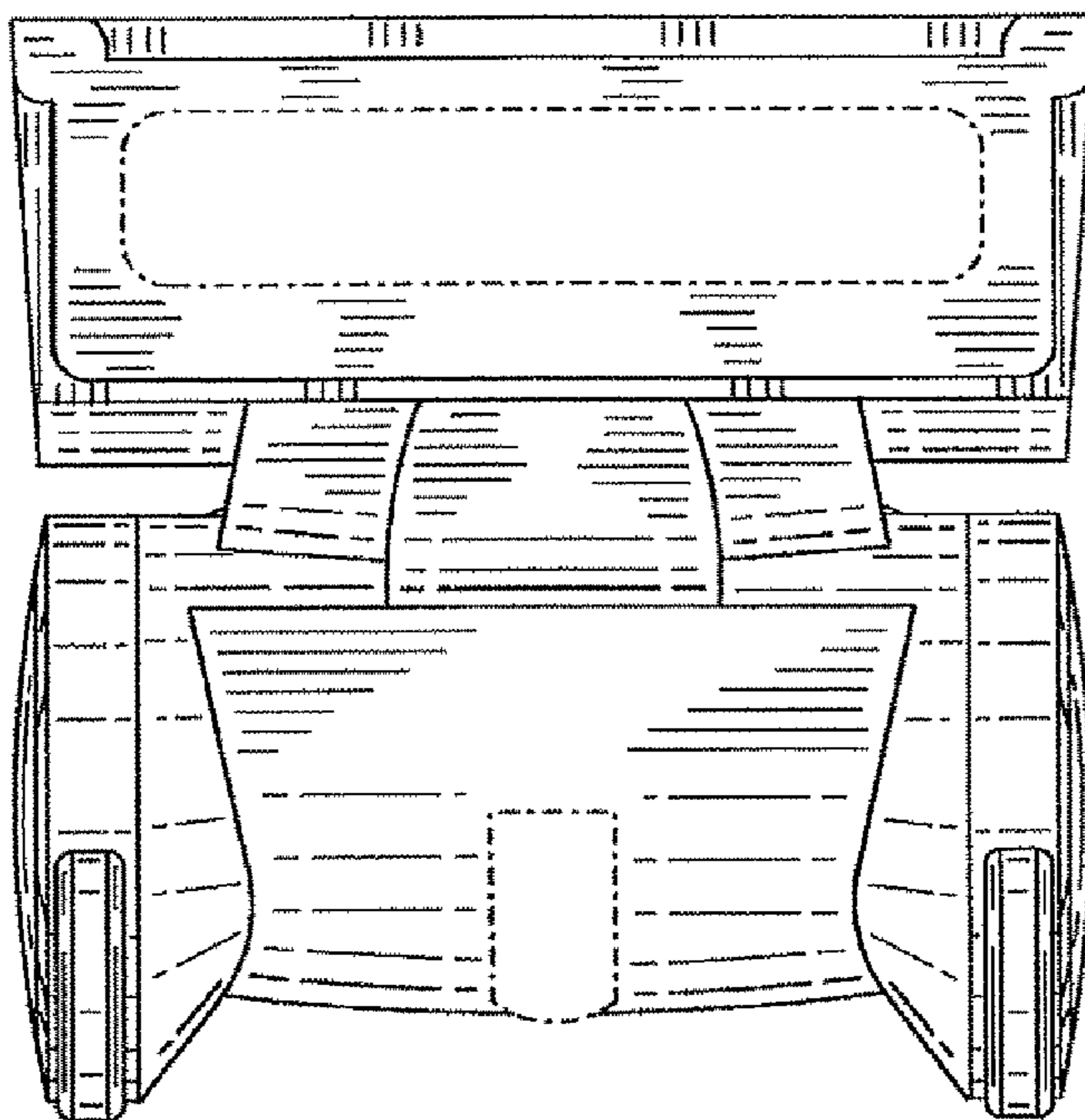


FIG. 7