



US00D660531S

(12) **United States Design Patent**
Benacquisto

(10) **Patent No.:** **US D660,531 S**

(45) **Date of Patent:** **** May 22, 2012**

(54) **PORTION OF FLOOR CLEANING MACHINE**

(75) **Inventor:** **Justin Benacquisto**, Caledonia, MI (US)

(73) **Assignee:** **BISSELL Homecare, Inc.**, Grand Rapids, MI (US)

(**) **Term:** **14 Years**

(21) **Appl. No.:** **29/386,755**

(22) **Filed:** **Mar. 4, 2011**

(51) **LOC (9) Cl.** **15-05**

(52) **U.S. Cl.** **D32/21**

(58) **Field of Classification Search** D32/21,
D32/23-24, 30-31; 15/327.1-327, 7, 328,
15/340.1, 340.2, 353, 347, 301, 336, 320,
15/314, 352, 412; 55/447, 337, 345, DIG. 3
See application file for complete search history.

(56) **References Cited**

U.S. PATENT DOCUMENTS

D462,488 S * 9/2002 Santiago et al. D32/18
D536,147 S * 1/2007 Medema et al. D32/18
D537,216 S * 2/2007 Davis et al. D32/18

D577,164 S * 9/2008 Williams et al. D32/21
D582,109 S * 12/2008 Kim et al. D32/21
D600,416 S * 9/2009 Shin et al. D32/21

* cited by examiner

Primary Examiner — Ruth McInroy

(74) *Attorney, Agent, or Firm* — McGarry Bair PC

(57) **CLAIM**

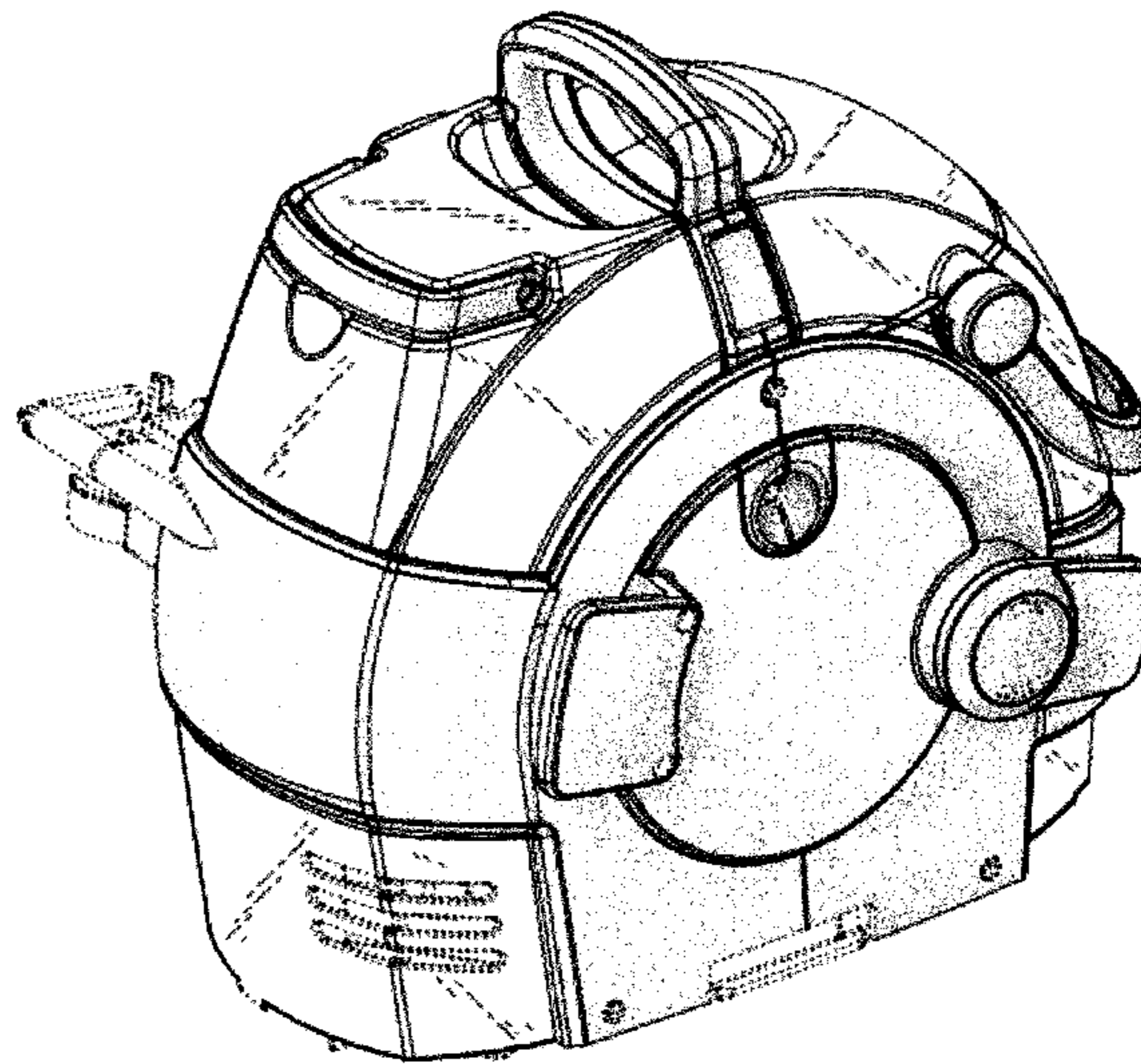
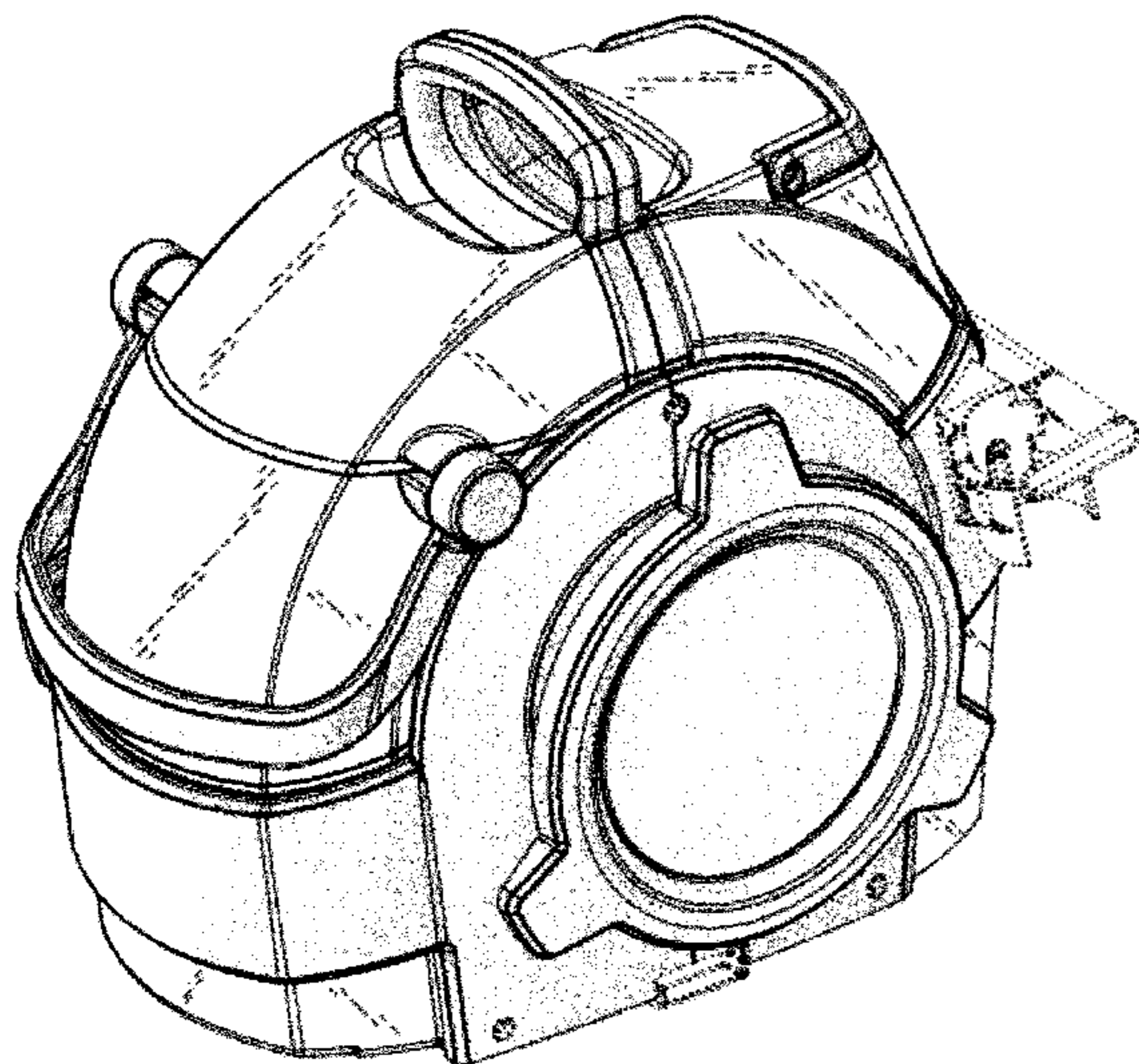
The ornamental design for a portion of floor cleaning machine, as shown and described.

DESCRIPTION

FIG. 1 is a front perspective view of a portion of floor cleaning machine which embodies our design;
FIG. 2 is a rear perspective view thereof;
FIG. 3 is a front view thereof;
FIG. 4 is a rear view thereof;
FIG. 5 is a left side view thereof;
FIG. 6 is a right side view thereof;
FIG. 7 is a top view thereof; and,
FIG. 8 is a bottom view.

The details shown in broken lines form no part of the claimed design.

1 Claim, 4 Drawing Sheets



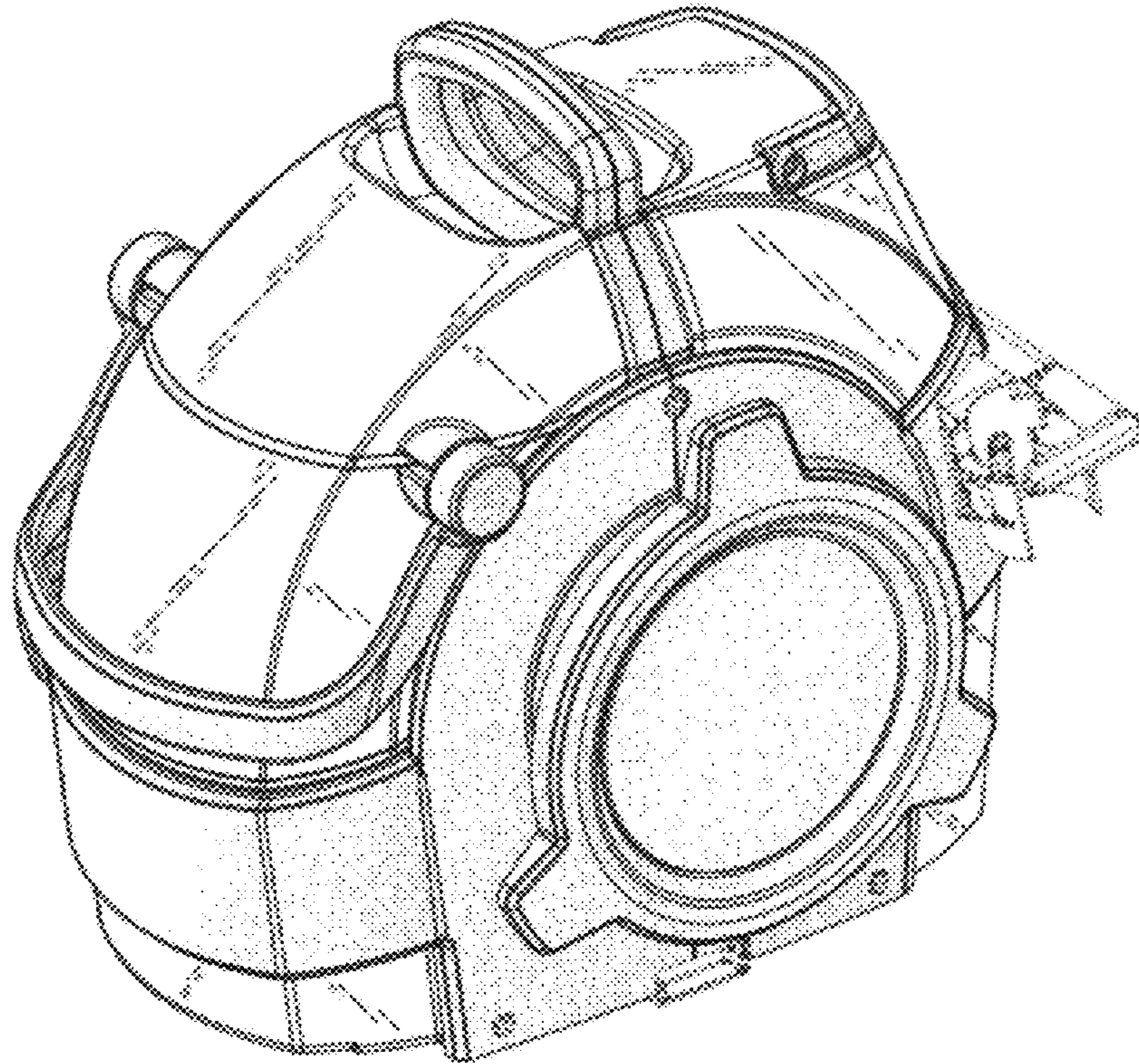


Fig. 1

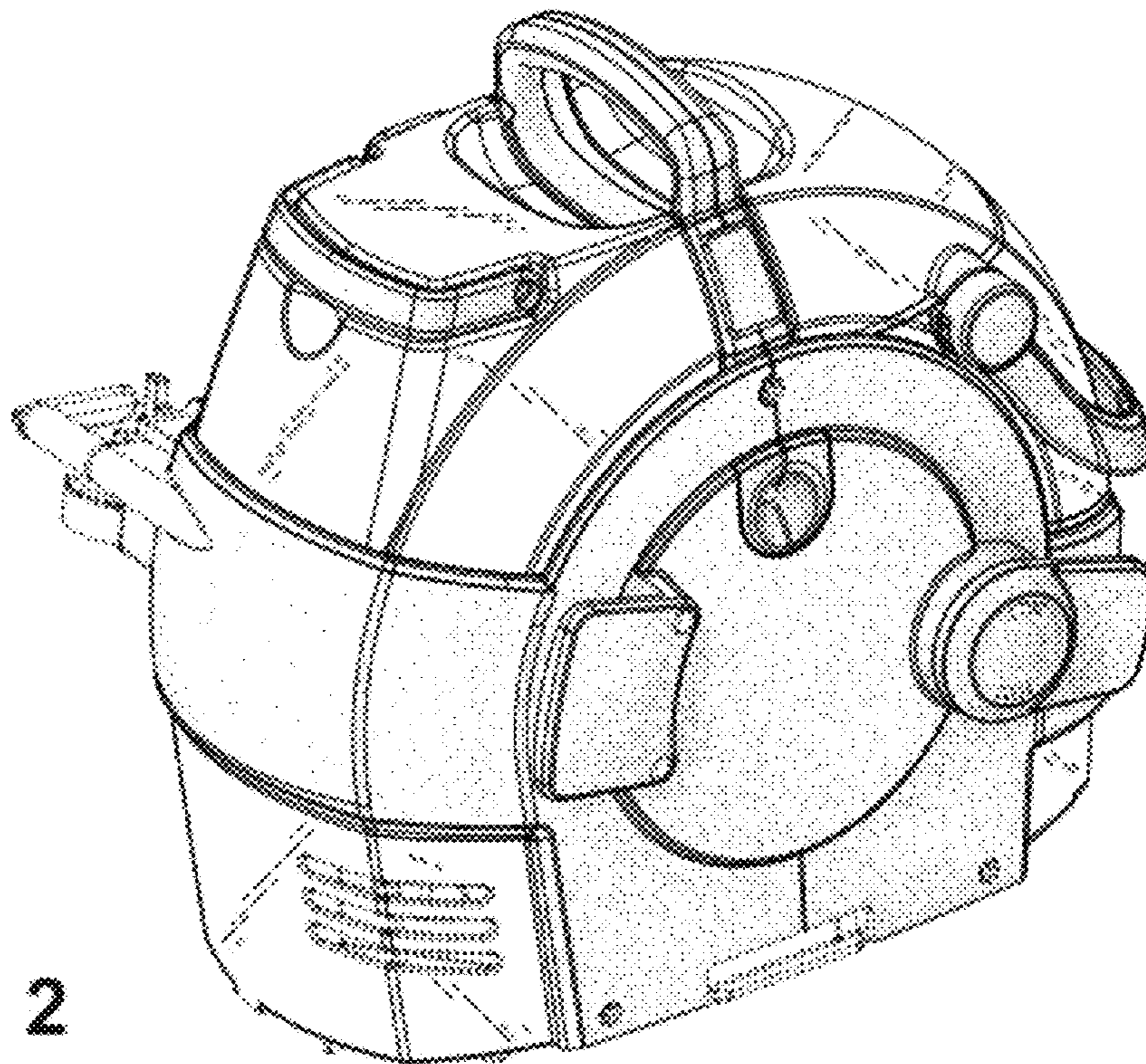


Fig. 2

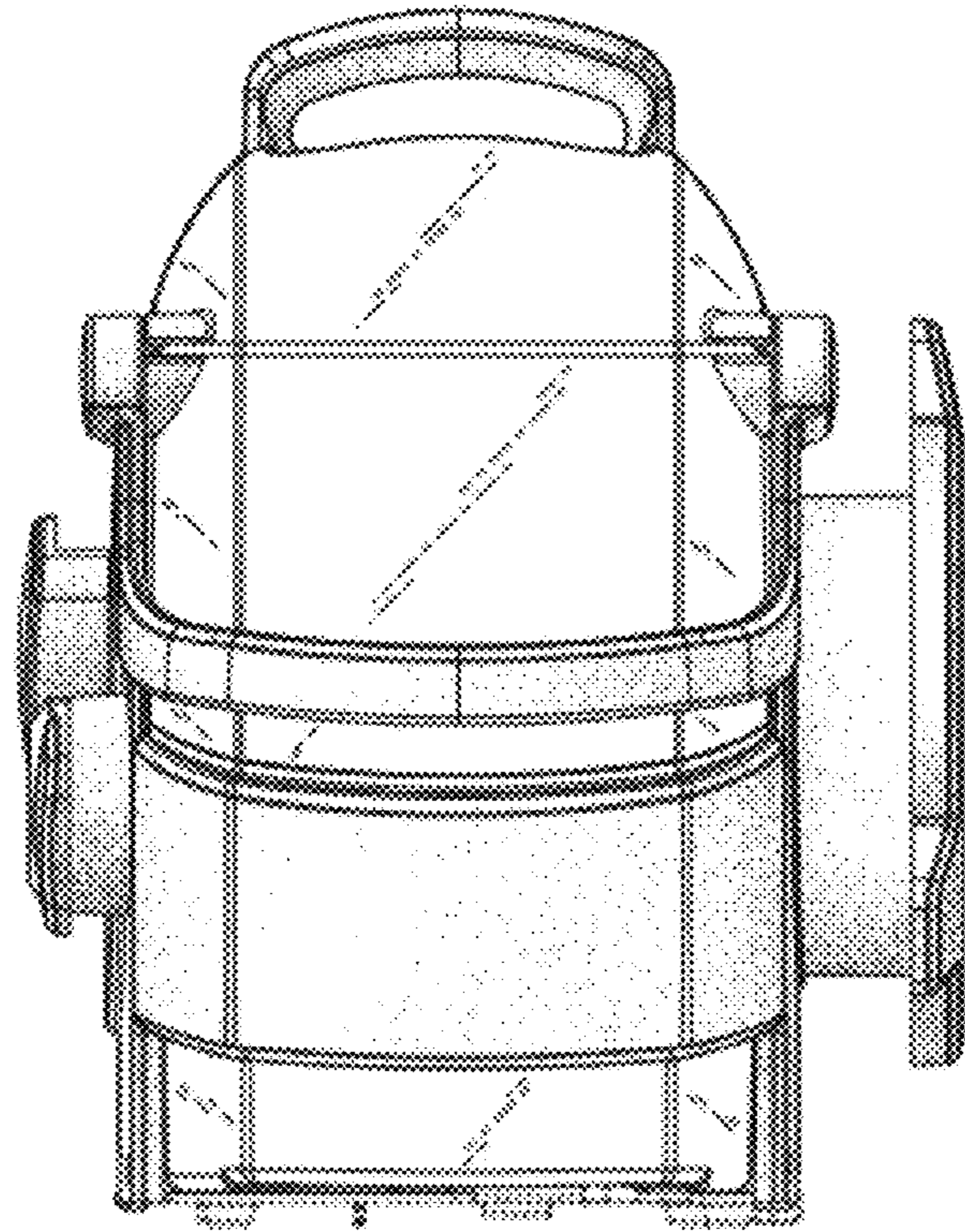


Fig. 3

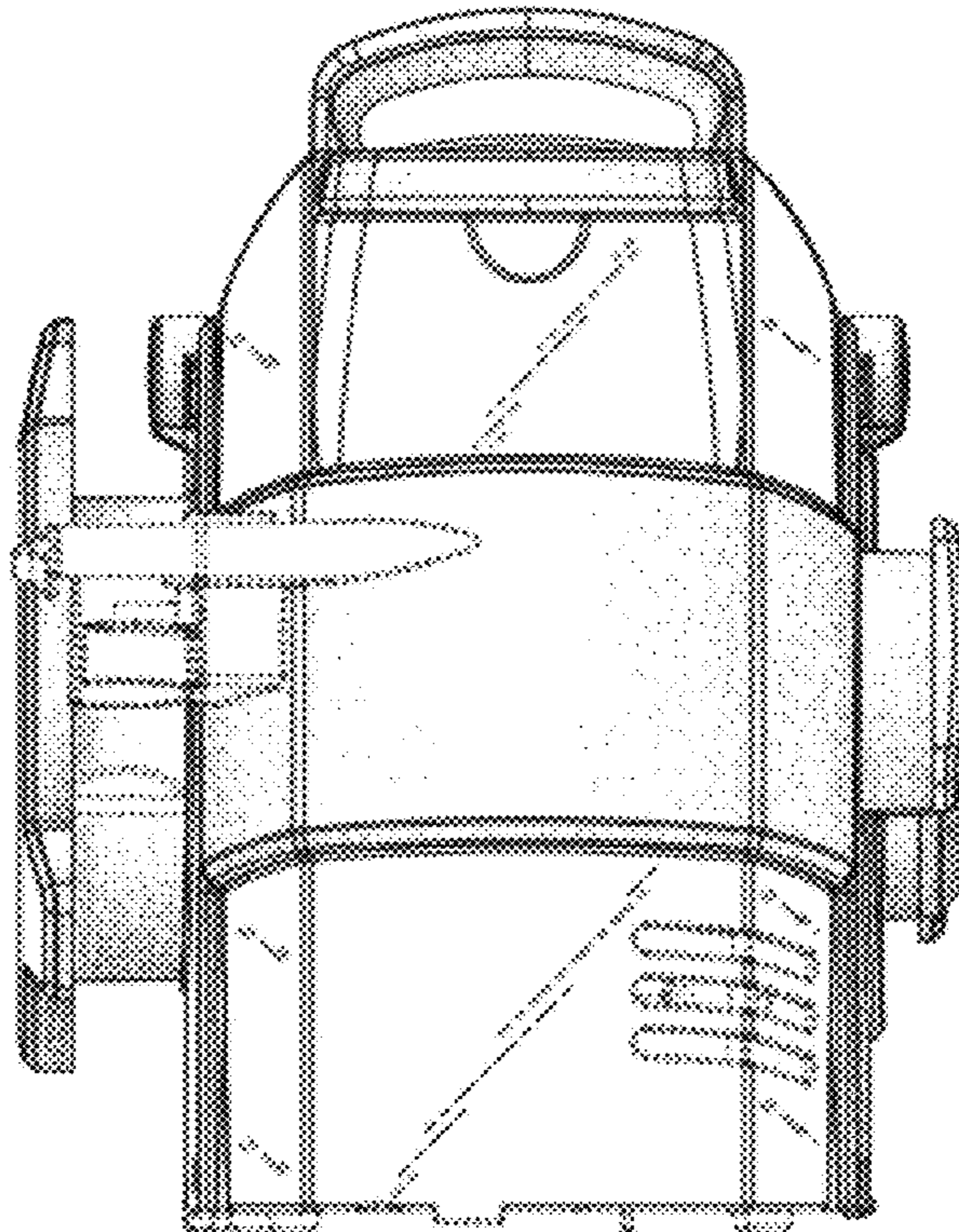


Fig. 4

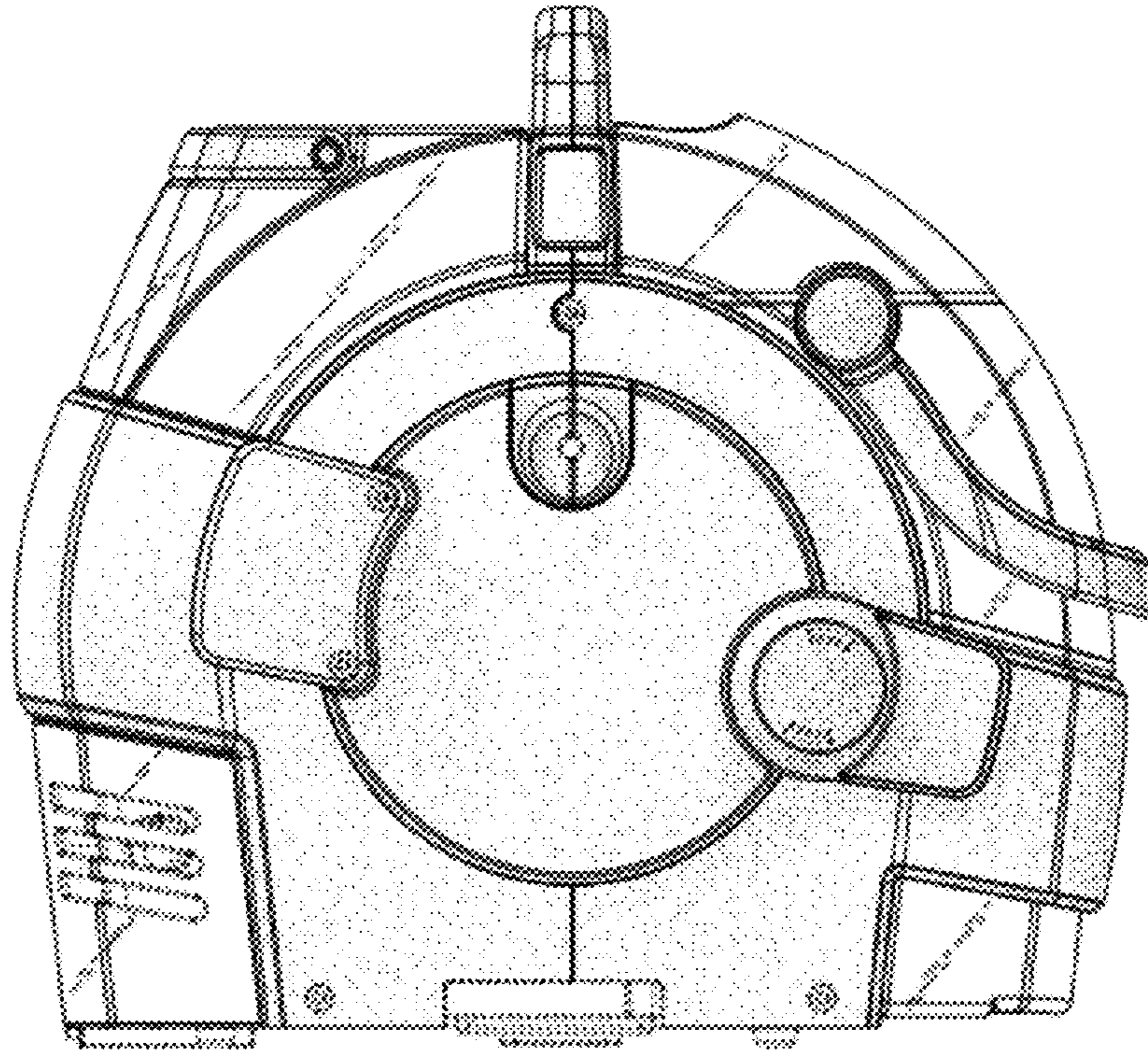


Fig. 5

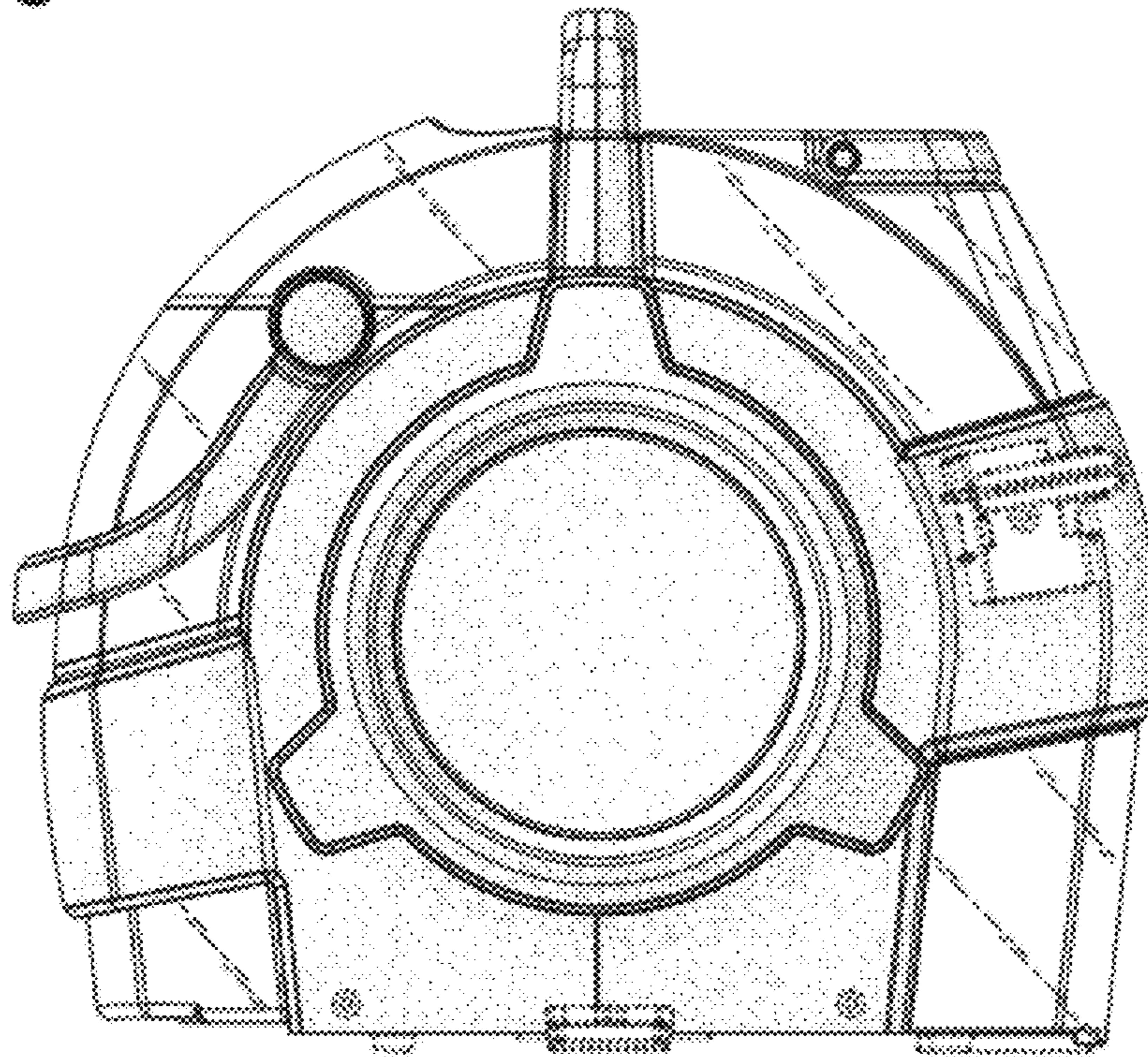


Fig. 6

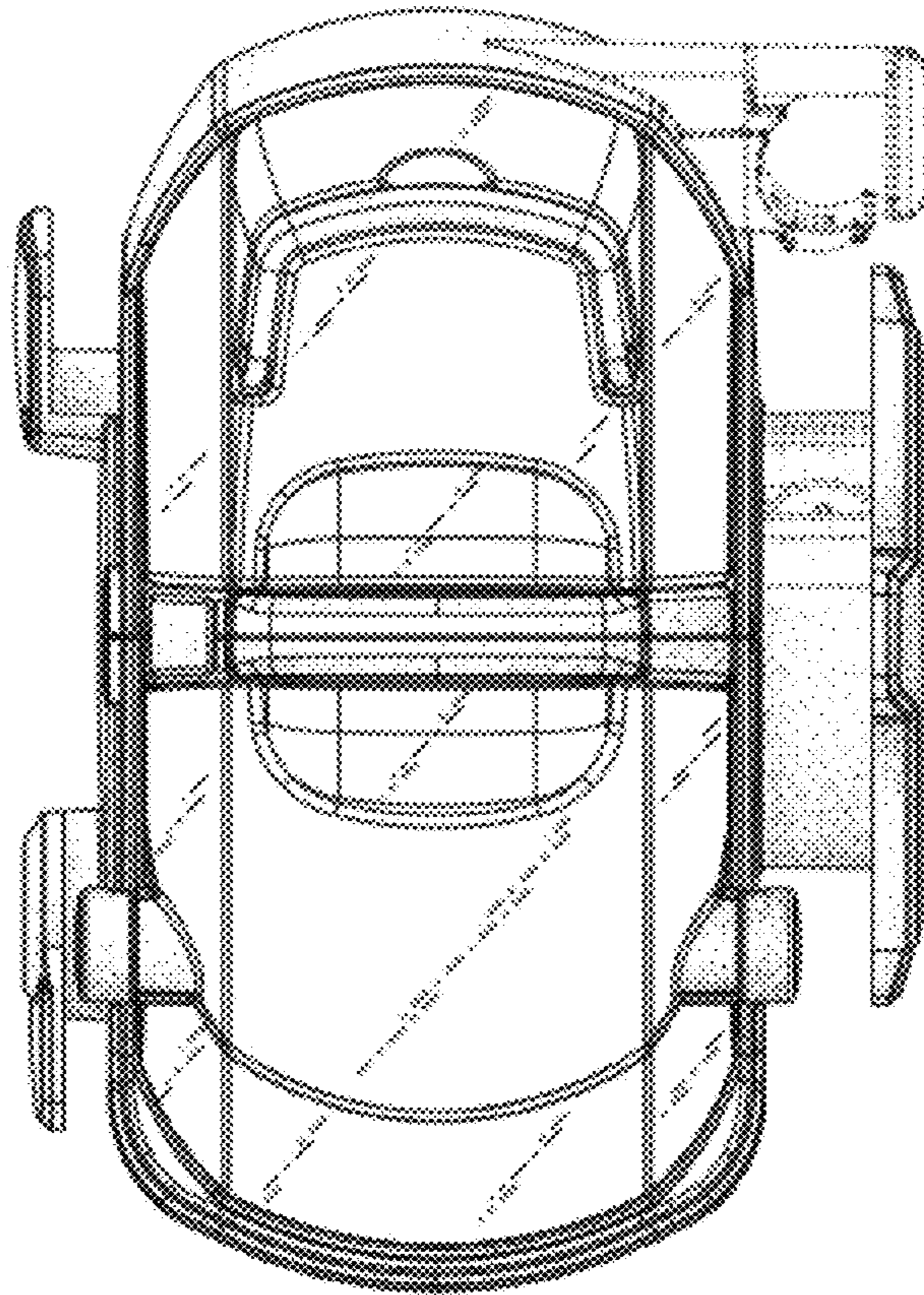


Fig. 7

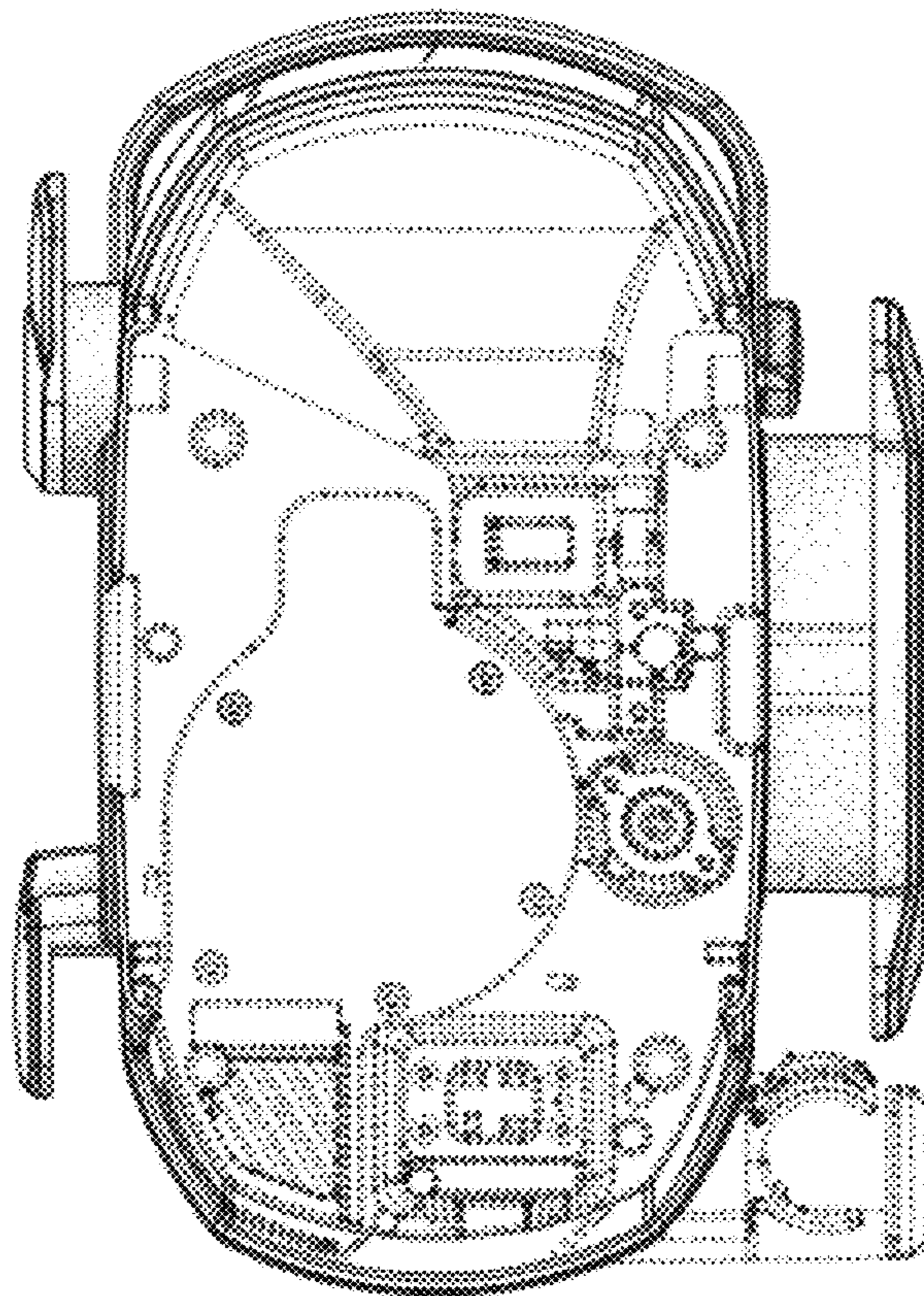


Fig. 8