

US00D660530S

(12) **United States Design Patent**
Geringer et al.

(10) **Patent No.:** **US D660,530 S**

(45) **Date of Patent:** **** May 22, 2012**

(54) **ROBOT VACUUM CLEANER**

(75) Inventors: **Joseph Geringer**, Merrimack, NH (US);
Richard Watson, Norwell, MA (US);
Jason Cooper, Watertown, MA (US)

(73) Assignee: **iRobert Corporation**, Bedford, MA (US)

(**) **Term:** **14 Years**

(21) **Appl. No.:** **29/382,285**

(22) **Filed:** **Dec. 30, 2010**

(51) **LOC (9) Cl.** **15-05**

(52) **U.S. Cl.** **D32/21**

(58) **Field of Classification Search** D32/21,
D32/31; 701/25, 23, 200; 15/319, 307, 347,
15/4, 340.11, 46; 901/1, 46; 700/25; 318/568.12,
318/568.16

See application file for complete search history.

(56) **References Cited**

U.S. PATENT DOCUMENTS

D233,213	S	10/1974	Anderson	
5,050,264	A	9/1991	Breslin	
D367,622	S	3/1996	DeWitt	
D375,592	S	11/1996	Ljunggren	
D422,521	S	4/2000	Morrow	
D474,312	S	5/2003	Stephens et al.	
D478,697	S	8/2003	Song	
D503,251	S	3/2005	Christianson	
D524,495	S	7/2006	Ljunggren	
D526,753	S	8/2006	Tani et al.	
D527,854	S *	9/2006	Marzynski	D32/21
D539,996	S	4/2007	Owens	
D548,902	S *	8/2007	Chun et al.	D32/21
D548,903	S *	8/2007	Chun et al.	D32/21
7,251,853	B2	8/2007	Park et al.	
D556,961	S *	12/2007	Swyst et al.	D32/21
D586,959	S *	2/2009	Geringer et al.	D32/21
D596,815	S *	7/2009	Baek	D32/21
7,861,366	B2 *	1/2011	Hahm et al.	15/319
2005/0217042	A1	10/2005	Reindle	
2006/0196003	A1	9/2006	Song et al.	
2006/0230514	A1	10/2006	Meincke	

2006/0288519	A1	12/2006	Jaworski et al.	
2007/0244610	A1 *	10/2007	Ozick et al.	701/23
2008/0201895	A1	8/2008	Kim et al.	
2008/0235897	A1 *	10/2008	Kim et al.	15/319
2008/0282494	A1 *	11/2008	Won et al.	15/319
2011/0010873	A1 *	1/2011	Kim et al.	15/4

OTHER PUBLICATIONS

Advertisement—UAMA (Asia) Industrial Co., Ltd., Robot Family (RV-2, RV-7, RV-9, RV-10, RV-11) (1 page).

Internet Product Advertisement, Global Sources, Matsutek Enterprises Co., Ltd. Automatic Recharheable (sic) Vacuum Cleaner, pp. 1-3, Retrieved on Apr. 23, 2007, <http://matsutek.manufacturing.globalsources.com/si/6008801427181/pdtl/Home-vacuum/10...>

Advertisement—RoboKing Commercial Robot, 4 pages.

Device AA—Commercial Robot, 2 drawings.

Device AB 13 Commercial Robot, 2 drawings.

Device AC—Commercial Robot, 3 drawings.

Device AD—Commercial Robot, 2 drawings.

Device AE—Commercial Robot, 1 drawing.

Device AF—Commercial Robot, 1 drawing.

Device AG—Commercial Robot, 2 drawings.

Device AH—Commercial Robot, 3 drawings.

Device AI—Commercial Robot, 4 drawings.

Device AJ—Commercial Robot, 1 drawing.

Device AK—Commercial Robot, 1 drawing.

(Continued)

Primary Examiner — Ruth McInroy

(74) *Attorney, Agent, or Firm* — Fish & Richardson P.C.

(57) **CLAIM**

The ornamental design for a robot vacuum cleaner, as shown and described.

DESCRIPTION

FIG. 1. is a perspective view of the robot vacuum cleaner.

FIG. 2 is a rear view thereof.

FIG. 3 is a front view thereof.

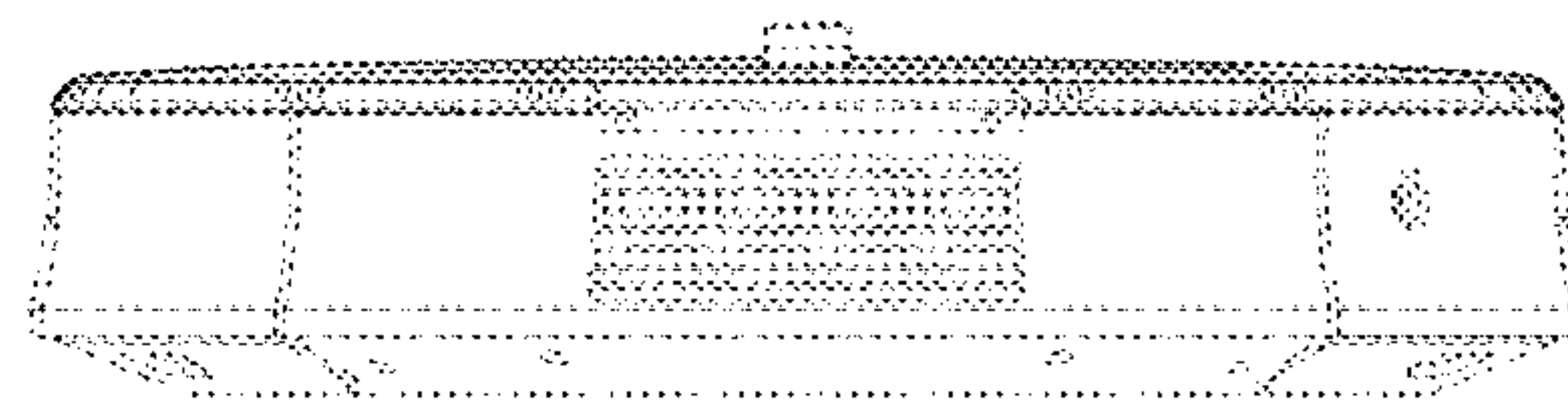
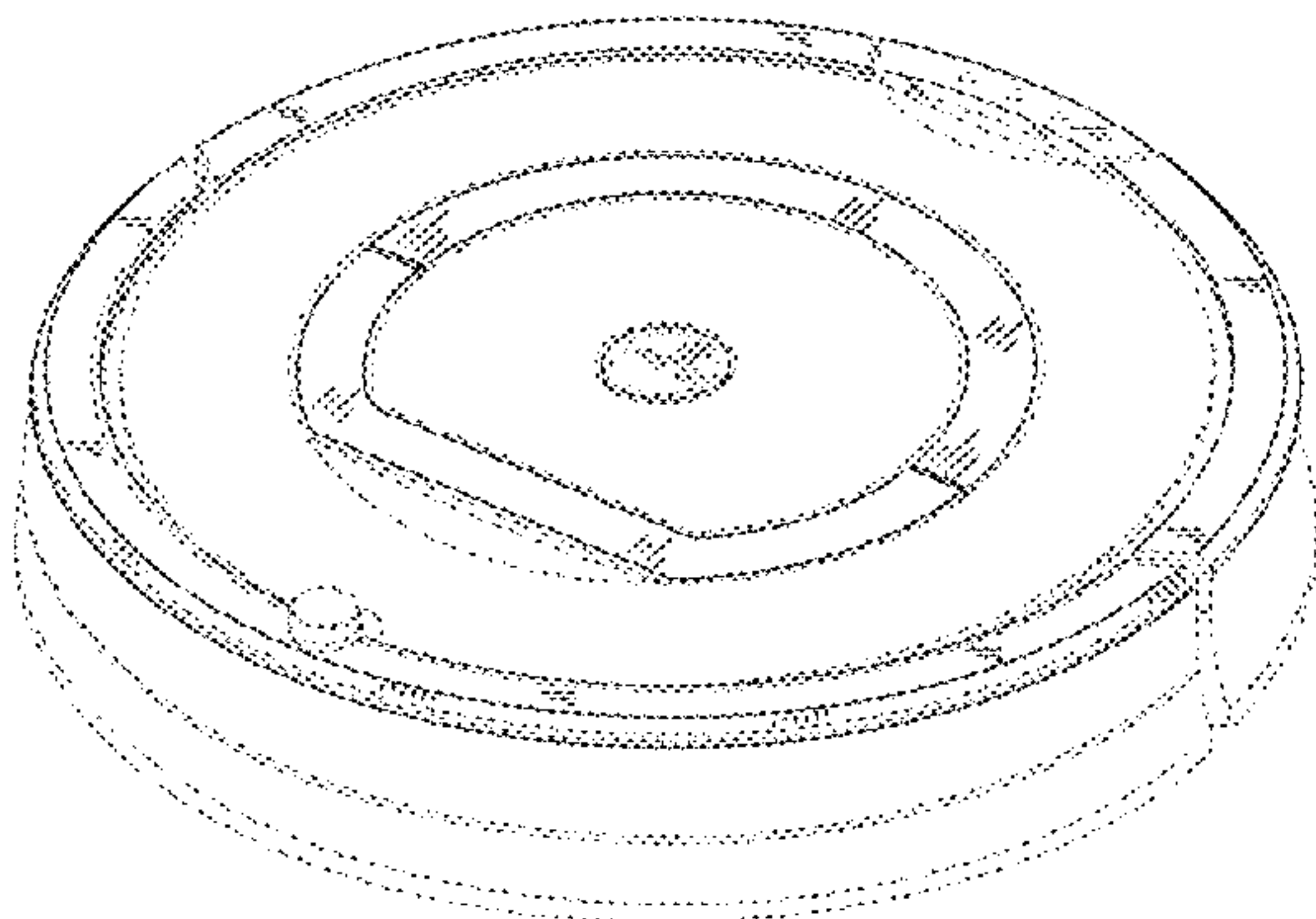
FIG. 4 is a right side view thereof.

FIG. 5 is a left side view thereof.

FIG. 6 is a top view thereof; and,

FIG. 7 is a bottom view thereof.

1 Claim, 5 Drawing Sheets



OTHER PUBLICATIONS

Device AL—Commercial Robot, 1 drawing.
Device AM—Commercial Robot, 1 drawing.
Device AN—Commercial Robot, 4 drawings.
Device AO—Commercial Robot, 2 drawings.
Device AP—Commercial Robot, 1 drawing.
Device AQ—Commercial Robot, 2 drawings.
Device AR—Commercial Robot, 3 drawings.
Device AS—Commercial Robot, 1 drawing.
Device AT—Commercial Robot, 1 drawing.
Device AU—Commercial Robot, 1 drawing.

Device AV—Commercial Robot, 1 drawing.
Device AW—Commercial Robot, 1 drawing.
Device AX—Commercial Robot, 1 drawing.
Device AY—Commercial Robot, 1 drawing.
Device AZ—Commercial Robot, 1 drawing.
Device BA—Commercial Robot, 1 drawing.
Device BB—Commercial Robot, 1 drawing.
Device BC—Commercial Robot, 1 drawing.
Device BD—Commercial Robot, 1 drawing.
Device BE—Commercial Robot, 1 drawing.
Device BF—Commercial Robot, 1 drawing.

* cited by examiner

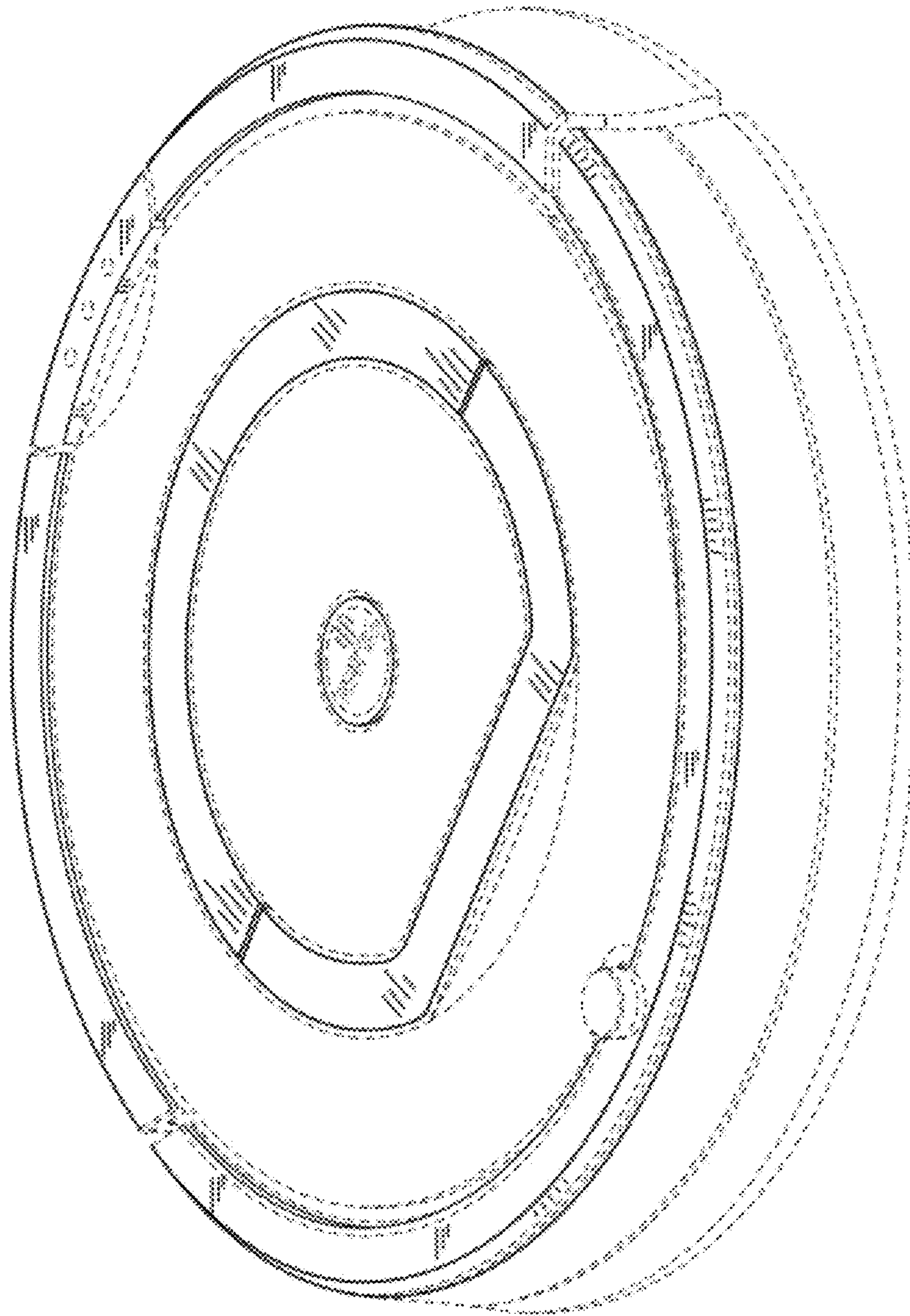


FIG. 1

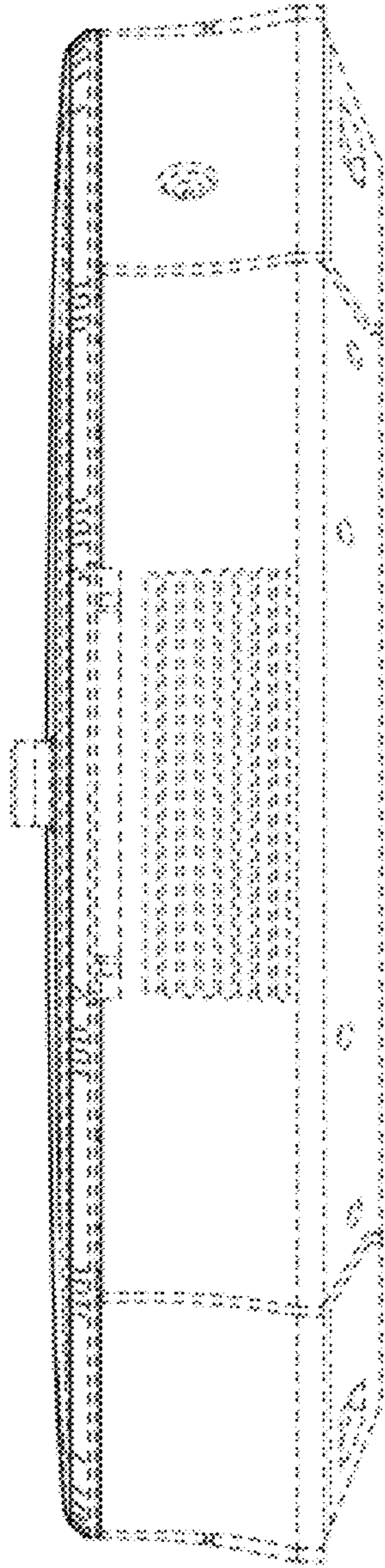


FIG. 2

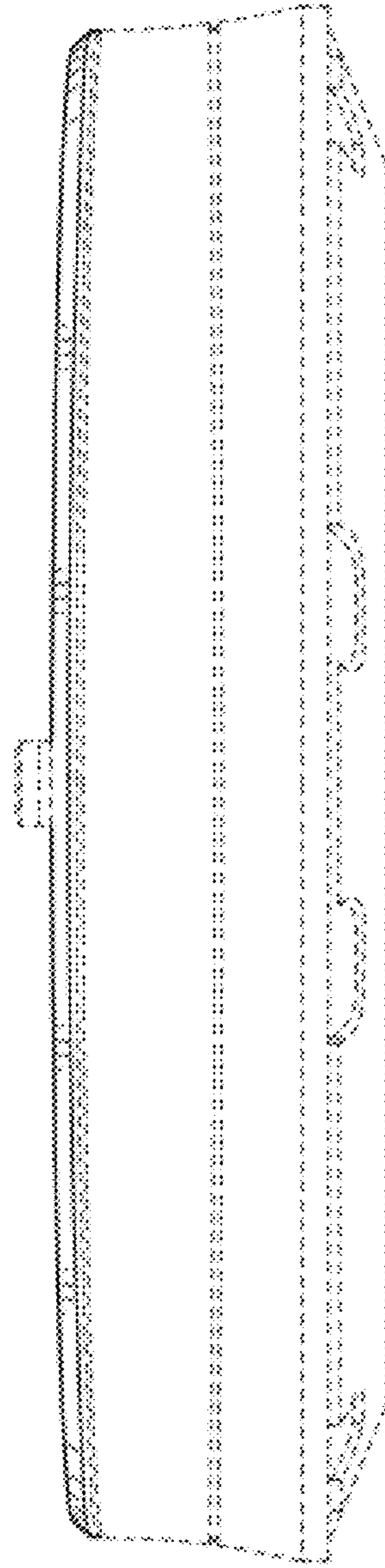


FIG. 3

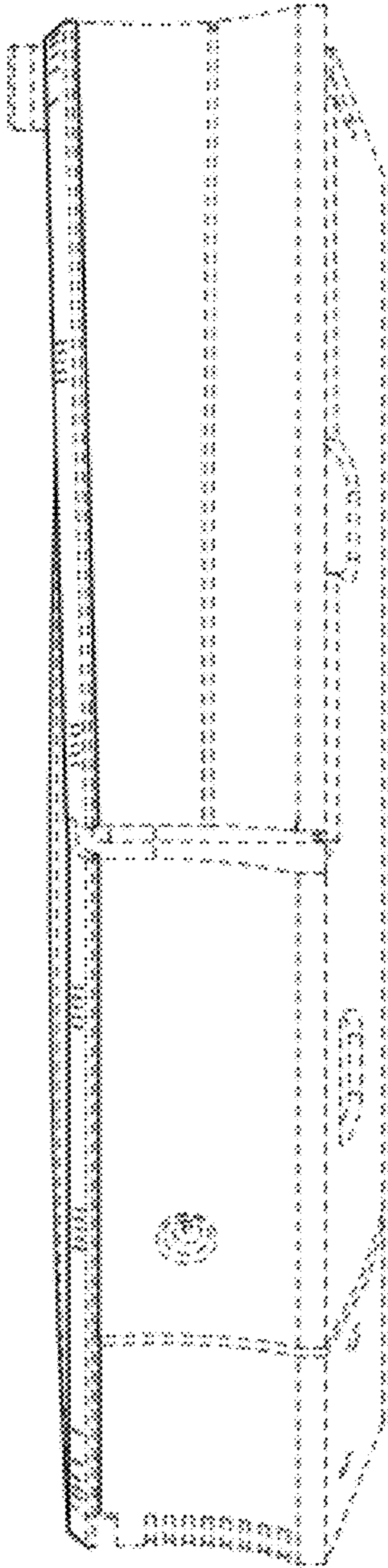


FIG. 4

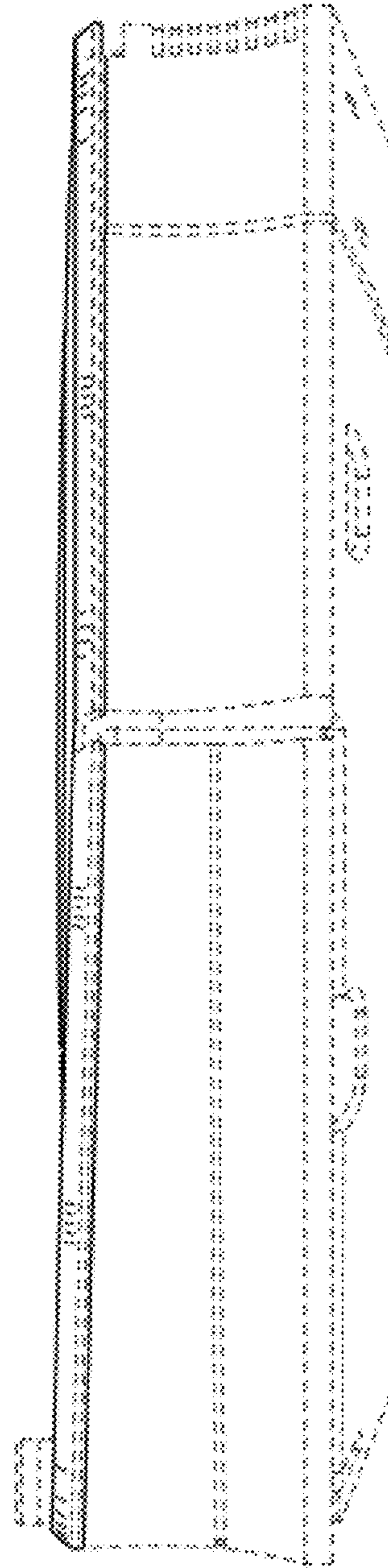


FIG. 5

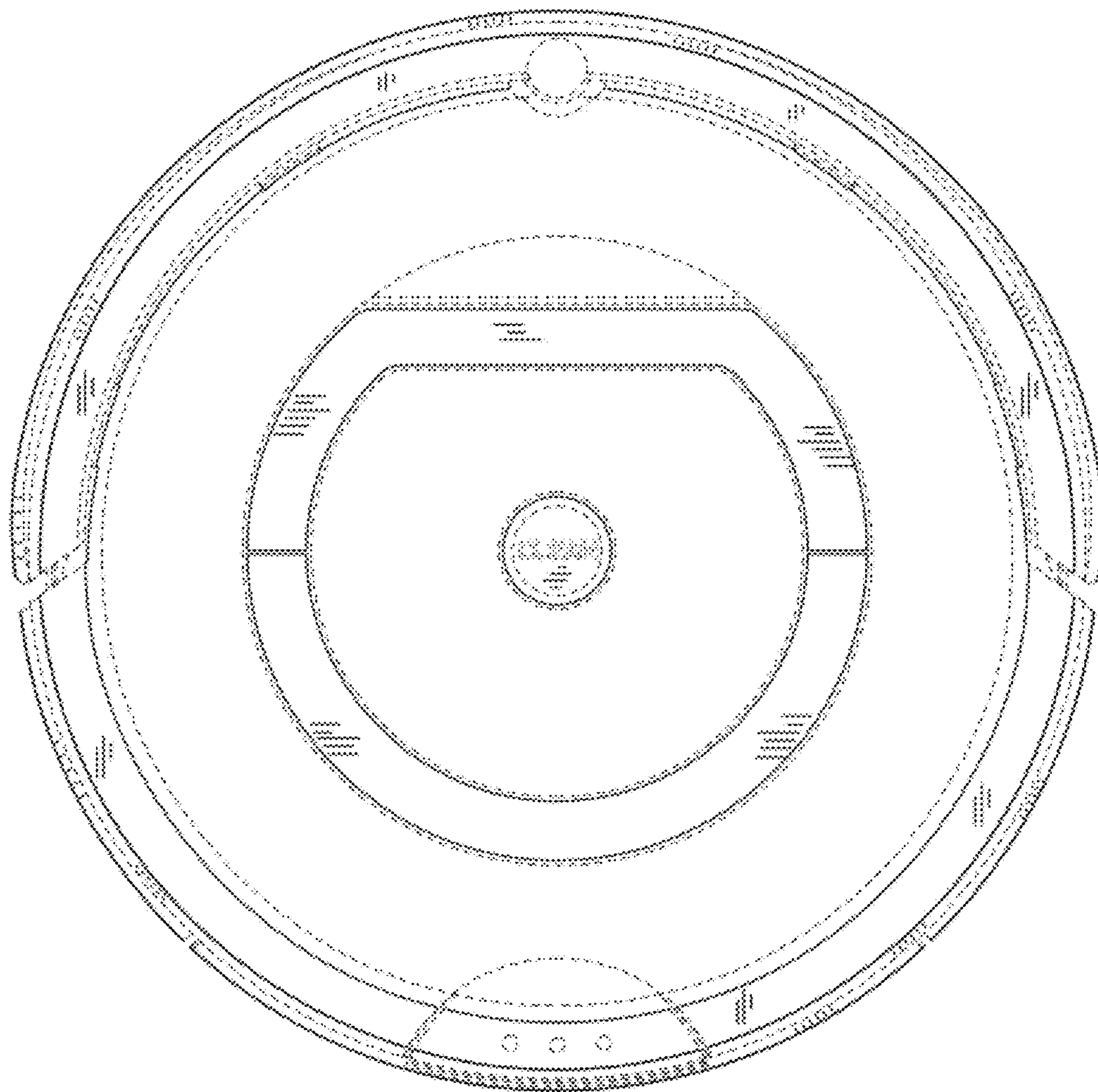


FIG. 6

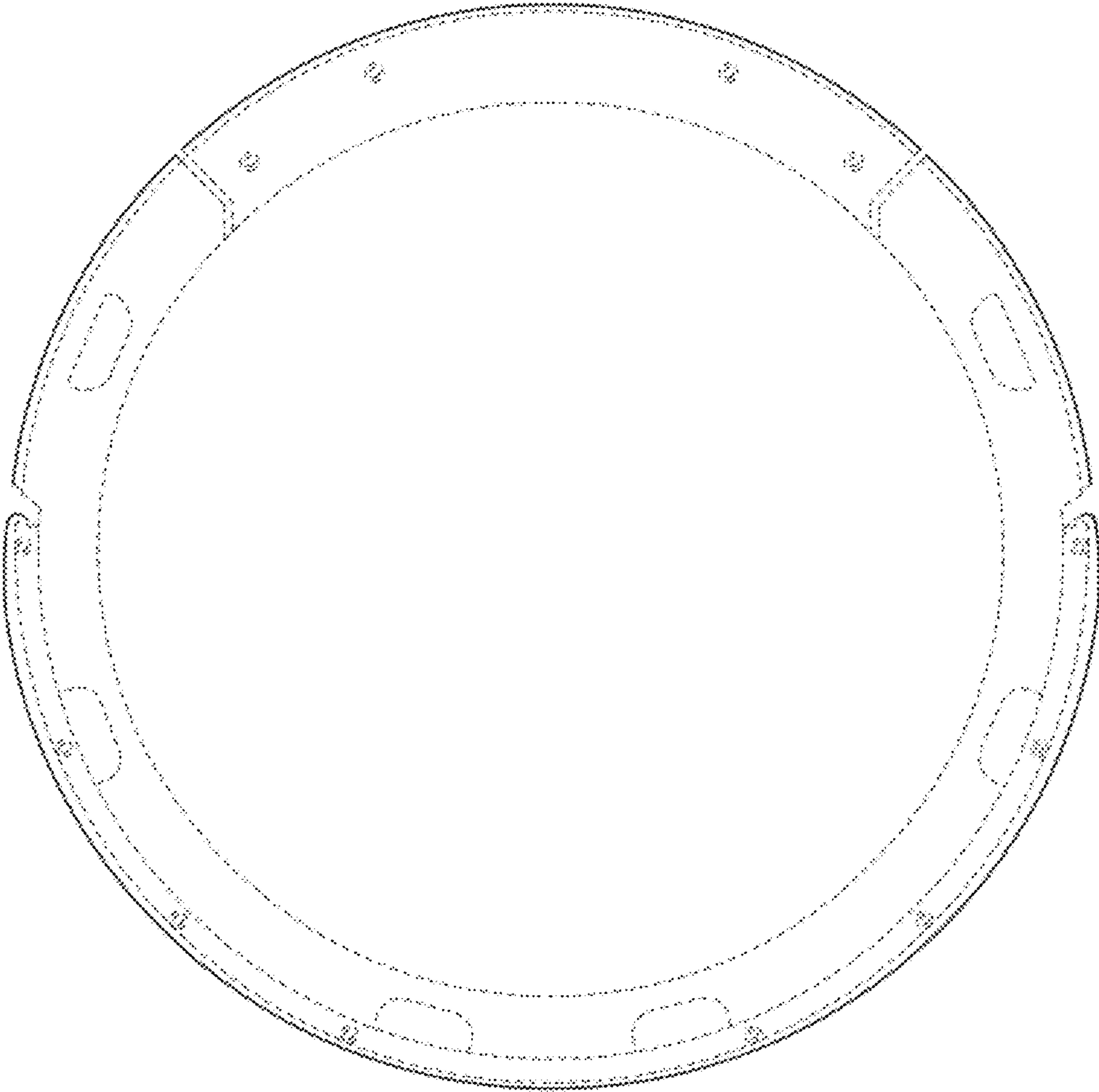


FIG. 7