



US00D660529S

(12) **United States Design Patent**
Dammkoehler et al.

(10) **Patent No.:** **US D660,529 S**
(45) **Date of Patent:** **** May 22, 2012**

(54) **VACUUM CLEANER**

(75) Inventors: **Denis Dammkoehler**, Backnang (DE);
Zheyi Jin, Leutenbach (DE)

(73) Assignee: **Alfred Kaercher GmbH & Co. KG**,
Winnenden (DE)

(**) **Term:** **14 Years**

(21) **Appl. No.:** **29/372,608**

(22) **Filed:** **Dec. 13, 2010**

(30) **Foreign Application Priority Data**

Jul. 27, 2010 (WO) DM/074 162

(51) **LOC (9) Cl.** **15-05**

(52) **U.S. Cl.** **D32/21**

(58) **Field of Classification Search** D32/21,
D32/23-24, 30-31; 15/327.1-327, 7, 328,
15/340.1, 340.2, 353, 347, 301, 336, 320,
15/314, 352, 412; 55/447, 337, 345, DIG. 3
See application file for complete search history.

(56) **References Cited**

U.S. PATENT DOCUMENTS

D528,718 S *	9/2006	Tomasiak et al.	D32/21
D568,013 S *	4/2008	Crevling et al.	D32/23
D581,111 S *	11/2008	DiPasquale	D32/21
D581,608 S *	11/2008	Dammkoehler et al.	D32/21
D587,868 S *	3/2009	DiPasquale	D32/21
D615,258 S *	5/2010	Dammkoehler	D32/23

OTHER PUBLICATIONS

Extract from catalog of Alfred Kaercher GmbH & Co. KG,
“Programme 2006”, cover, pp. 135, 138-145 and last page (Dec.
2005).

Extract from catalog of Alfred Kaercher GmbH & Co. KG,
“Programme 2007”, cover, pp. 61, 63, 153, 155, 159-166 and last
page (Jan. 2007).

Extract from catalog of Alfred Kaercher GmbH & Co. KG,
“Programme 2008”, cover, pp. 65, 67, 159, 167-174 and last page
(Dec. 2007).

Extract from catalog of Alfred Kaercher GmbH & Co. KG,
“Programme 2009 Kaercher Professional Commercial”, cover, pp.
85-87, 94-101 and last page (Mar. 2009).

Extract from catalog of Alfred Kaercher GmbH & Co. KG,
“Programme 2009 Kaercher Residential”, cover, pp. 81, 83, 86-87
and last page (Mar. 2009).

Extract from catalog of Alfred Kaercher GmbH & Co. KG,
“Programme 2010 Kaercher Home & Garden”, cover, pp. 80-85, 89
and last page (Nov. 2009).

Extract from catalog of Alfred Kaercher GmbH & Co. KG,
“Programme 2010 Kaercher Professional”, cover, pp. 94-105 and last
page (Nov. 2009).

* cited by examiner

Primary Examiner — Ruth McInroy

(74) *Attorney, Agent, or Firm* — Lipsitz & McAllister, LLC

(57) **CLAIM**

The ornamental design for a vacuum cleaner, as shown and
described.

DESCRIPTION

FIG. 1 is a top, front and right side perspective view of a
vacuum cleaner showing our new design;

FIG. 2 is a top, front and left side perspective view thereof;

FIG. 3 is a front elevational view thereof;

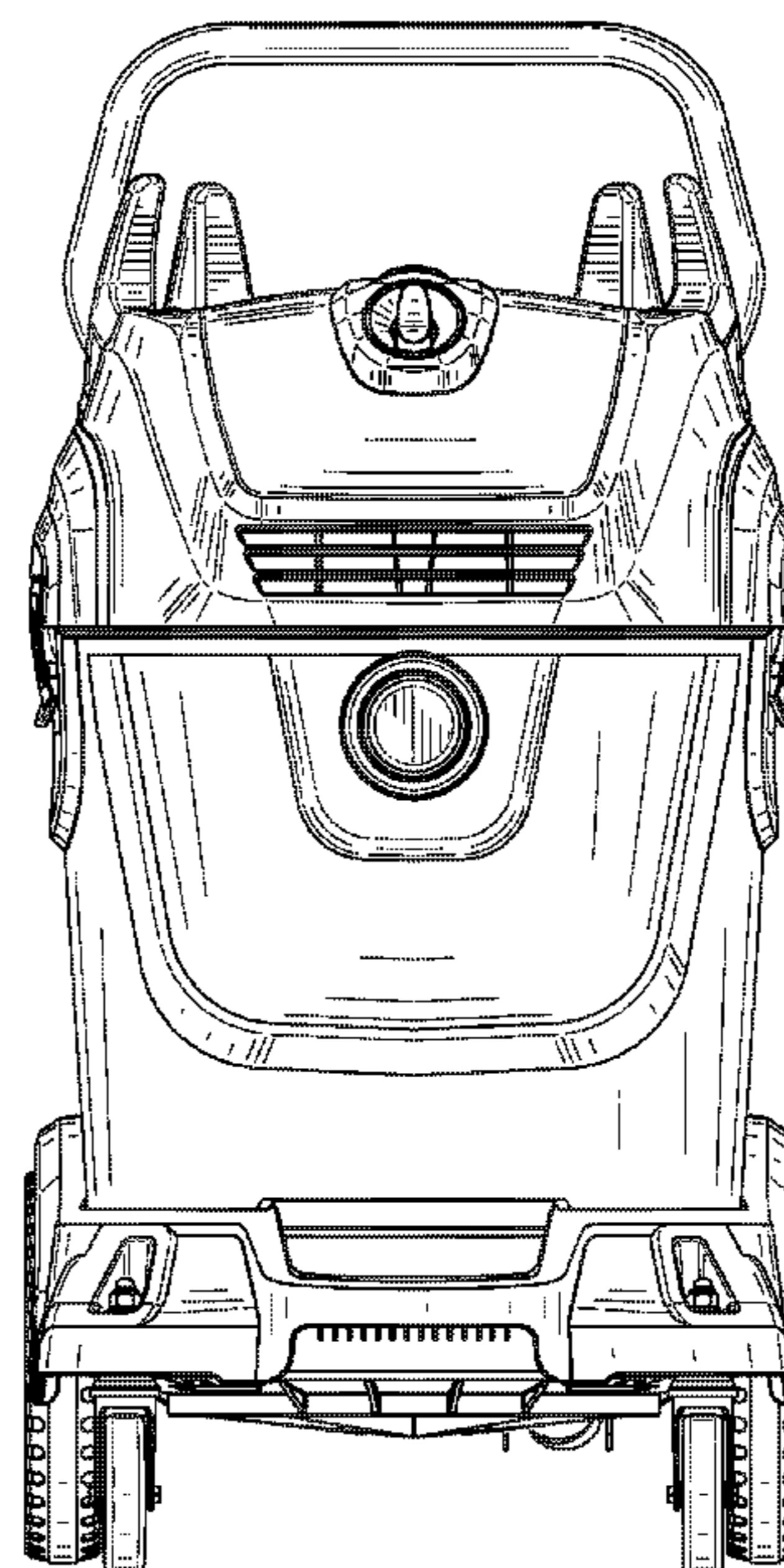
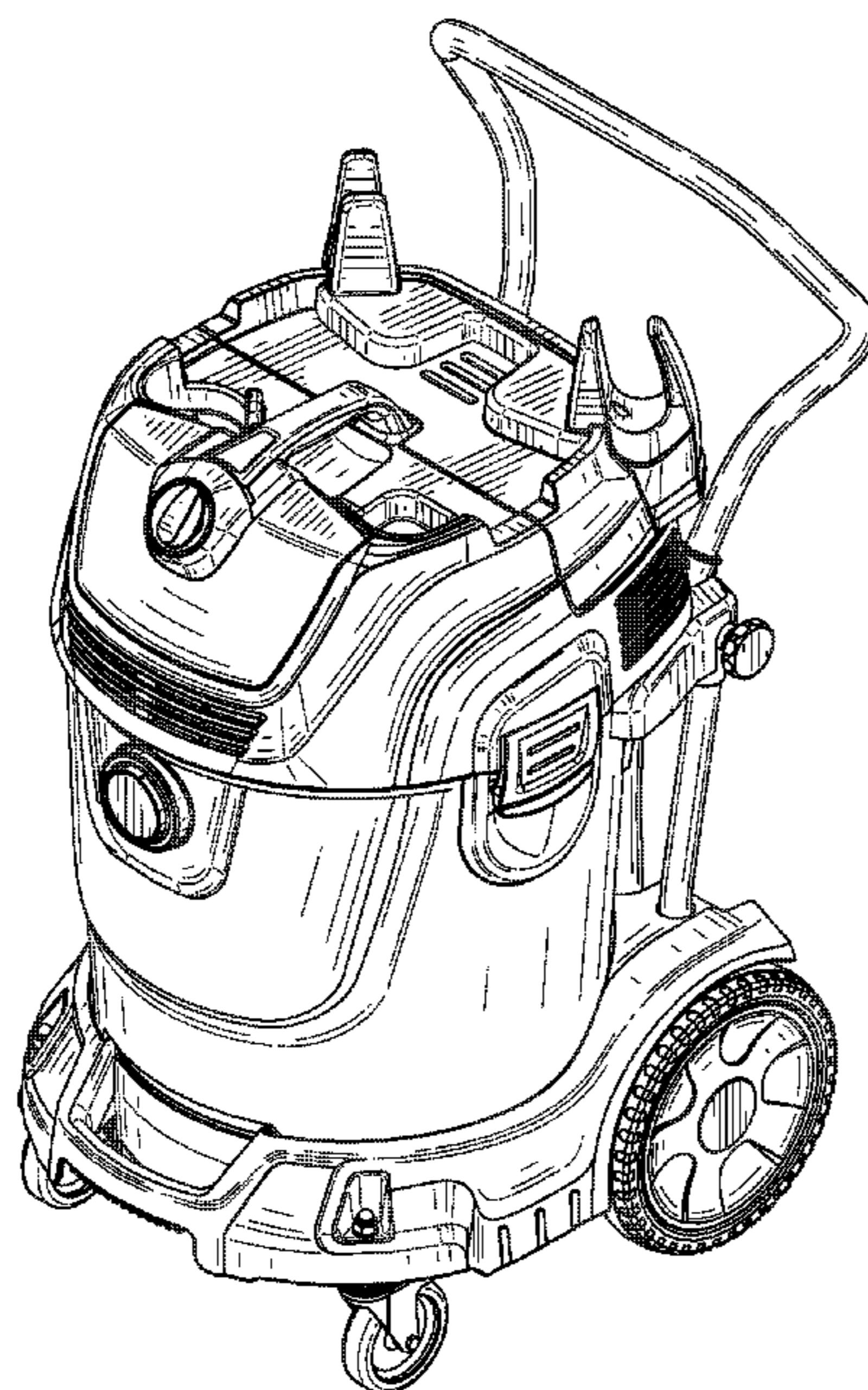
FIG. 4 is a right side elevational view thereof;

FIG. 5 is a rear elevational view thereof;

FIG. 6 is a left side elevational view thereof; and,

FIG. 7 is a top plan view thereof.

1 Claim, 7 Drawing Sheets



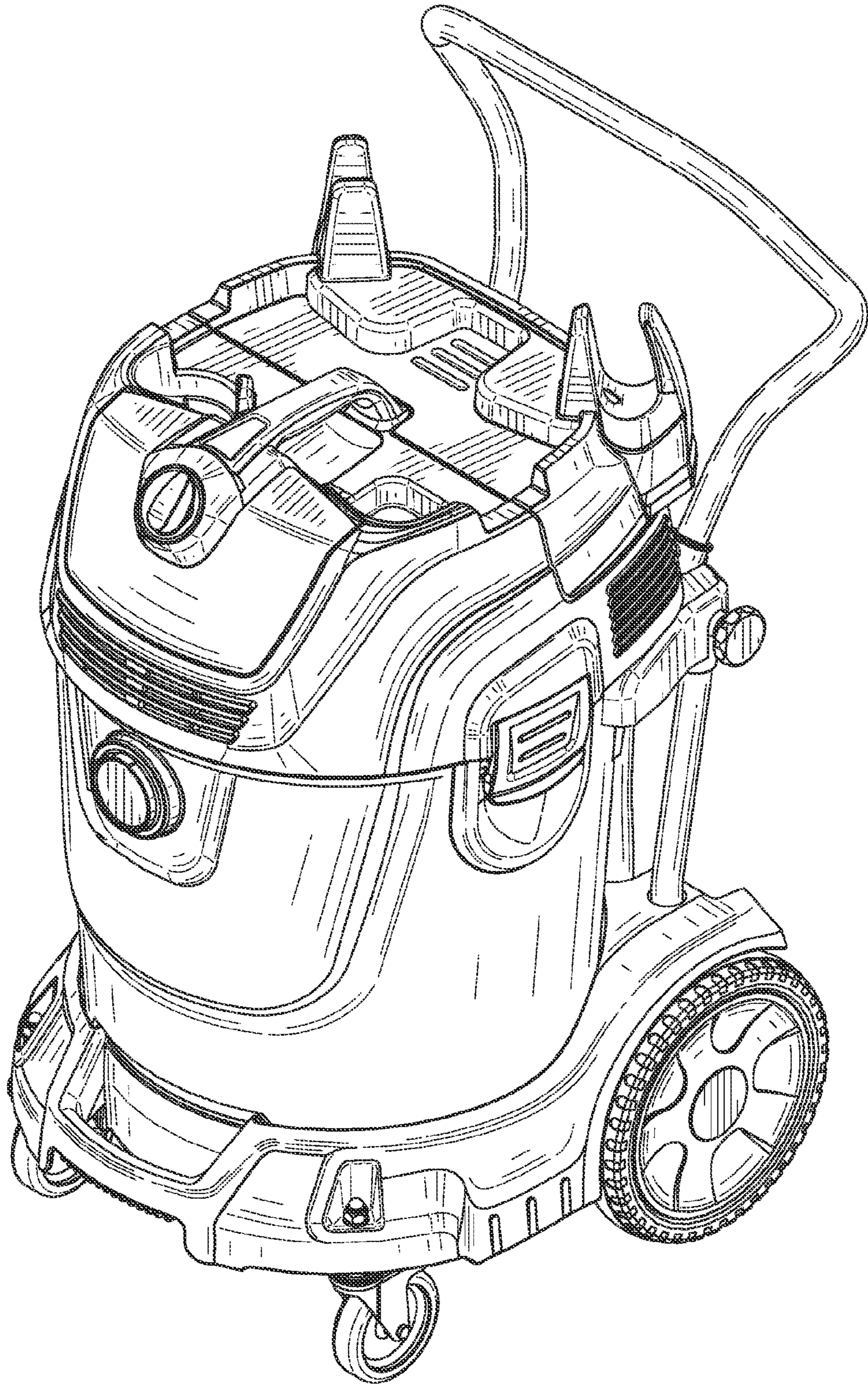


FIG. 1

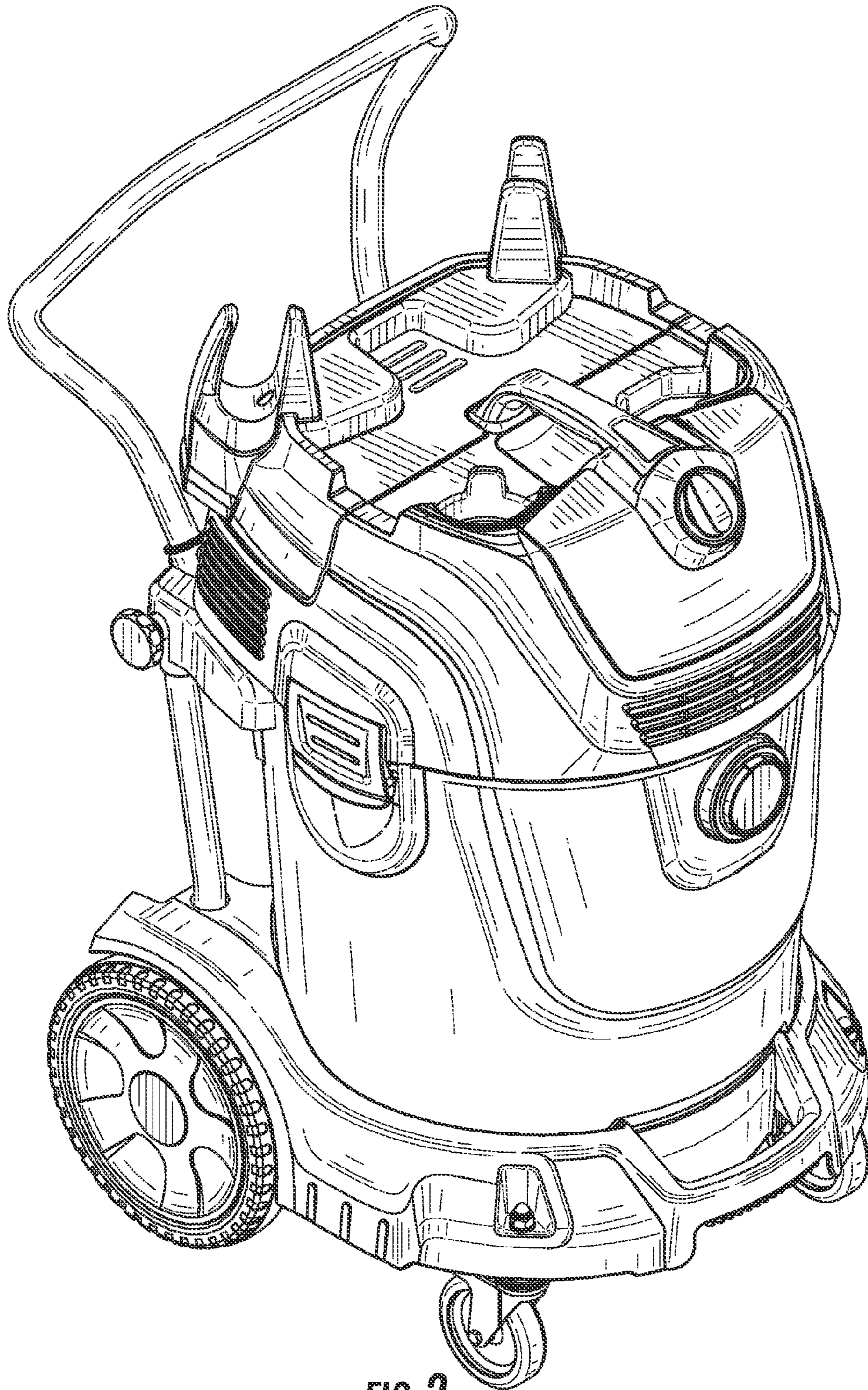


FIG. 2

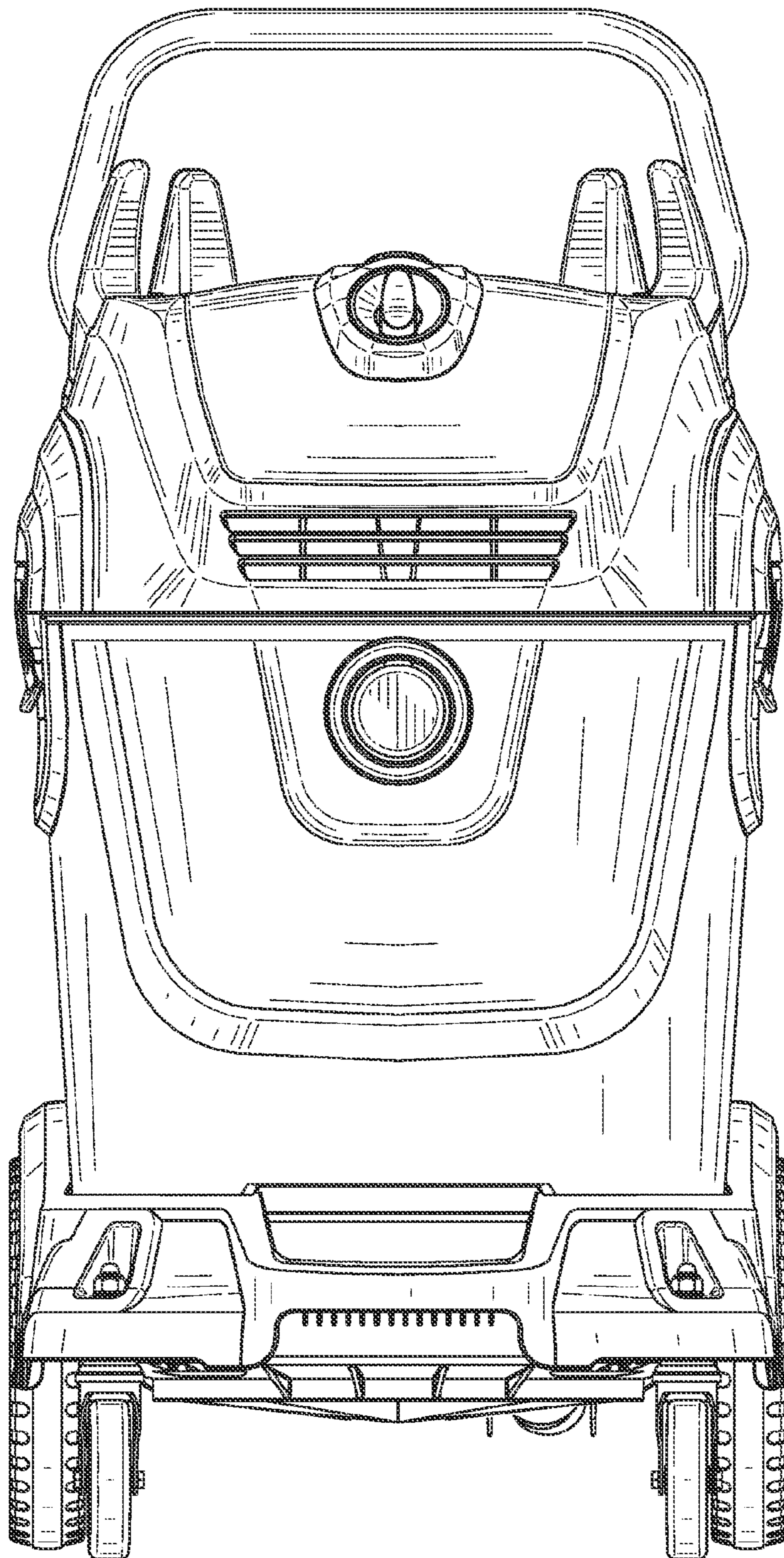


FIG. 3

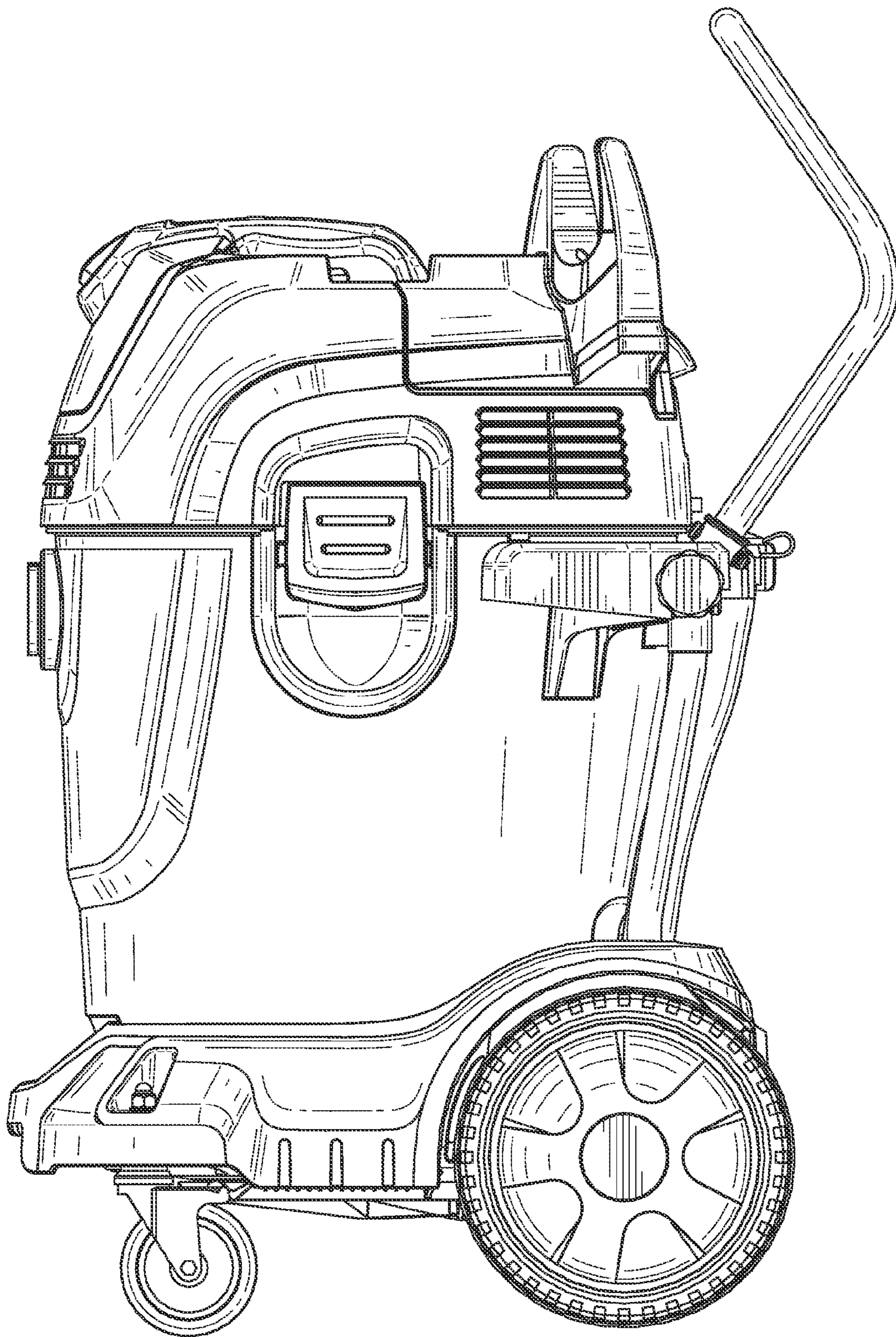


FIG. 4

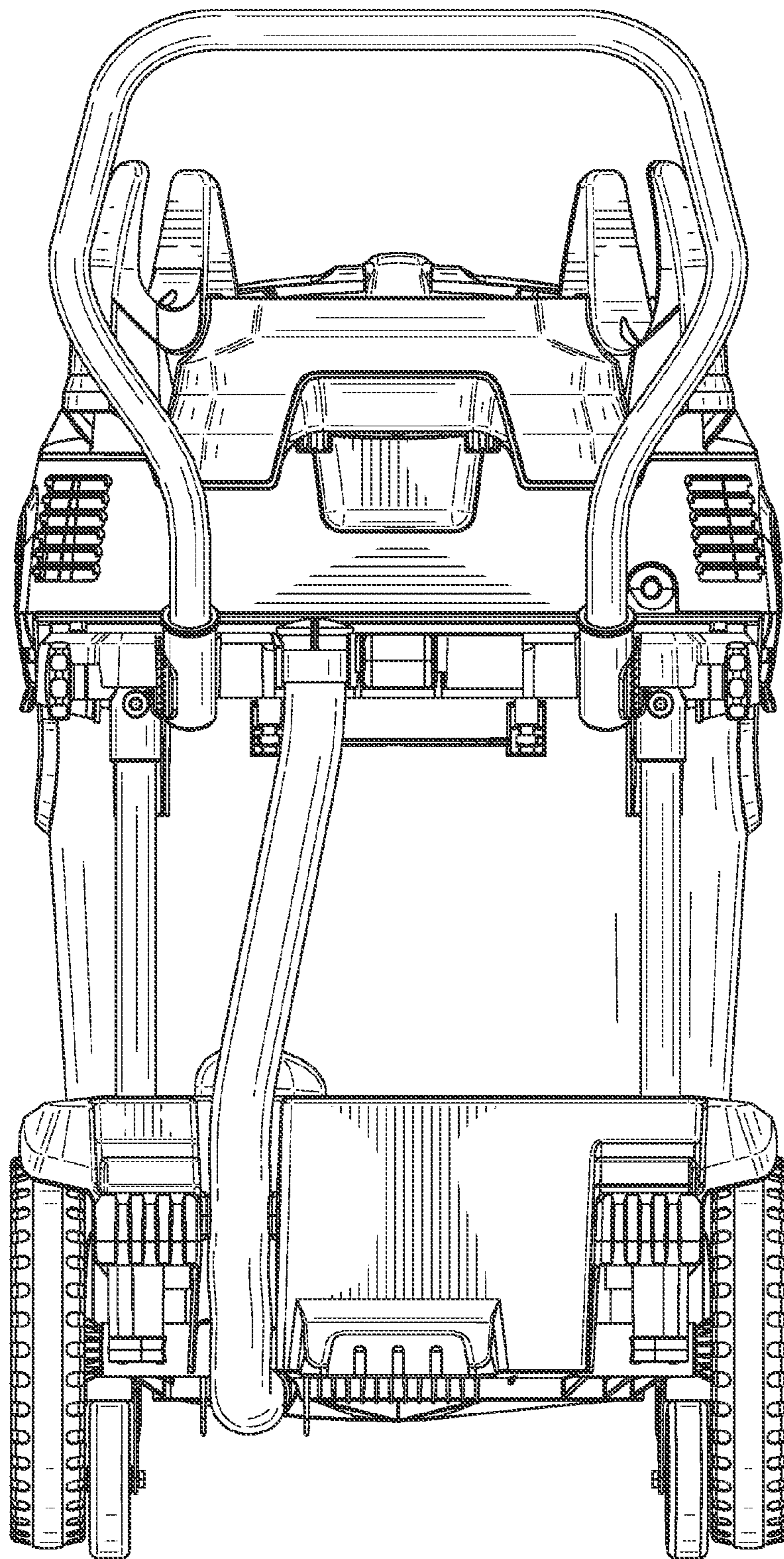


FIG. 5

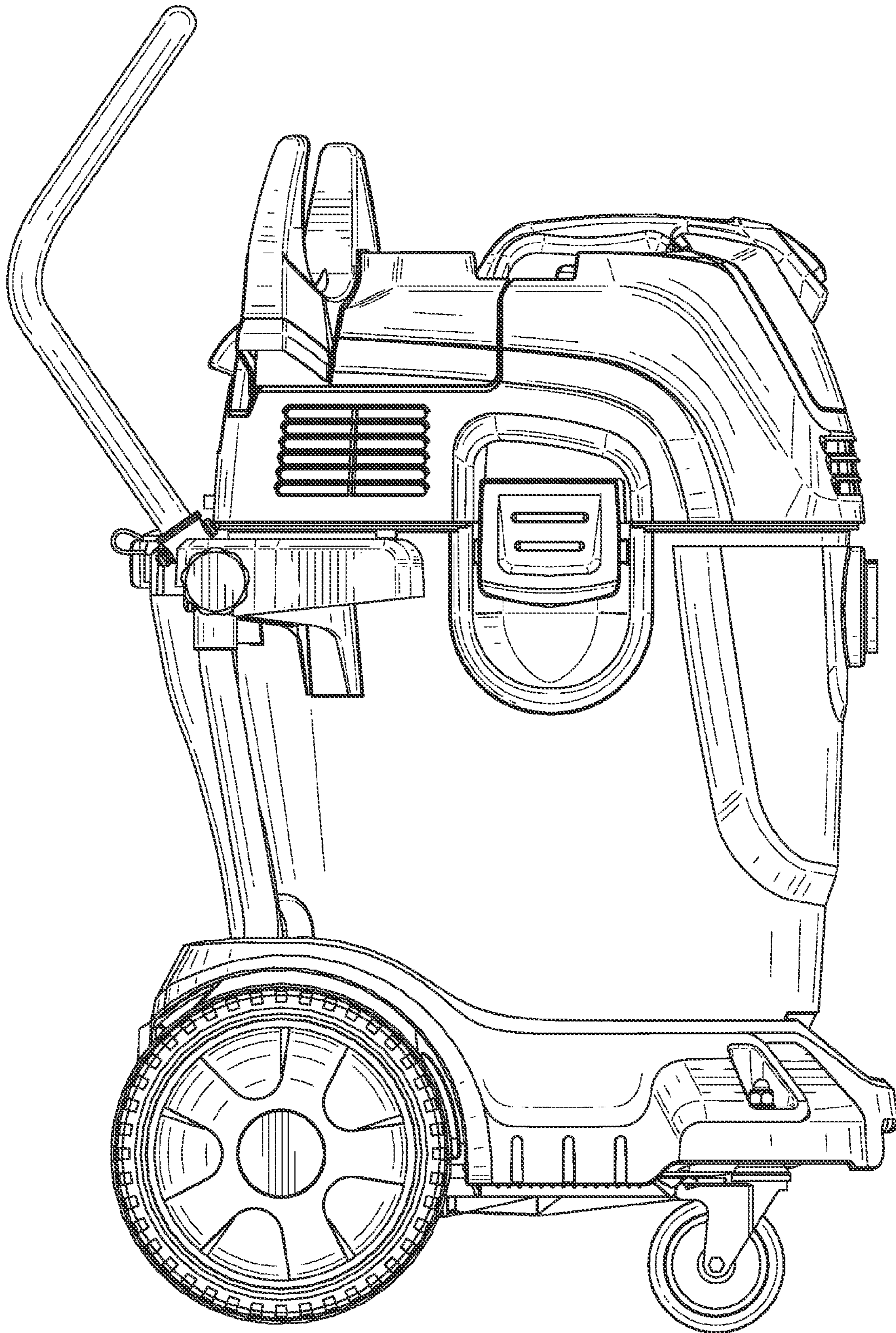


FIG. 6

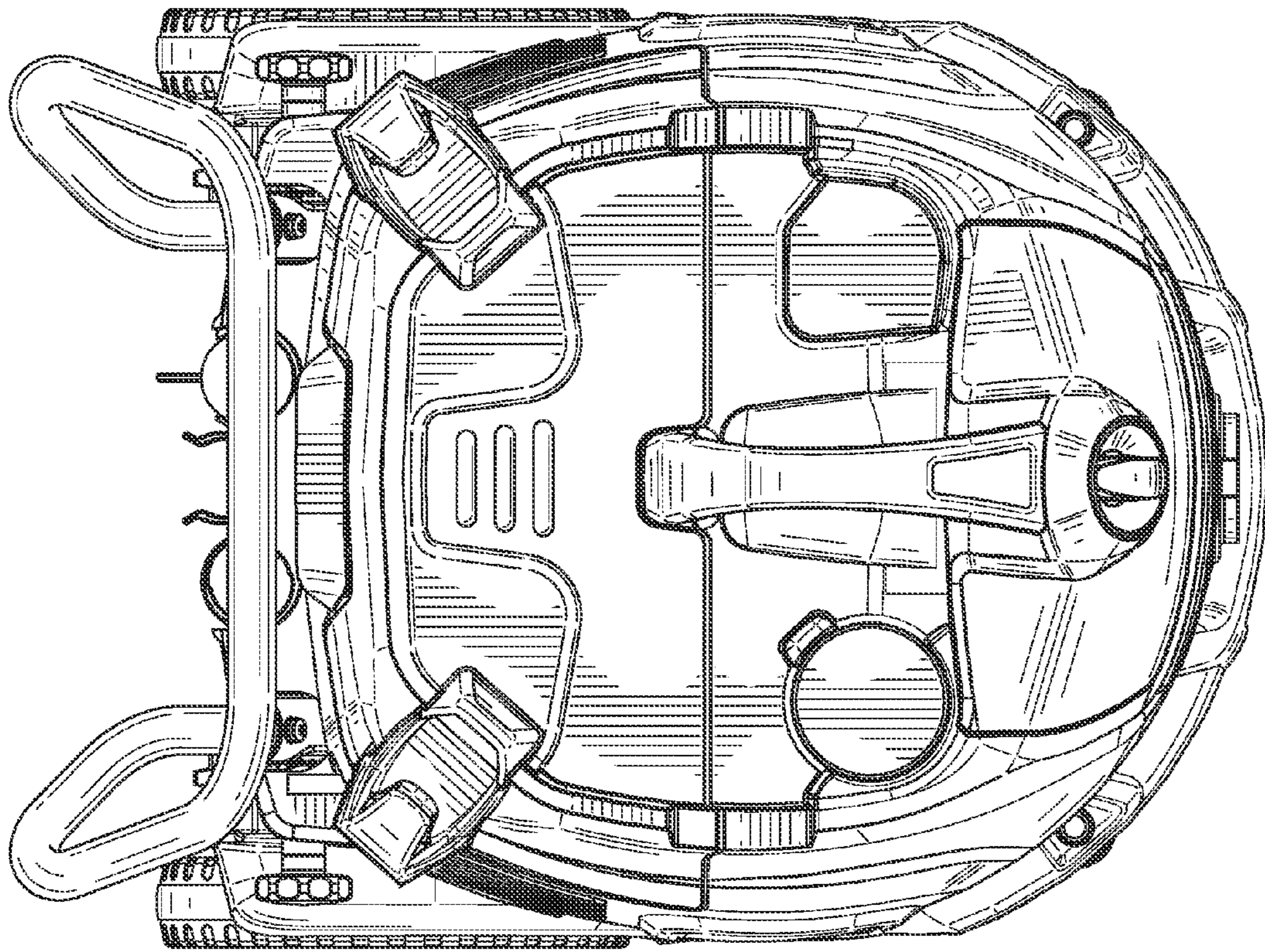


FIG. 7