



US00D660525S

(12) **United States Design Patent**  
**Alexander et al.**

(10) **Patent No.:** **US D660,525 S**

(45) **Date of Patent:** **\*\* May 22, 2012**

(54) **PRESSURE WASHER**

(75) Inventors: **Gus Alexander**, Inverness, IL (US);  
**Ryan D Sherwood**, Chicago, IL (US);  
**Christopher C Alexander**, Chicago, IL  
(US); **William N Alexander**, Inverness,  
IL (US)

(73) Assignee: **FNA IP Holdings, Inc.**, Elk Grove  
Village, IL (US)

(\*\*) Term: **14 Years**

(21) Appl. No.: **29/382,782**

(22) Filed: **Jan. 7, 2011**

(51) **LOC (9) Cl.** ..... **15-05**

(52) **U.S. Cl.** ..... **D32/15**

(58) **Field of Classification Search** ..... D32/1,  
D32/15-16, 21-22, 25; D23/225; D15/7;  
239/146-147, 149, 155-158, 172; 15/320-323,  
15/332, 353, 403, 405; 134/199-201

See application file for complete search history.

(56) **References Cited**

U.S. PATENT DOCUMENTS

D338,292 S	8/1993	Schmitz et al.	
D368,993 S	4/1996	Stutzer et al.	
D381,779 S	7/1997	Pritchett et al.	
D488,596 S	4/2004	Cattaneo	
D489,497 S	5/2004	Cattaneo	
D489,498 S	5/2004	Cattaneo	
D490,948 S	6/2004	Cattaneo	
D532,166 S *	11/2006	Reverberi	D32/4
D551,812 S *	9/2007	Renner	D32/15

D551,813 S *	9/2007	Renner	D32/15
D551,814 S *	9/2007	Renner	D32/15
D556,959 S *	12/2007	Li	D32/15
D559,481 S *	1/2008	Renner	D32/15
D560,046 S *	1/2008	Renner	D32/15
D563,612 S *	3/2008	Li	D32/15
D564,147 S *	3/2008	Li	D32/15
D568,557 S	5/2008	Alexander	
D570,060 S *	5/2008	Renner et al.	D32/15
D591,014 S *	4/2009	Li	D32/15
D614,822 S *	4/2010	Gebhardt et al.	D32/21
D630,390 S *	1/2011	Meyer	D32/15
D648,493 S	11/2011	Alexander et al.	
2005/0189437 A1	9/2005	Alexander et al.	

\* cited by examiner

*Primary Examiner* — T. Chase Nelson

*Assistant Examiner* — Kathleen M Sims

(74) *Attorney, Agent, or Firm* — Holland & Knight, LLP

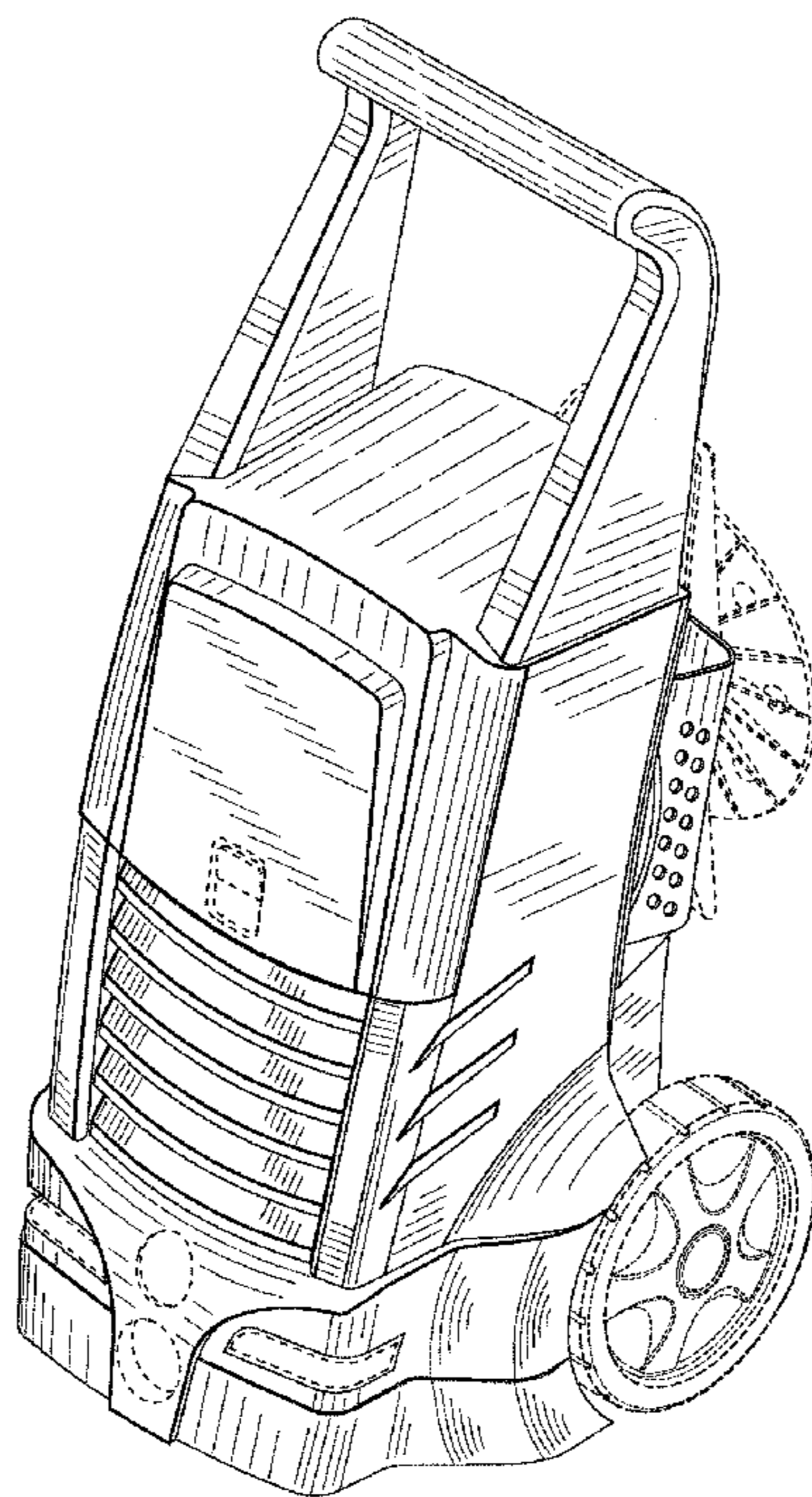
(57) **CLAIM**

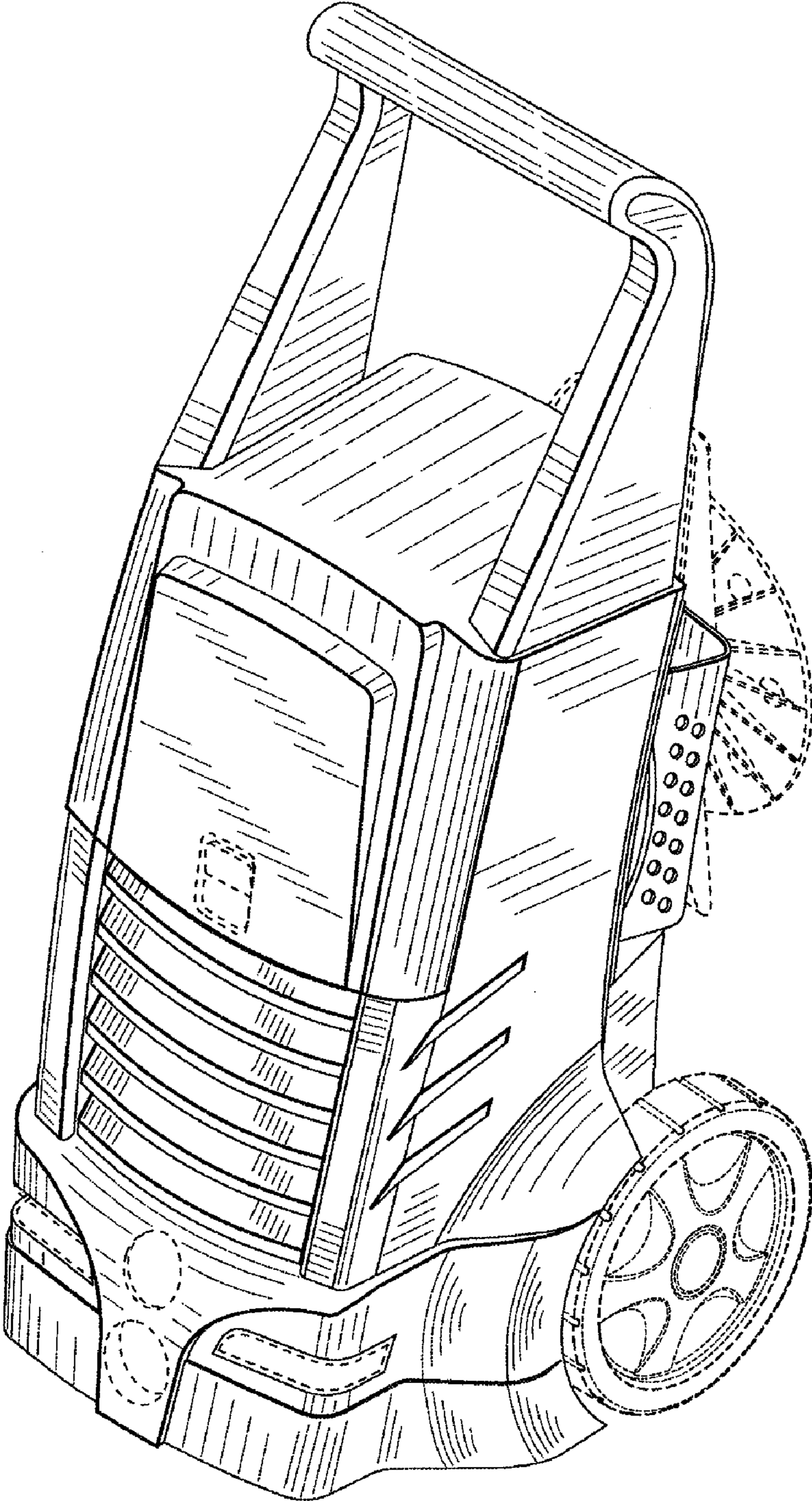
The ornamental design for a pressure washer, as shown and described.

**DESCRIPTION**

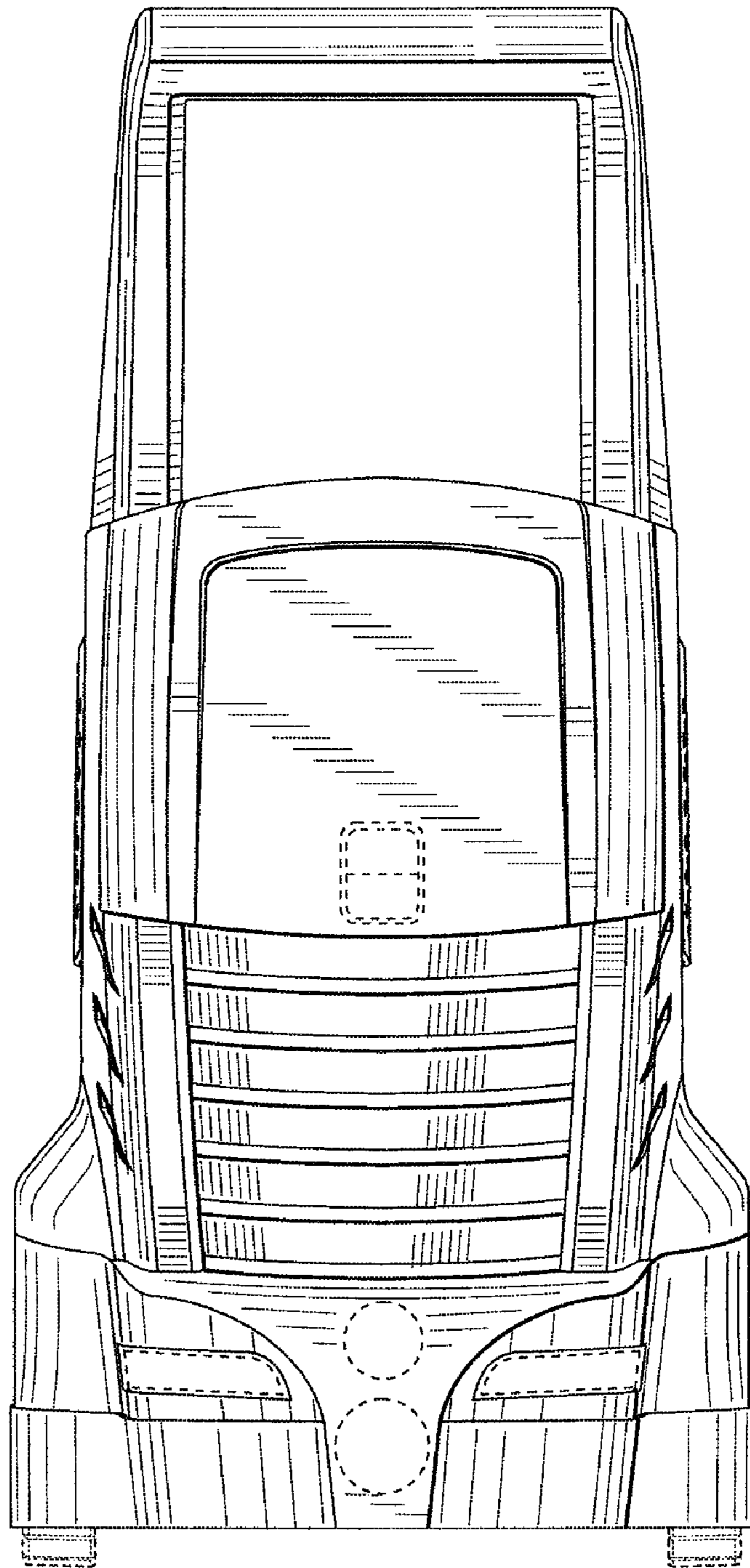
FIG. 1 is a perspective view of a pressure washer;  
FIG. 2 is a front elevation view thereof;  
FIG. 3 is a rear elevation view thereof;  
FIG. 4 is a left side elevation view thereof;  
FIG. 5 is a right side elevation view thereof;  
FIG. 6 is a top plan view thereof; and,  
FIG. 7 is a bottom plan view thereof.  
The broken lines in FIGS. 1-7 are for illustrative purposes only and form no part of the claimed design.

**1 Claim, 6 Drawing Sheets**

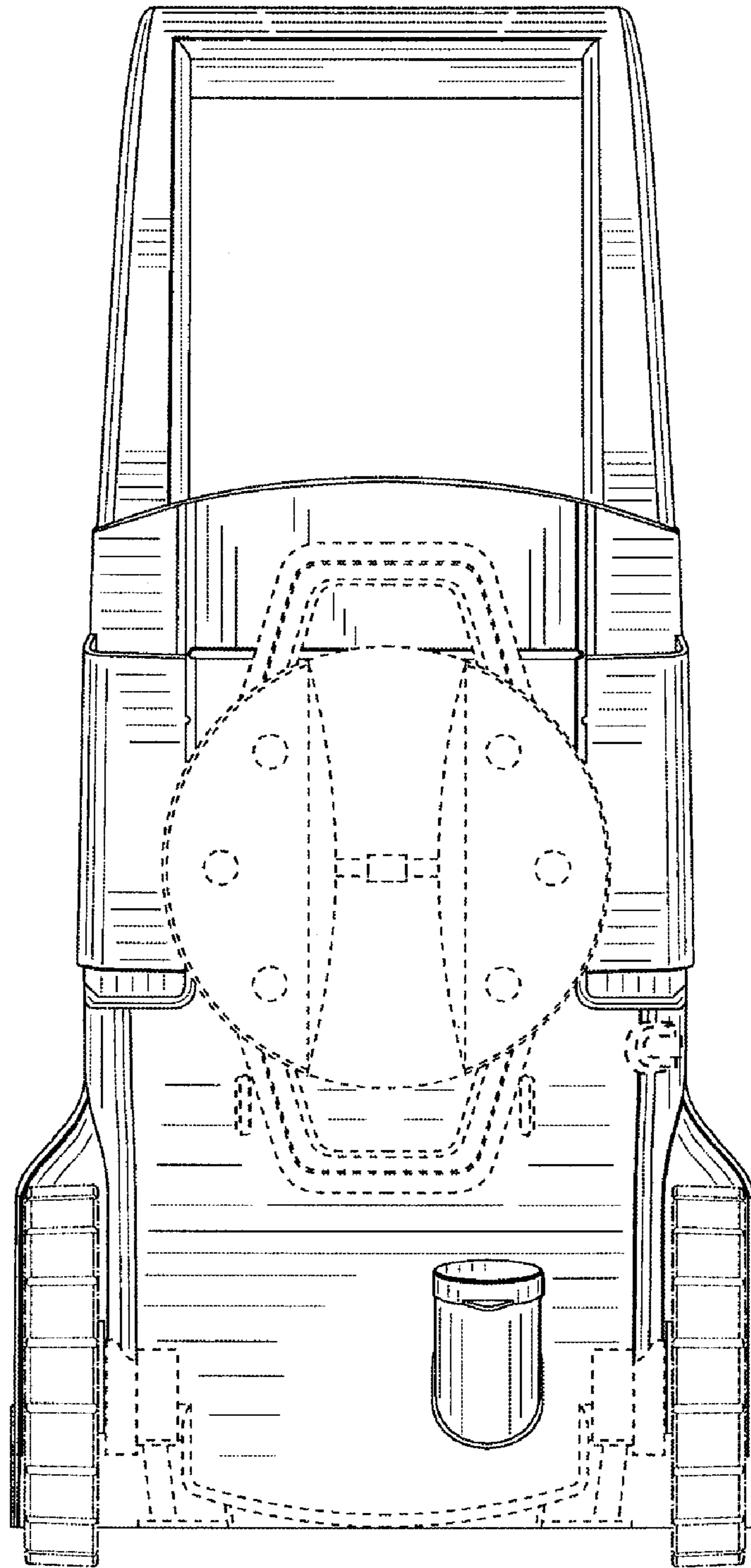




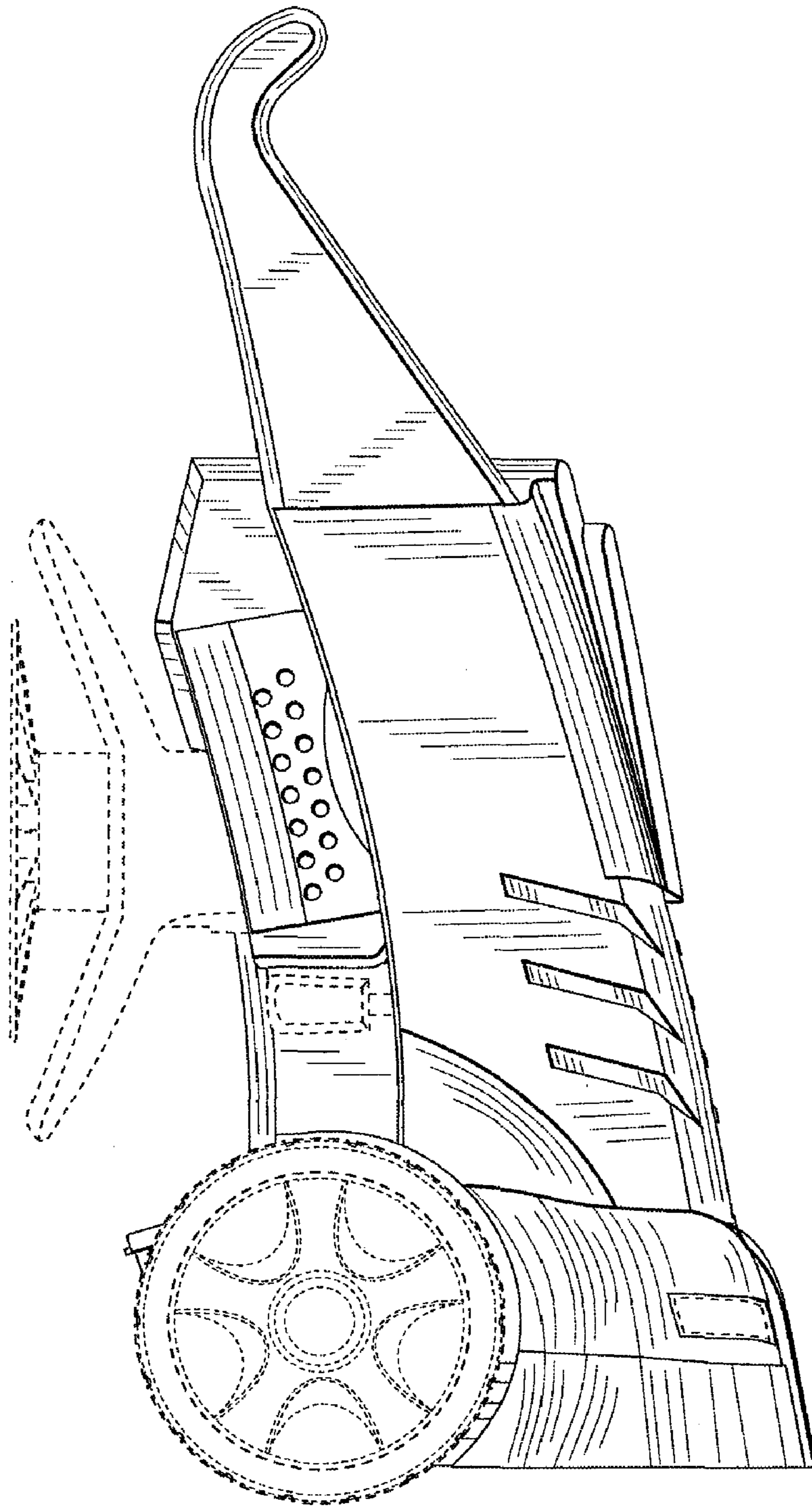
*Fig. 1*



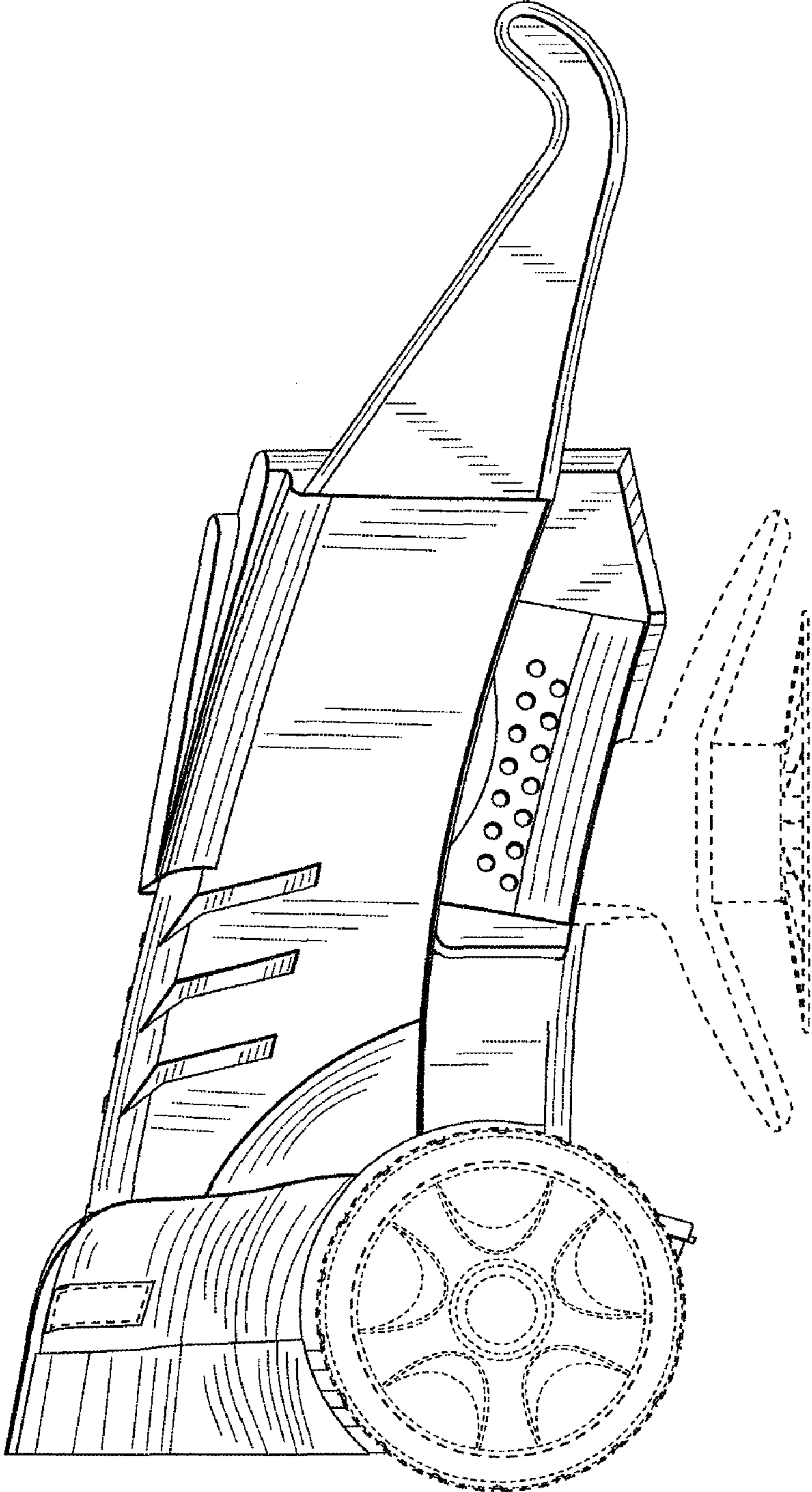
*Fig. 2*



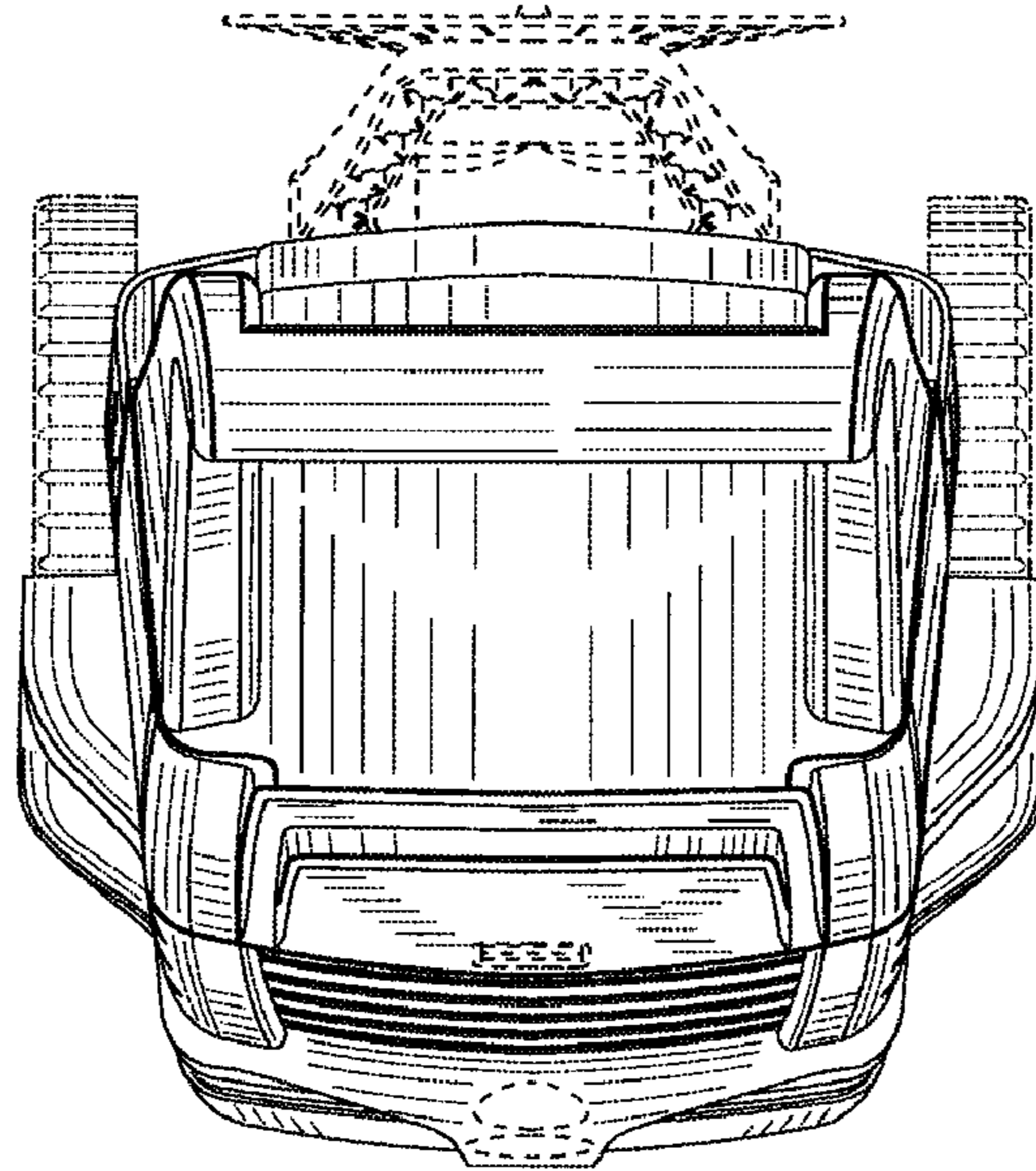
*Fig. 3*



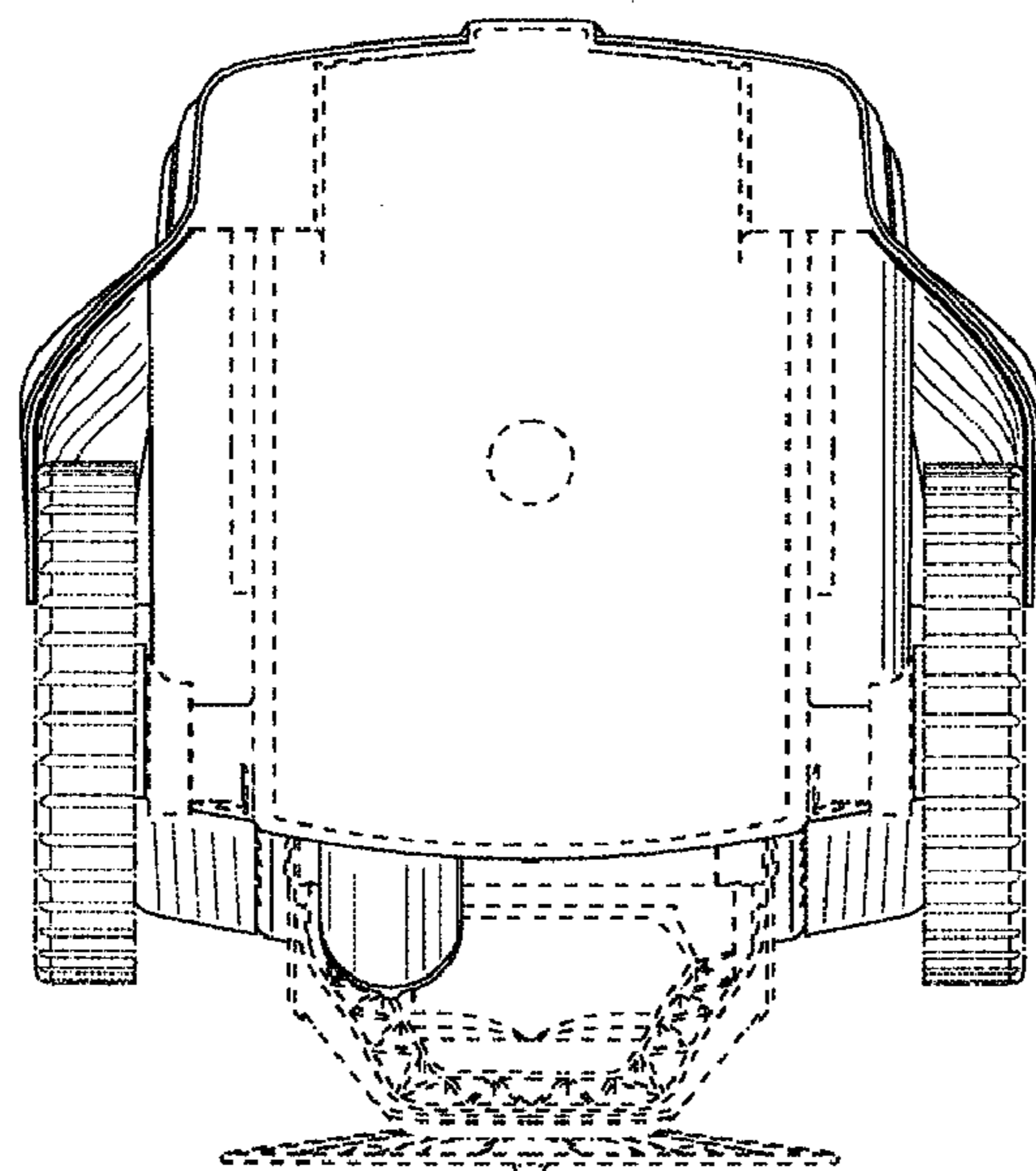
*Fig. 4*



*Fig. 5*



*Fig. 6*



*Fig. 7*