



US00D660524S

(12) **United States Design Patent**
Wedding

(10) **Patent No.:** **US D660,524 S**

(45) **Date of Patent:** **** May 22, 2012**

- (54) **LITTER BOX ENCLOSURE**
 - (76) Inventor: **Carol Ann Estelle Wedding**, Toledo, OH (US)
 - (**) Term: **14 Years**
 - (21) Appl. No.: **29/377,552**
 - (22) Filed: **Oct. 22, 2010**
 - (51) **LOC (9) Cl.** **30-01**
 - (52) **U.S. Cl.** **D30/161**
 - (58) **Field of Classification Search** D30/108, D30/110-112, 114, 117-118, 124-125, 161; D21/506-510; 119/28.5, 52.3, 57.8-57.9, 119/161, 478, 163-170, 302, 444, 428-431, 119/433-435, 452-453, 468-469, 481-482, 119/484, 490, 494, 500, 707, 710, 496-497; 446/476, 478, 490, 109-110
- See application file for complete search history.

- D371,641 S * 7/1996 Crowley D30/108
- D377,406 S * 1/1997 McKinstry D30/108
- D377,549 S * 1/1997 Long et al. D30/161
- D388,910 S * 1/1998 Willinger et al. D30/108
- D388,912 S * 1/1998 Hurst et al.
- D396,734 S * 8/1998 Koneke D30/108
- 5,970,914 A * 10/1999 Steil et al. 119/165
- D425,674 S * 5/2000 Dykens D30/112
- D443,731 S * 6/2001 Lee D30/108
- 6,367,420 B1 4/2002 Tomlinson
- 6,415,738 B1 7/2002 Hotter
- D473,351 S * 4/2003 Critchley D30/161
- D473,353 S * 4/2003 Neves D30/161
- D479,370 S * 9/2003 Neves D30/161

(Continued)

Primary Examiner — T. Chase Nelson
Assistant Examiner — Michelle E Wilson
 (74) *Attorney, Agent, or Firm* — Donald K. Wedding

(57) **CLAIM**
 The ornamental design for a litter box enclosure, as shown and described.

(56) **References Cited**

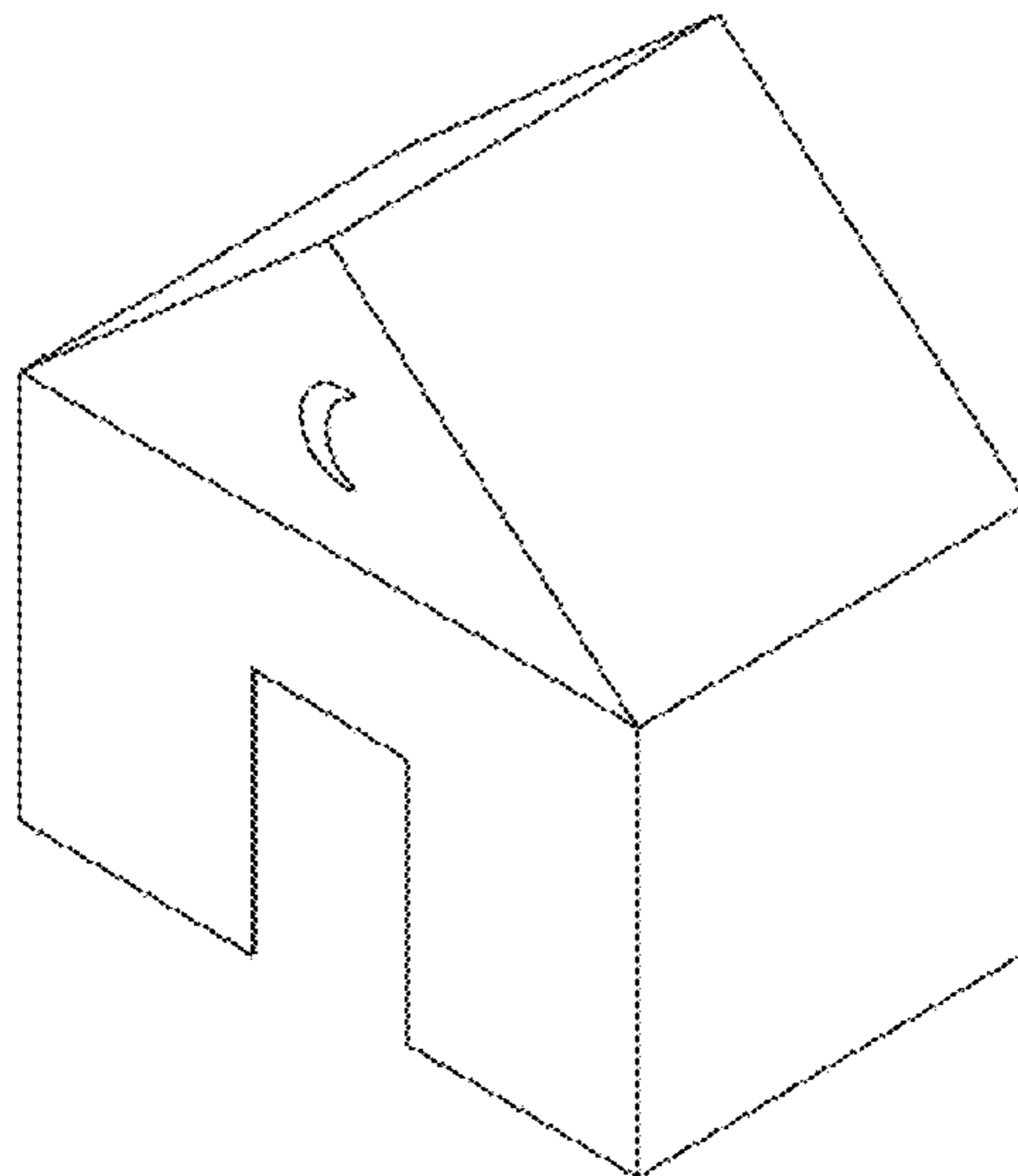
U.S. PATENT DOCUMENTS

- D80,178 S * 12/1929 Kidwell D9/636
- D104,059 S * 4/1937 Bensel D9/636
- 3,618,568 A 11/1971 Breeden
- D230,285 S * 2/1974 Dilley D30/161
- 3,793,989 A * 2/1974 Clark 119/165
- D241,724 S * 10/1976 Bartlett D10/11
- D247,284 S * 2/1978 Huddleston D10/11
- 4,299,190 A 11/1981 Rhodes
- D276,752 S * 12/1984 Kinzie D30/161
- D284,212 S * 6/1986 Arnold D23/367
- 4,760,816 A 8/1988 Rhodes
- D298,672 S * 11/1988 Herbst D30/161
- 4,940,016 A * 7/1990 Heath 119/168
- D319,115 S * 8/1991 White D30/112
- 5,148,768 A * 9/1992 Hinton 119/500
- D335,904 S * 5/1993 Krebs D21/511
- D344,770 S * 3/1994 Swiderski D21/511
- D347,304 S * 5/1994 Hellem D30/161
- 5,337,700 A * 8/1994 Toft 119/168

DESCRIPTION

FIG. 1 is an orthogonal view of an embodiment of a litter box enclosure with a door opening for the small animal to enter and exit the enclosure.
 FIG. 2 is a front elevation of the litter box enclosure shown in FIG. 1.
 FIG. 3 is a back elevation of the litter box enclosure shown in FIG. 1. The broken line showing of the moon is for the purpose of illustrating environmental structure, and forms no part of the claimed design;
 FIG. 4 is a right side elevation of the litter box enclosure shown in FIG. 1. The left side elevation being a mirror image of the elevation shown in FIG. 4; and,
 FIG. 5 is a top view of the litter box enclosure shown in FIG. 1.

1 Claim, 3 Drawing Sheets



US D660,524 S

Page 2

U.S. PATENT DOCUMENTS				D623,242 S *			
D483,158	S *	12/2003	Ward D30/161	2004/0216686	A1	11/2004	Greer D21/511
D491,700	S *	6/2004	Abajian D30/161	2006/0156993	A1	7/2006	Mitchell
D497,210	S *	10/2004	Averett et al. D25/33	2006/0162666	A1	7/2006	Wright
7,051,678	B2	5/2006	Strickland et al.	2006/0272590	A1	7/2006	Mitchell
D581,831	S *	12/2008	Finnigan D11/157	2006/0272590	A1	12/2006	Pettys
7,481,182	B2	1/2009	Simpson et al.	2007/0234966	A1	10/2007	Pettys
D601,312	S *	9/2009	Pettys D30/161	2007/0289542	A1	12/2007	Pettys
7,673,585	B1	3/2010	Emmi et al.	2009/0126642	A1	12/2007	Wright
D621,100	S	8/2010	Simpson et al.	2010/0206238	A1	5/2009	Coccia et al.
D622,913	S *	8/2010	Schroeder et al. D30/161			8/2010	Pettys

* cited by examiner

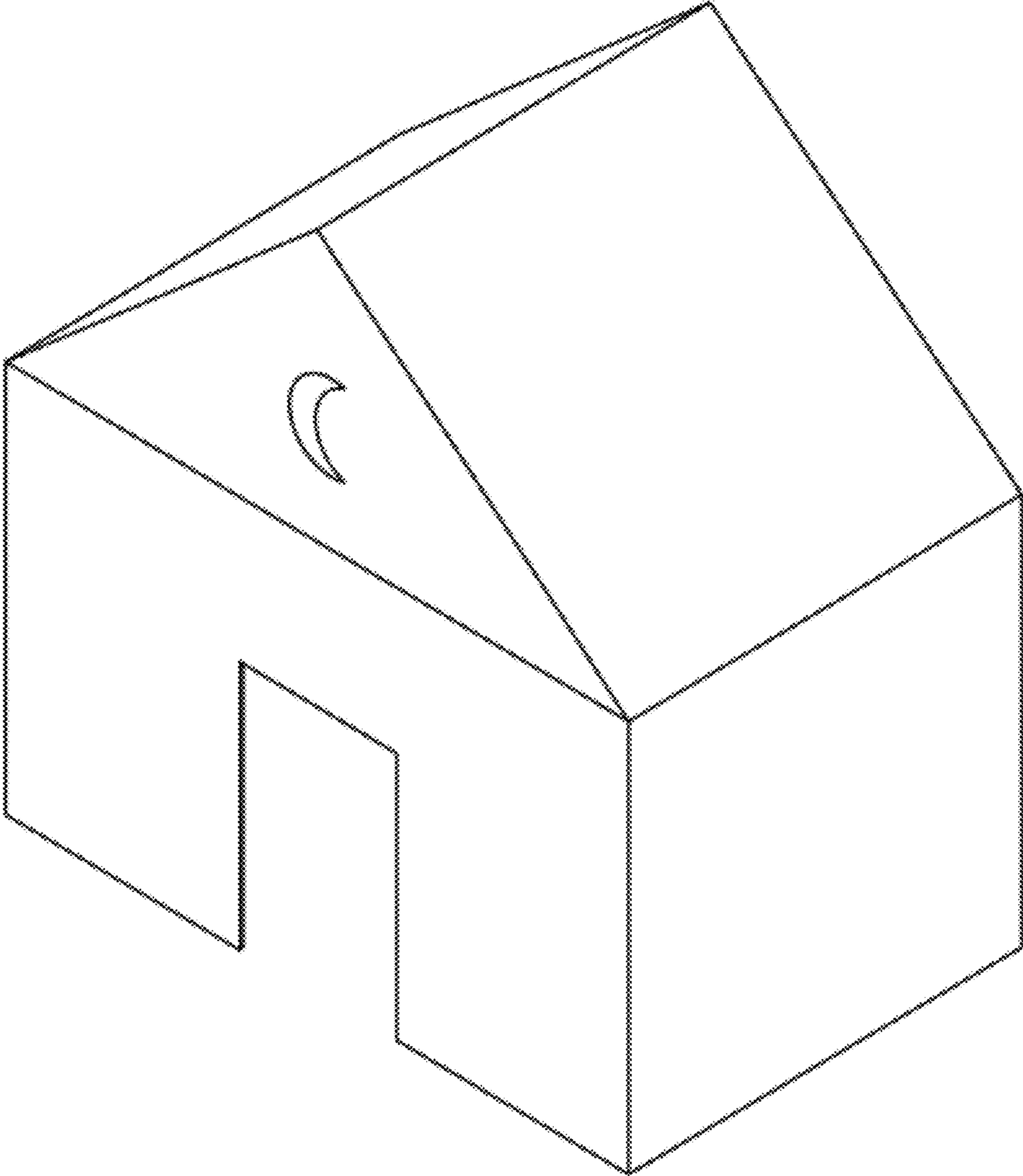


FIG. 1

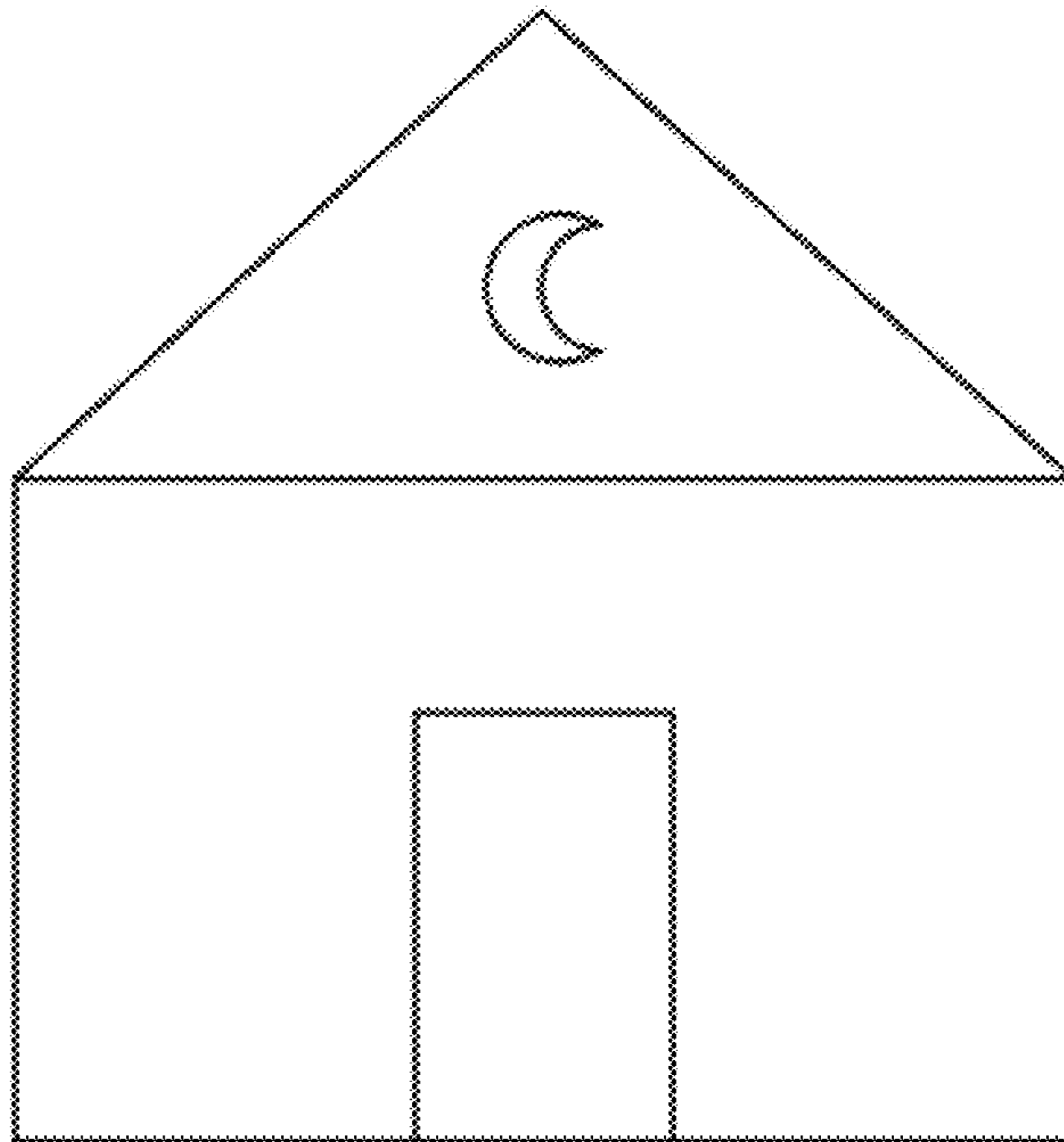


FIG. 2

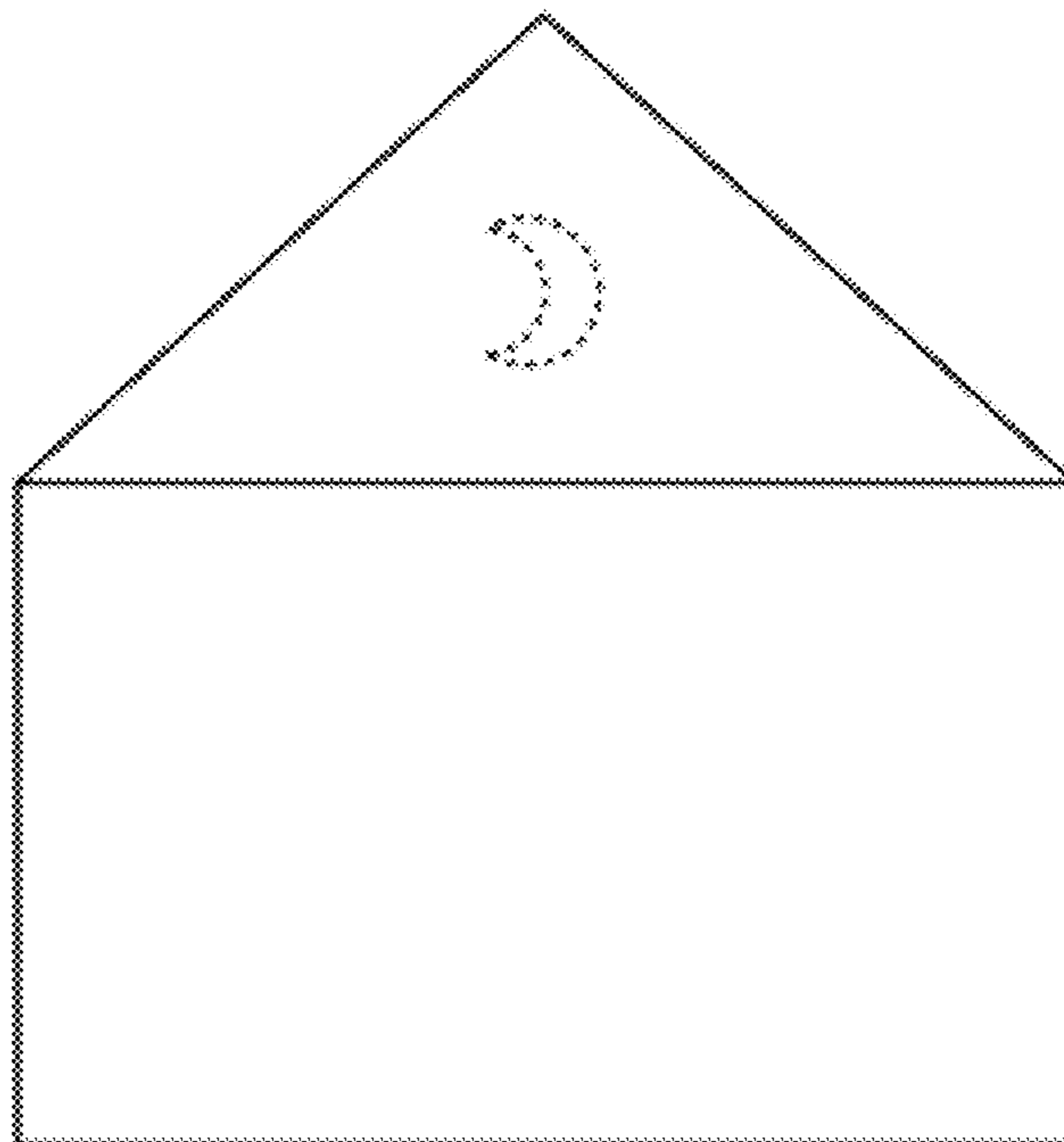


FIG. 3

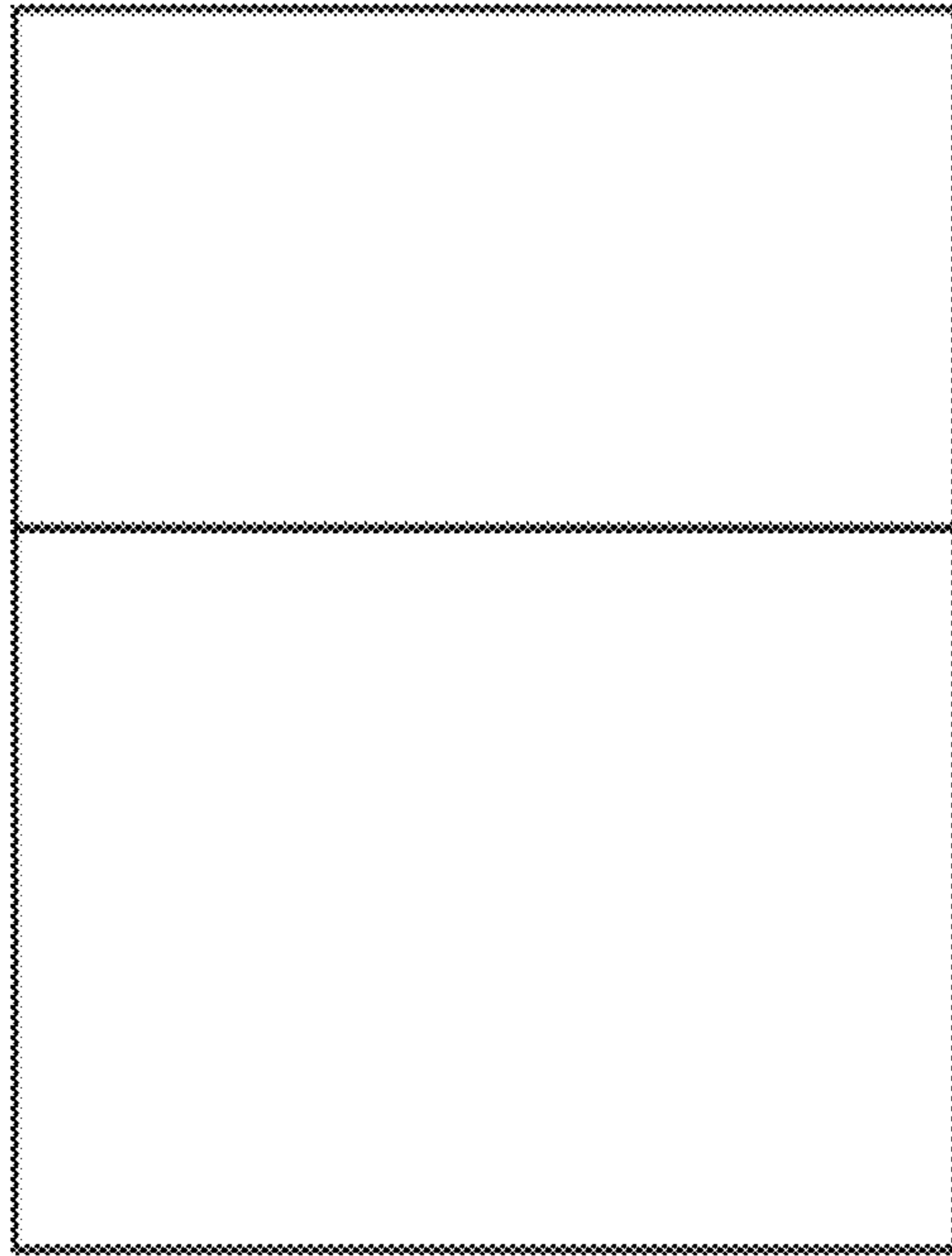


FIG. 4



FIG. 5