



US00D660520S

(12) **United States Design Patent**  
**Glenn**

(10) **Patent No.:** **US D660,520 S**

(45) **Date of Patent:** **\*\* May 22, 2012**

(54) **ARM WEARABLE GRIP ASSISTING SLEEVE**

(76) Inventor: **Josh W. Glenn**, Ridgecrest, CA (US)

(\*\*) Term: **14 Years**

(21) Appl. No.: **29/408,973**

(22) Filed: **Dec. 19, 2011**

(51) **LOC (9) Cl.** ..... **29-02**

(52) **U.S. Cl.** ..... **D29/120.1**

(58) **Field of Classification Search** ..... D29/100,  
D29/101.1, 101.2, 101.3, 101.4, 101.5, 120.1,  
D29/120.2, 121.1, 121.2, 122; D2/901; D24/190;  
2/16, 20-24, 62, 267, 455, 461, 463, 910,  
2/911; 602/3, 5, 6, 16, 23, 26

See application file for complete search history.

(56) **References Cited**

U.S. PATENT DOCUMENTS

5,642,525	A *	7/1997	Ketola	.....	2/16
D393,138	S *	4/1998	Frey	.....	D2/610
D454,198	S *	3/2002	Lamping et al.	.....	D24/190
6,405,731	B1 *	6/2002	Chiang	.....	128/878
D460,824	S *	7/2002	Ames	.....	D24/190
6,592,539	B1 *	7/2003	Einarsson et al.	.....	602/62
6,826,779	B1 *	12/2004	McKenzie	.....	2/16
7,615,024	B2 *	11/2009	Chiang et al.	.....	602/5

D641,107	S *	7/2011	Bonner	.....	D29/121.1
2007/0250965	A1 *	10/2007	Sioul et al.	.....	D29/121.1
2008/0098697	A1 *	5/2008	Murray	.....	53/457
2011/0220696	A1 *	9/2011	Buchanan et al.	.....	224/191

\* cited by examiner

*Primary Examiner* — Raphael Barkai  
*Assistant Examiner* — Randall Gholson

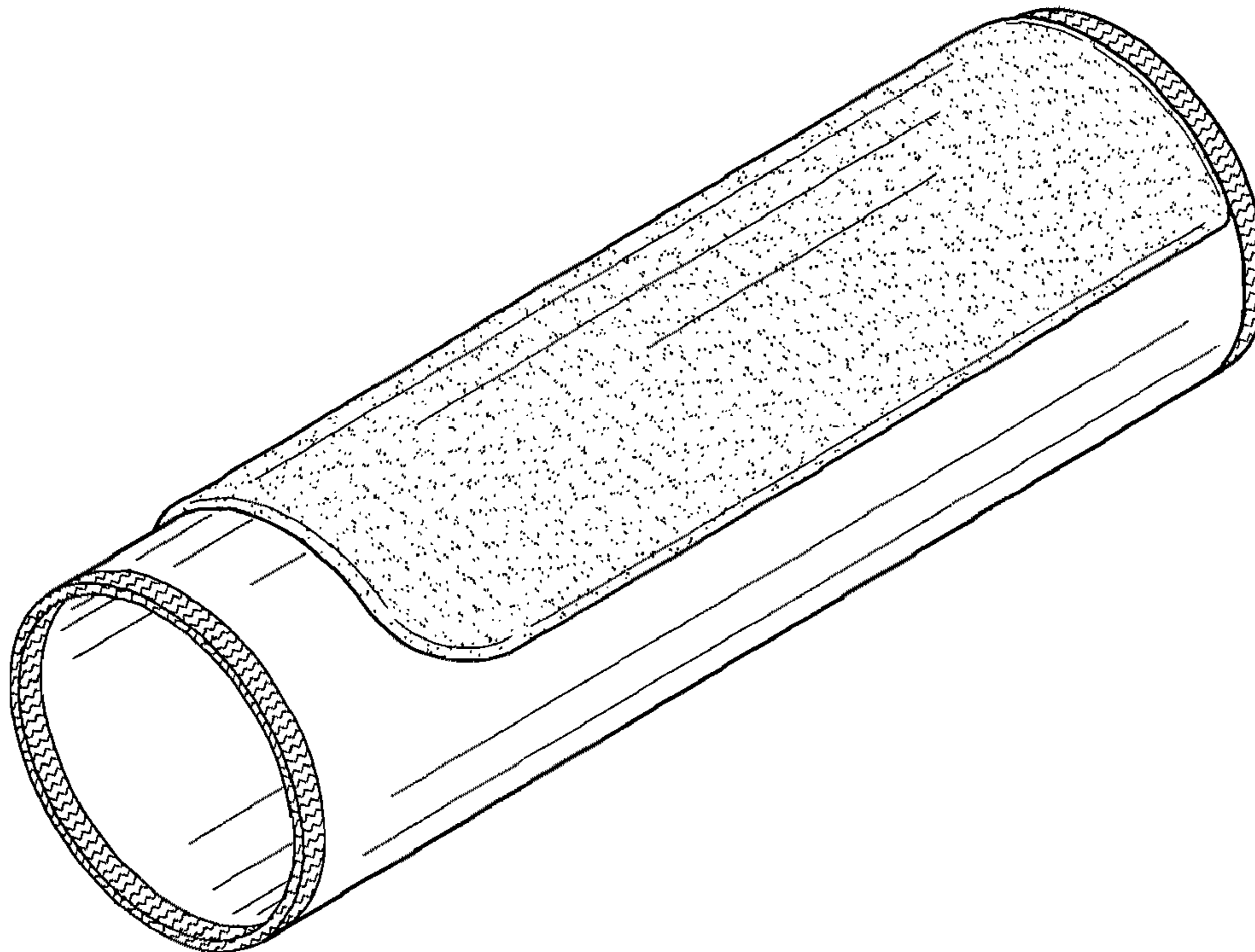
(57) **CLAIM**

The ornamental design for an arm wearable grip assisting sleeve, as shown and described.

**DESCRIPTION**

FIG. 1 is a bottom perspective view of an arm wearable grip assisting sleeve showing my new design;  
FIG. 2 is a top perspective view of the arm wearable grip assisting sleeve;  
FIG. 3 is a front side view of the arm wearable grip assisting sleeve;  
FIG. 4 is a top plan view of the arm wearable grip assisting sleeve; and,  
FIG. 5 is an end view of the arm wearable grip assisting sleeve.

**1 Claim, 2 Drawing Sheets**



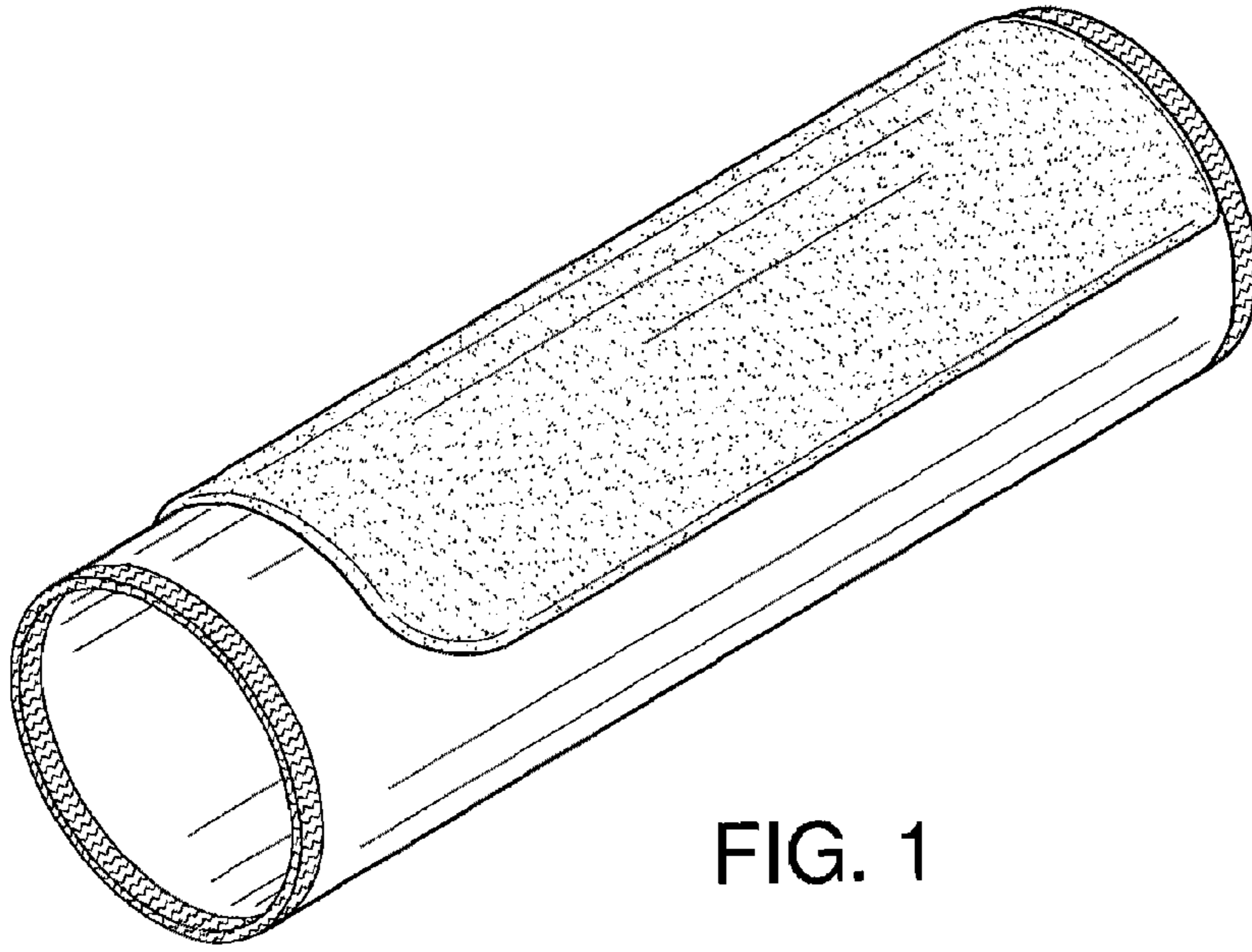


FIG. 1

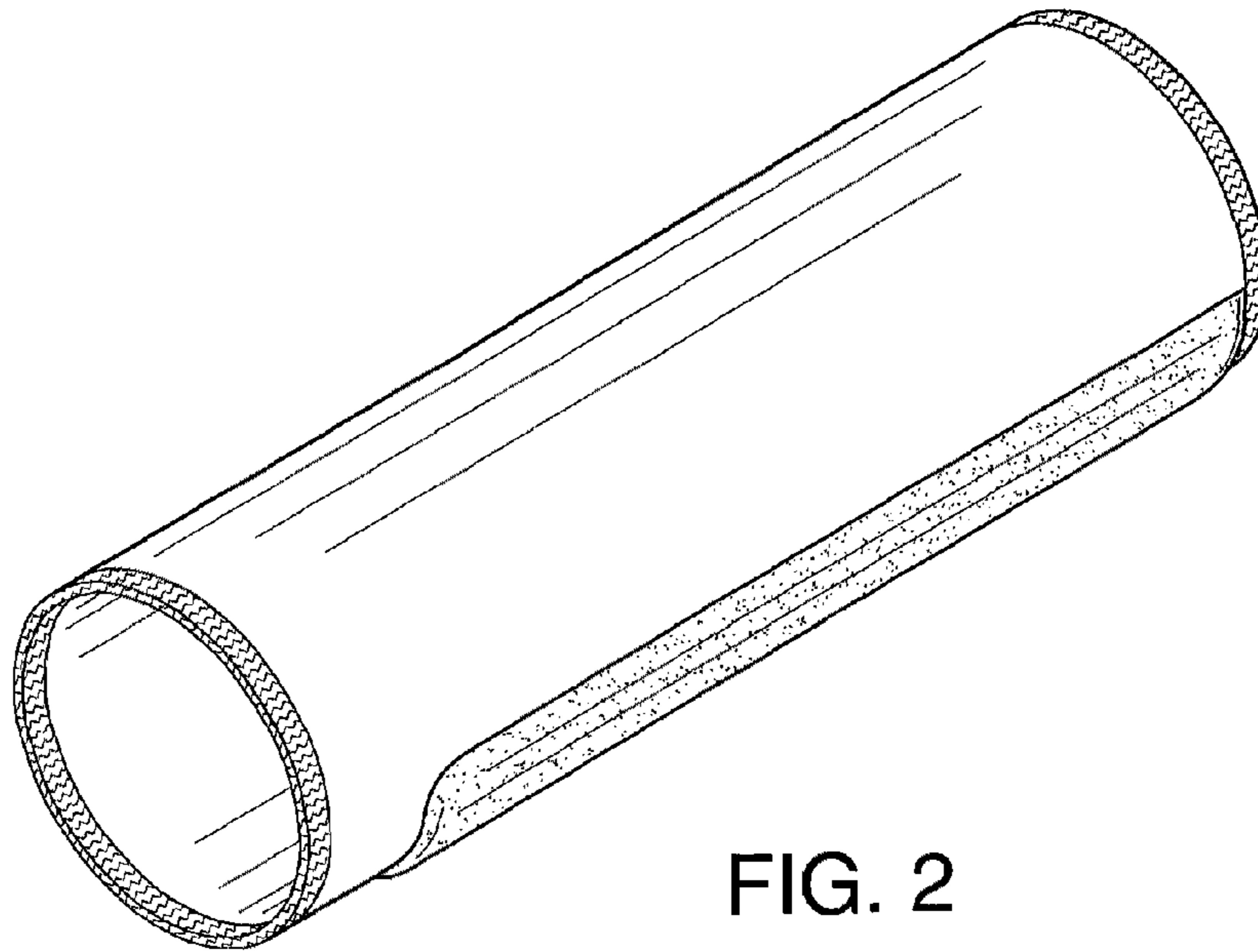


FIG. 2

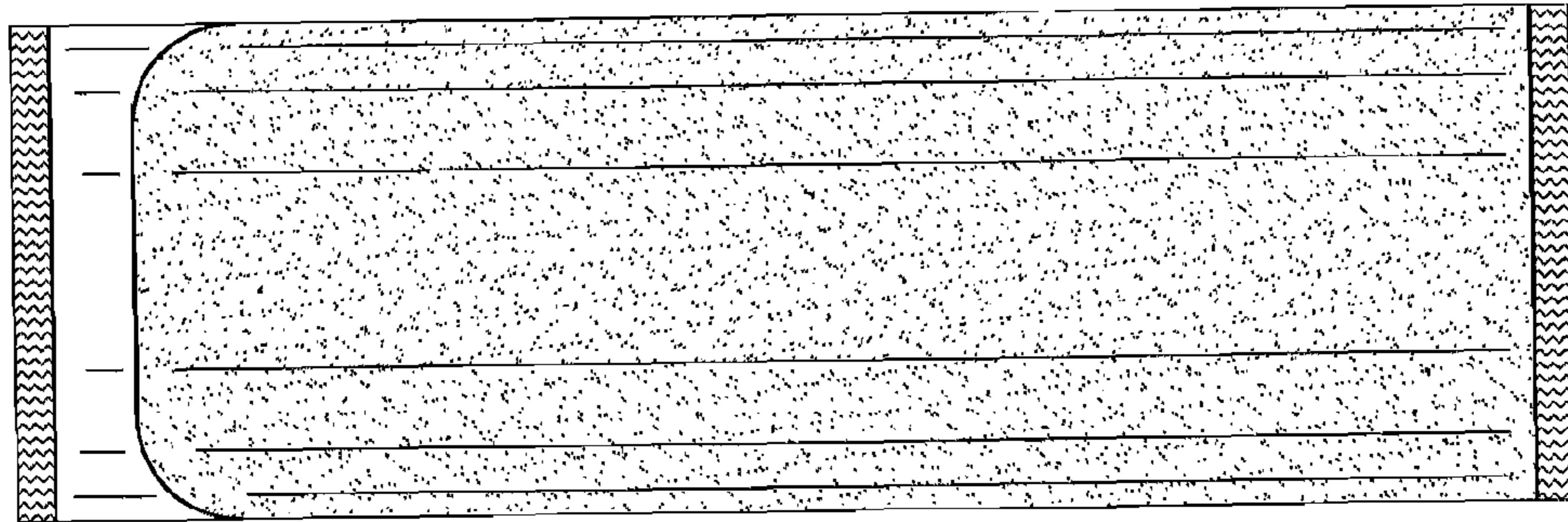


FIG. 3

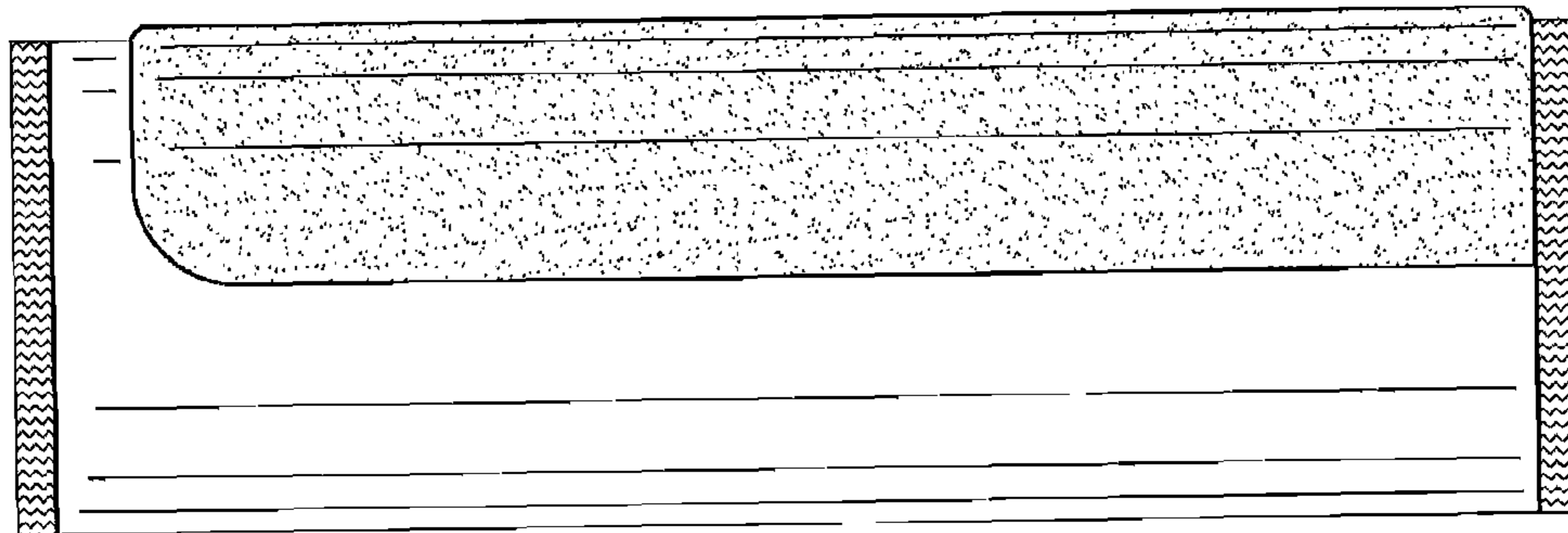


FIG. 4

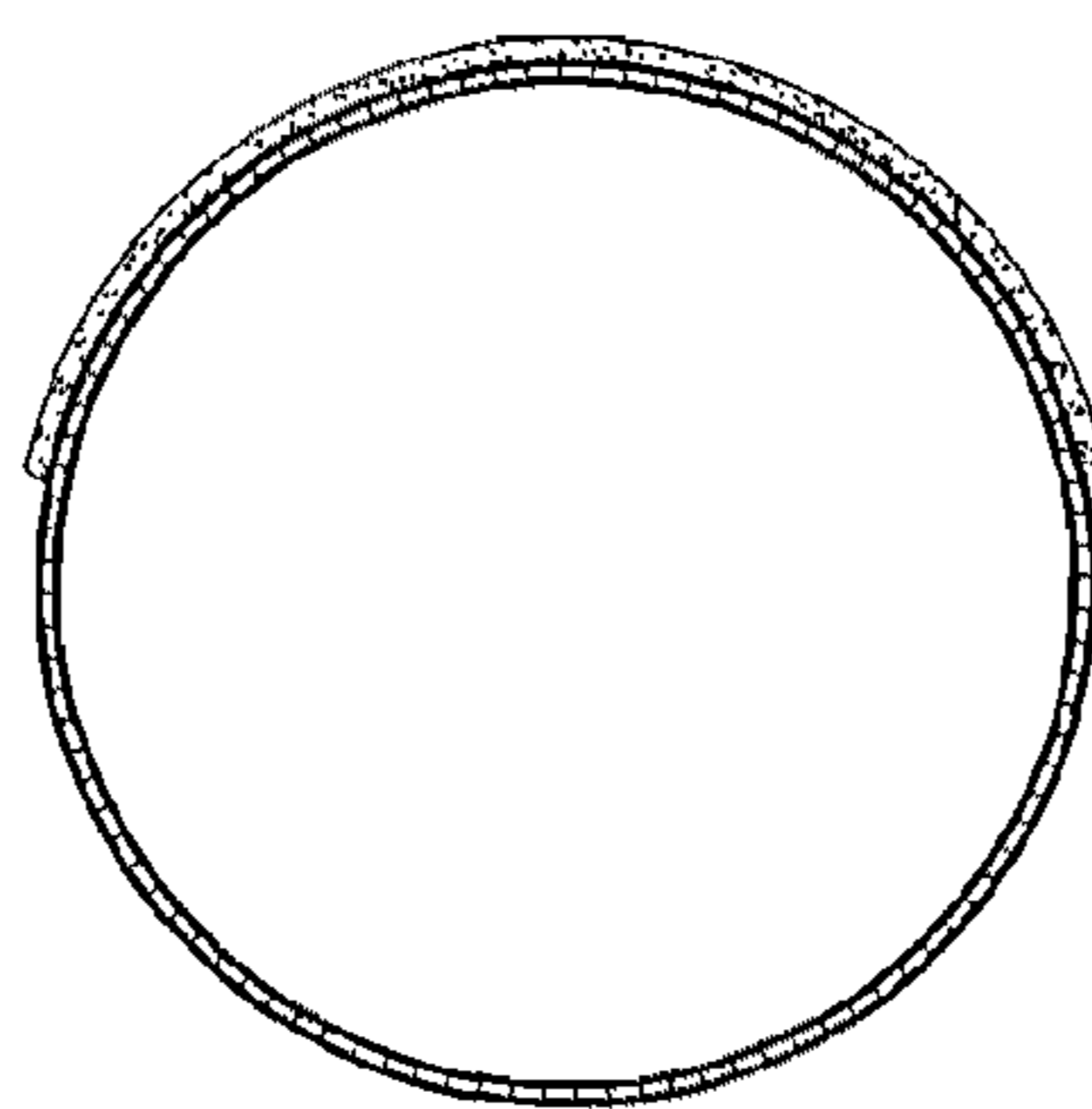


FIG. 5