



US00D660518S

(12) **United States Design Patent**
Chen

(10) **Patent No.:** **US D660,518 S**

(45) **Date of Patent:** **** May 22, 2012**

(54) **COSMETIC CASE**

(75) Inventor: **Kuo-Ming Chen**, Conghua (CN)

(73) Assignee: **JWU Ching(HK) Co. Limited**,
Guangdong Province (CN)

(**) Term: **14 Years**

(21) Appl. No.: **29/382,174**

(22) Filed: **Dec. 29, 2010**

(51) **LOC (9) Cl.** **28-03**

(52) **U.S. Cl.** **D28/73; D3/901**

(58) **Field of Classification Search** D28/73,
D28/76-84; D3/294-296, 901, 284; 206/581,
206/823; 132/286-318

See application file for complete search history.

(56) **References Cited**

U.S. PATENT DOCUMENTS

| | | | | | |
|-----------|-----|---------|------------------|-------|---------|
| 952,802 | A * | 3/1910 | Greene | | 220/377 |
| 2,124,810 | A * | 7/1938 | Allman | | 206/1.7 |
| 2,397,416 | A * | 3/1946 | Haley | | 206/385 |
| 2,774,466 | A * | 12/1956 | Liska | | 206/538 |
| 3,482,728 | A * | 12/1969 | Flax | | D28/82 |
| 4,027,404 | A * | 6/1977 | Brant | | 206/1.8 |
| D293,943 | S * | 1/1988 | Wadsworth et al. | | D28/76 |
| 5,222,604 | A * | 6/1993 | Tiramani | | 206/581 |

| | | | | | |
|----------|-----|---------|-------------|-------|--------|
| D480,179 | S * | 9/2003 | Lai | | D28/82 |
| D553,797 | S * | 10/2007 | Gunter | | D28/82 |
| D559,464 | S * | 1/2008 | Singh | | D28/73 |
| D584,854 | S * | 1/2009 | Blum et al. | | D28/10 |

* cited by examiner

Primary Examiner — Jennifer Rivard

(74) *Attorney, Agent, or Firm* — Leong C. Lei

(57) **CLAIM**

The ornamental design for a cosmetic case, as shown and described.

DESCRIPTION

FIG. 1 is a perspective view of a cosmetic case showing my new design;

FIG. 2 is a front elevational view thereof;

FIG. 3 is a rear elevational view thereof;

FIG. 4 is a left side view thereof;

FIG. 5 is a right side view thereof;

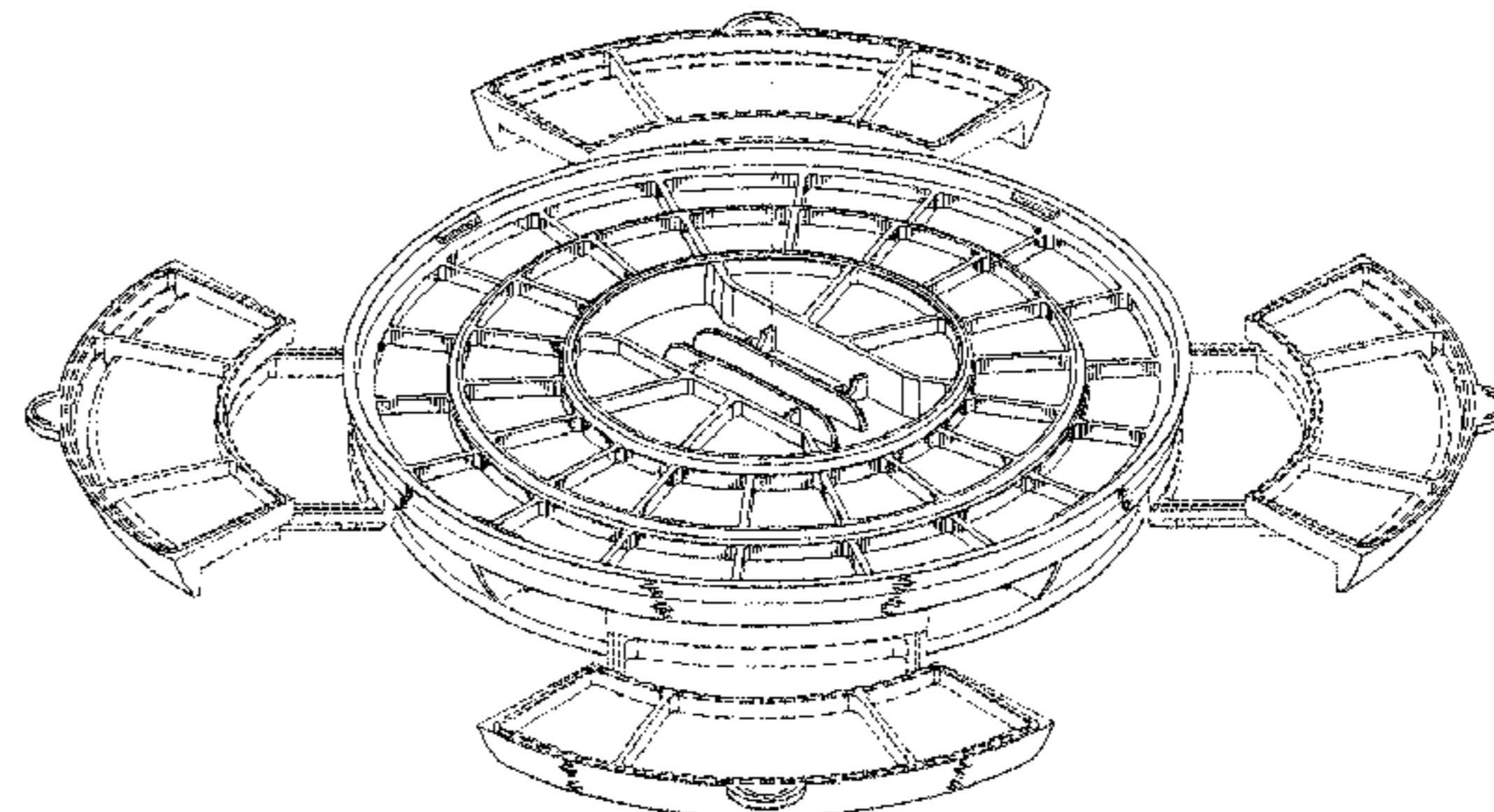
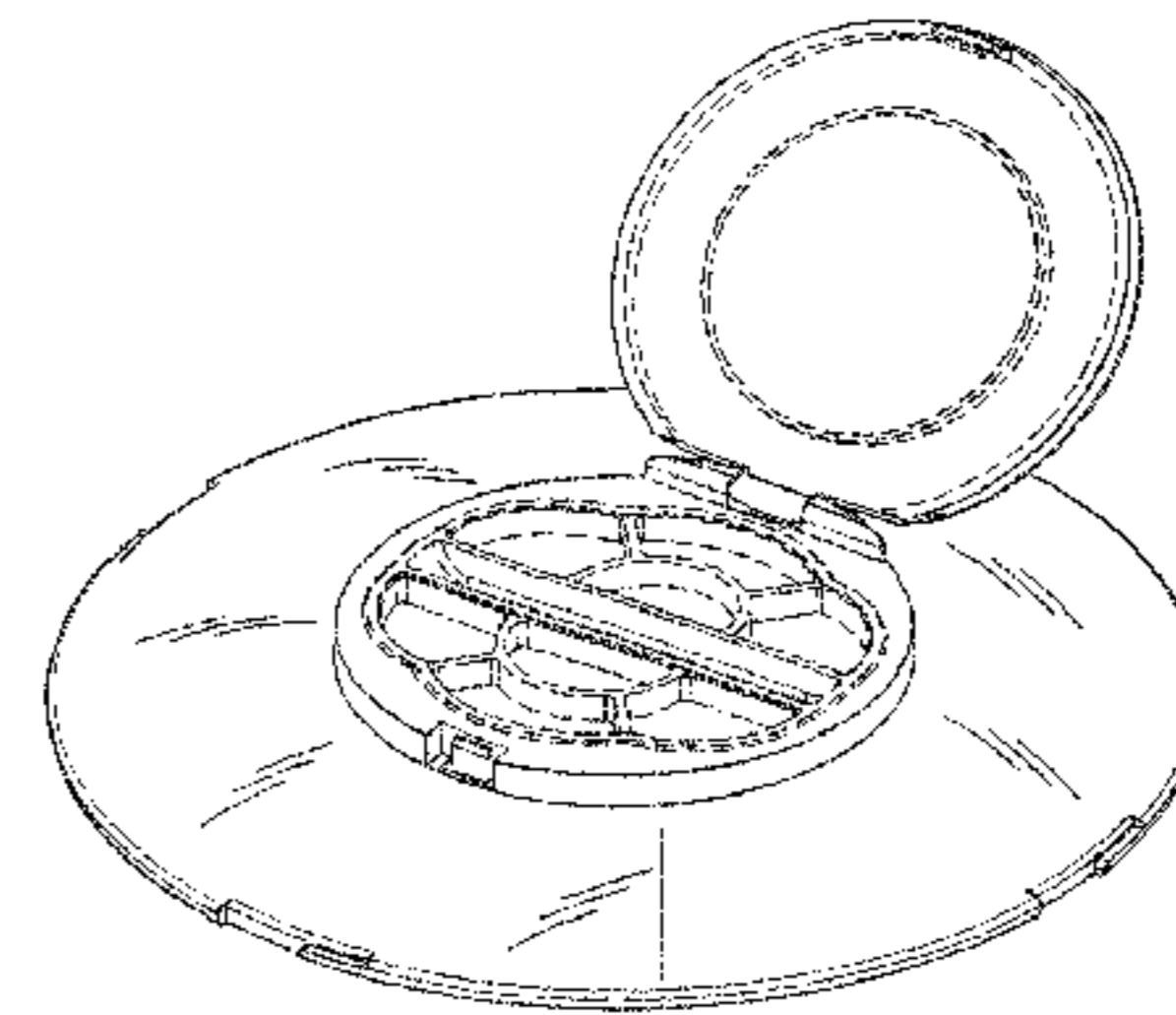
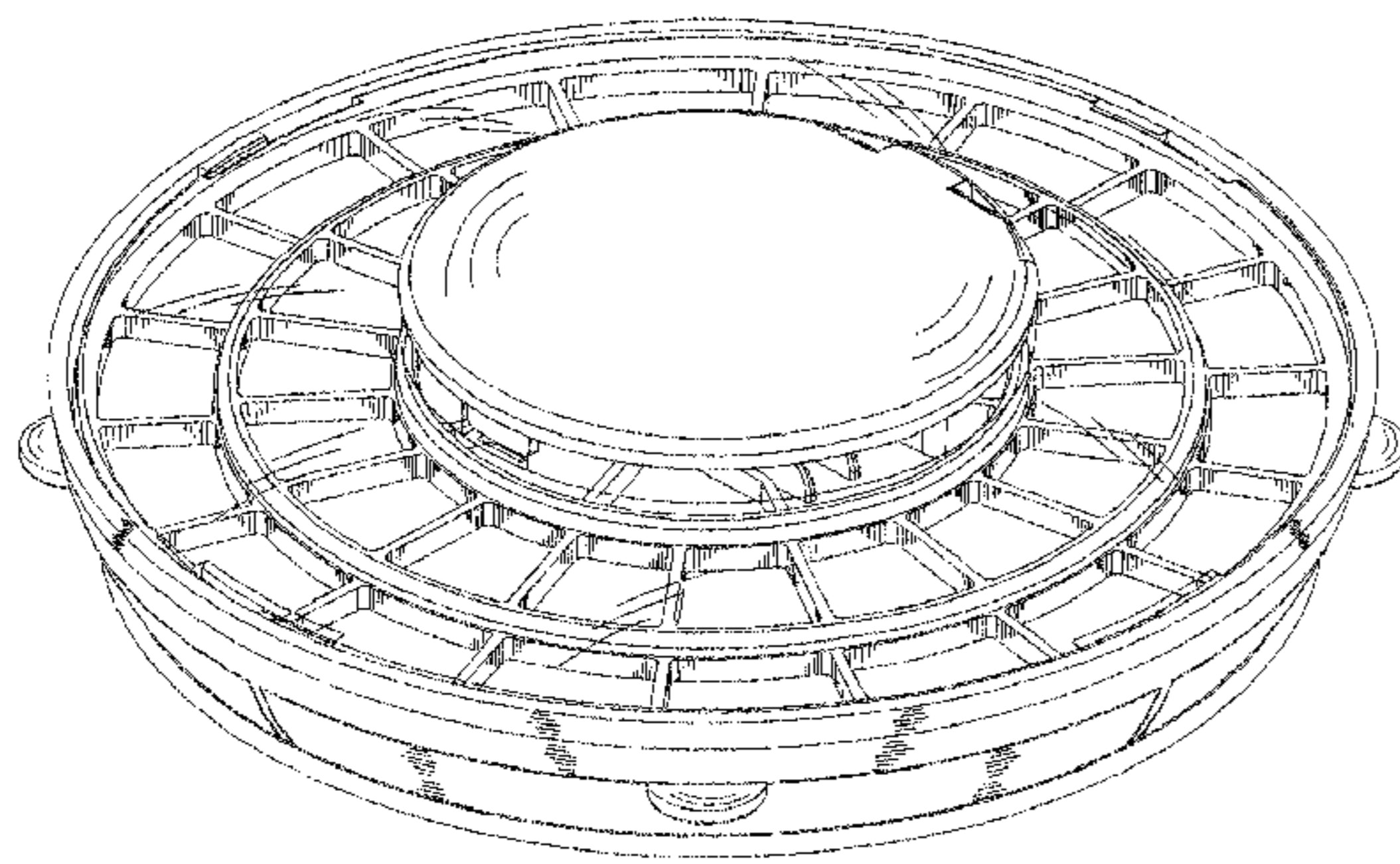
FIG. 6 is a top plan view thereof;

FIG. 7 is a bottom plan view thereof; and,

FIG. 8 is another perspective view thereof while in use.

The broken lines shown in the FIG. 8 illustrate portions of the article and form no part of the claimed design.

1 Claim, 8 Drawing Sheets



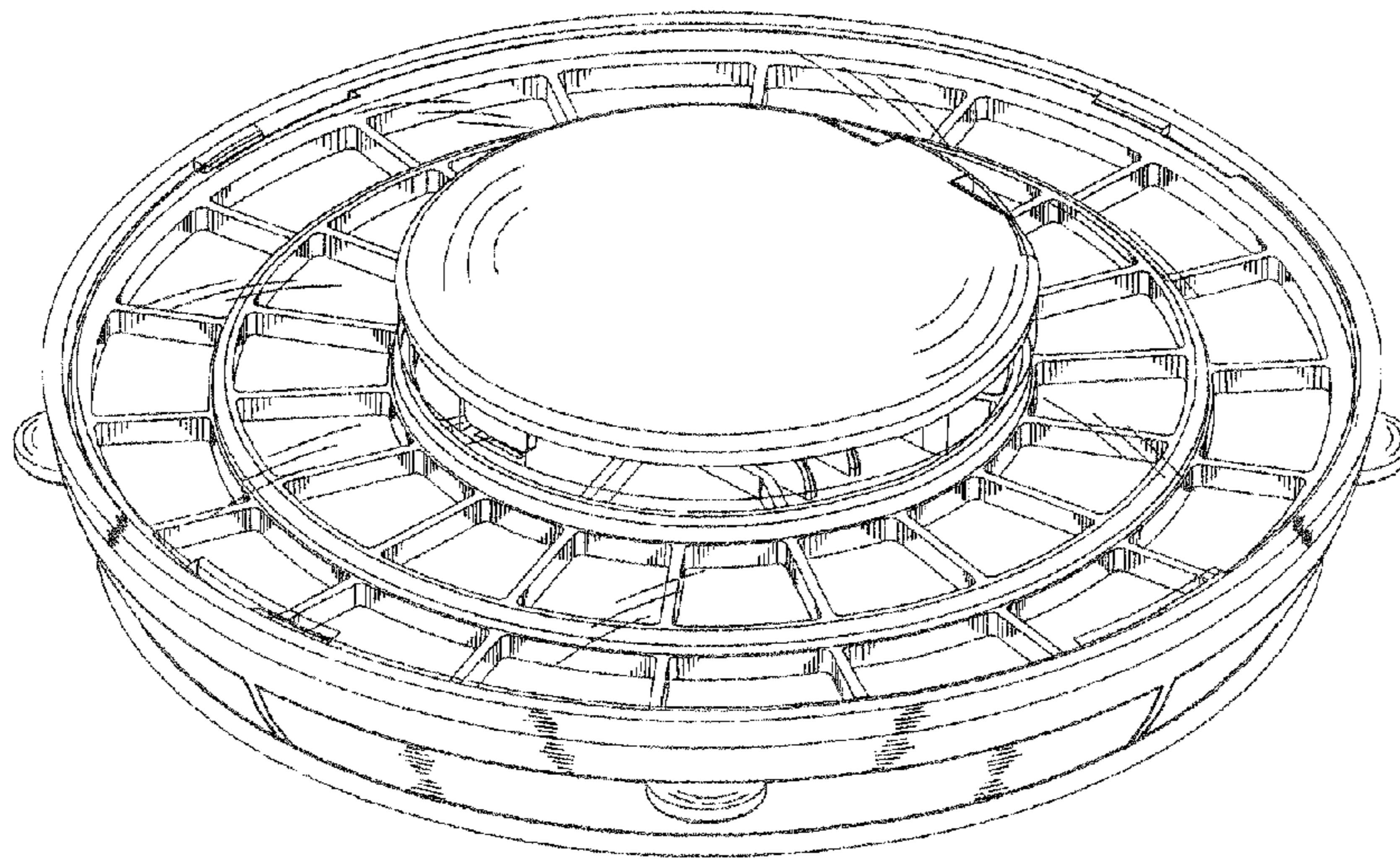


FIG. 1

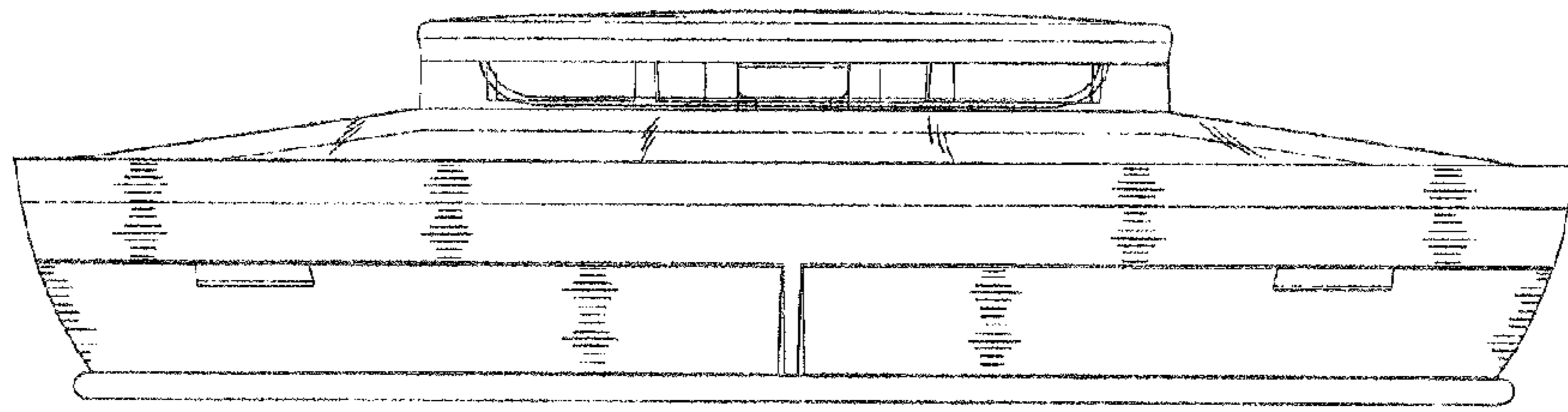


FIG.2

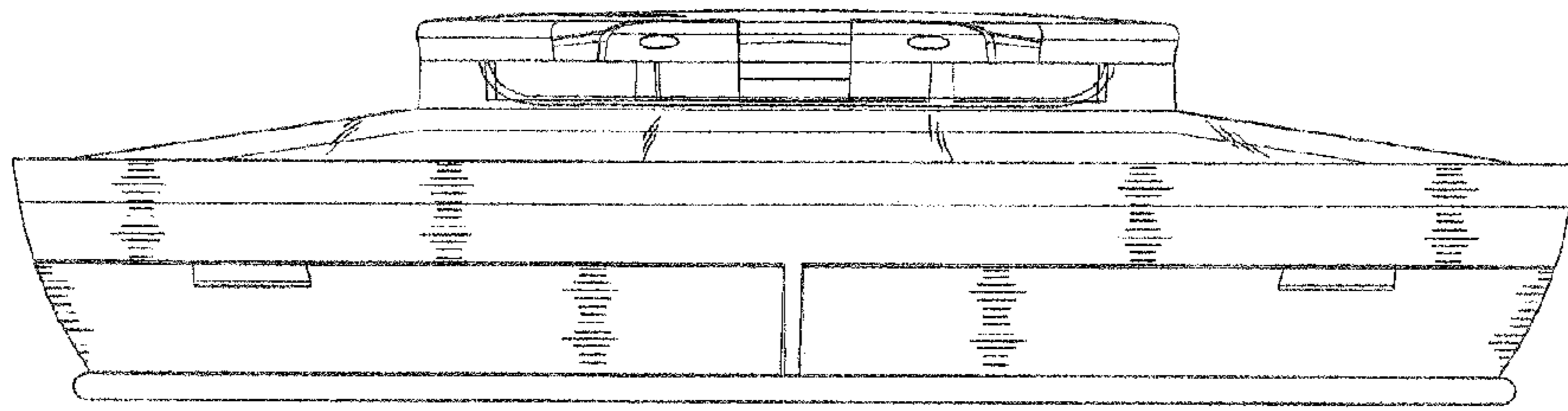


FIG.3

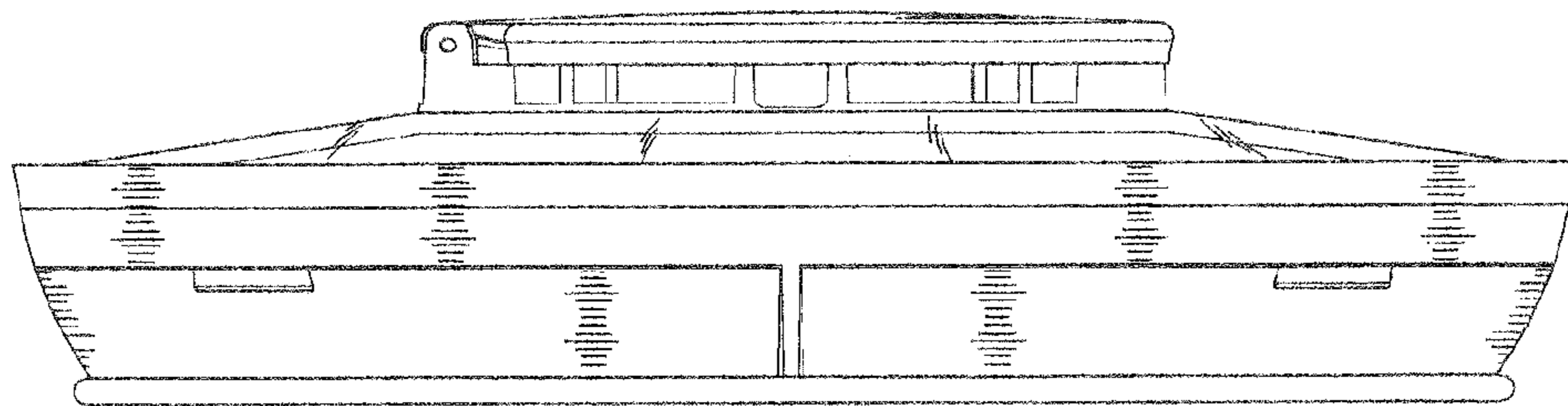


FIG.4

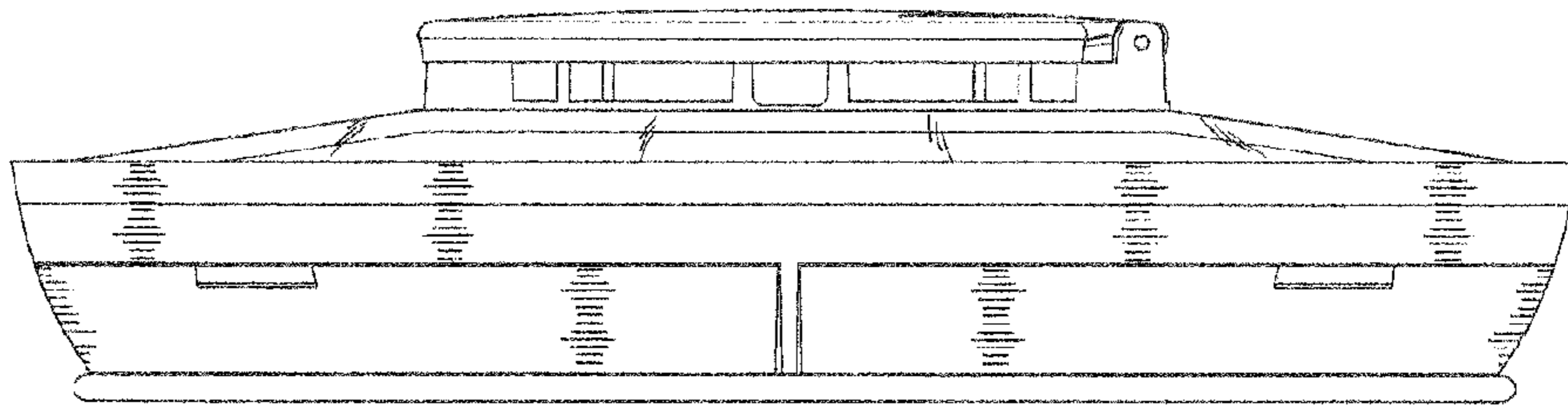


FIG. 5

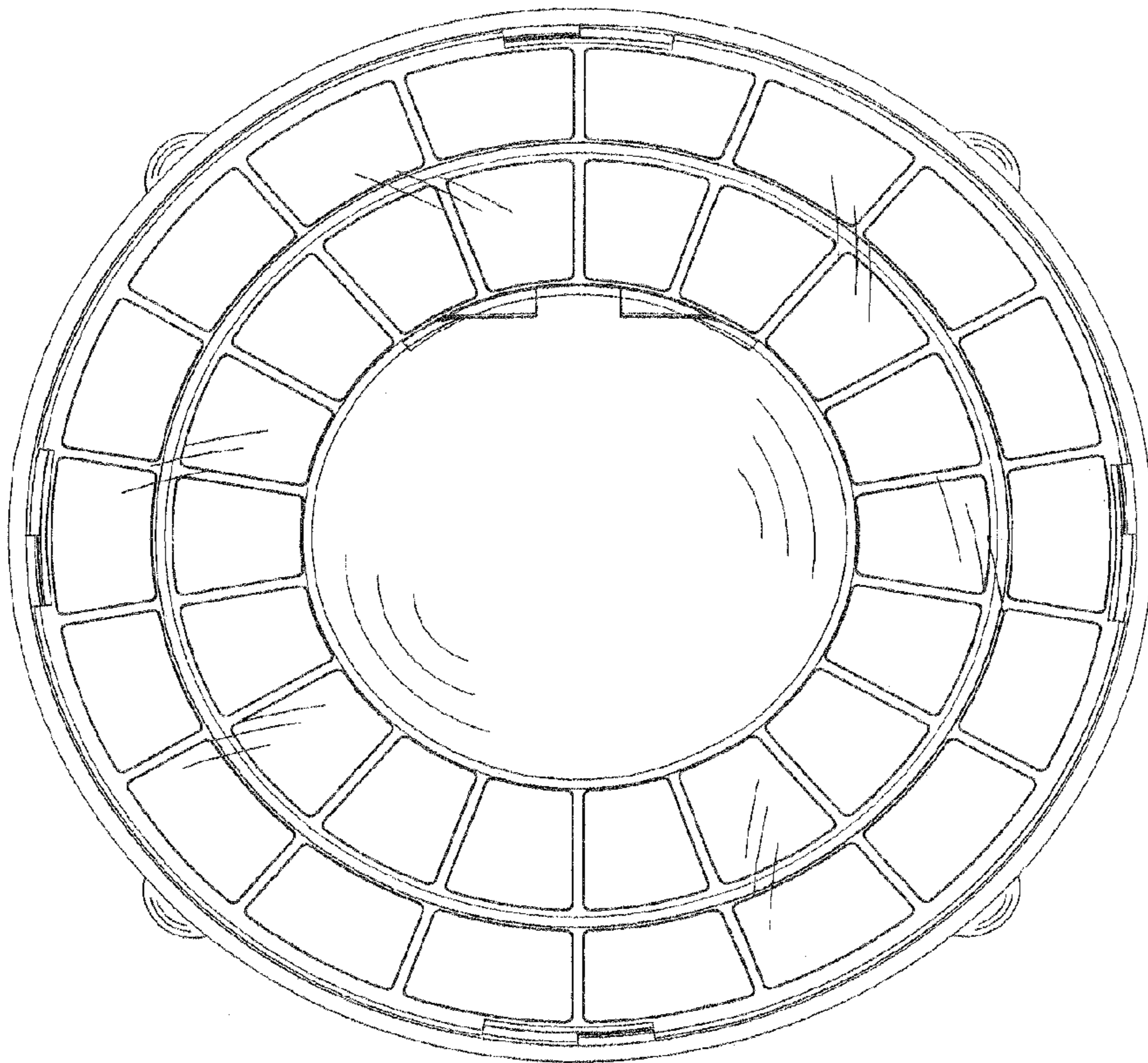


FIG.6

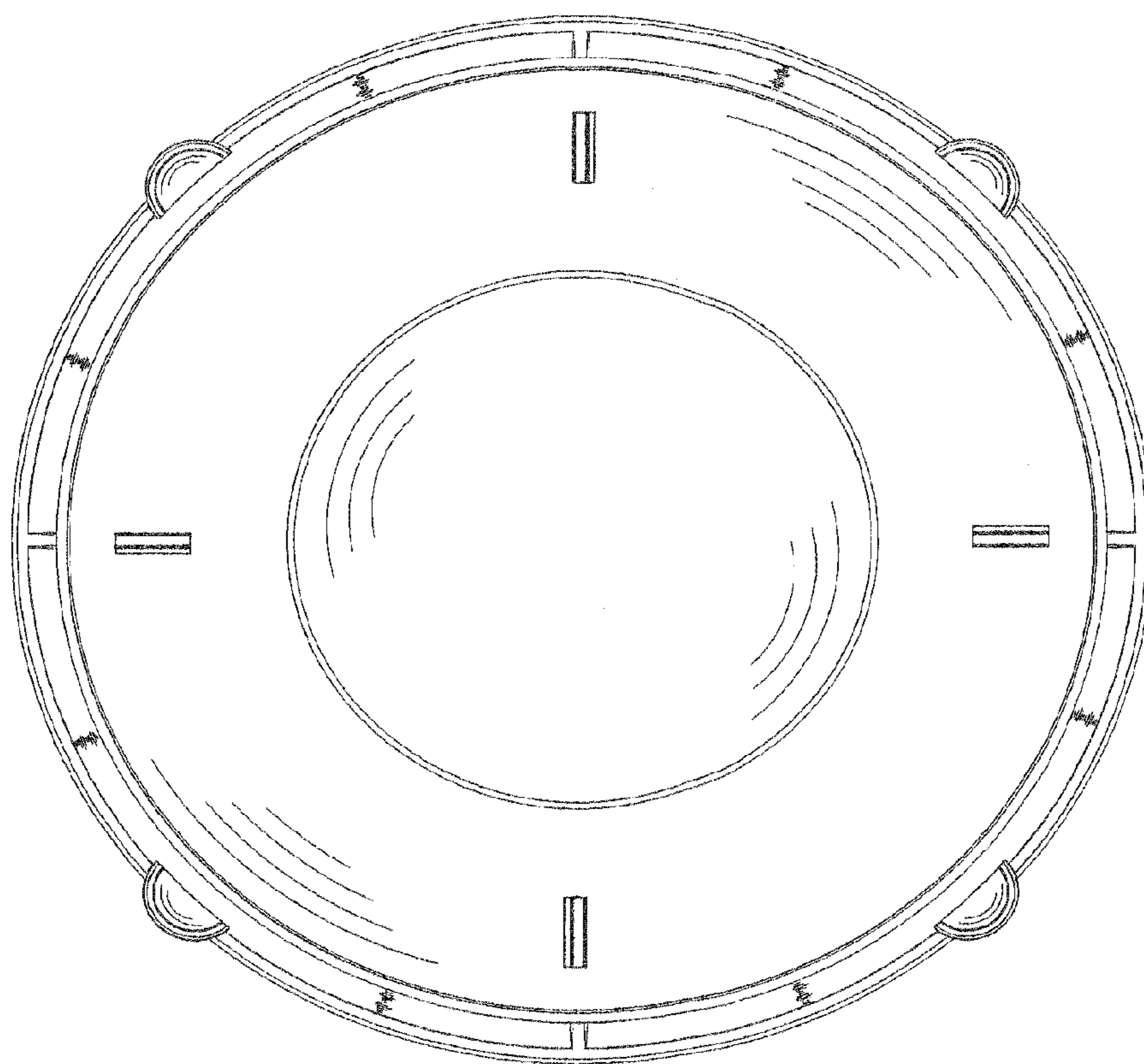


FIG. 7

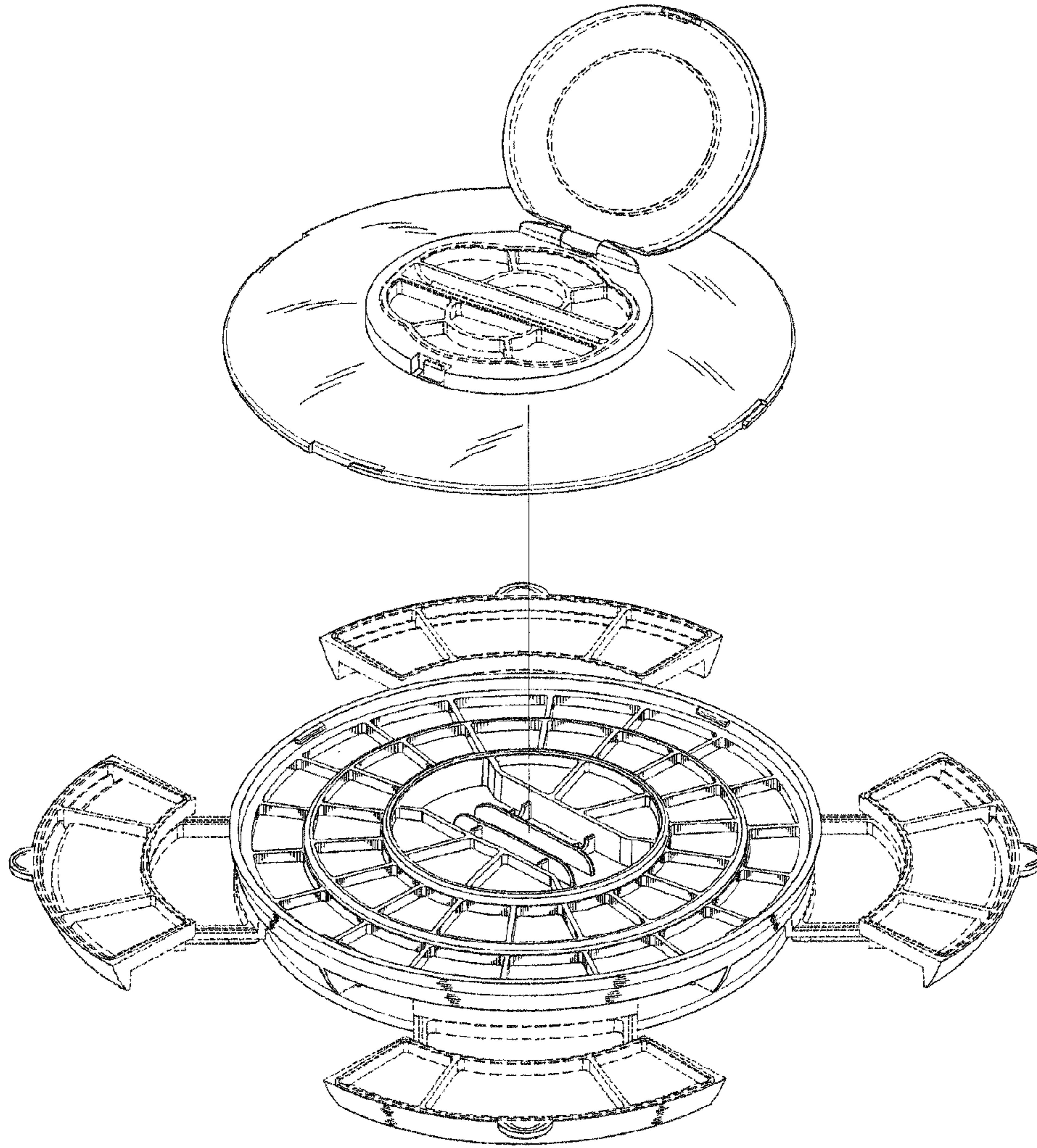


FIG.8