

US00D660517S

(12) **United States Design Patent**  
**Liu et al.**

(10) **Patent No.:** **US D660,517 S**  
(45) **Date of Patent:** **\*\* May 22, 2012**

(54) **COVER OF HAND DRYER**

(75) Inventors: **Shen-Chen Liu**, New Taipei (TW);  
**Cing-Fong Jheng**, New Taipei (TW)

(73) Assignee: **Hokwang Industries Co., Ltd.**, New Taipei (TW)

(\*\*) Term: **14 Years**

(21) Appl. No.: **29/409,069**

(22) Filed: **Dec. 20, 2011**

(51) **LOC (9) Cl.** ..... **28-03**

(52) **U.S. Cl.** ..... **D28/54.1**

(58) **Field of Classification Search** ..... D28/12,  
D28/54.1, 58; 34/266, 201, 202; 392/381,  
392/380; D23/357, 361, 385  
See application file for complete search history.

(56) **References Cited**

**U.S. PATENT DOCUMENTS**

D477,037 S \* 7/2003 O'Connor ..... D20/42  
D542,474 S \* 5/2007 Churchill et al. .... D28/54.1

D548,399 S \* 8/2007 Nikaido et al. .... D28/54.1  
7,657,162 B2 \* 2/2010 Itoigawa et al. .... 392/384  
2007/0263994 A1 \* 11/2007 Diez et al. .... 392/380

\* cited by examiner

*Primary Examiner* — Zenia Bennett

(74) *Attorney, Agent, or Firm* — Muncy, Geissler, Olds & Lowe, PLLC

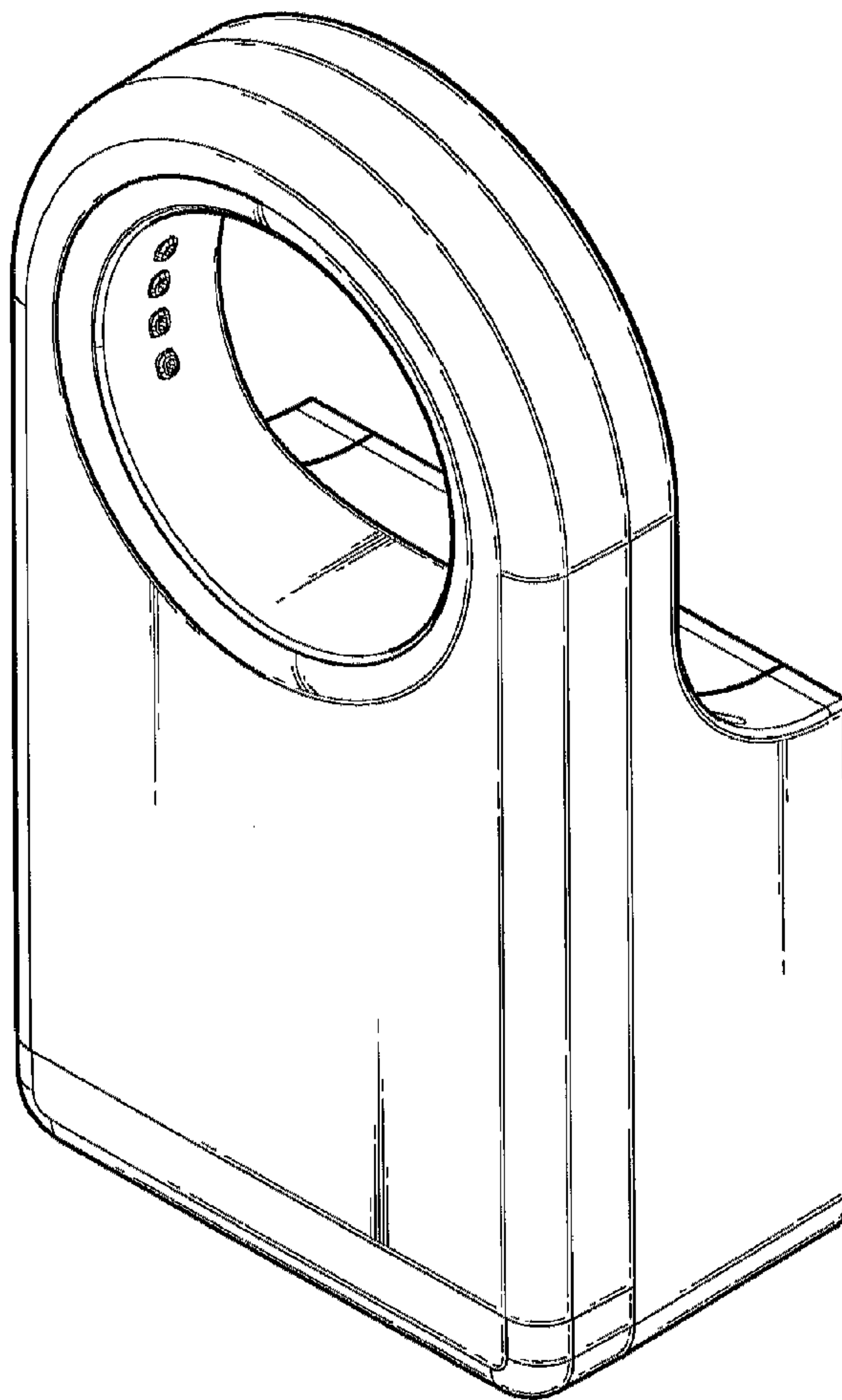
(57) **CLAIM**

The ornamental design for a cover of hand dryer, as shown and described.

**DESCRIPTION**

FIG. 1 is a perspective view of “cover of hand dryer” showing my new design thereof;  
FIG. 2 shows that a right side view thereof;  
FIG. 3 is a top view thereof  
FIG. 4 is a front side elevation view thereof;  
FIG. 5 is a bottom plan view thereof;  
FIG. 6 is a left side elevation view thereof;  
FIG. 7 is a rear perspective view hereof;  
FIG. 8 is another perspective view thereof; and,  
FIG. 9 is another perspective view thereof.

**1 Claim, 9 Drawing Sheets**



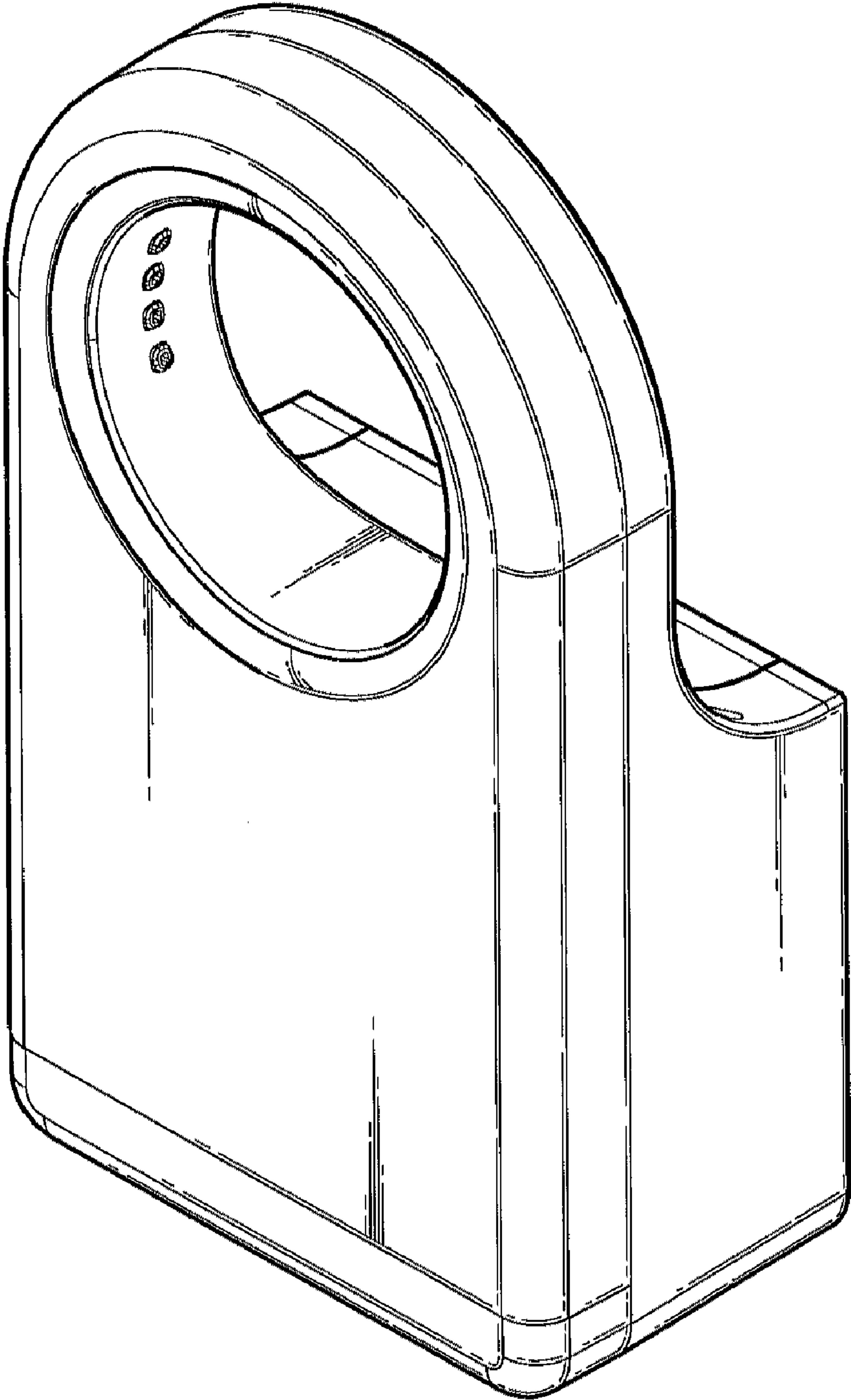


Fig. 1

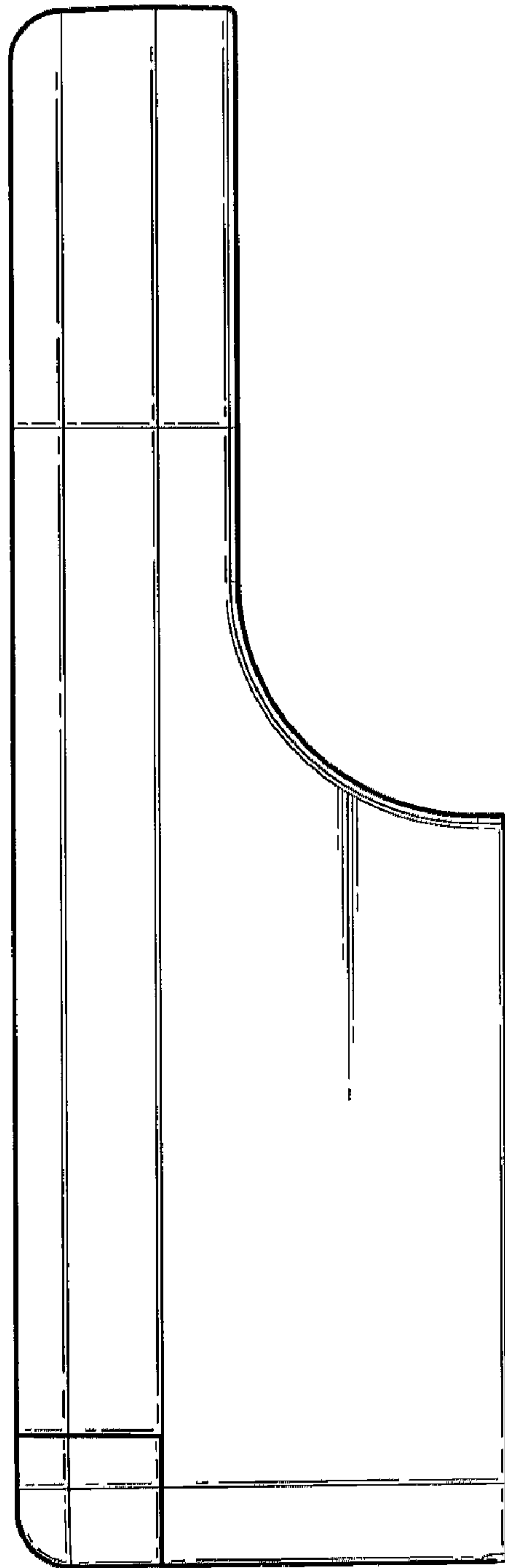


Fig. 2

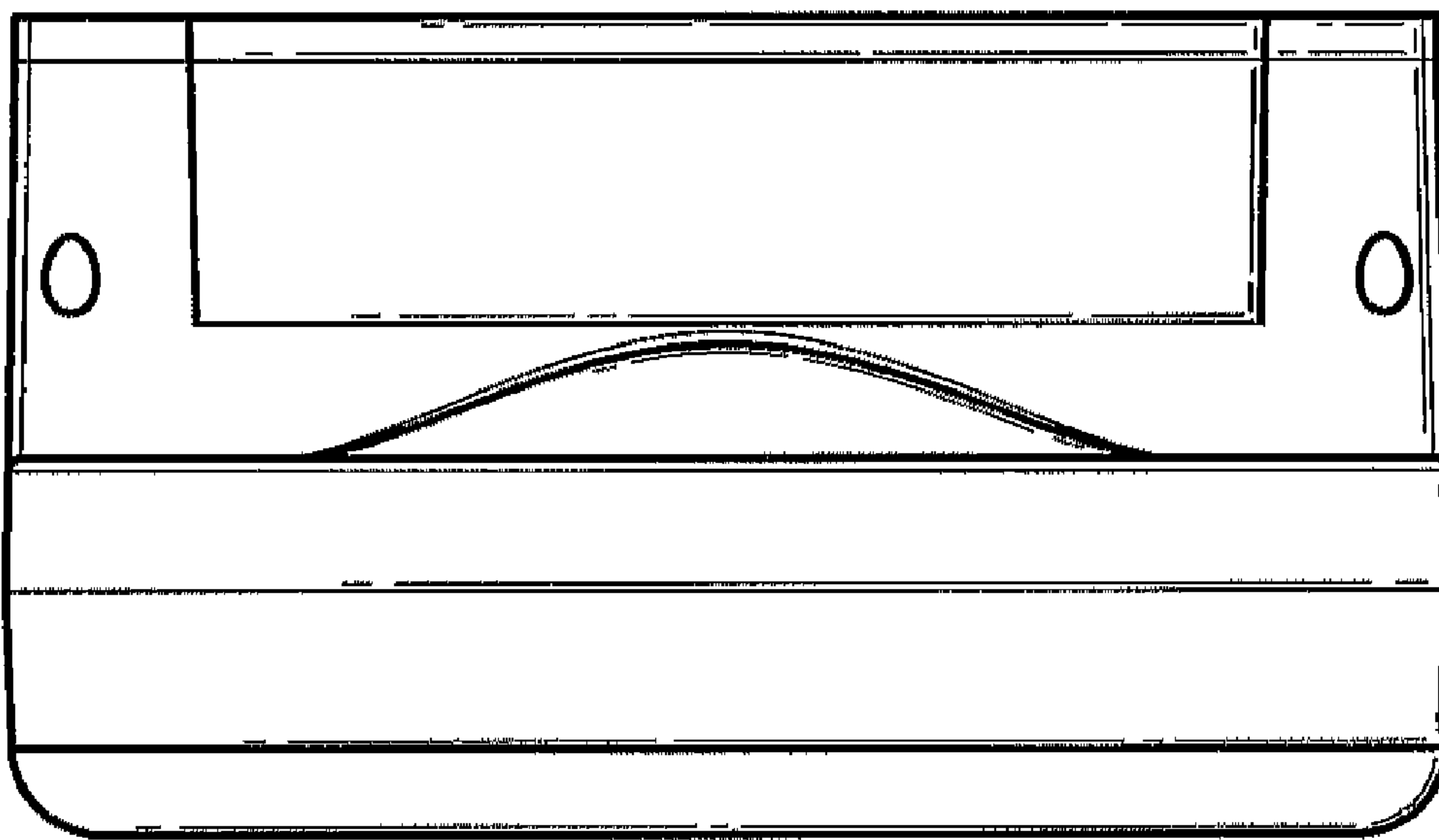


Fig. 3

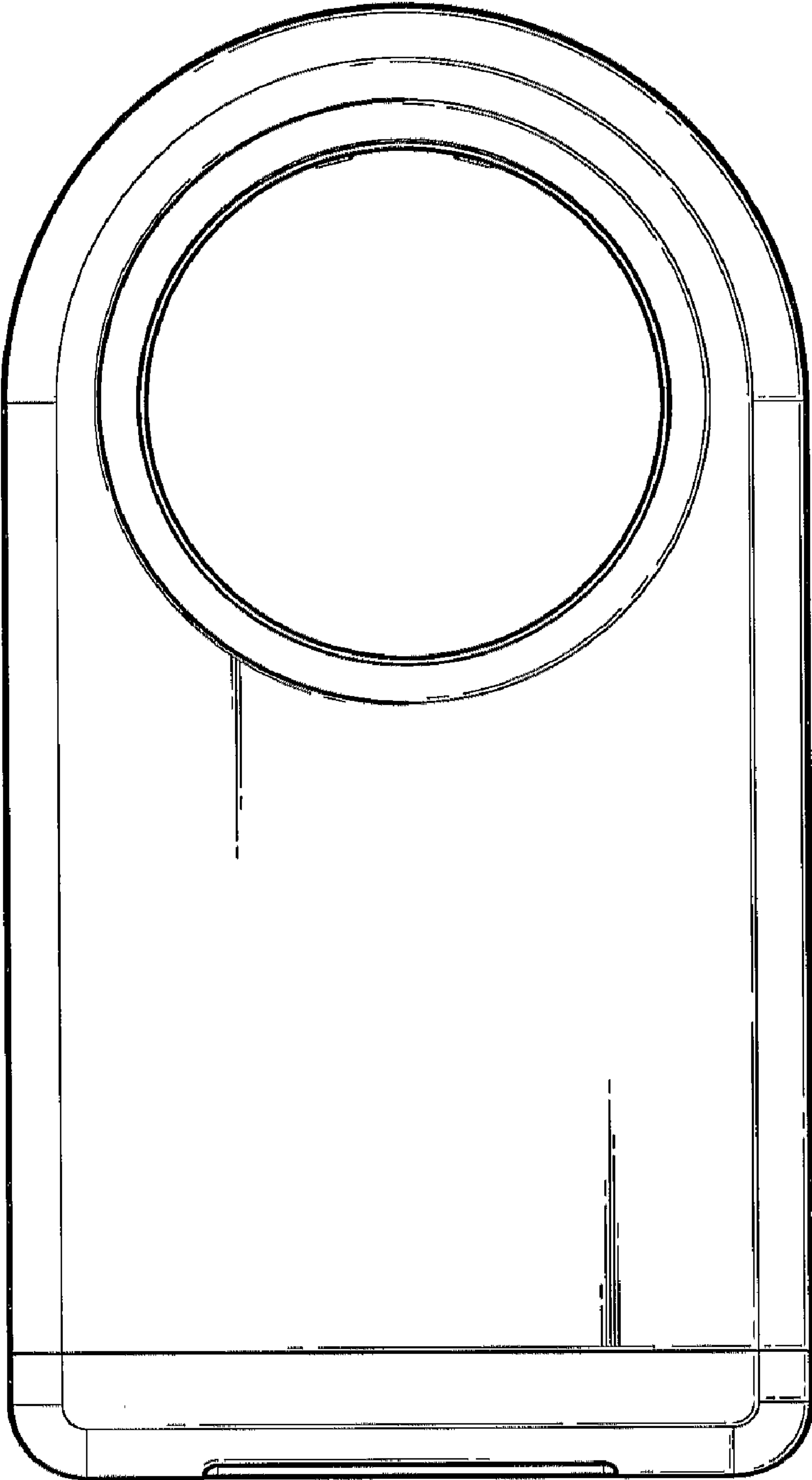


Fig. 4

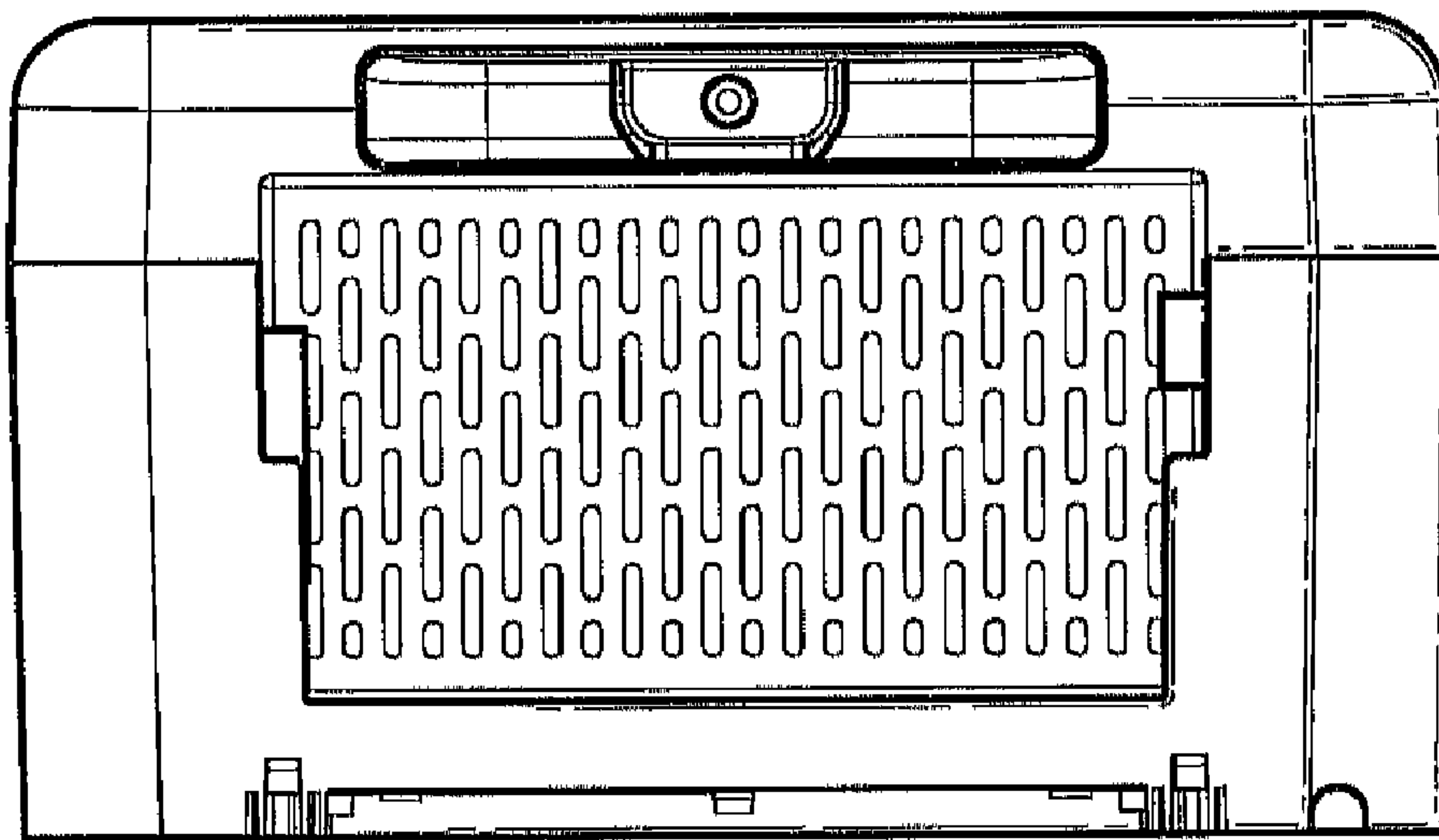


Fig. 5

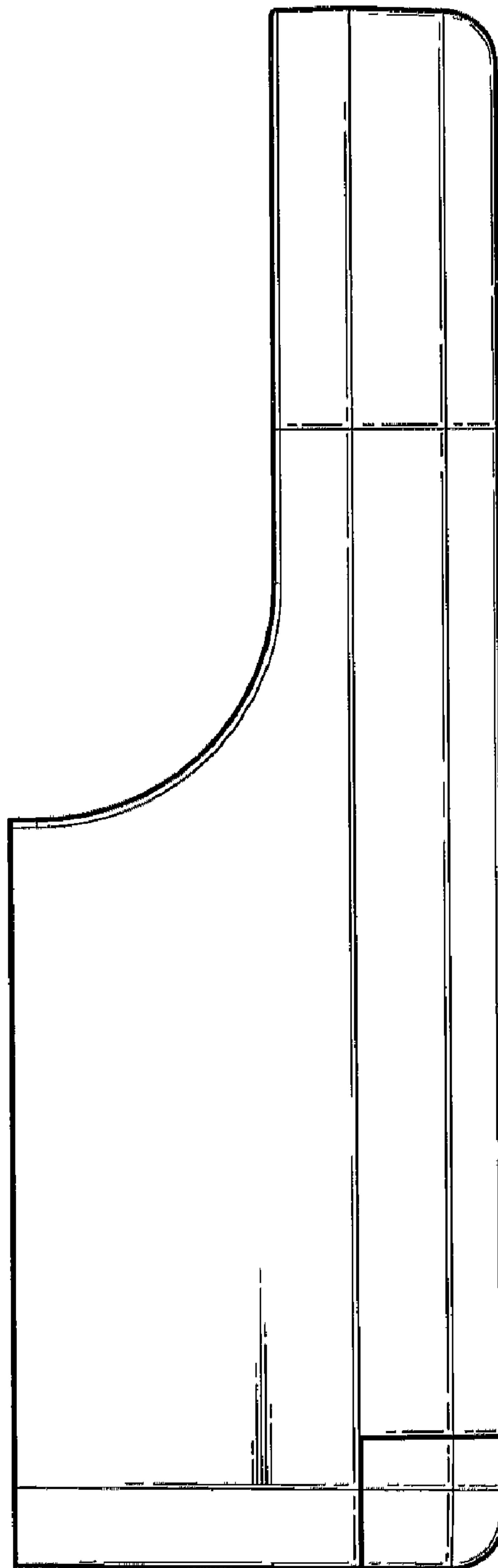


Fig. 6



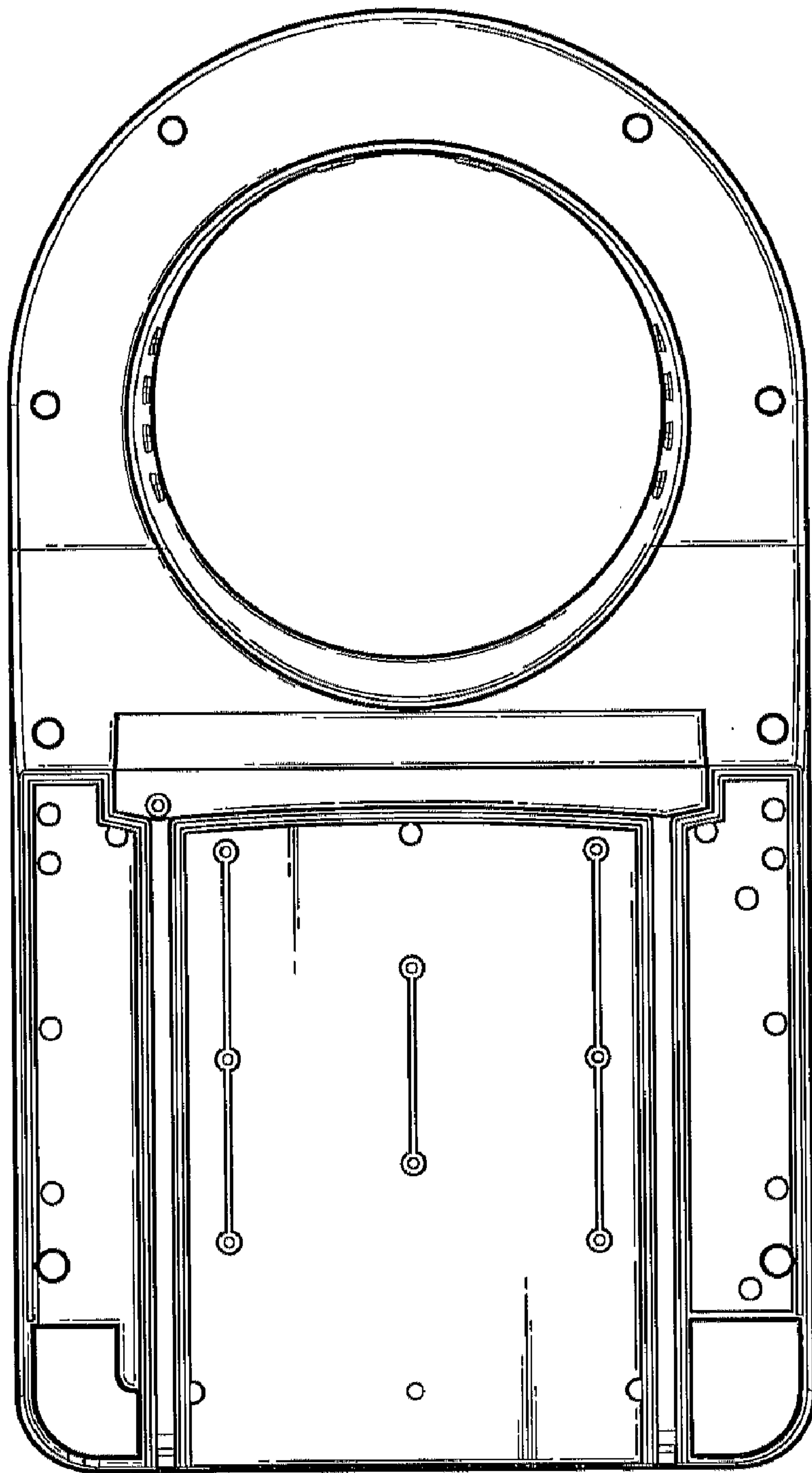


Fig. 7



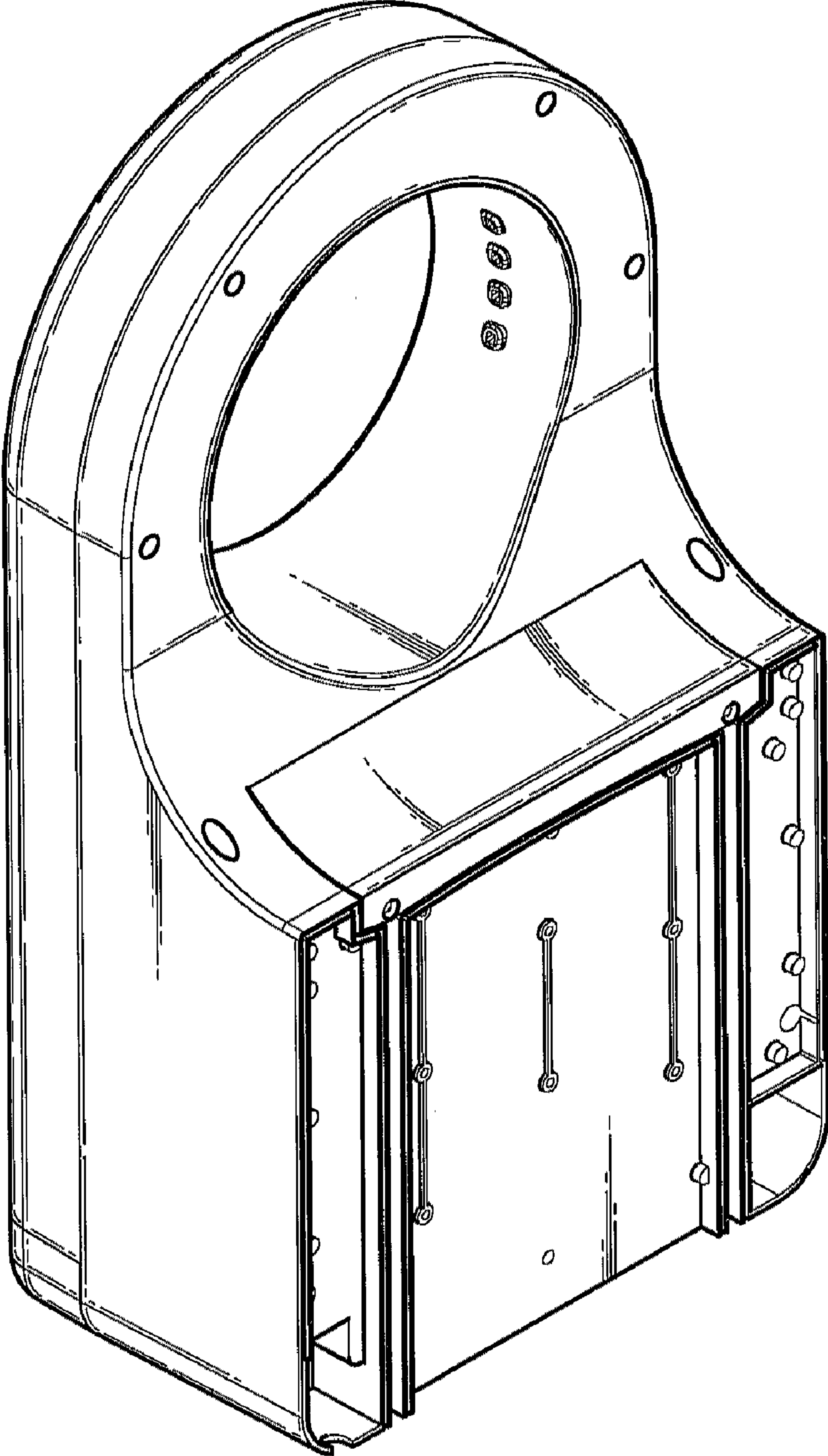


Fig. 8

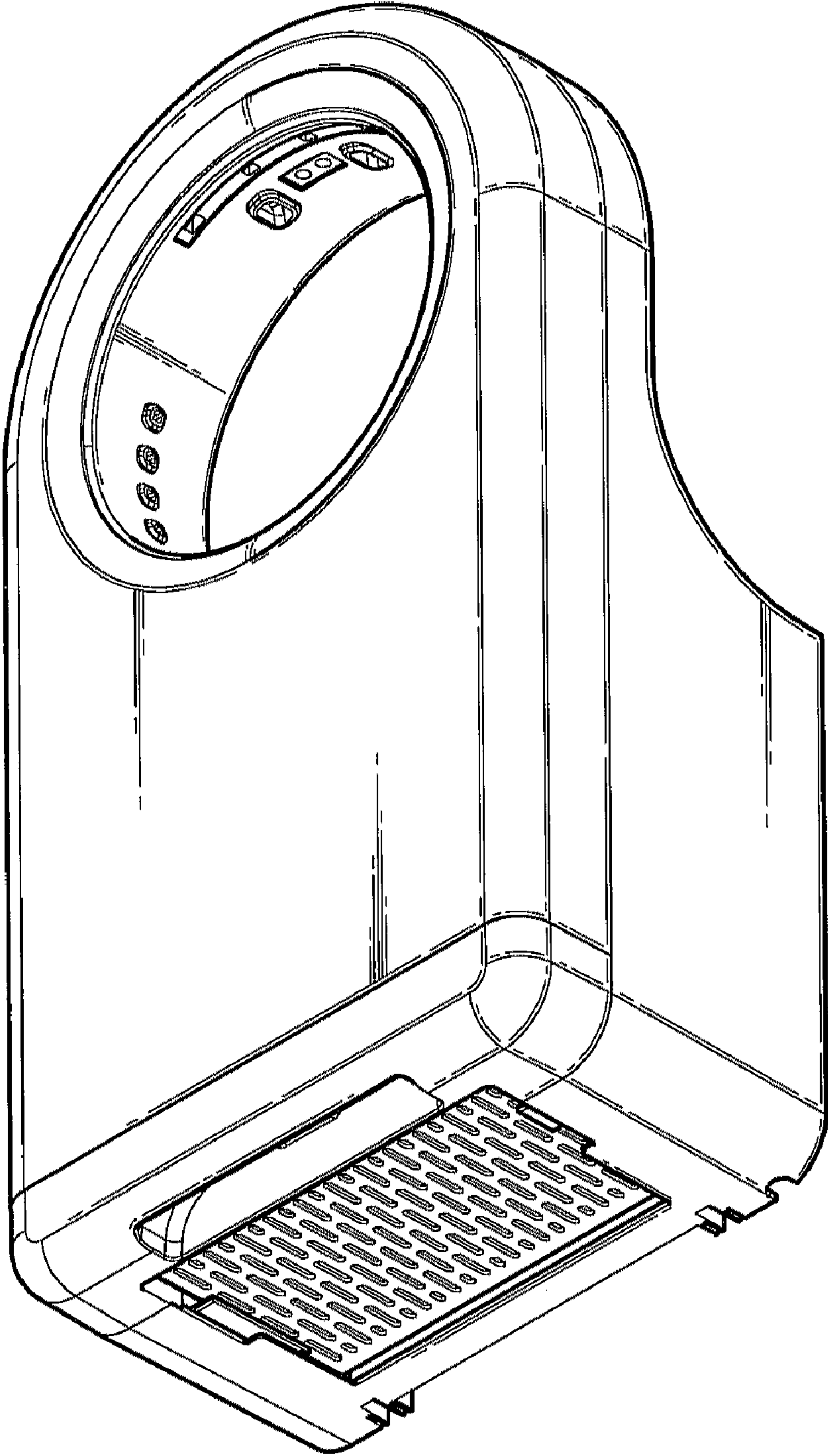


Fig. 9