

US00D660512S

(12) **United States Design Patent**
Aguirre et al.

(10) **Patent No.:** **US D660,512 S**

(45) **Date of Patent:** **** May 22, 2012**

(54) **SMOKING PIPE**

(75) Inventors: **Steven Aguirre**, Westminster, CO (US);
Leland L. Barber, Westminster, CO
(US)

(73) Assignee: **The Fumo Forum, Inc.**, Broomfield, CO
(US)

(**) Term: **14 Years**

(21) Appl. No.: **29/400,870**

(22) Filed: **Sep. 1, 2011**

(51) **LOC (9) Cl.** **27-02**

(52) **U.S. Cl.** **D27/163**

(58) **Field of Classification Search** D27/163,
D27/187, 162, 164, 165, 194, 139, 141, 143,
D27/144, 157, 155, 153, 154, 156, 142, 159,
D27/166, 167, 168, 169, 170, 101; 131/351,
131/185, 329, 173, 227, 194, 175, 300; 431/255,
431/143, 253, 254, 153, 132, 229

See application file for complete search history.

(56) **References Cited**

U.S. PATENT DOCUMENTS

D239,947 S *	5/1976	Frost	D27/170
D246,603 S *	12/1977	Frost	D27/163
D246,604 S *	12/1977	Frost	D27/163
D247,121 S *	1/1978	Graham	D27/163
D248,672 S *	7/1978	Graham	D27/169

* cited by examiner

Primary Examiner — Kevin Rudzinski

(74) *Attorney, Agent, or Firm* — A Law Firm, PC, Aileen Law

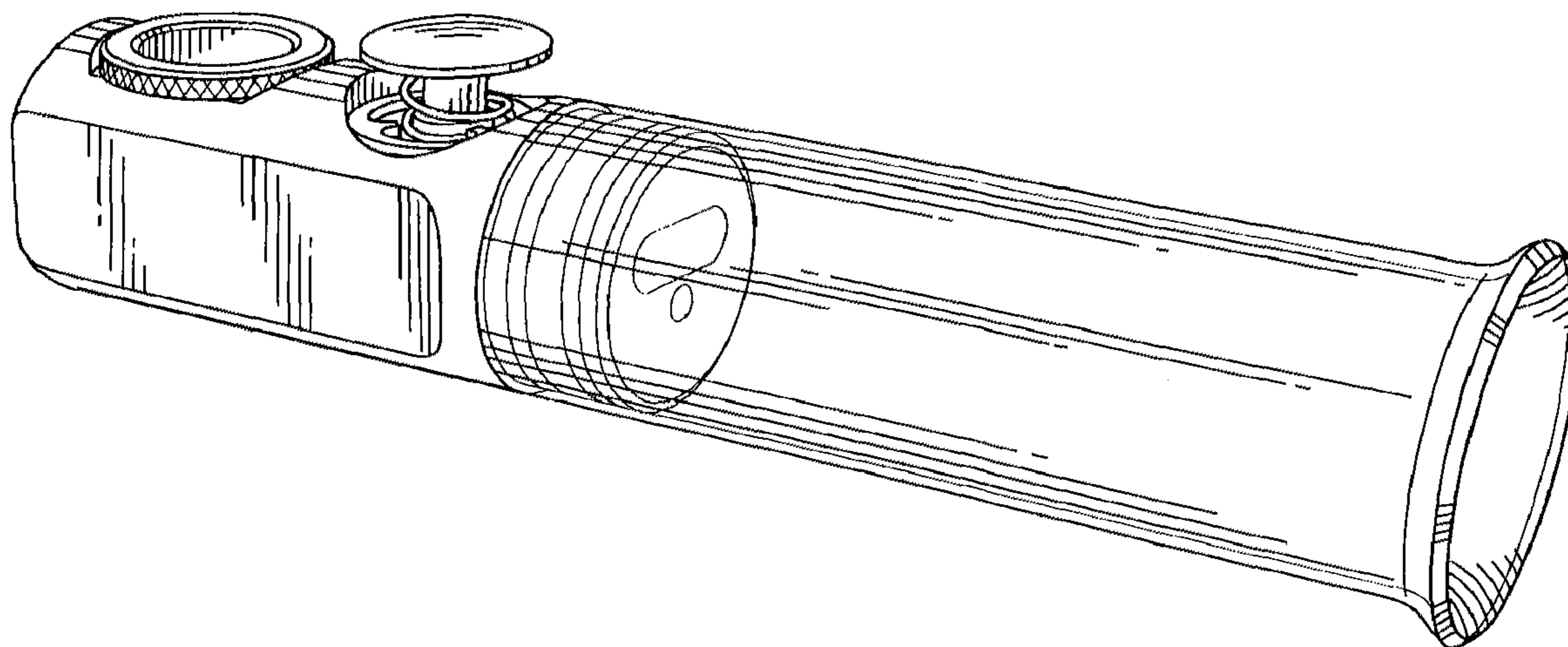
(57) **CLAIM**

The ornamental design for a smoking pipe, as shown and described.

DESCRIPTION

FIG. 1 is a front elevational view showing our new design for a smoking pipe;
FIG. 2 is a back elevational view thereof;
FIG. 3 is a right side view thereof;
FIG. 4 is a left side view thereof;
FIG. 5 is a top plan view thereof;
FIG. 6 is a bottom plan view thereof; and,
FIG. 7 is a top, front, and right perspective view thereof.

1 Claim, 2 Drawing Sheets



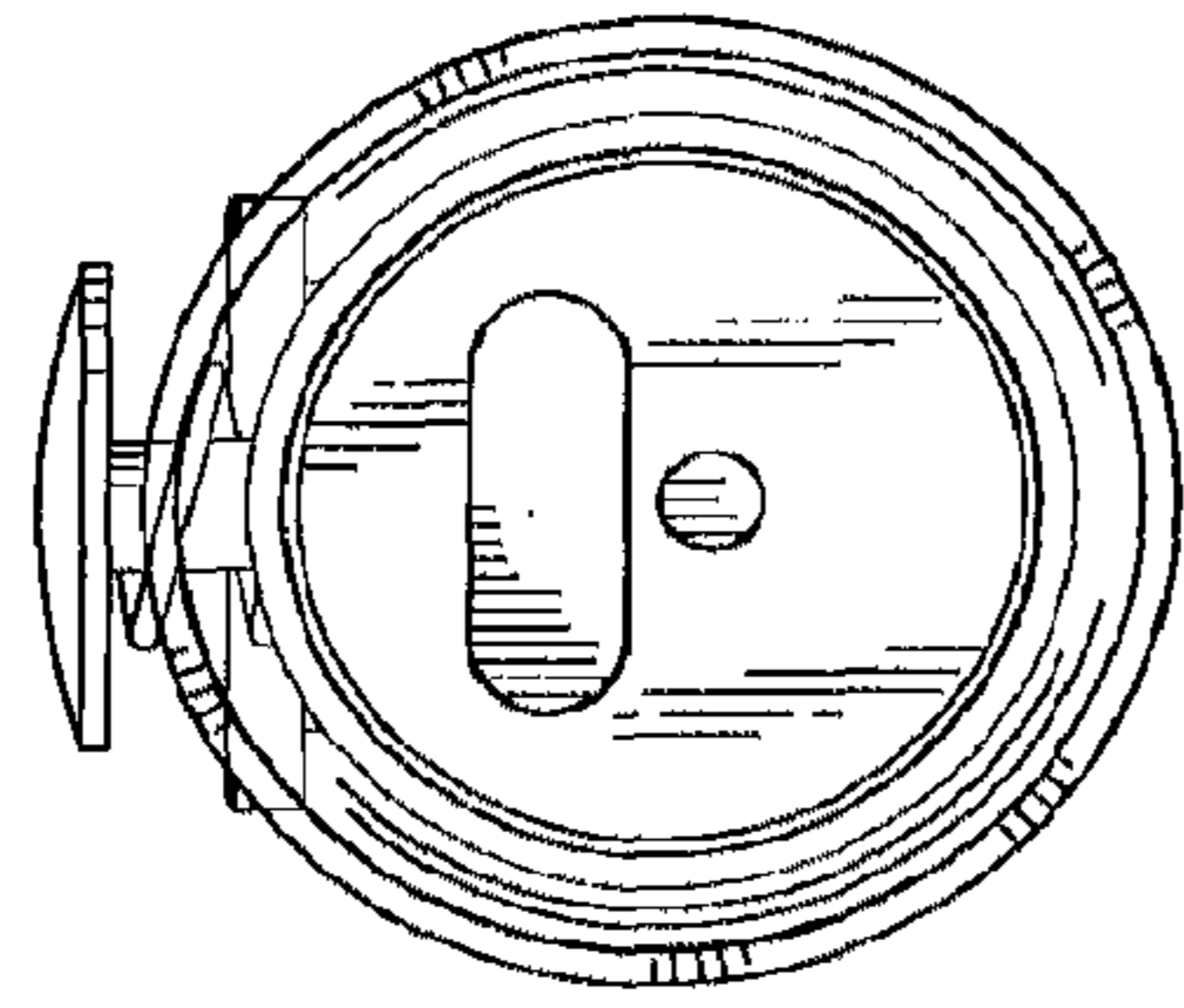


FIG.3

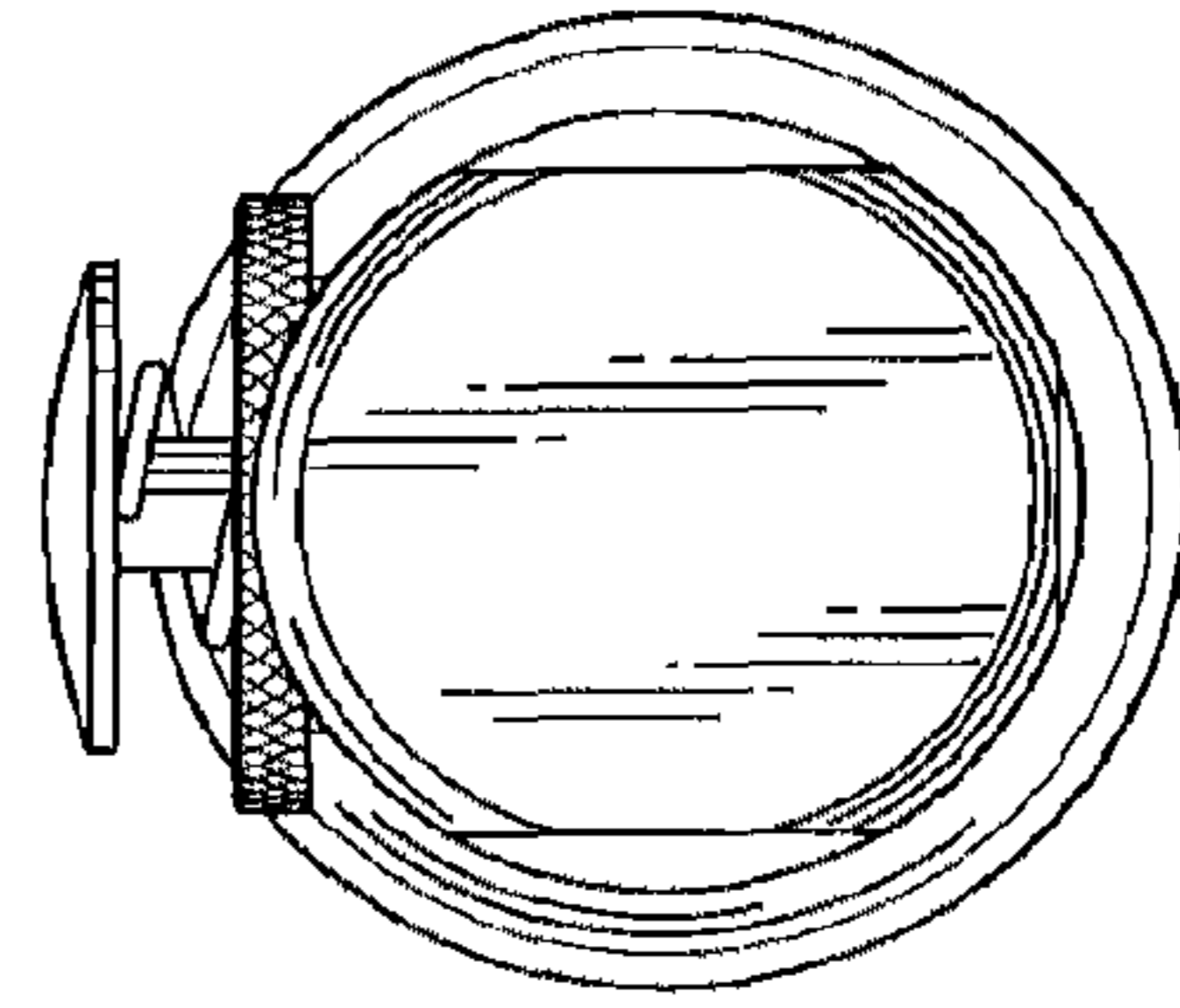


FIG.4

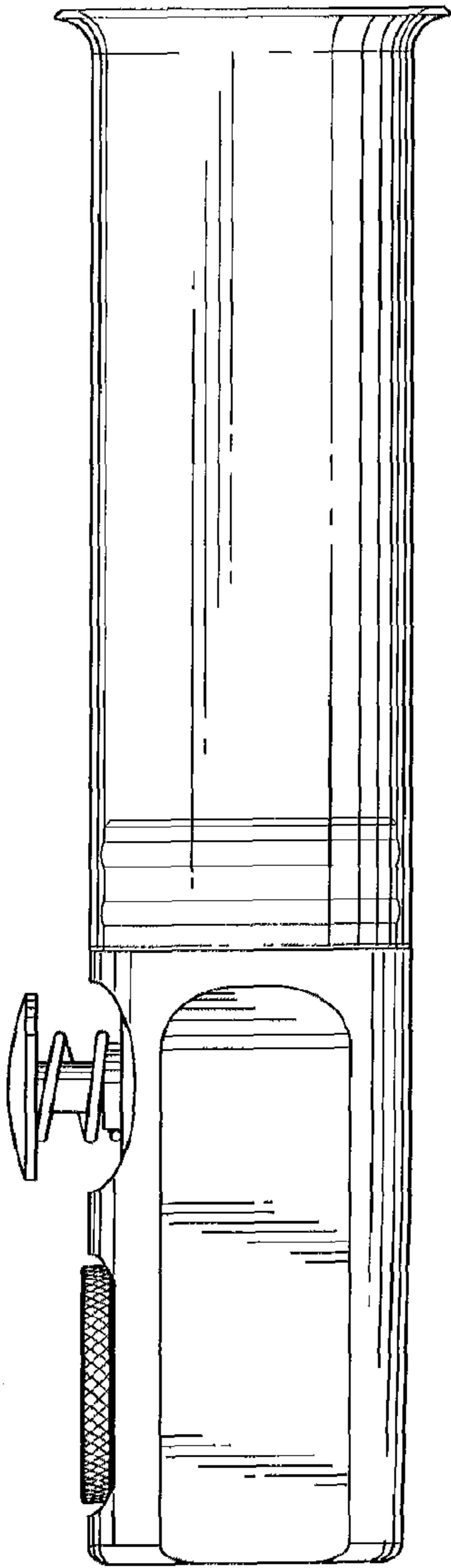


FIG.1

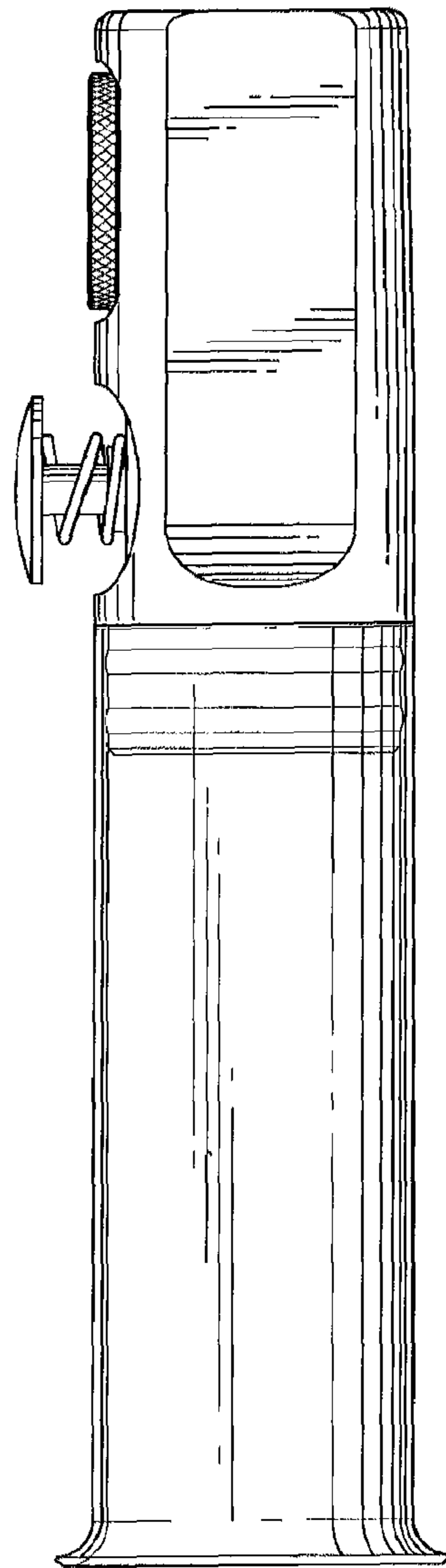


FIG.2

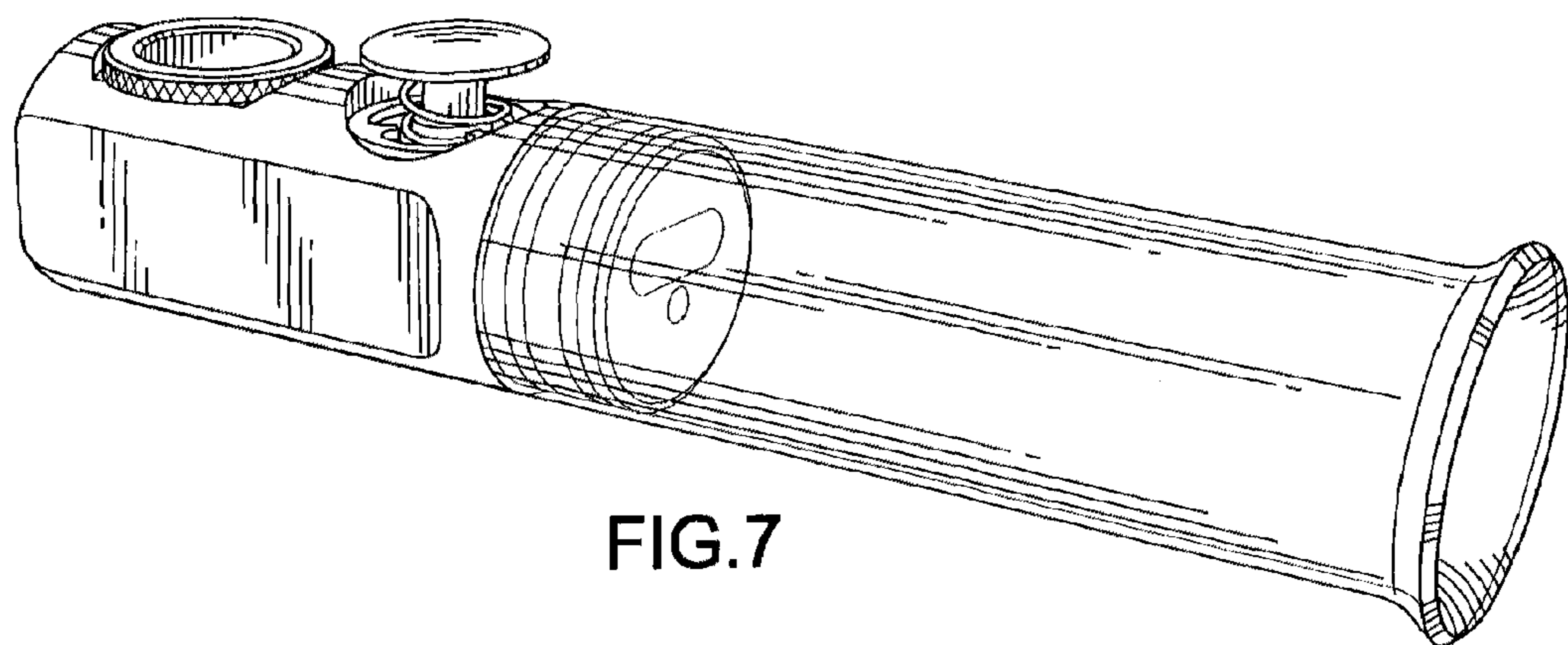
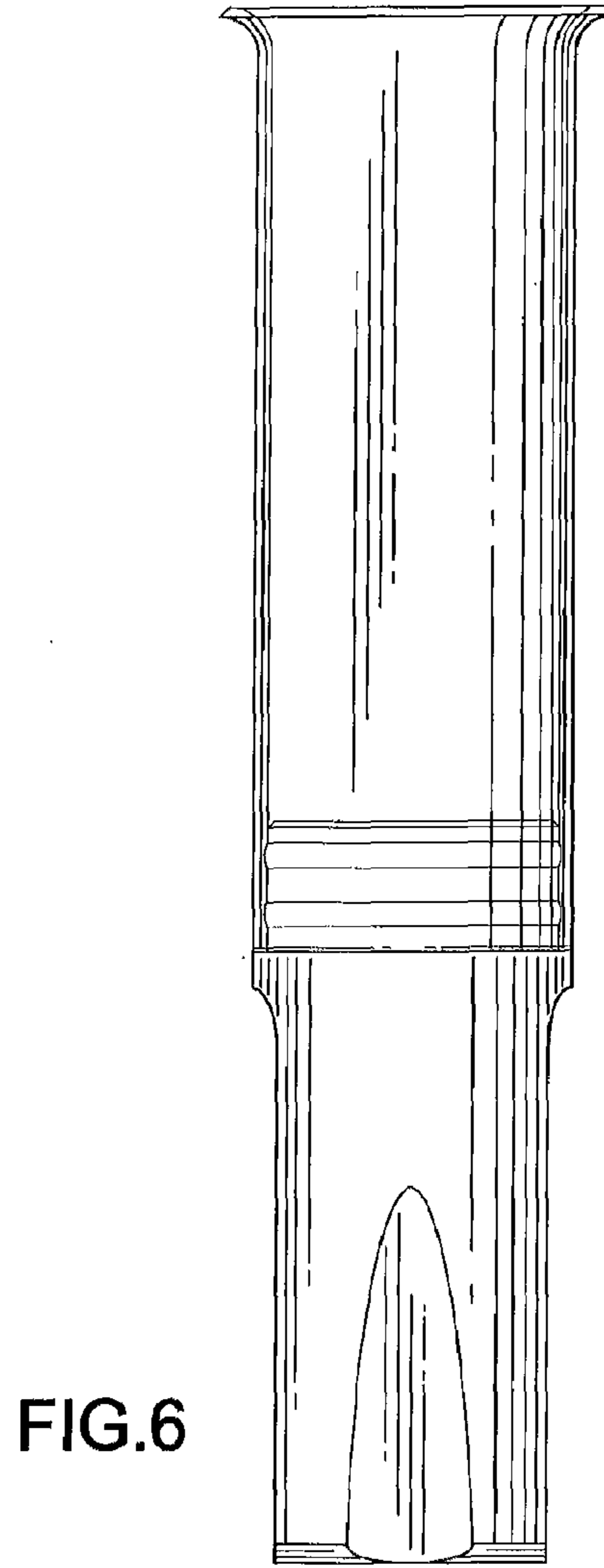
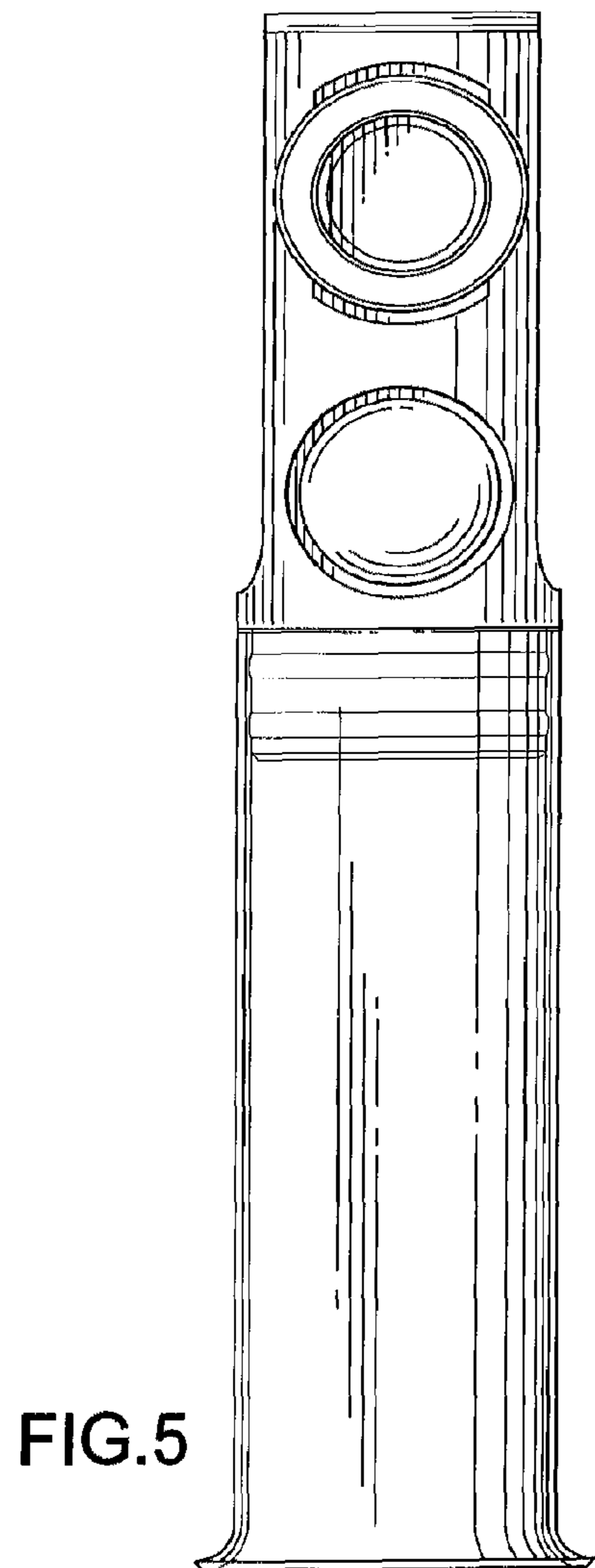


FIG. 7