



US00D660509S

(12) **United States Design Patent**
Hsu et al.

(10) **Patent No.:** **US D660,509 S**

(45) **Date of Patent:** **** May 22, 2012**

(54) **LED LAMP**

(75) Inventors: **Chih-Wei Hsu**, Taipei Hsien (TW);
Po-Hsun Yu, Taipei County (TW)

(73) Assignee: **Edison Opto Corporation**, Taipei Hsien (TW)

(**) Term: **14 Years**

(21) Appl. No.: **29/360,240**

(22) Filed: **Apr. 22, 2010**

(51) **LOC (9) Cl.** **26-99**

(52) **U.S. Cl.** **D26/142**

(58) **Field of Classification Search** D26/38,
D26/36, 46, 73, 76, 81, 84, 88, 118, 138,
D26/120, 13, 154, 155, 145, 86, 87, 85, 142,
D26/61, 24, 93, 92, 153, 91, 89, 74, 121,
D26/122, 71, 110, 105, 111, 131, 83, 80,
D26/1, 2, 3, 4, 5, 26, 123, 125, 128, 63, 62,
D26/64, 65, 41, 69, 139, 152, 150, 151-141,
D26/143, 144, 51, 140; 362/269, 648, 238,
362/111, 105, 86, 373, 294, 362, 297, 346,
362/341, 356, 352, 433, 404, 235, 240, 249.01-249.11,
362/321, 287, 374, 427, 190, 281, 324, 272,
362/244, 555, 147, 348, 263, 350; D10/11,
D10/114.1; D22/108; 42/146, 117, 114,
42/115, 116, 142, 1.01; 439/110; 403/92,
403/97; 285/69, 78, 65; 257/89; D16/221;
D13/110, 133, 134, 179, 180, 182; 160/332;
D11/90, 89, 121, 125, 131; D25/119, 124,
D25/125, 138; D23/386; D8/373, 354, 349,
D8/389, 382, 363, 356, 377

See application file for complete search history.

(56) **References Cited**

U.S. PATENT DOCUMENTS

D63,868 S * 2/1924 Belt D26/37
D167,268 S * 7/1952 Lordo D26/24
D200,069 S * 1/1965 Van Steenhoven D26/88
D220,207 S * 3/1971 Edman et al. D26/67

D268,876 S * 5/1983 Leithauser, Jr. D26/72
D291,557 S * 8/1987 Engel D13/135
D294,976 S * 3/1988 Ewing D26/85
D415,104 S * 10/1999 Klaus et al. D13/134
5,964,615 A * 10/1999 Endres 439/419
D425,024 S * 5/2000 Klaus et al. D13/134
D433,526 S * 11/2000 Minissi et al. D26/88
D436,211 S * 1/2001 Neeld et al. D26/85
6,586,672 B2 * 7/2003 Kobus et al. 174/50
D488,880 S * 4/2004 Rahn D26/72
D490,181 S * 5/2004 Redfern D26/72
D520,670 S * 5/2006 Wachter D26/142
7,303,301 B2 * 12/2007 Koren et al. 362/101
D570,036 S * 5/2008 Conroy D26/138
D581,576 S * 11/2008 Montalbano et al. D26/89
D584,851 S * 1/2009 Keller D26/89

(Continued)

Primary Examiner — Kevin Rudzinski

(74) *Attorney, Agent, or Firm* — Rosenberg, Klein & Lee

(57) **CLAIM**

The ornamental design for an LED lamp, as shown and described.

DESCRIPTION

FIG. 1 is a perspective view of an LED lamp showing our new design.

FIG. 2 is a front elevational view thereof.

FIG. 3 is a rear elevational view thereof.

FIG. 4 is a left side elevational view thereof.

FIG. 5 is a right side elevational view thereof.

FIG. 6 is a top plan view thereof.

FIG. 7 is a bottom plan view thereof.

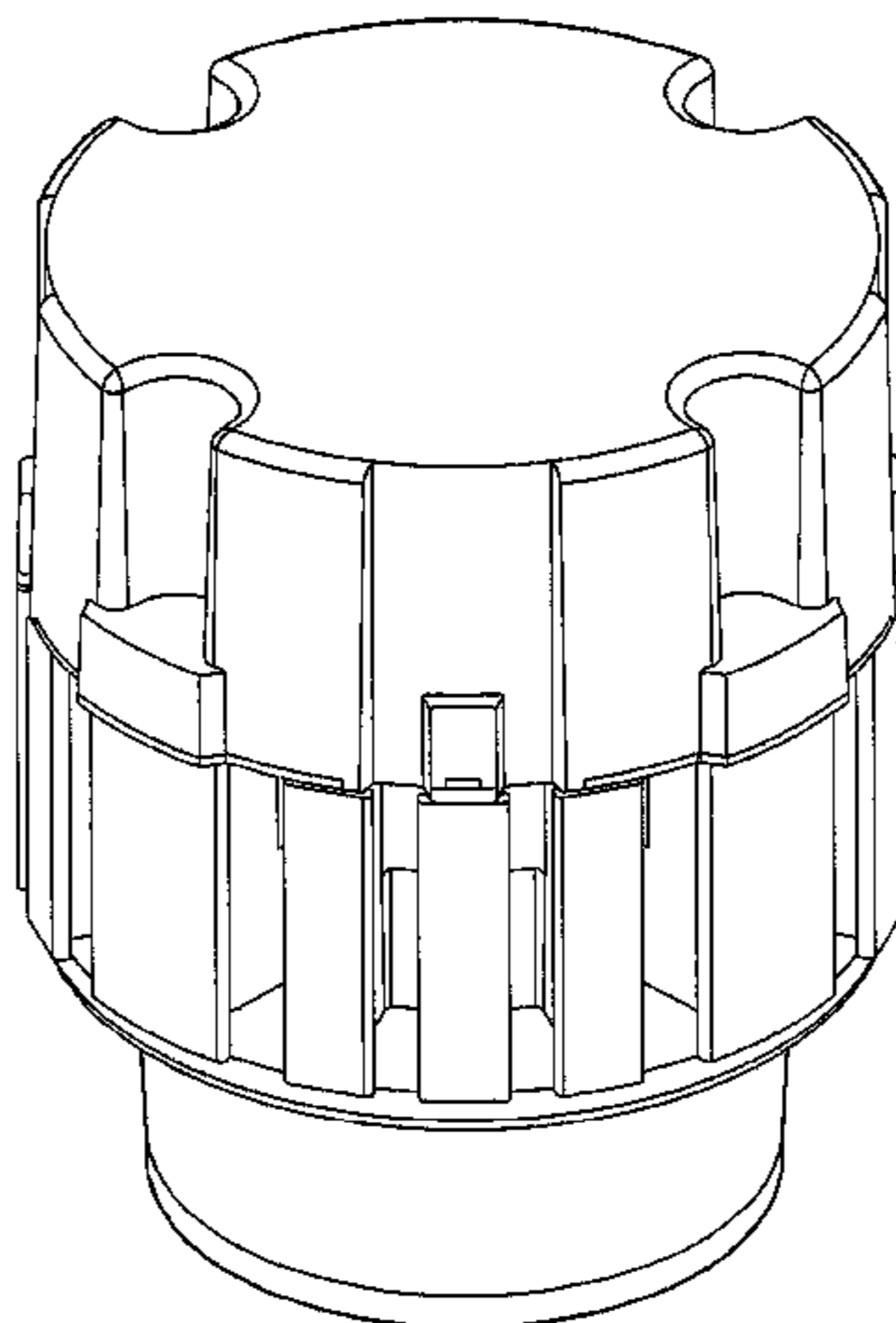
FIG. 8 is a perspective view showing the LED lamp with a hanging ring.

FIG. 9 is a perspective view showing the LED lamp with a connector connected with two strings; and,

FIG. 10 is a perspective view showing the LED lamp with a hanging stick.

The broken lines shown in the drawings illustrate environmental structure and form no part of the claimed design.

1 Claim, 10 Drawing Sheets



US D660,509 S

Page 2

U.S. PATENT DOCUMENTS

D588,298	S *	3/2009	Sabernig	D26/88	D627,507	S *	11/2010	Lai et al.	D26/138
7,513,653	B1 *	4/2009	Liu et al.	362/294	D627,727	S *	11/2010	Alexander et al.	D13/134
D591,894	S *	5/2009	Flank	D26/74	7,950,829	B2 *	5/2011	Chiu et al.	362/294
7,553,047	B2 *	6/2009	Shin et al.	362/294	D639,488	S *	6/2011	Yoshida et al.	D26/89
D596,330	S *	7/2009	Pickard et al.	D26/74	7,972,040	B2 *	7/2011	Li et al.	362/311.02
7,699,489	B2 *	4/2010	Hagen	362/153.1						

* cited by examiner

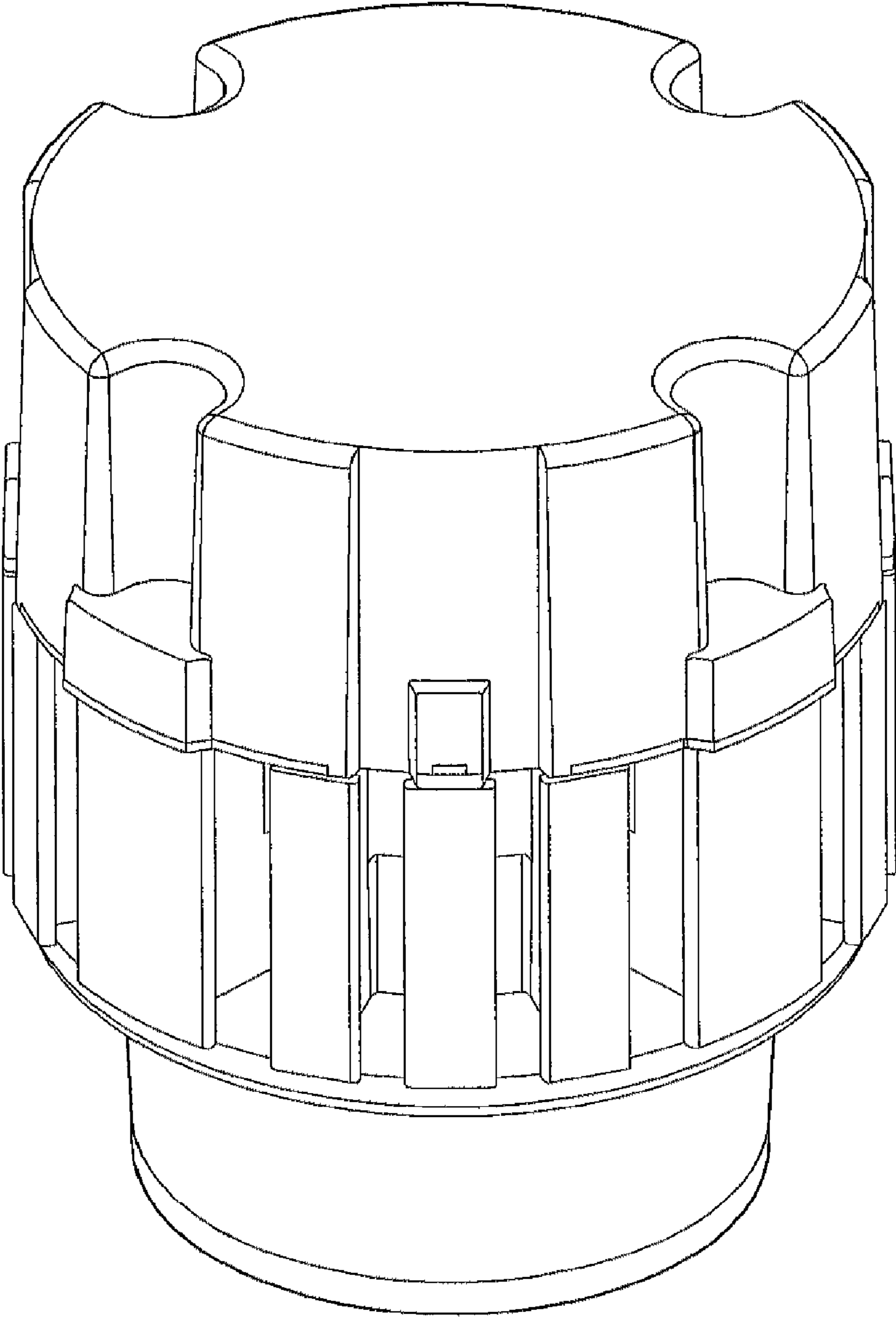


FIG. 1

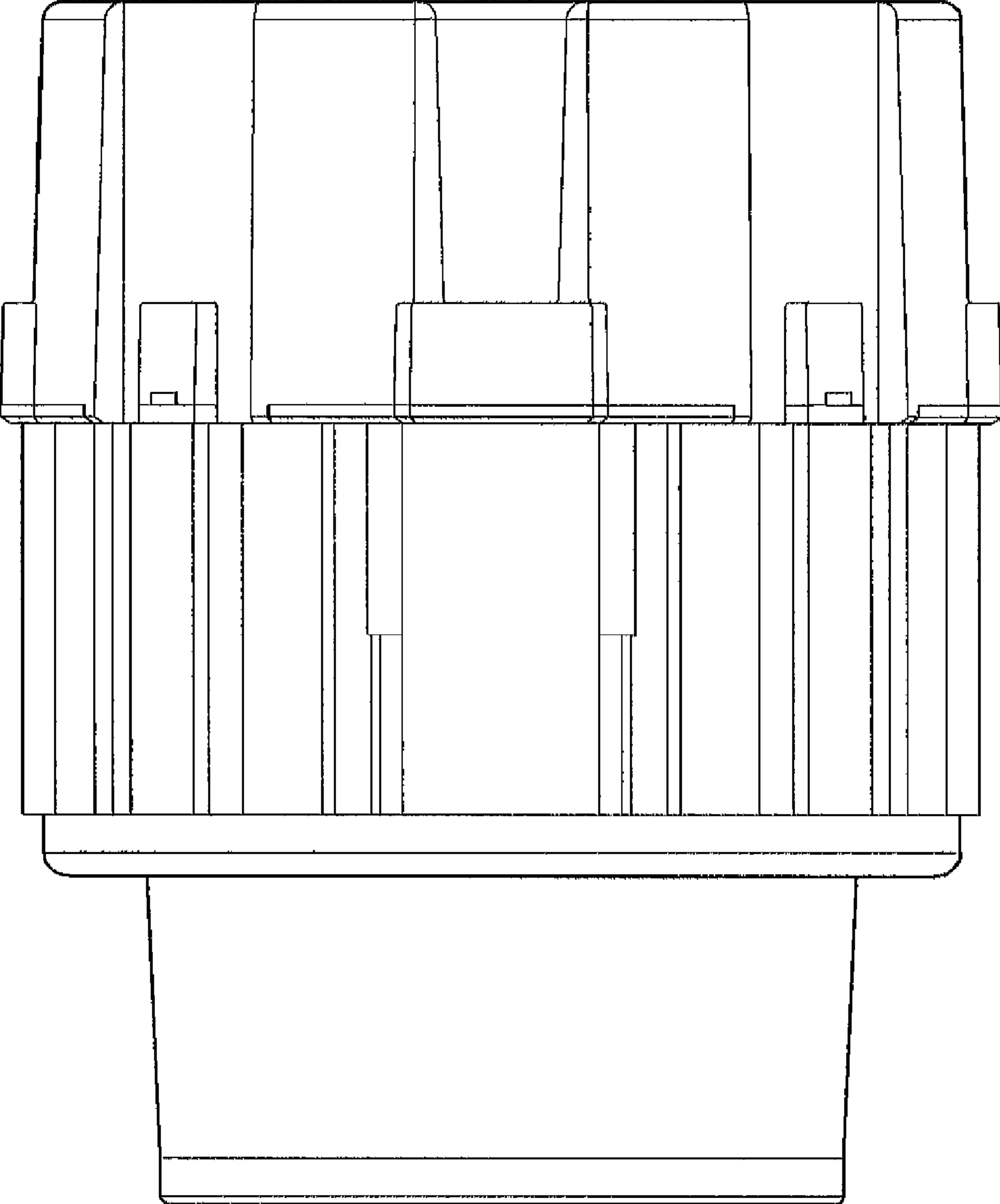


FIG.2

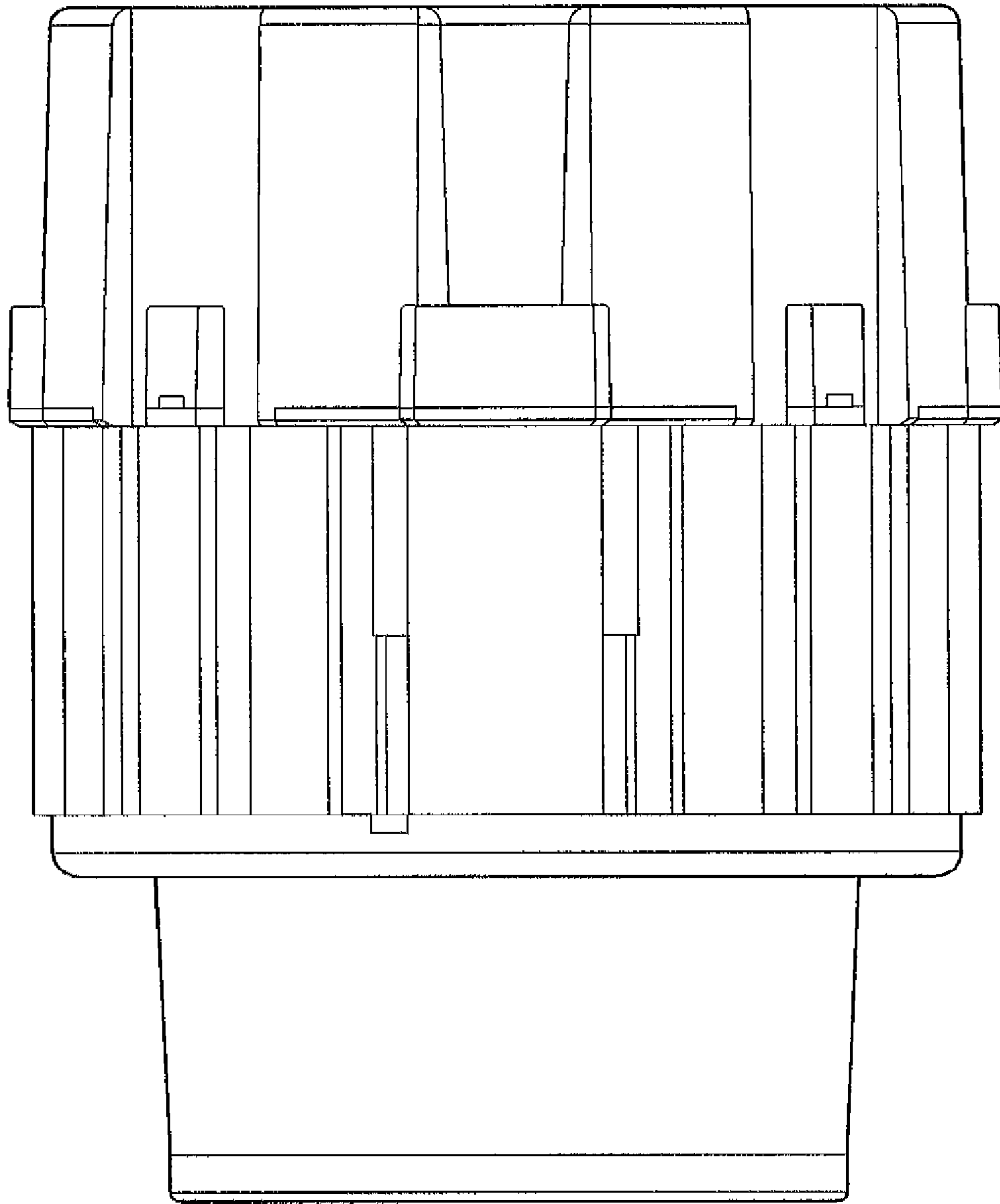


FIG. 3

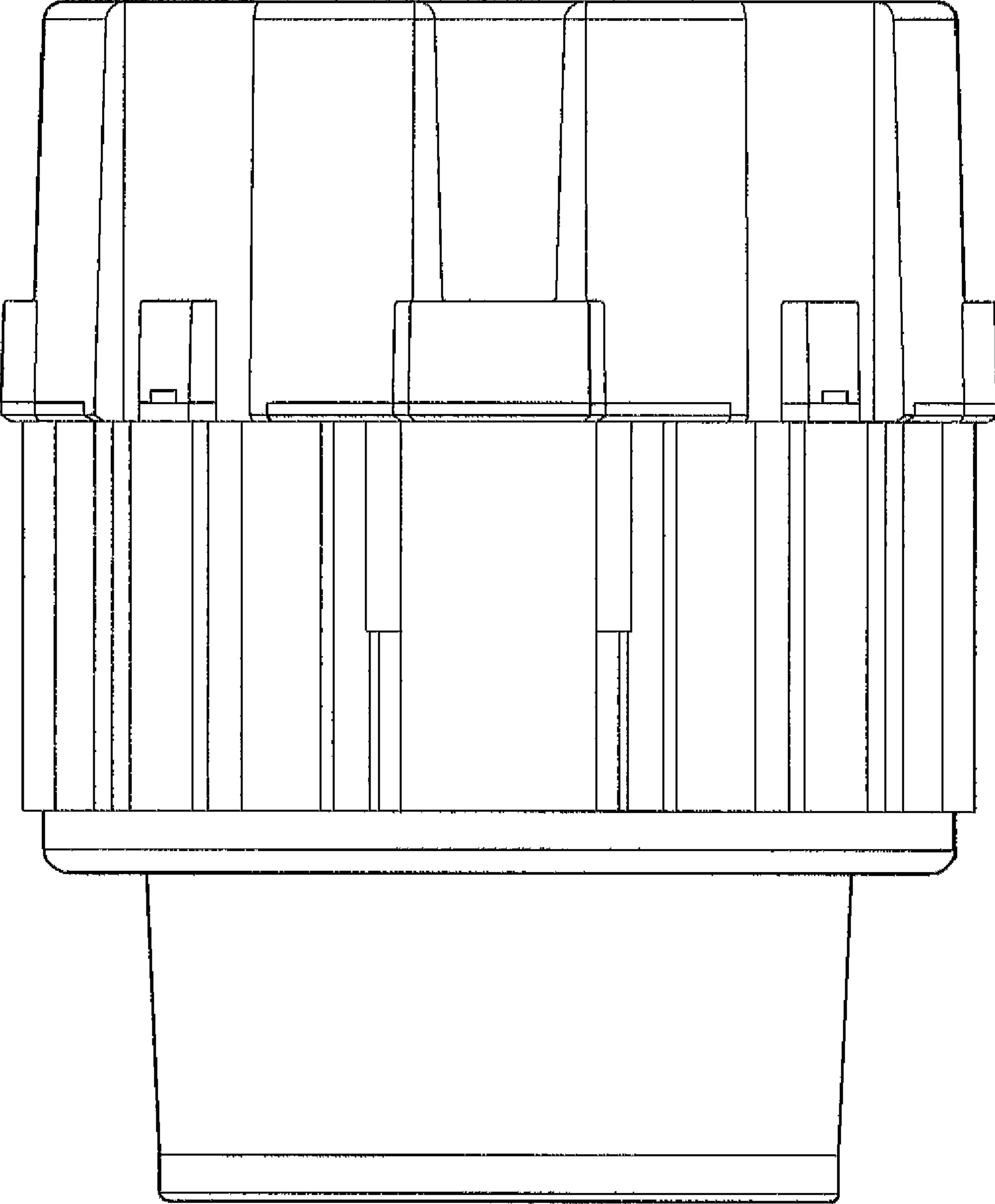


FIG. 4

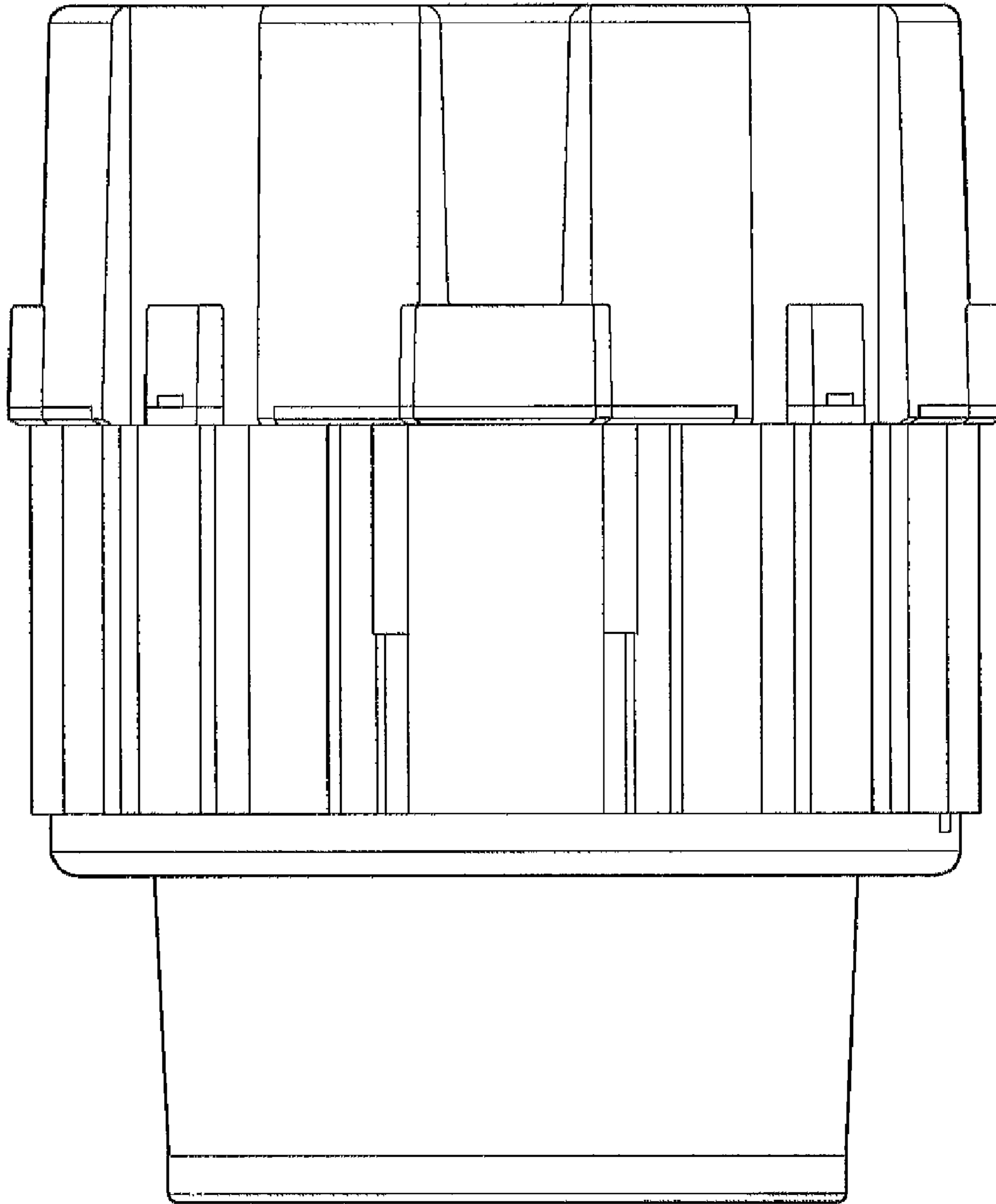


FIG. 5

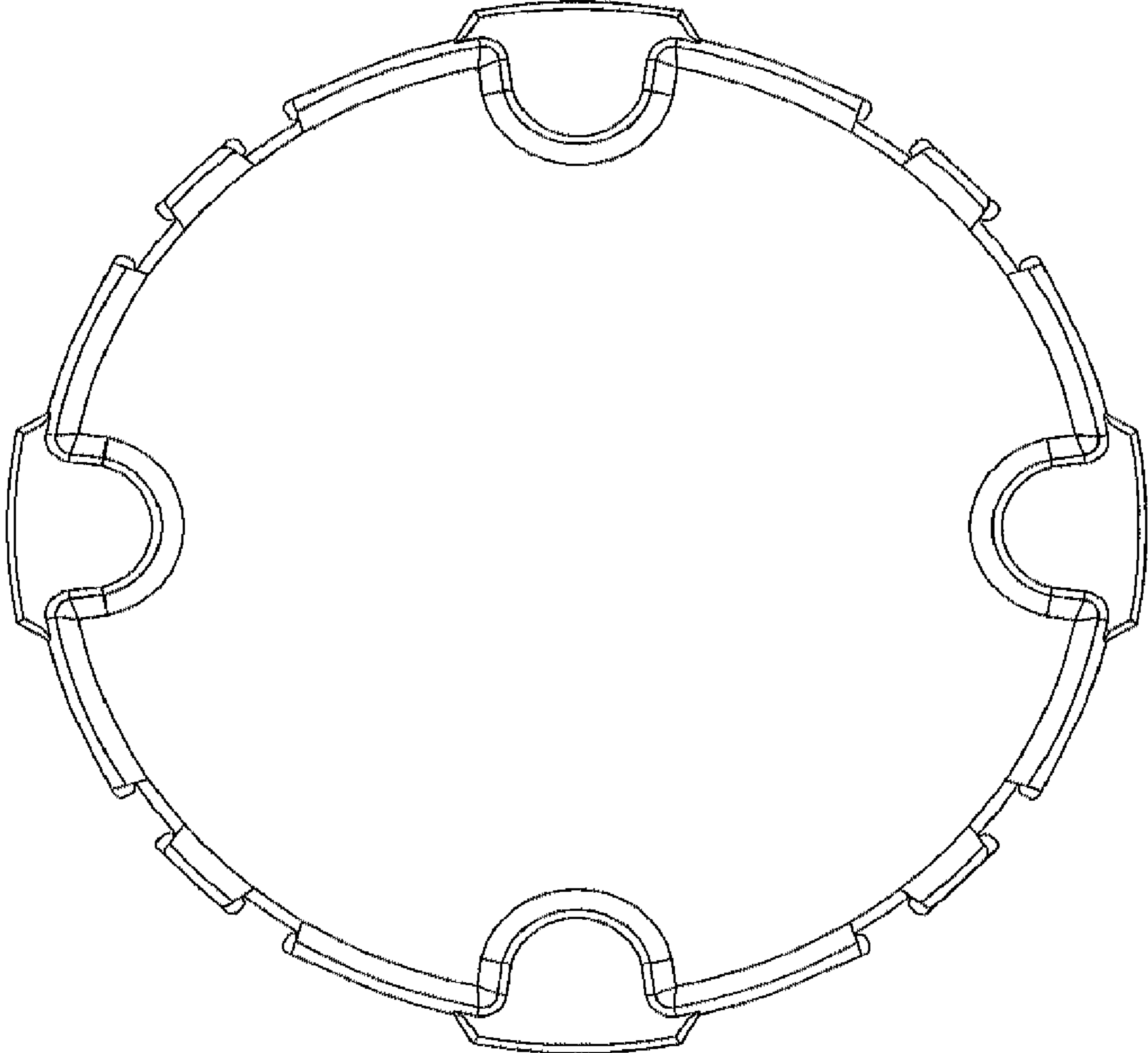


FIG. 6

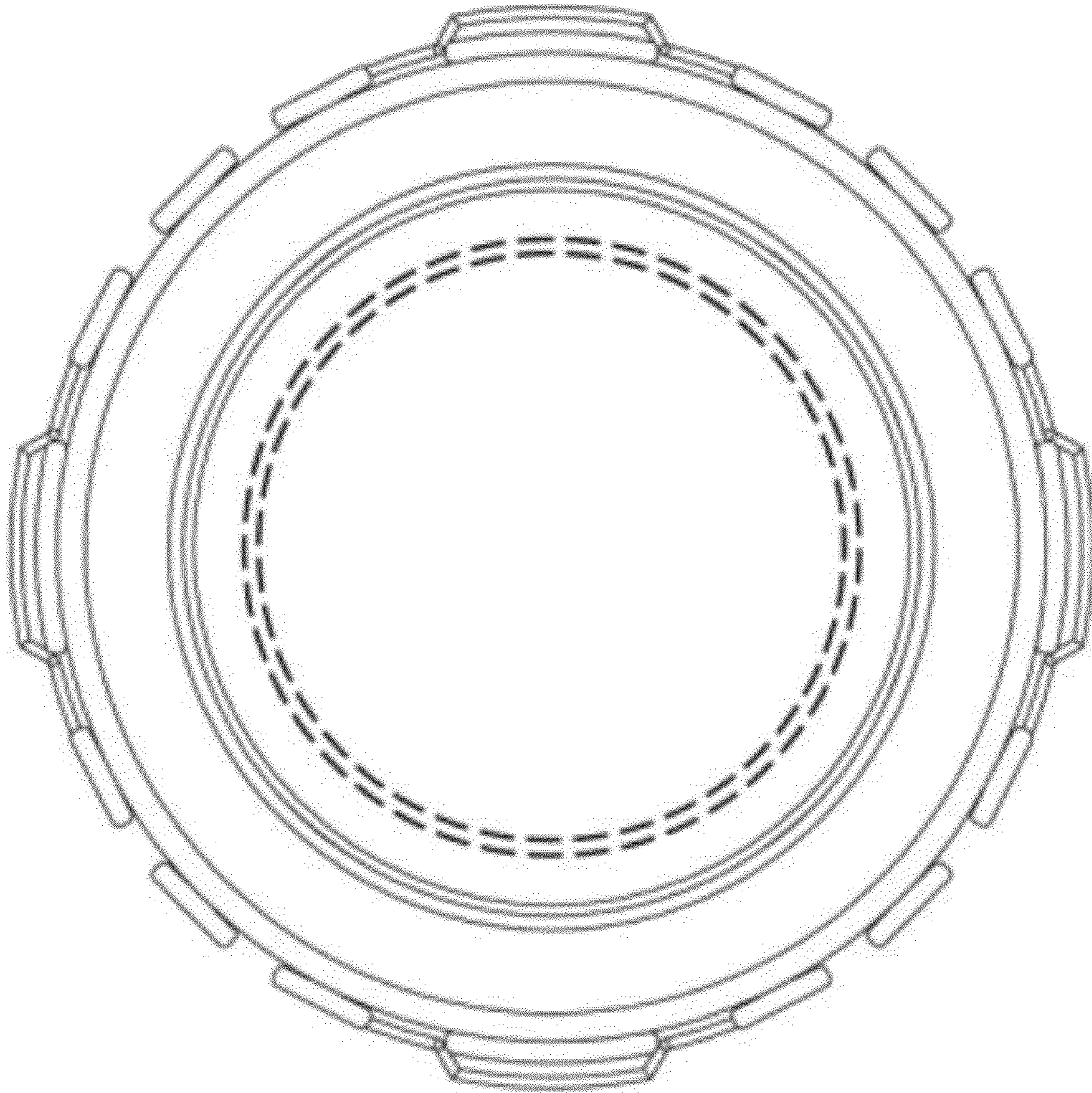


FIG. 7

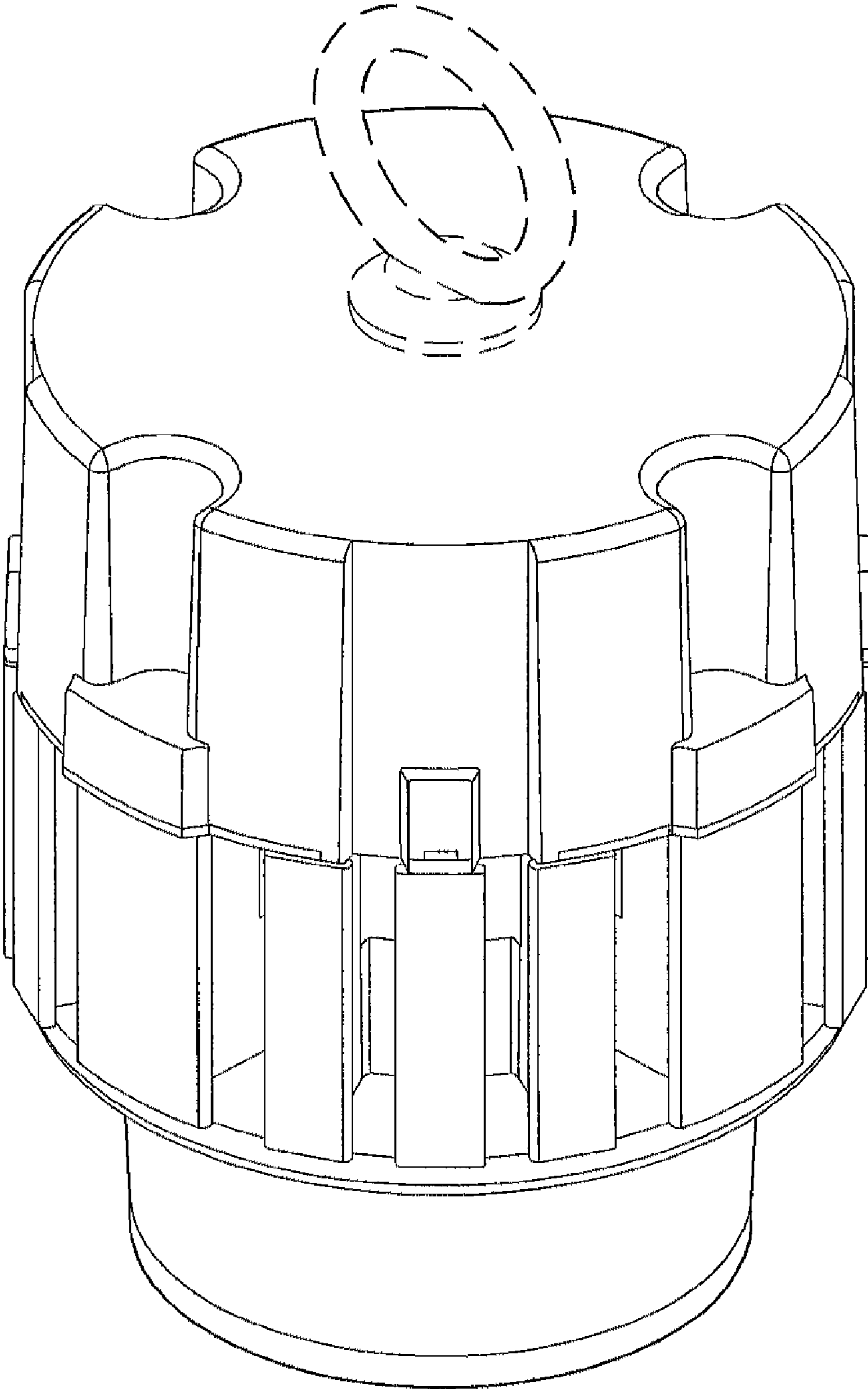


FIG. 8

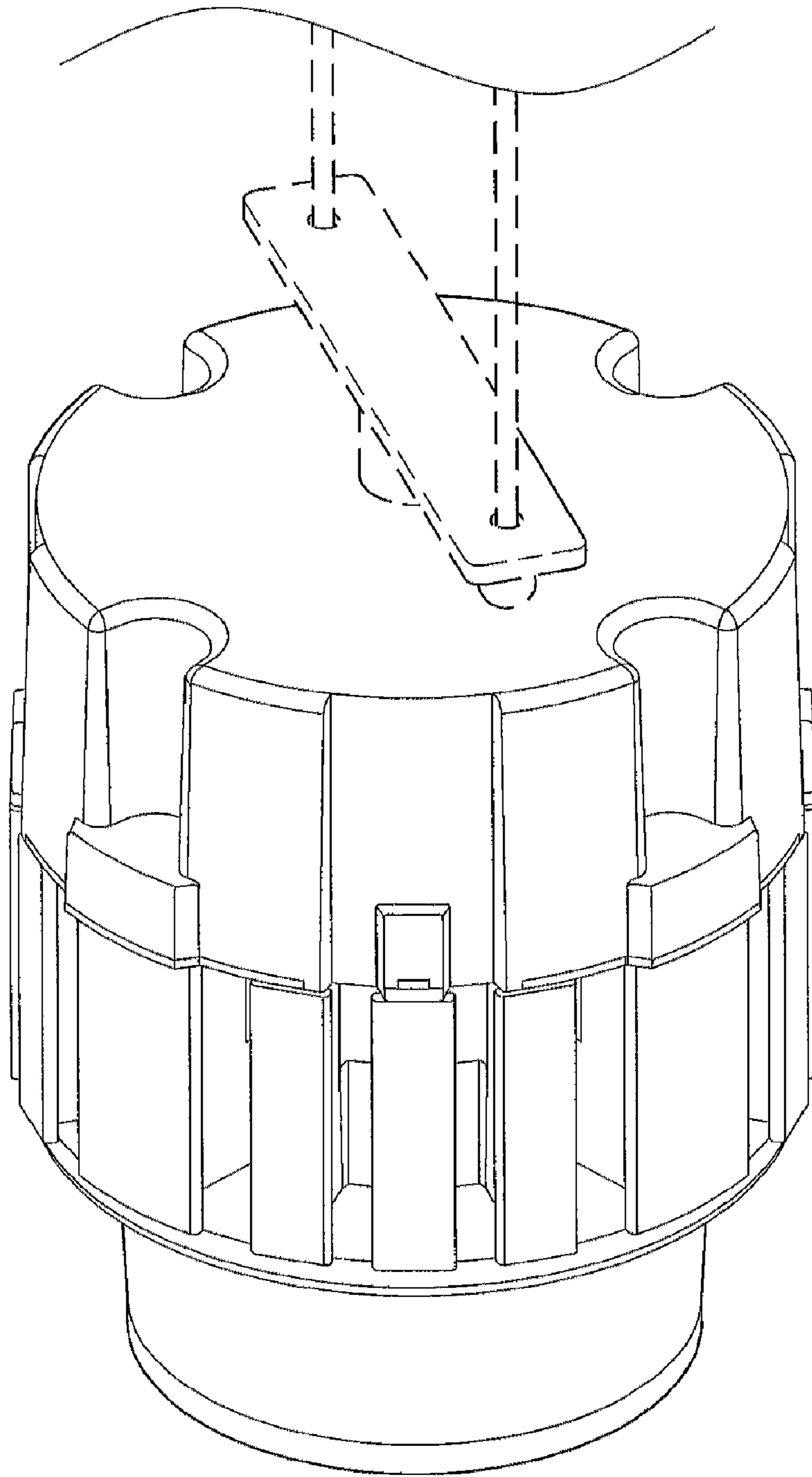


FIG. 9

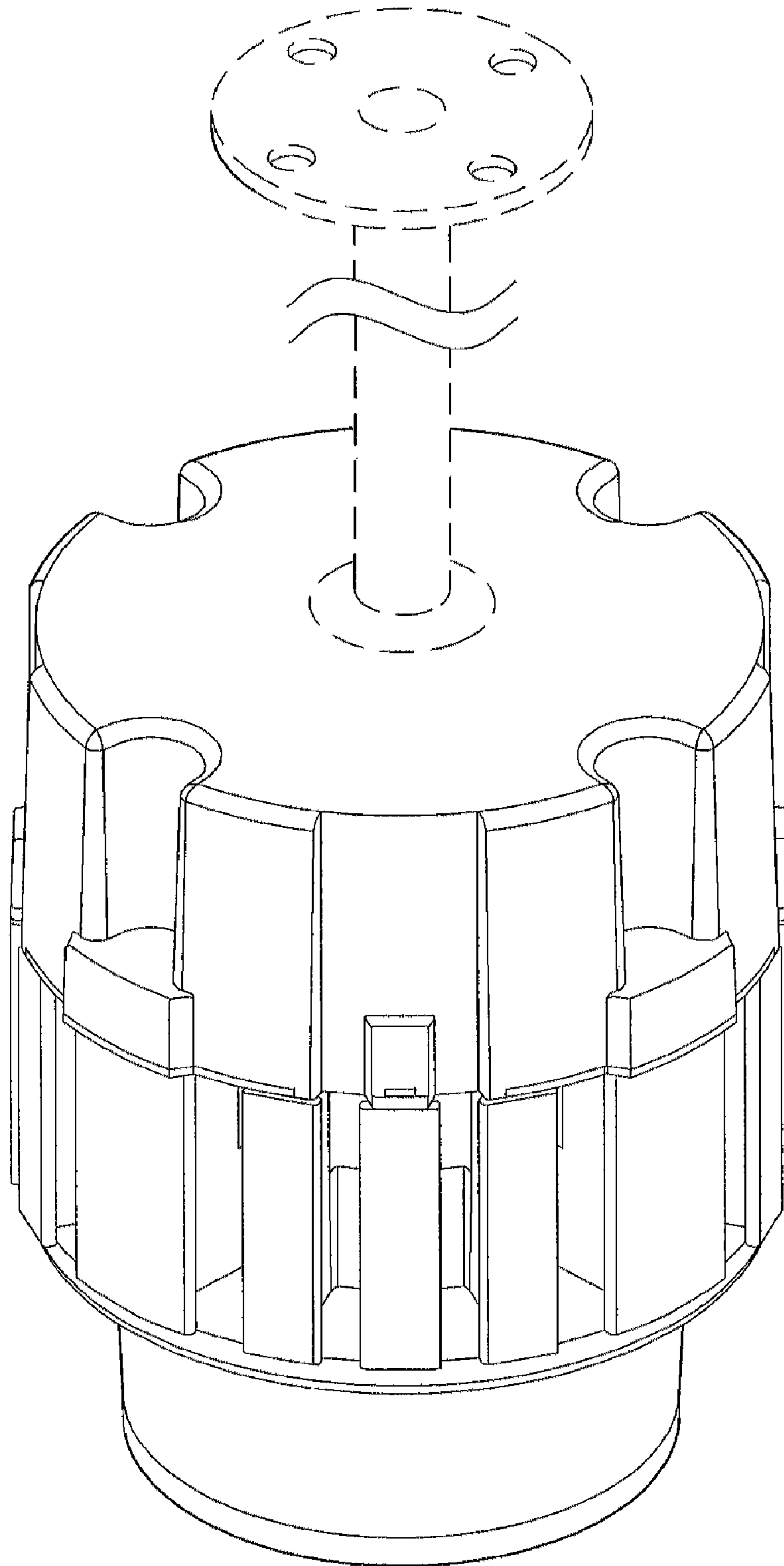


FIG. 10