



US00D660508S

(12) **United States Design Patent**
Kong et al.

(10) **Patent No.:** **US D660,508 S**

(45) **Date of Patent:** **** May 22, 2012**

(54) **FRAME FOR A CEILING LIGHT**

(56) **References Cited**

(75) Inventors: **Kyung-II Kong**, Seoul (KR); **Han Gyoul Kim**, Seoul (KR); **Hwayoung Kim**, Seoul (KR); **Ji Yeon Hyun**, Seoul (KR)

(73) Assignee: **LG Innotek Co., Ltd.**, Seoul (KR)

(**) Term: **14 Years**

(21) Appl. No.: **29/375,580**

(22) Filed: **Sep. 24, 2010**

(30) **Foreign Application Priority Data**

Mar. 25, 2010	(KR)	30-2010-0012976
Mar. 25, 2010	(KR)	30-2010-0012978
Mar. 25, 2010	(KR)	30-2010-0012979
Mar. 25, 2010	(KR)	30-2010-0012981
Mar. 25, 2010	(KR)	30-2010-0012982
Mar. 25, 2010	(KR)	30-2010-0012984

U.S. PATENT DOCUMENTS

3,209,142	A *	9/1965	Michel et al.	362/236
3,270,194	A *	8/1966	Lee	362/218
D284,110	S *	6/1986	Mullins	D26/76
5,172,976	A *	12/1992	Bogdanovs	362/374
D386,804	S *	11/1997	Engel	D26/74
D397,819	S *	9/1998	Thorton, Jr.	D26/77
D407,473	S *	3/1999	Wimbock	D23/328
5,988,836	A *	11/1999	Swarens	362/364
6,523,974	B2 *	2/2003	Engel	362/224
D477,891	S *	7/2003	Fritze et al.	D26/74
D483,510	S *	12/2003	Fritze et al.	D26/75
D556,358	S *	11/2007	Santoro	D26/74
D593,246	S *	5/2009	Fowler et al.	D26/76
D605,341	S *	12/2009	Chung et al.	D26/118
D608,490	S *	1/2010	Chung et al.	D26/118
D608,932	S *	1/2010	Castelli	D26/76
D609,385	S *	2/2010	Castelli	D26/76
D611,183	S *	3/2010	Duarte	D26/76
D633,247	S *	2/2011	Kong et al.	D26/88
7,901,105	B2 *	3/2011	Fowler et al.	362/217.15
D636,112	S *	4/2011	Chung et al.	D26/122
7,950,833	B1 *	5/2011	Crane et al.	362/404
2002/0003698	A1 *	1/2002	Engel	362/224
2007/0211457	A1 *	9/2007	Mayfield et al.	362/223
2009/0196024	A1 *	8/2009	Heiking et al.	362/150

* cited by examiner

(51) **LOC (9) Cl.** **26-99**

(52) **U.S. Cl.** **D26/141**

(58) **Field of Classification Search** D26/71,

D26/72, 74, 76, 75, 78, 113, 118, 119, 120, D26/121, 122, 123, 124, 125, 126, 127, 128, D26/130, 131, 2, 116, 88, 84, 82, 83, 85, D26/86, 87, 89, 90, 91, 92, 141, 142, 144, D26/145, 152, 153, 155, 138, 139, 140, 58, D26/24, 22, 23, 25, 26, 27, 28, 29, 30, 62, D26/63, 64, 65, 66, 67, 68, 69, 70, 60, 61, D26/51, 52, 53, 54, 55, 56, 57; 362/373, 362/345, 362, 326, 363, 364, 365, 372, 253, 362/294, 374, 375, 371, 490, 491, 308, 309, 362/310, 311.06, 249.02, 235, 236, 473, 362/418, 419, 420, 321, 322, 323, 324, 325, 362/276; 250/342; D23/418, 366; 239/44, 239/43, 4, 45; D13/134, 179, 180

See application file for complete search history.

Primary Examiner — Kevin Rudzinski

(74) *Attorney, Agent, or Firm* — KED & Associates LLP

(57) **CLAIM**

The ornamental design for a frame for a ceiling light, as shown and described.

DESCRIPTION

FIG. 1 is a front perspective view of a frame for a ceiling light according to an embodiment;
FIG. 2 is a front view of the frame for a ceiling light of FIG. 1;
FIG. 3 is a rear view of the frame for a ceiling light of FIG. 1;
FIG. 4 is a left side view of the frame for a ceiling light of FIG. 1;
FIG. 5 is a right side view of the frame for a ceiling light of FIG. 1;

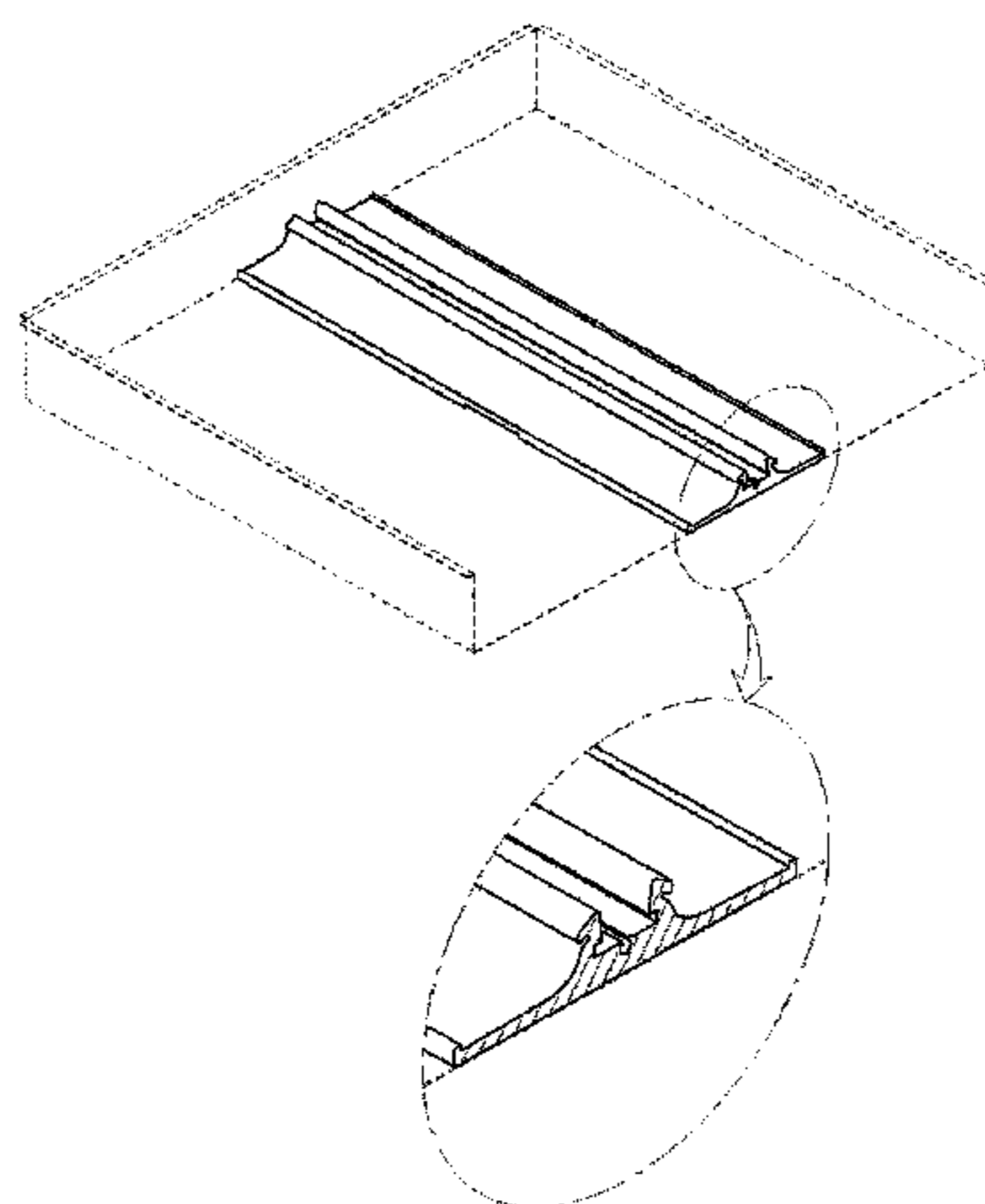


FIG. 6 is a top view of the frame for a ceiling light of FIG. 1;
FIG. 7 is a bottom view of the frame for a ceiling light of FIG. 1;
FIG. 8 is a front perspective view of the frame for a ceiling light of FIG. 1 shown in use coupled with a light;
FIG. 9 is a cross-sectional perspective view of the frame for a ceiling light taken along line IX-IX of FIG. 1 and showing an enlarged portion of the design;
FIG. 10 is a front perspective view of a frame for a ceiling light according to another embodiment;
FIG. 11 is a front view of the frame for a ceiling light of FIG. 10;
FIG. 12 is a rear view of the frame for a ceiling light of FIG. 10;
FIG. 13 is a left side view of the frame for a ceiling light of FIG. 10;
FIG. 14 is a right side view of the frame for a ceiling light of FIG. 10;
FIG. 15 is a top view of the frame for a ceiling light of FIG. 10;
FIG. 16 is a bottom view of the frame for a ceiling light of FIG. 10;
FIG. 17 is a cross-sectional perspective view of the frame for a ceiling light taken along line XVII-XVII of FIG. 10 and showing an enlarged portion of the design;

FIG. 18 is a front perspective view of the frame for a ceiling light of FIG. 10 shown in use coupled with a light;
FIG. 19 is a front perspective view of a frame for a ceiling light according to another embodiment;
FIG. 20 is a front view of the frame for a ceiling light of FIG. 19;
FIG. 21 is a rear view of the frame for a ceiling light of FIG. 19;
FIG. 22 is a left side view of the frame for a ceiling light of FIG. 19;
FIG. 23 is a right side view of the frame for a ceiling light of FIG. 19;
FIG. 24 is a top view of the frame for a ceiling light of FIG. 19;
FIG. 25 is a bottom view of the frame for a ceiling light of FIG. 19;
FIG. 26 is a cross-sectional perspective view of the frame for a ceiling light taken along line XXVI-XXVI of FIG. 19 and showing an enlarged portion of the design; and,
FIG. 27 is a front perspective view of the frame for a ceiling light of FIG. 19 shown in use coupled with a light.
The broken lines shown in the drawings illustrate portions of the frame for a ceiling light that form no part of the claimed design.

1 Claim, 15 Drawing Sheets

Figure 1

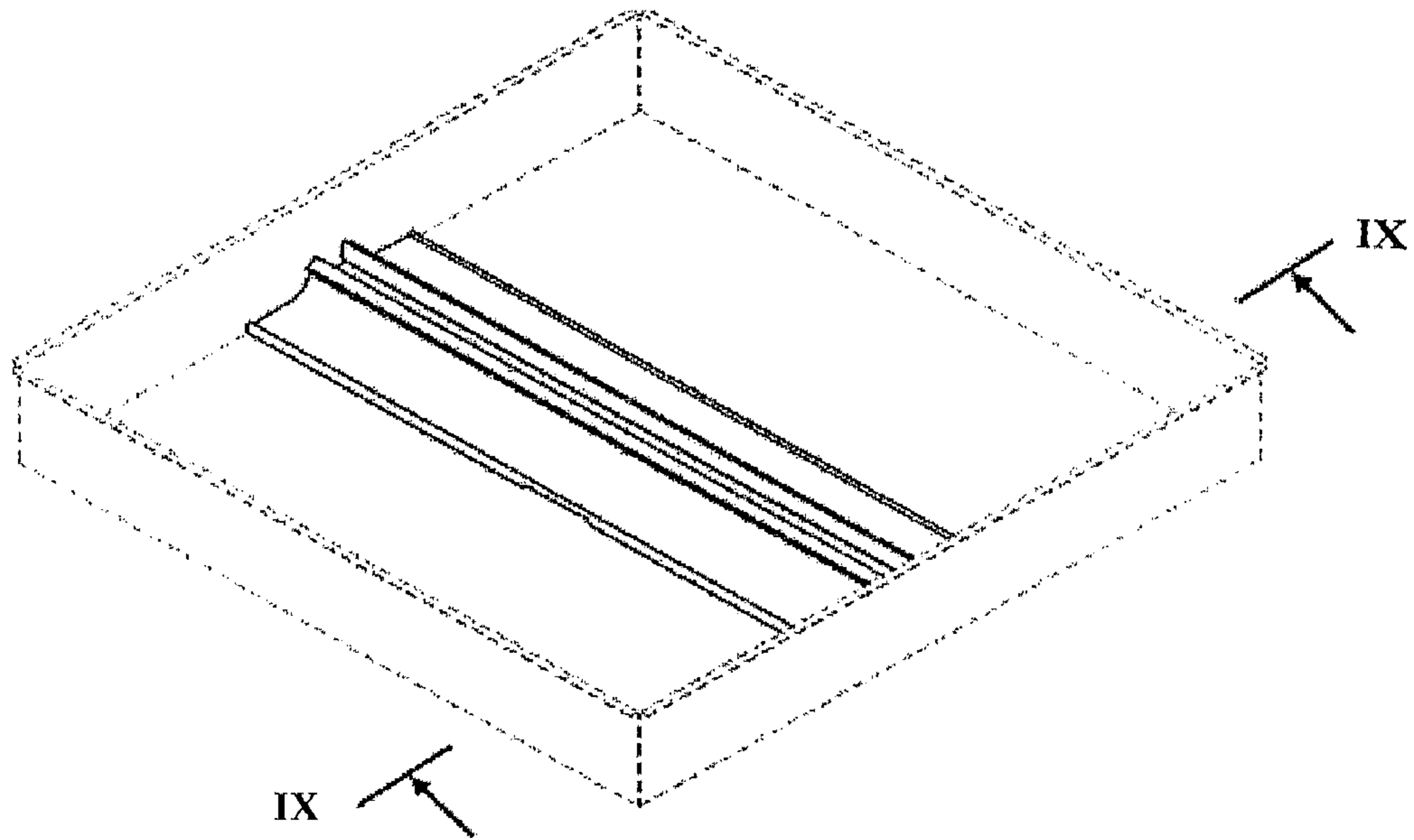


Figure 2

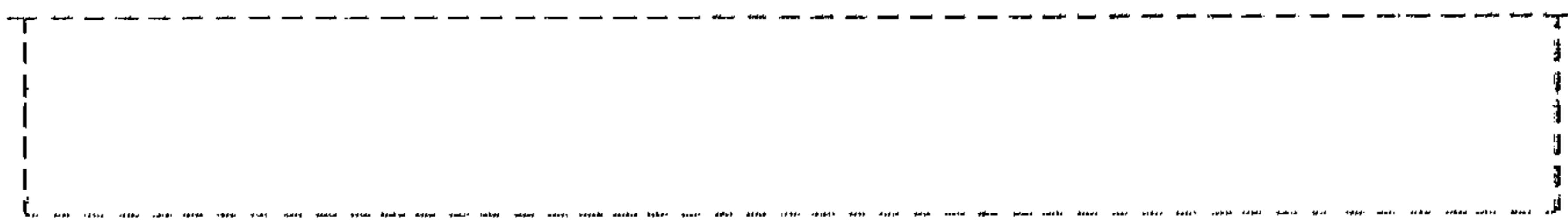


Figure 3



Figure 4



Figure 5

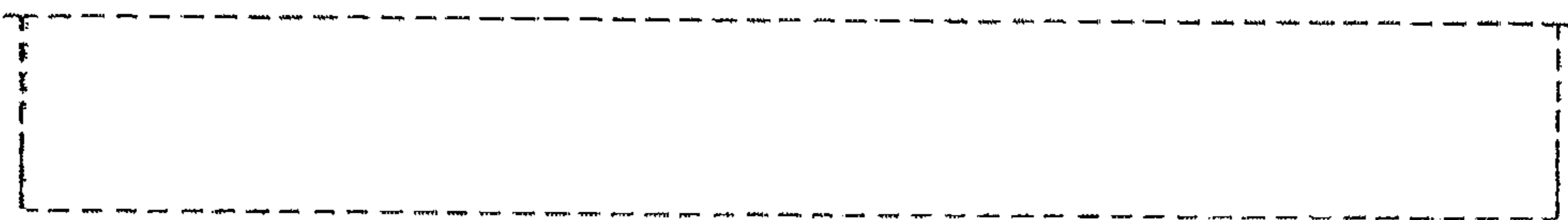


Figure 6

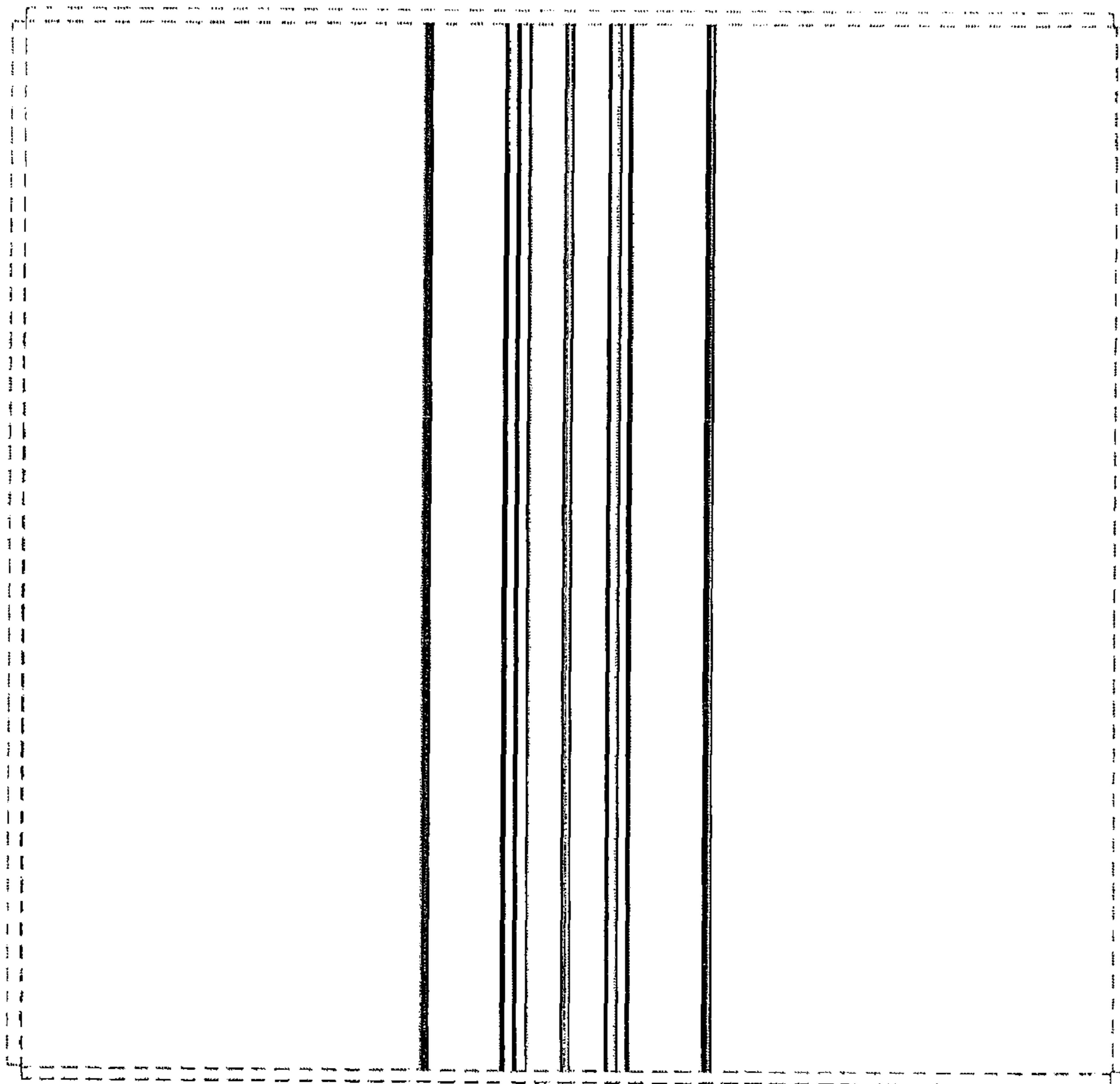


Figure 7

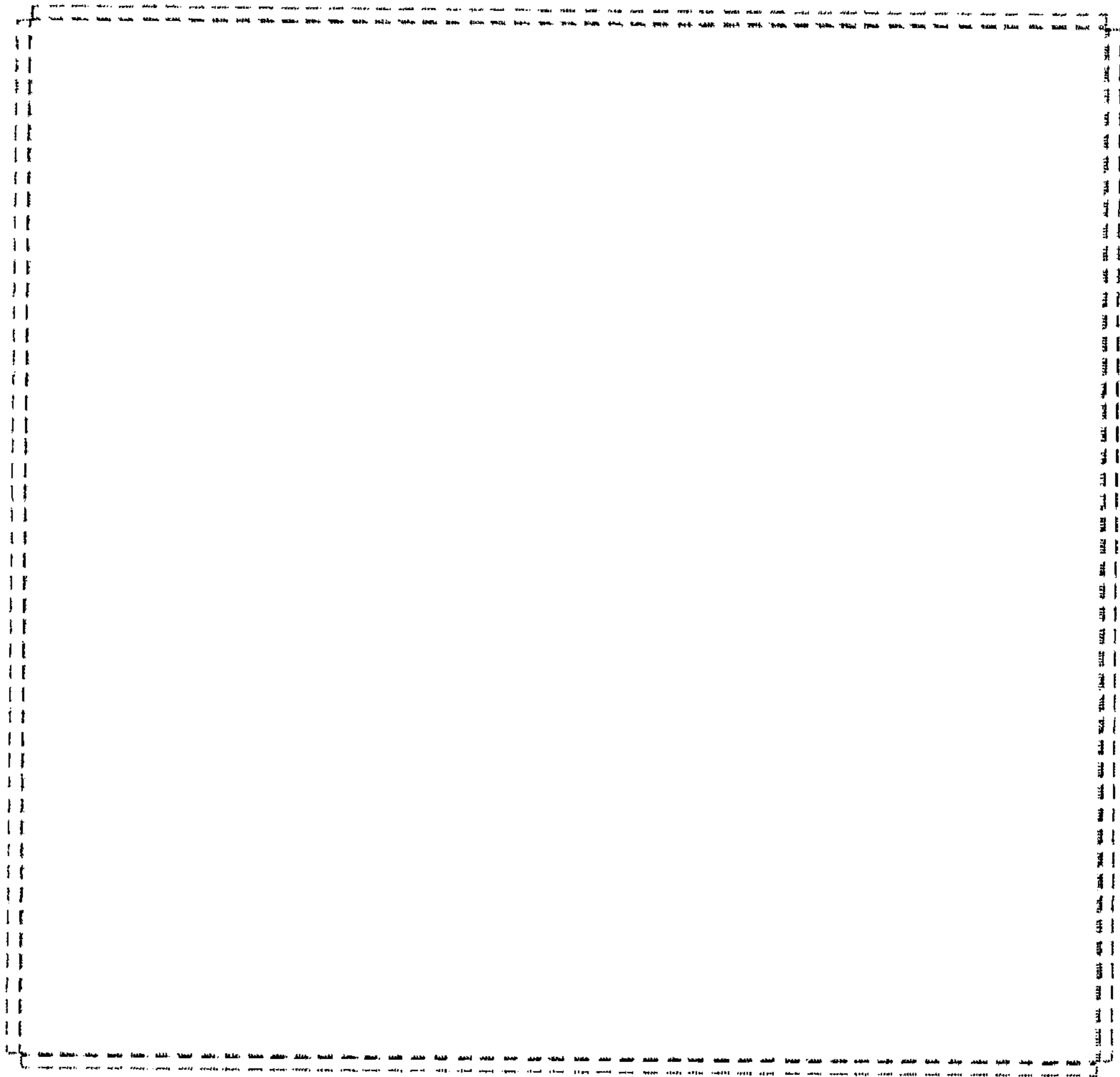


Figure 8

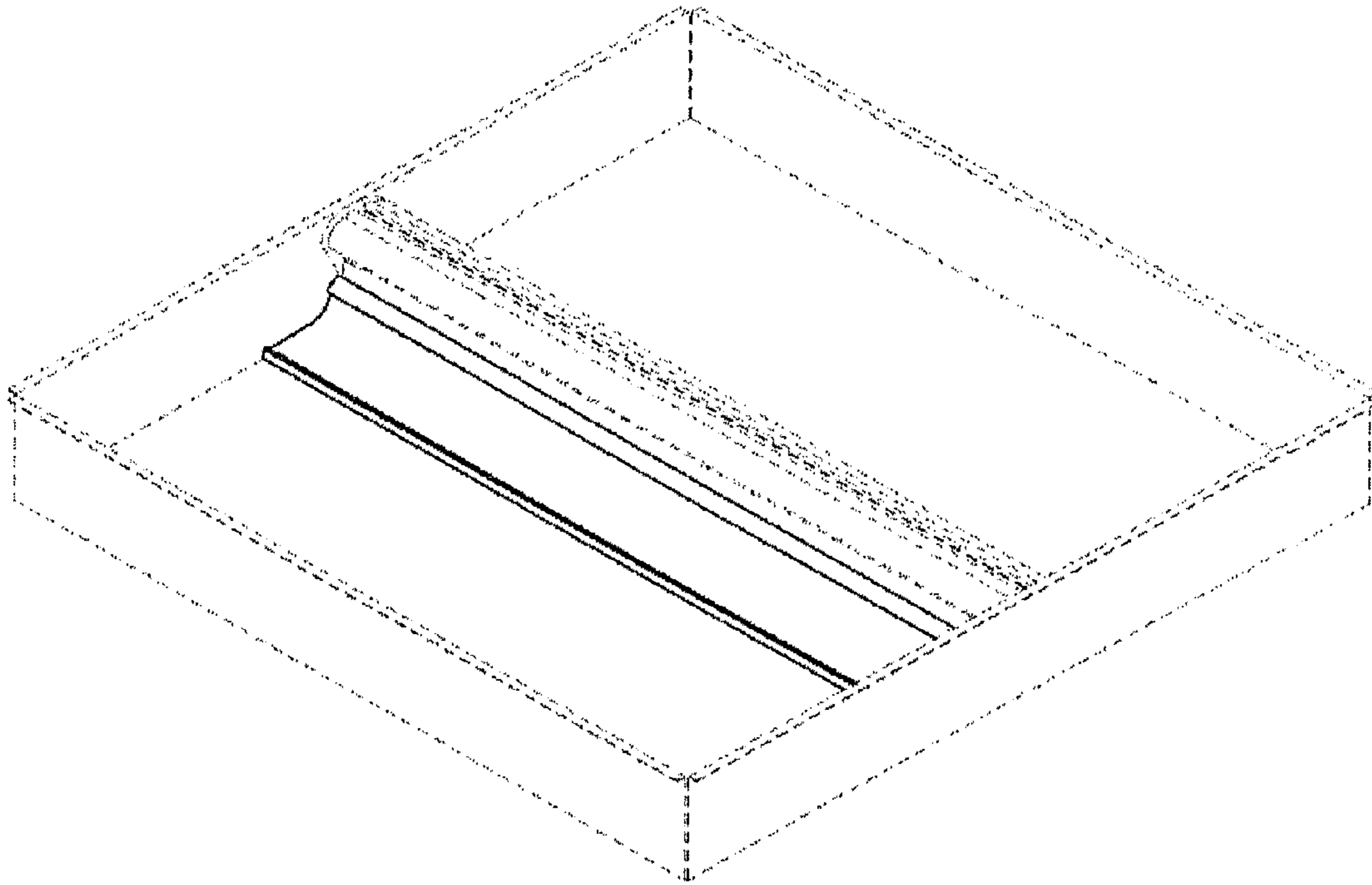


Figure 9

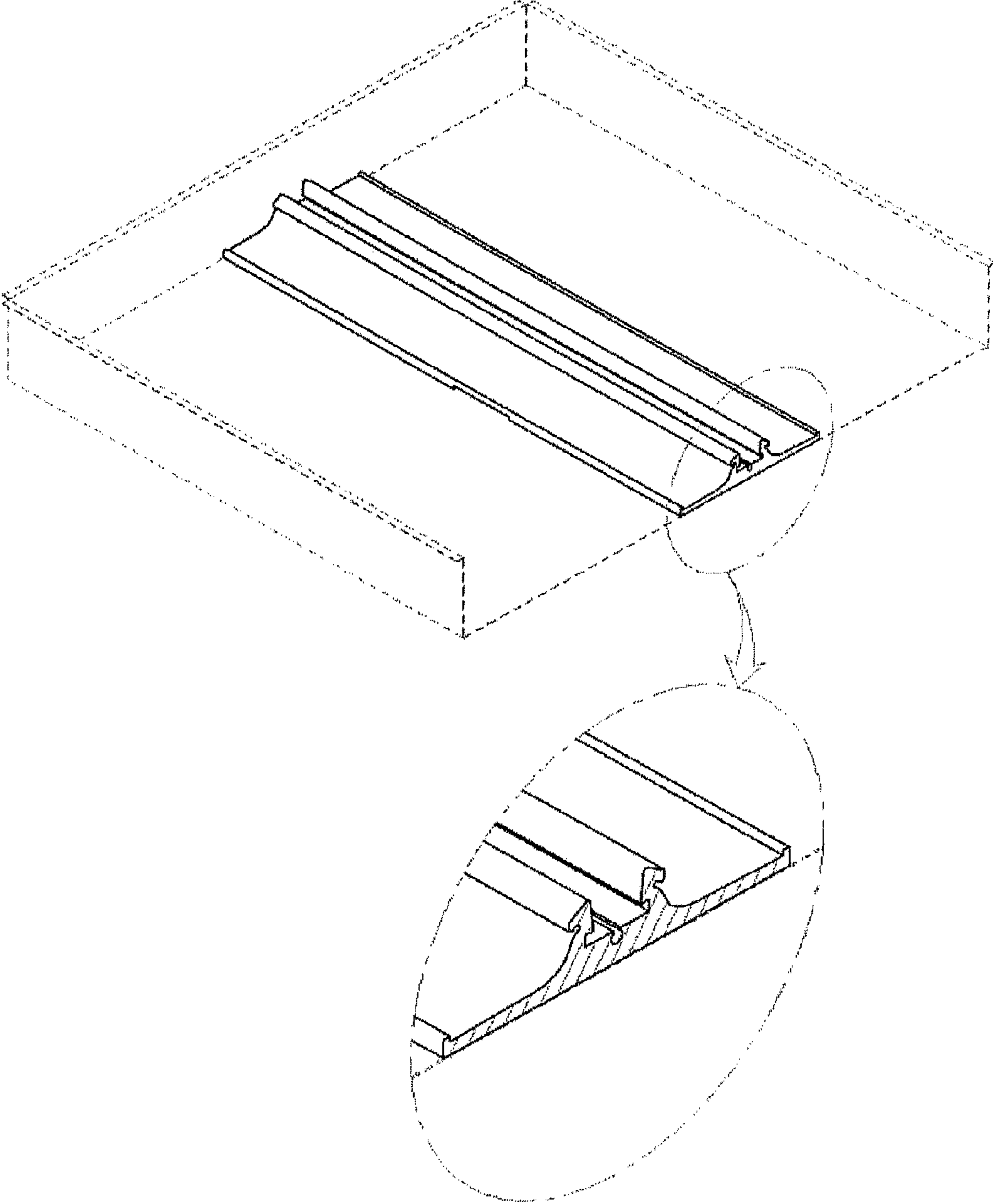


Figure 10

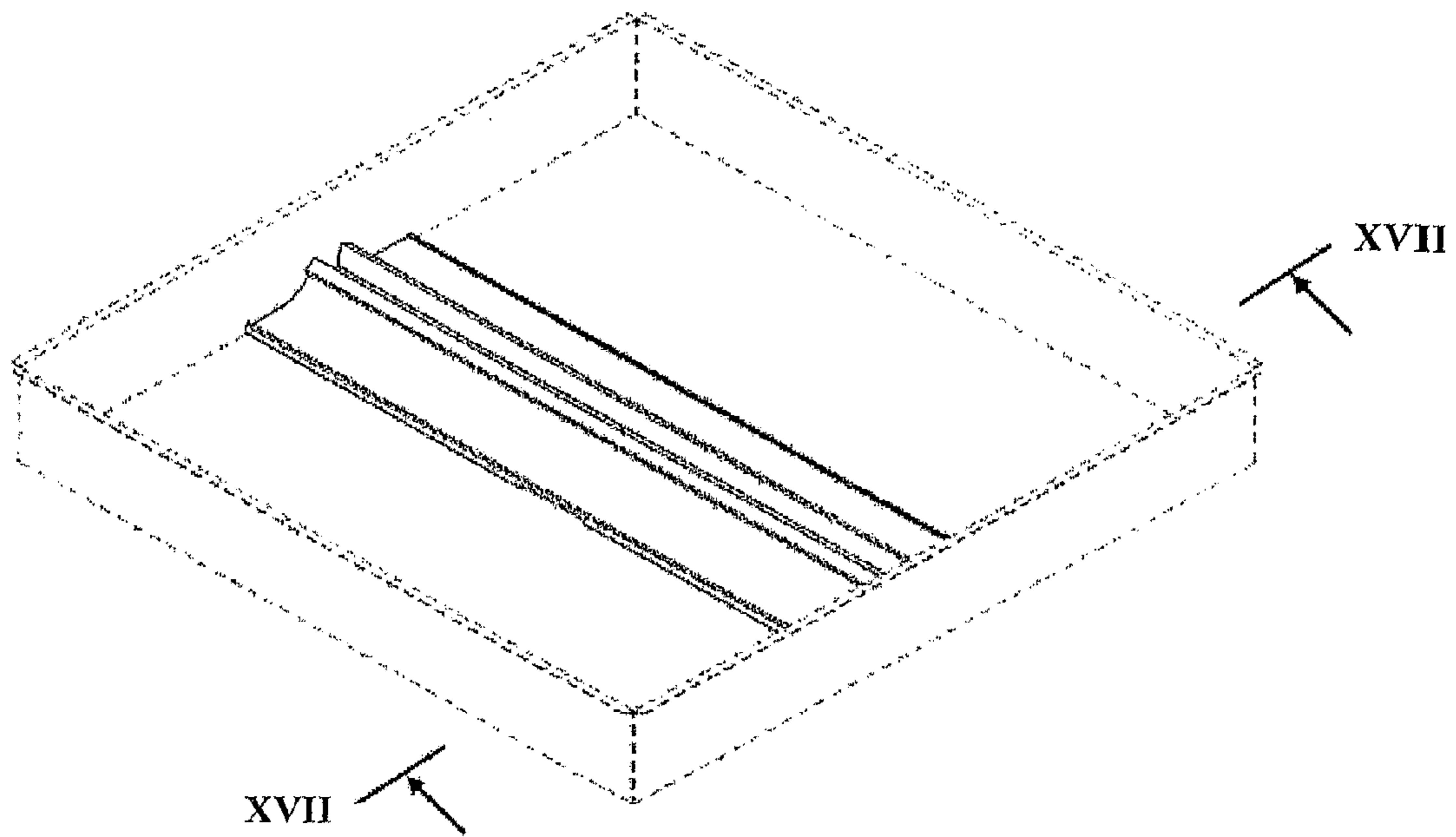


Figure 11



Figure 12

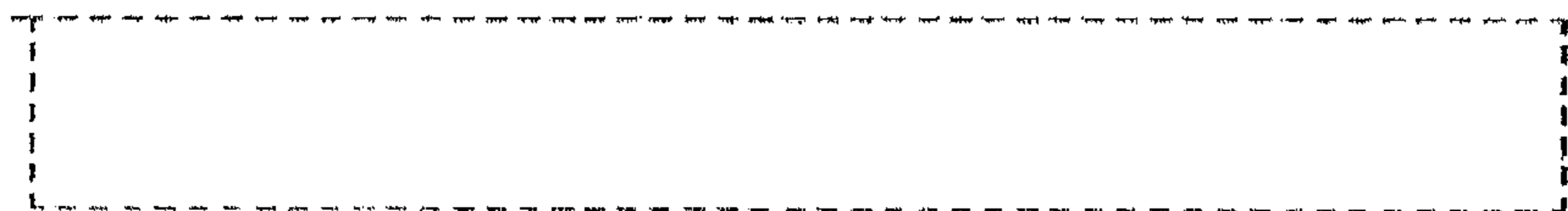


Figure 13



Figure 14

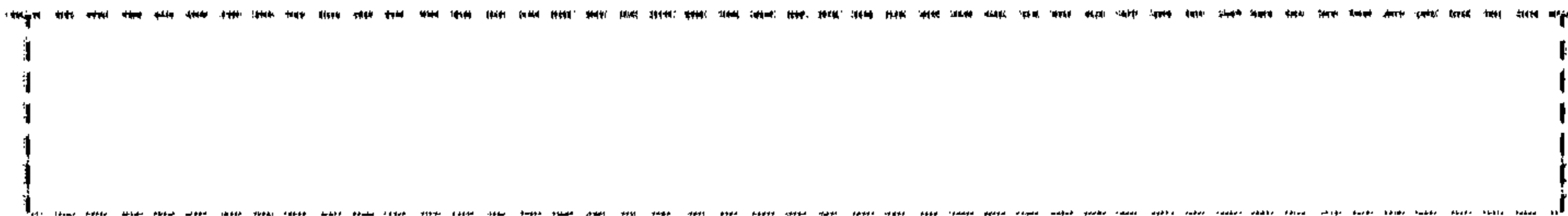


Figure 15

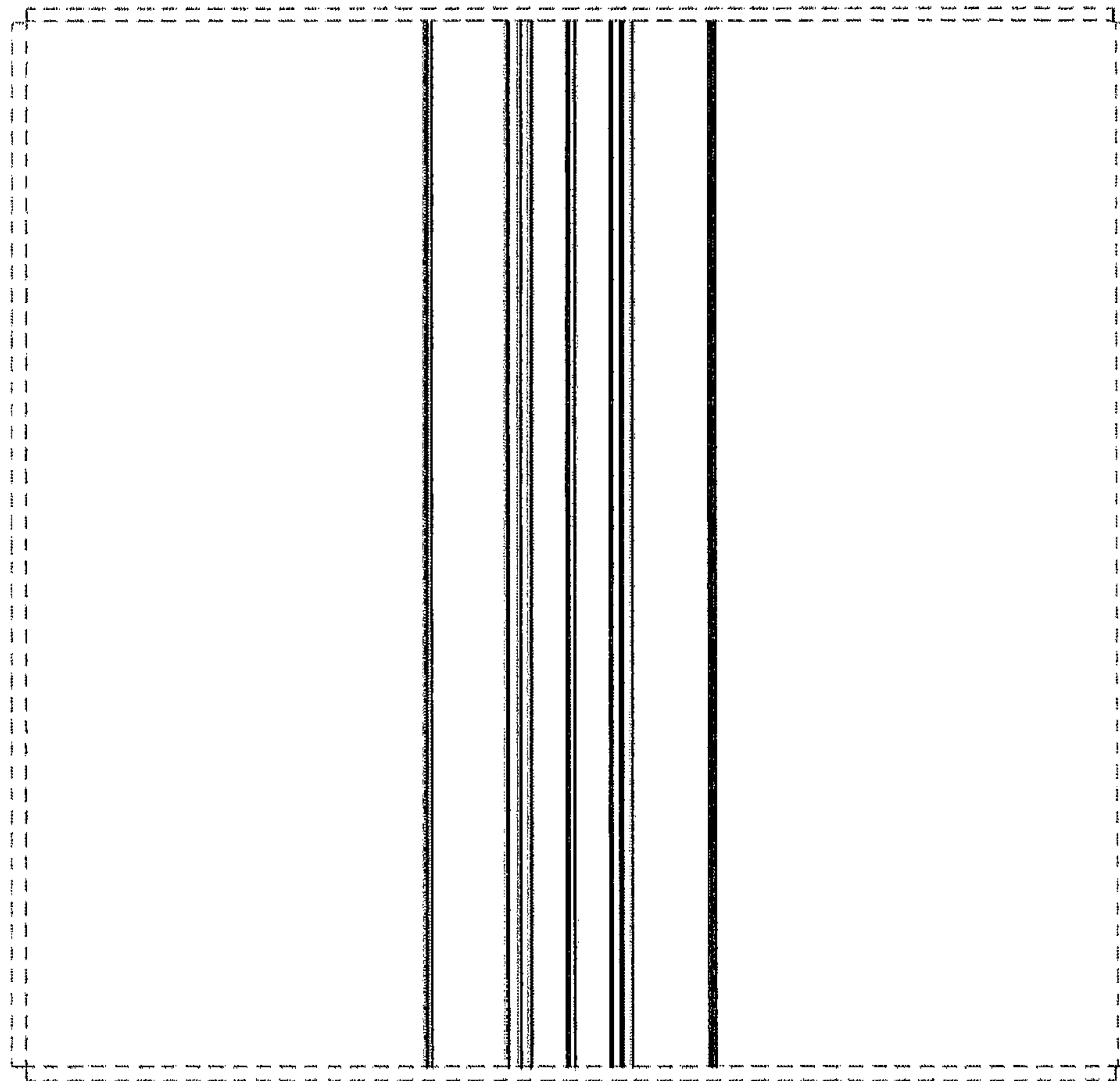


Figure 16

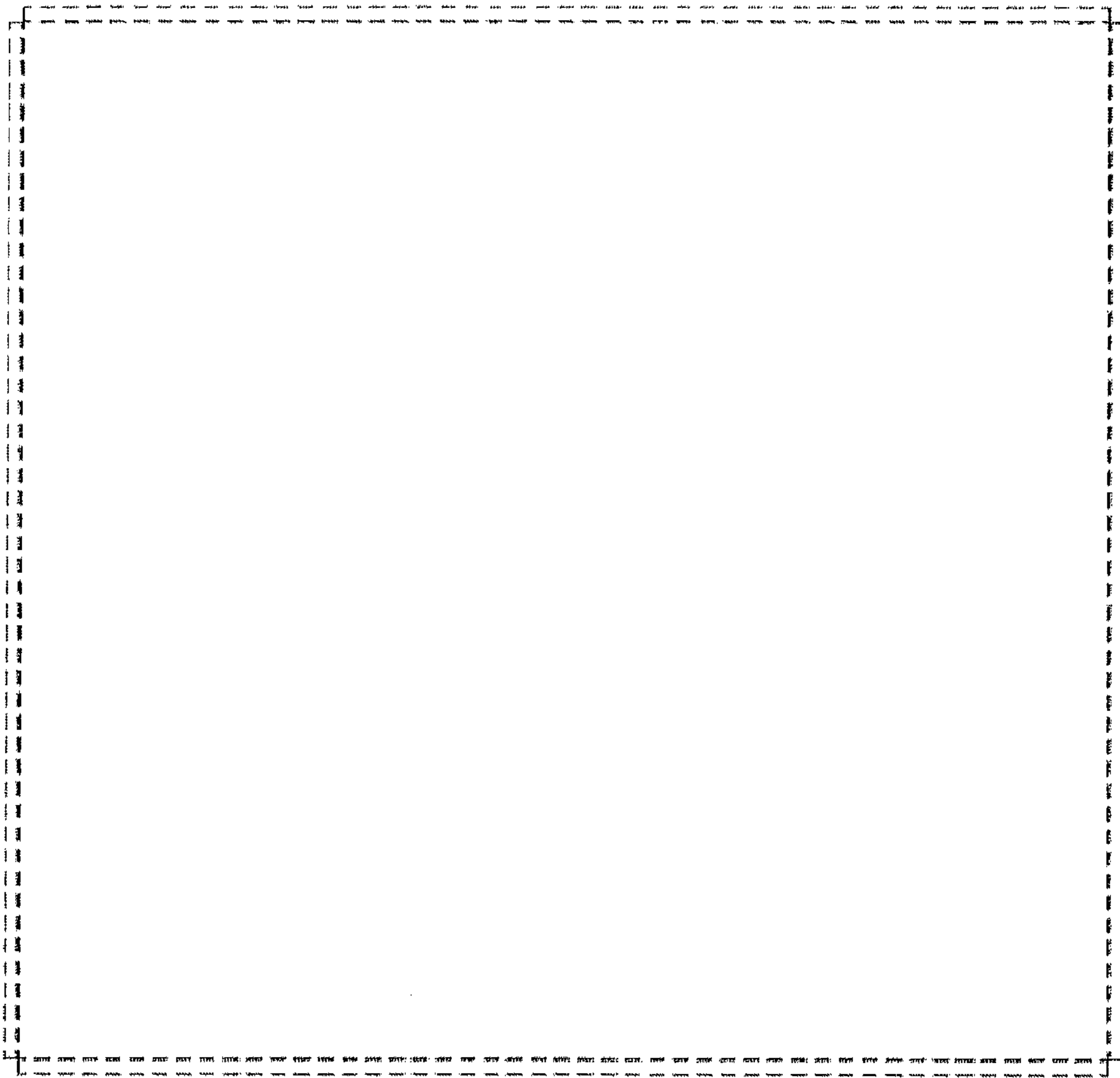


Figure 17

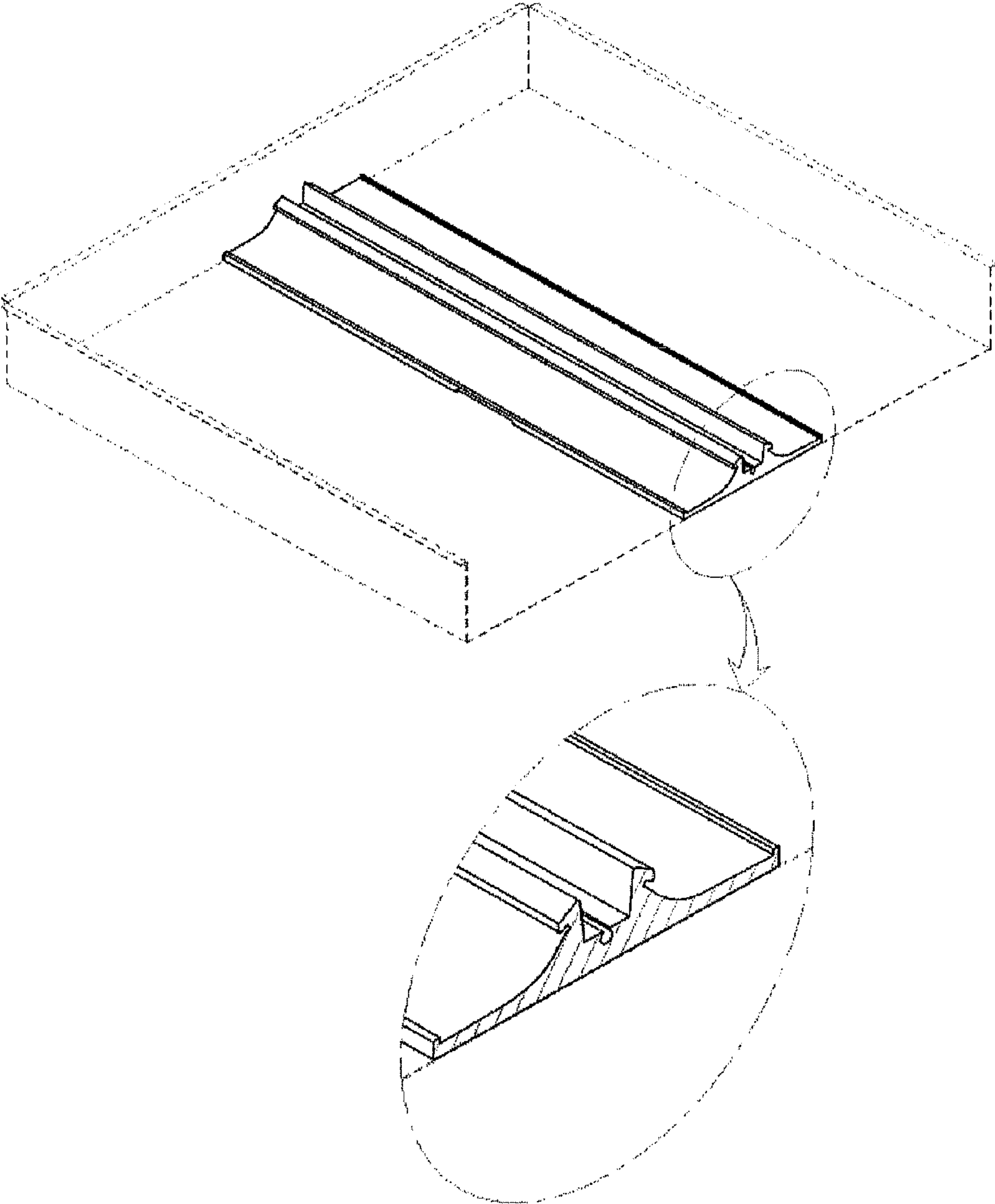


Figure 18

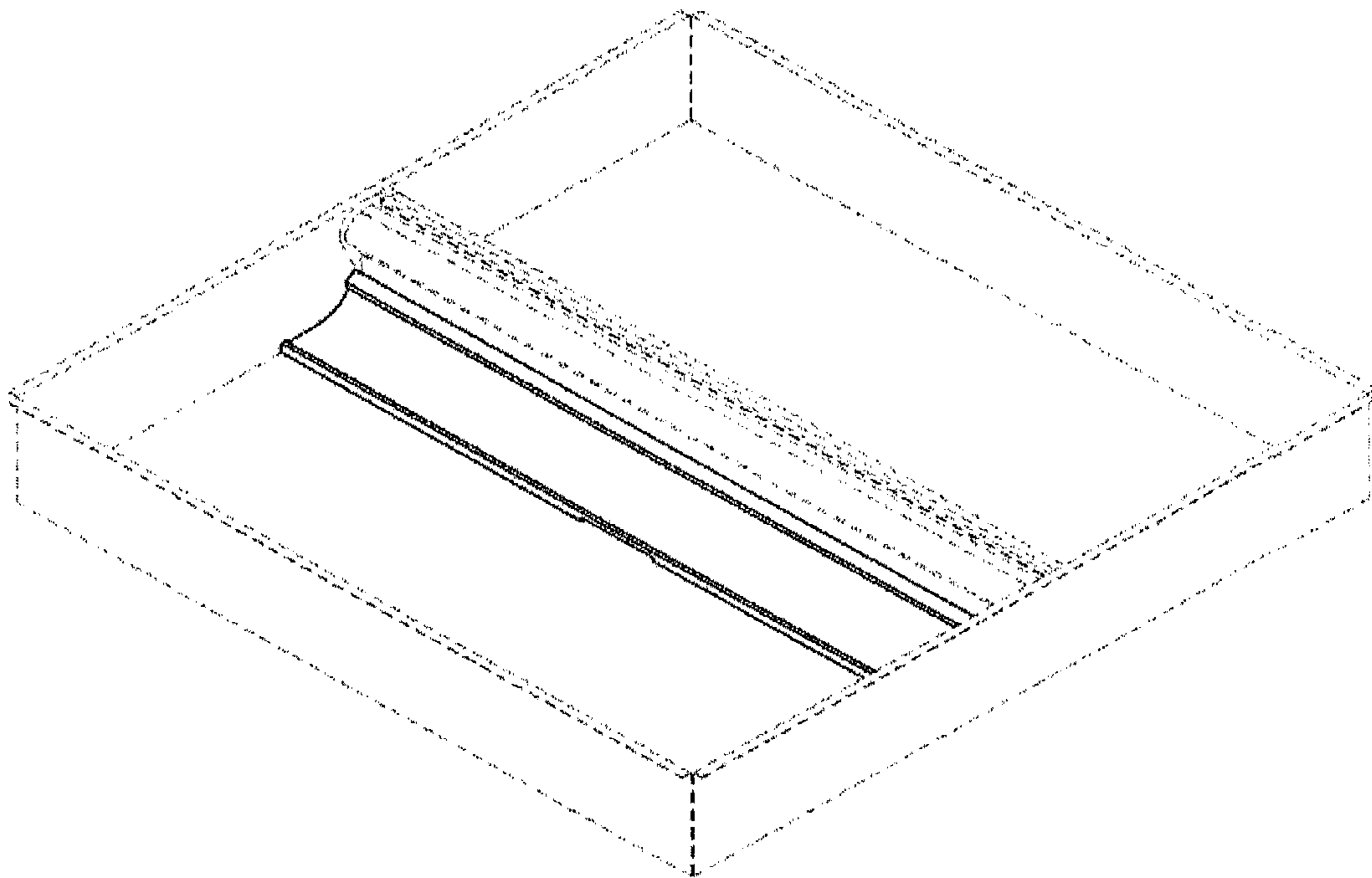


Figure 19

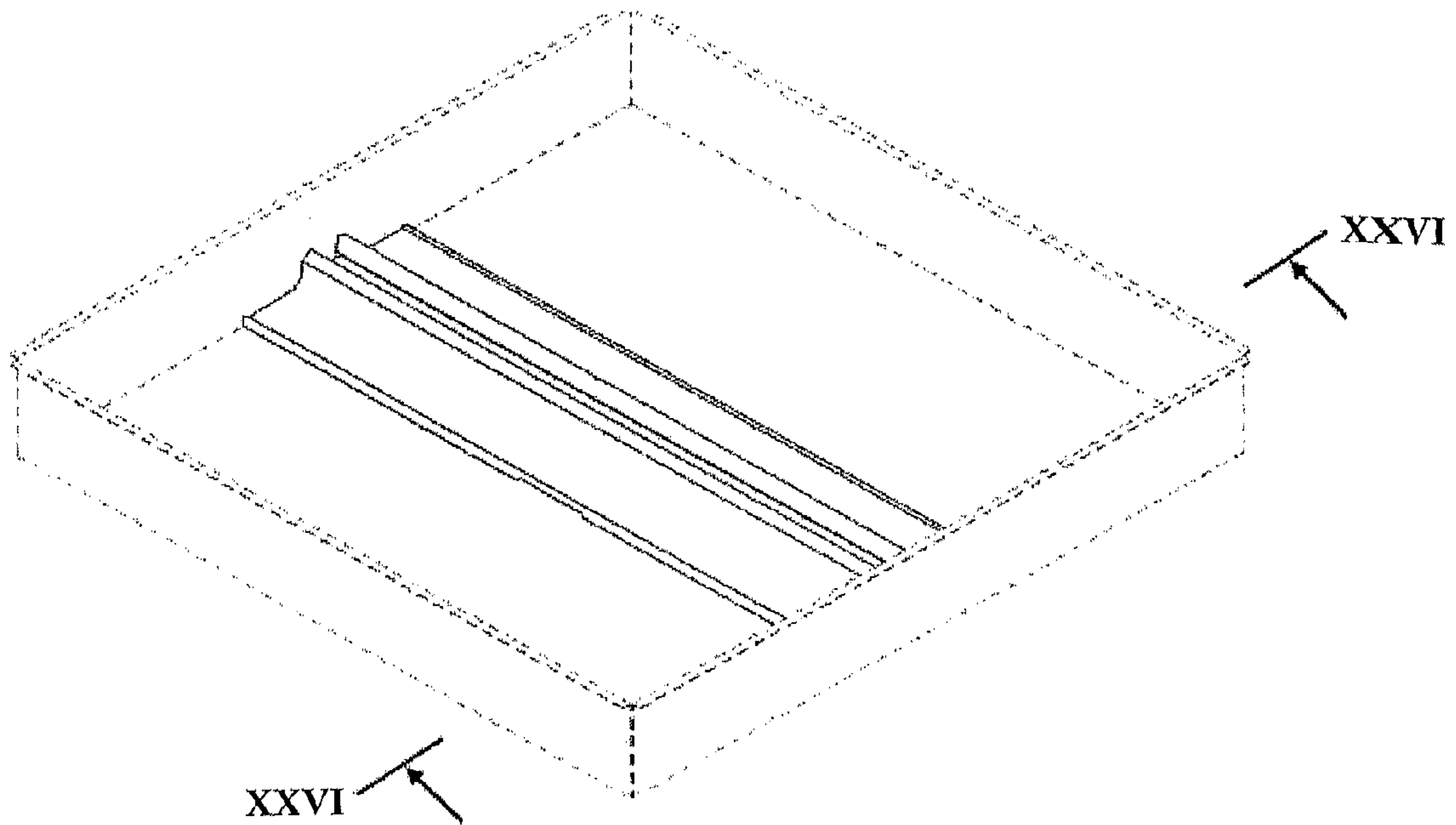


Figure 20



Figure 21

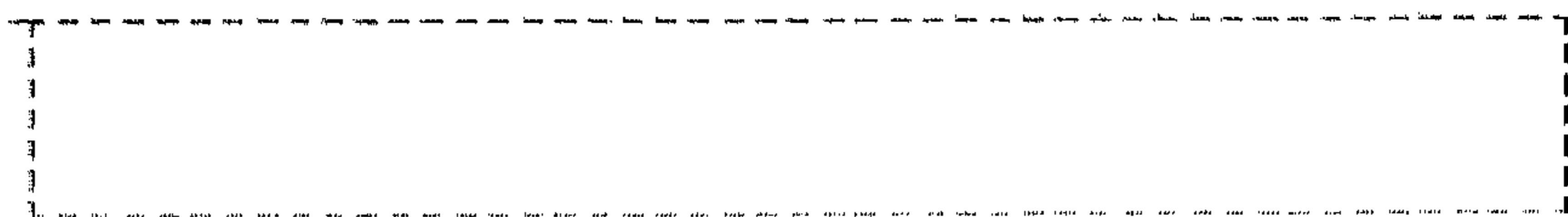


Figure 22

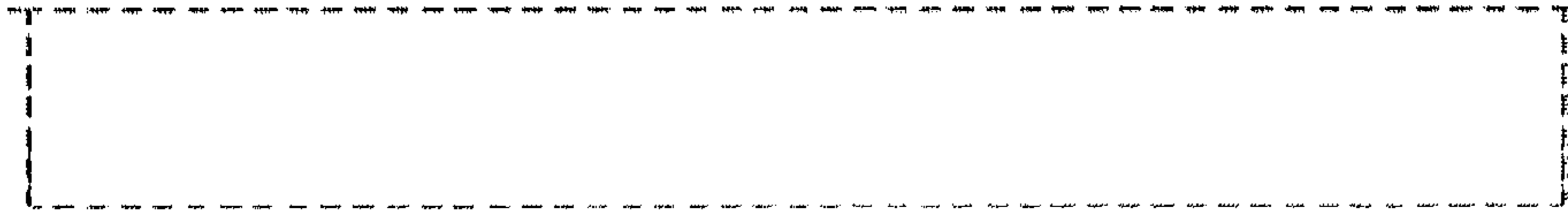


Figure 23



Figure 24

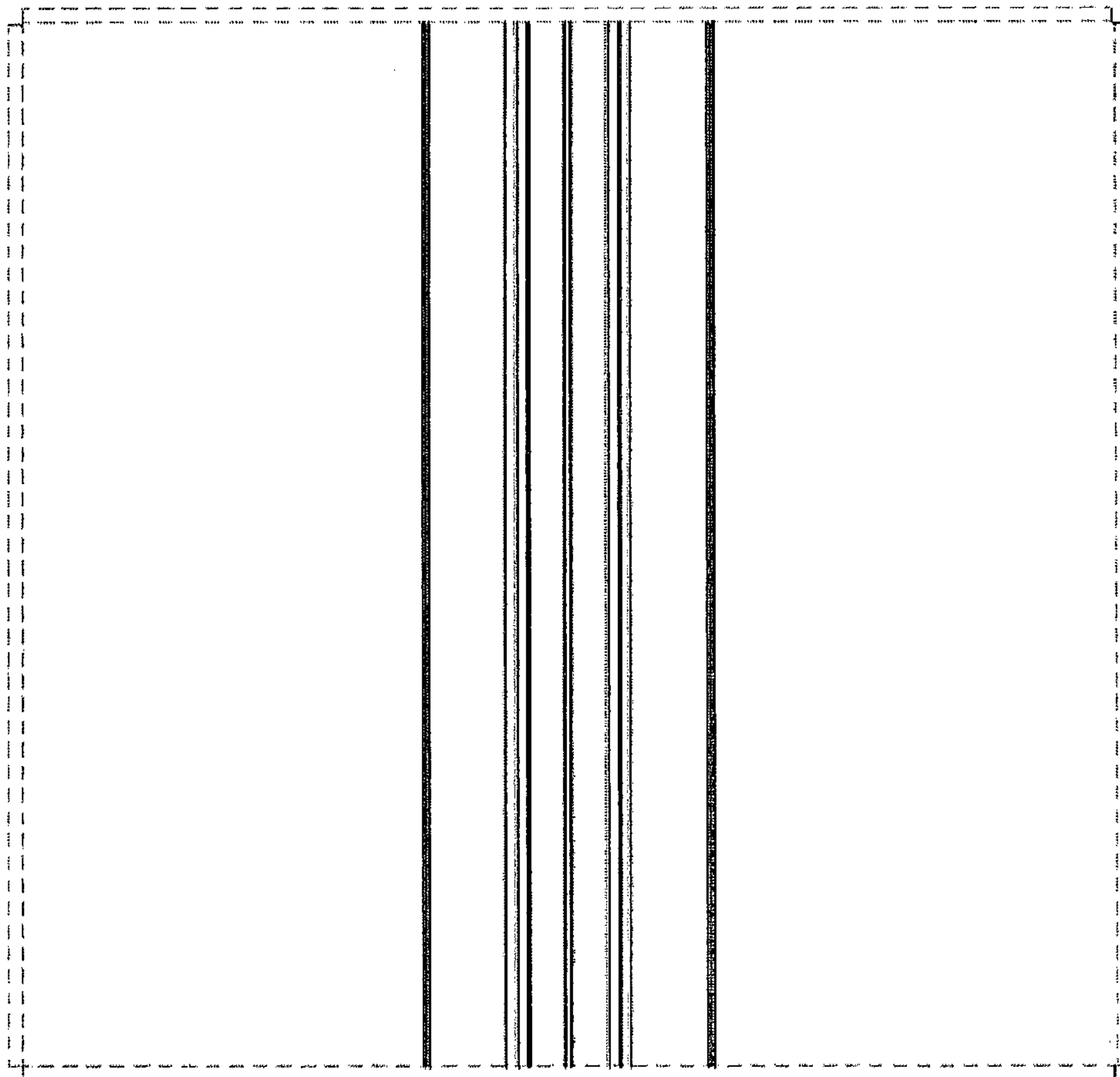


Figure 25

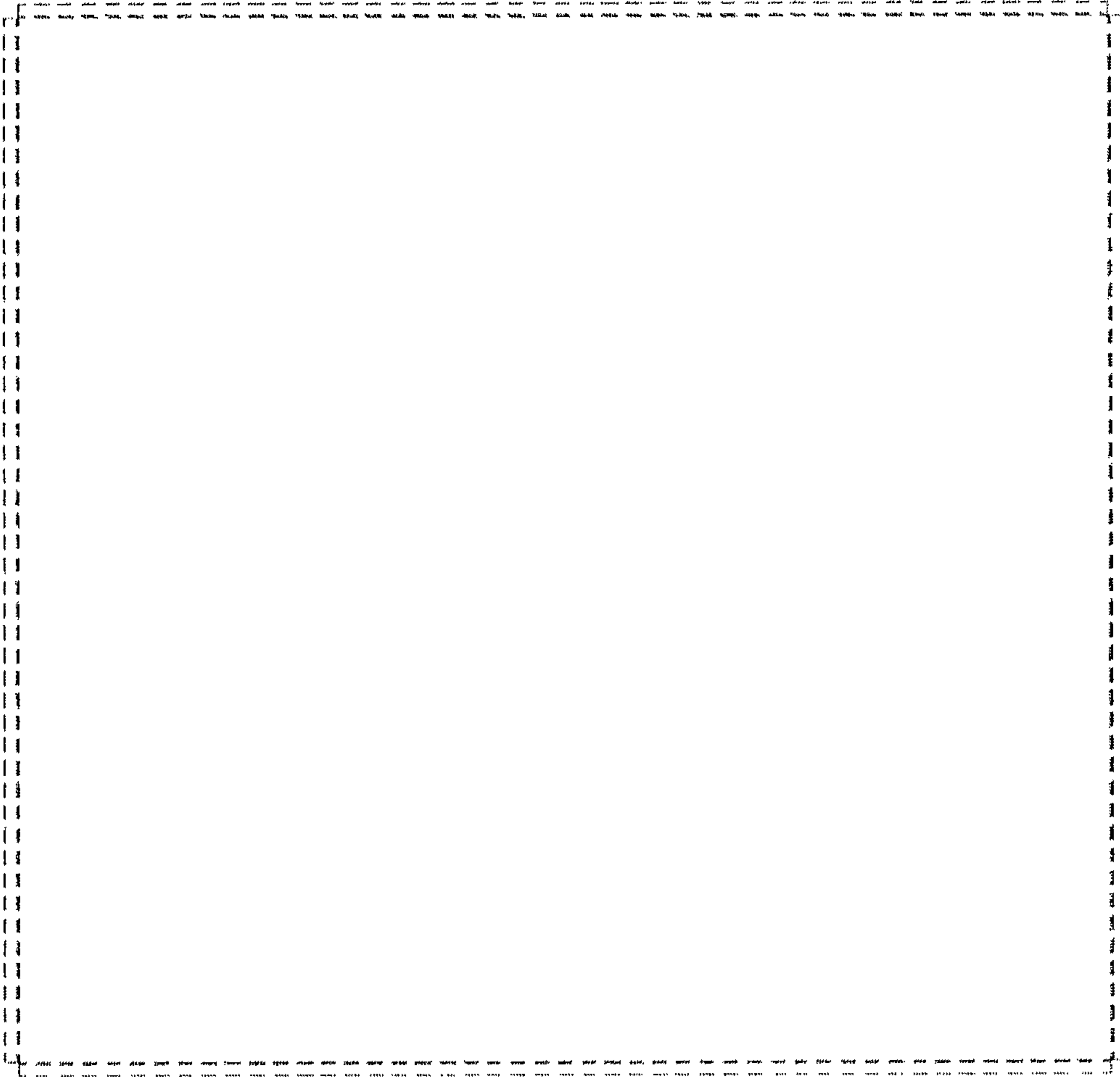


Figure 26

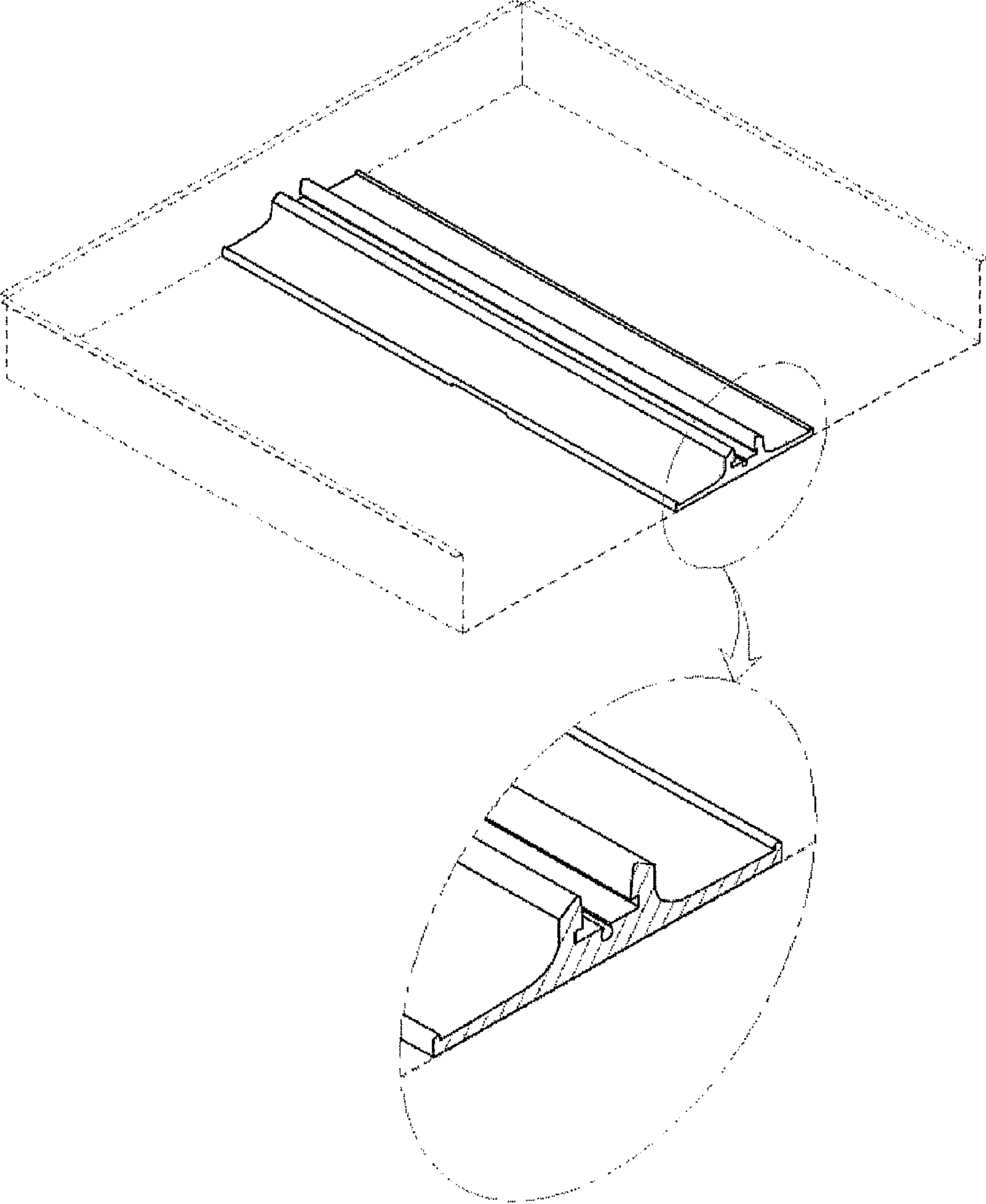


Figure 27

