



US00D660507S

(12) **United States Design Patent**
Davidson et al.

(10) **Patent No.:** **US D660,507 S**

(45) **Date of Patent:** **** May 22, 2012**

(54) **VEHICLE LIGHT COVER**

(75) Inventors: **Benjamin Davidson**, Torrance, CA
(US); **Dale Ogami**, Los Angeles, CA
(US)

(73) Assignee: **Honda Motor Co., Ltd.**, Tokyo (JP)

(**) Term: **14 Years**

(21) Appl. No.: **29/399,501**

(22) Filed: **Aug. 15, 2011**

(51) **LOC (9) Cl.** **26-99**

(52) **U.S. Cl.** **D26/139**

(58) **Field of Classification Search** D26/28-36,
D26/139; 362/459-468, 475-478, 485-487,
362/61, 80-83, 329-340

See application file for complete search history.

(56) **References Cited**

U.S. PATENT DOCUMENTS

D316,461 S * 4/1991 McGlothlin D26/139
D318,537 S * 7/1991 Allman D26/139

D364,704 S * 11/1995 Alger D26/139
D387,469 S * 12/1997 Saleen D26/139
D632,424 S * 2/2011 Fesler et al. D26/139
D640,826 S * 6/2011 Beigel et al. D26/139

* cited by examiner

Primary Examiner — Marcus Jackson

(74) *Attorney, Agent, or Firm* — Plumsea Law Group, LLC;
Mark E. Duell

(57) **CLAIM**

The ornamental design for a vehicle light cover, as shown and described.

DESCRIPTION

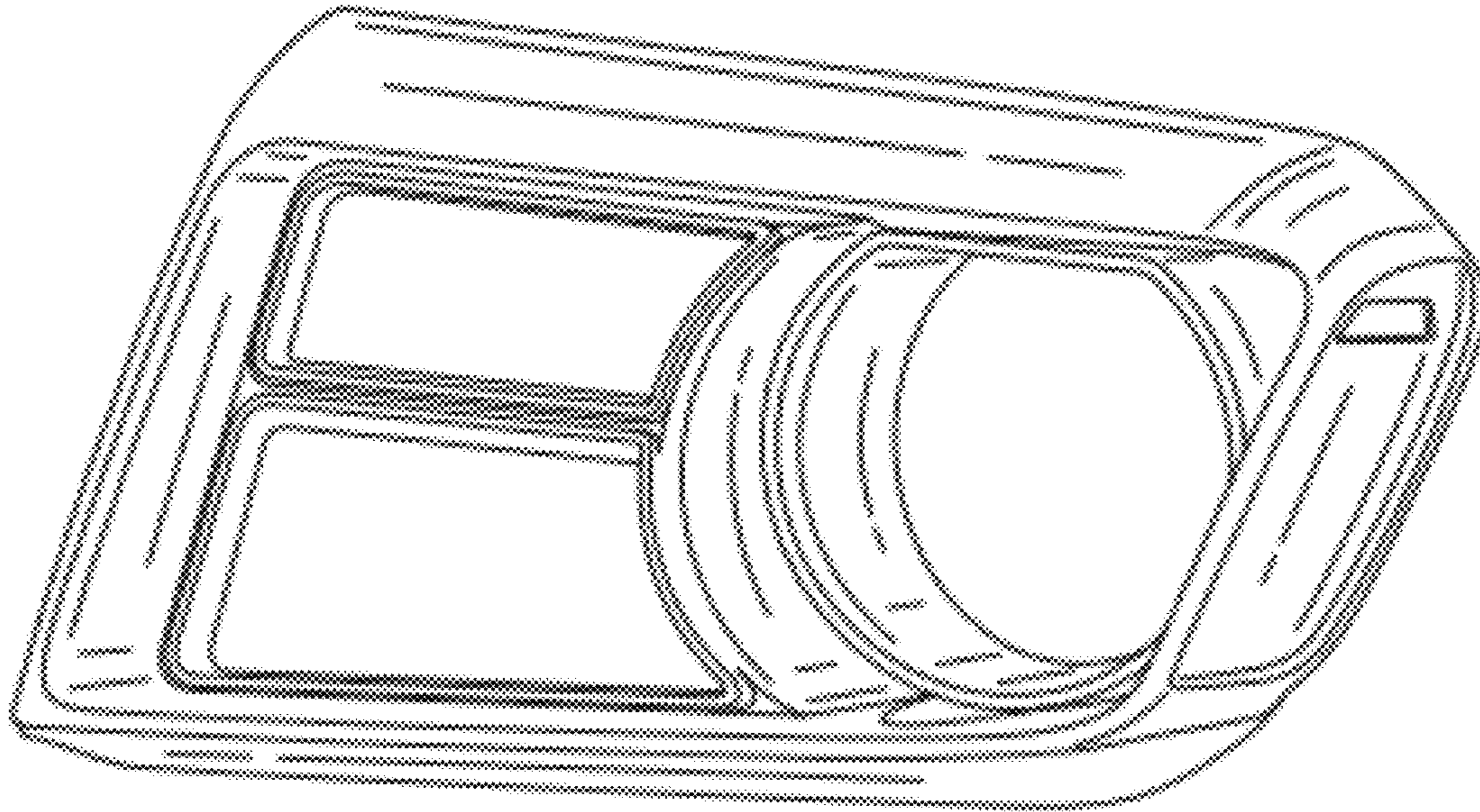
FIG. 1 is a perspective view of a vehicle light cover showing our new design;

FIG. 2 is an elevational view thereof;

FIG. 3 is a side elevational view thereof; and,

FIG. 4 is a top view thereof.

1 Claim, 2 Drawing Sheets



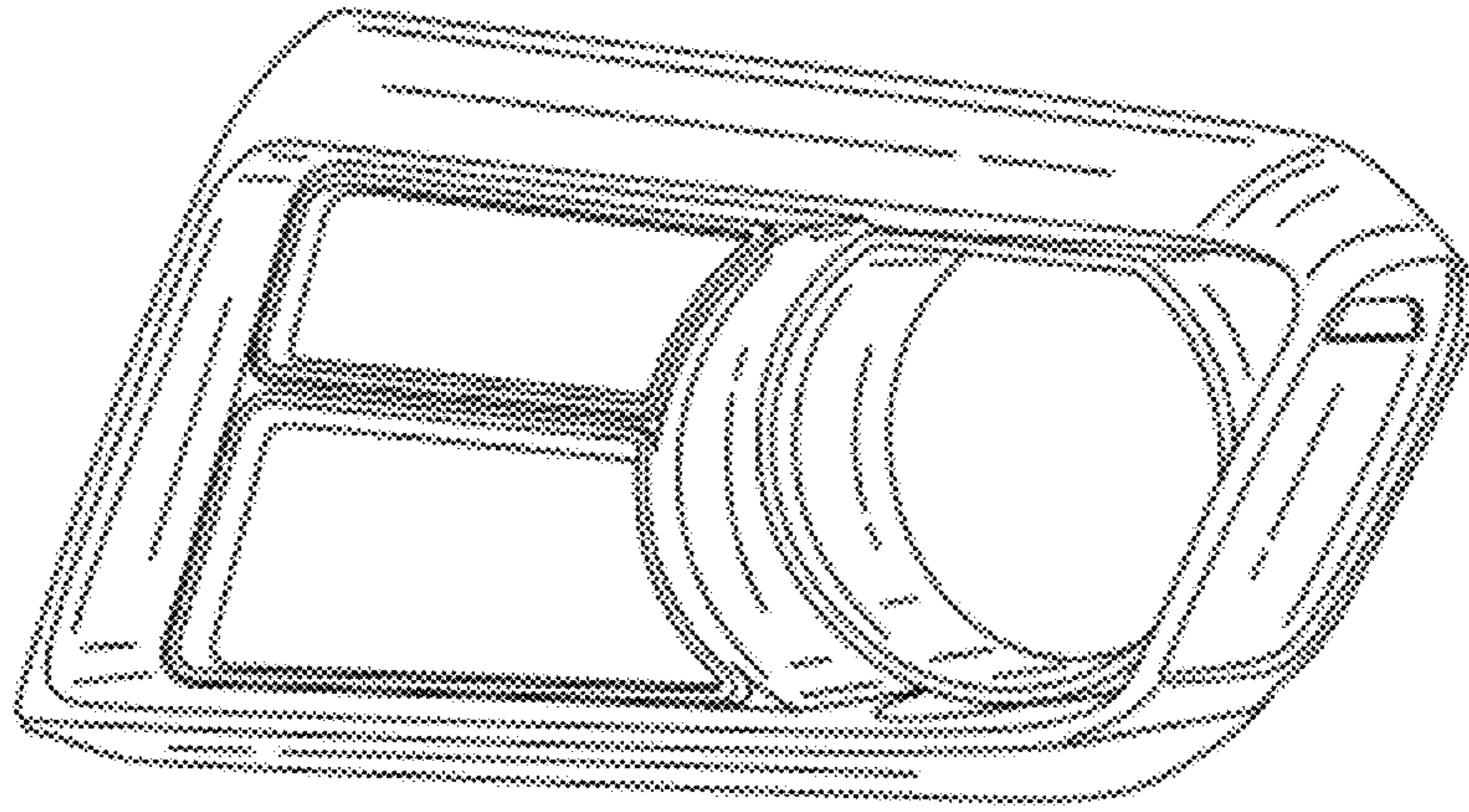


FIG. 1

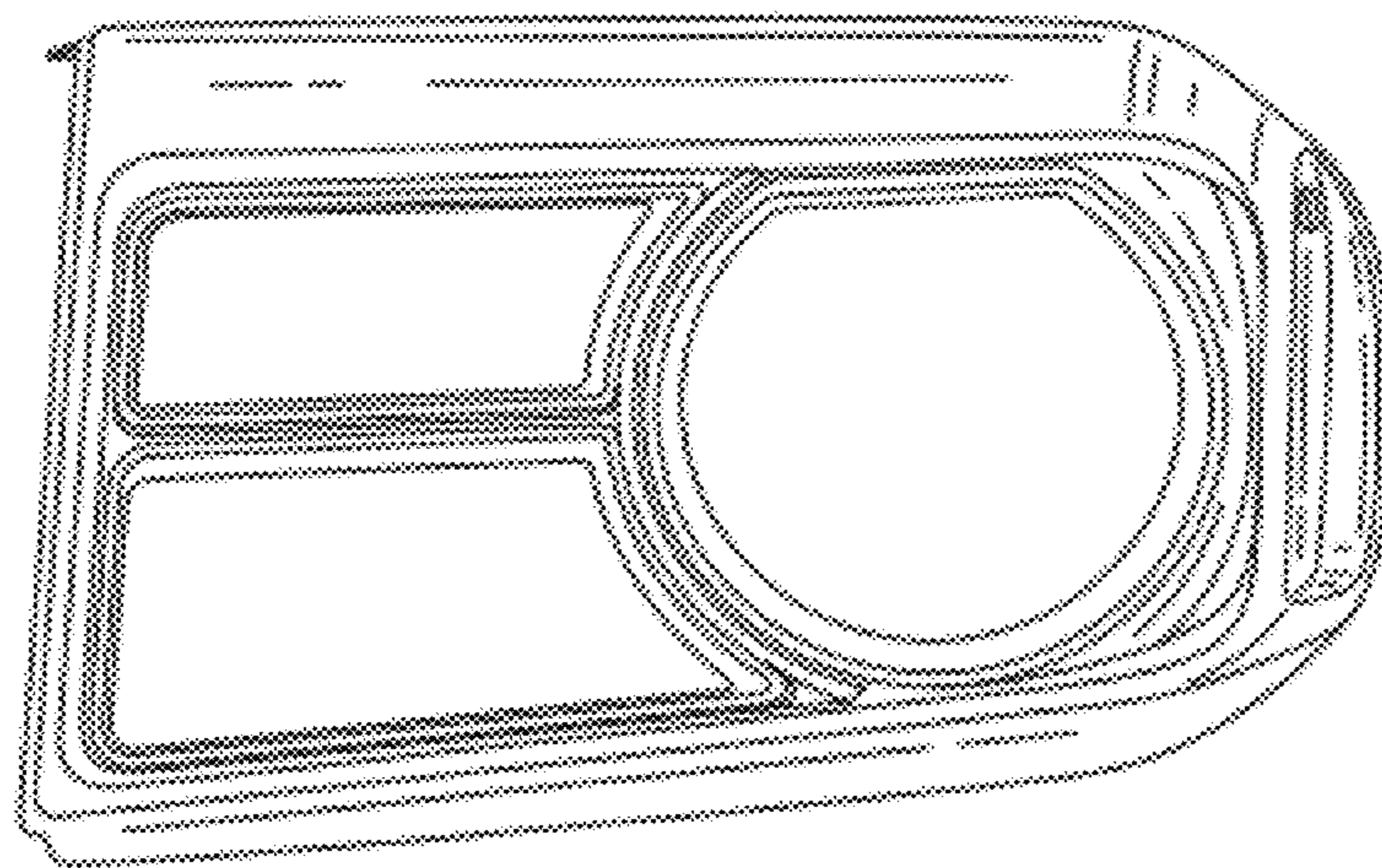


FIG. 2

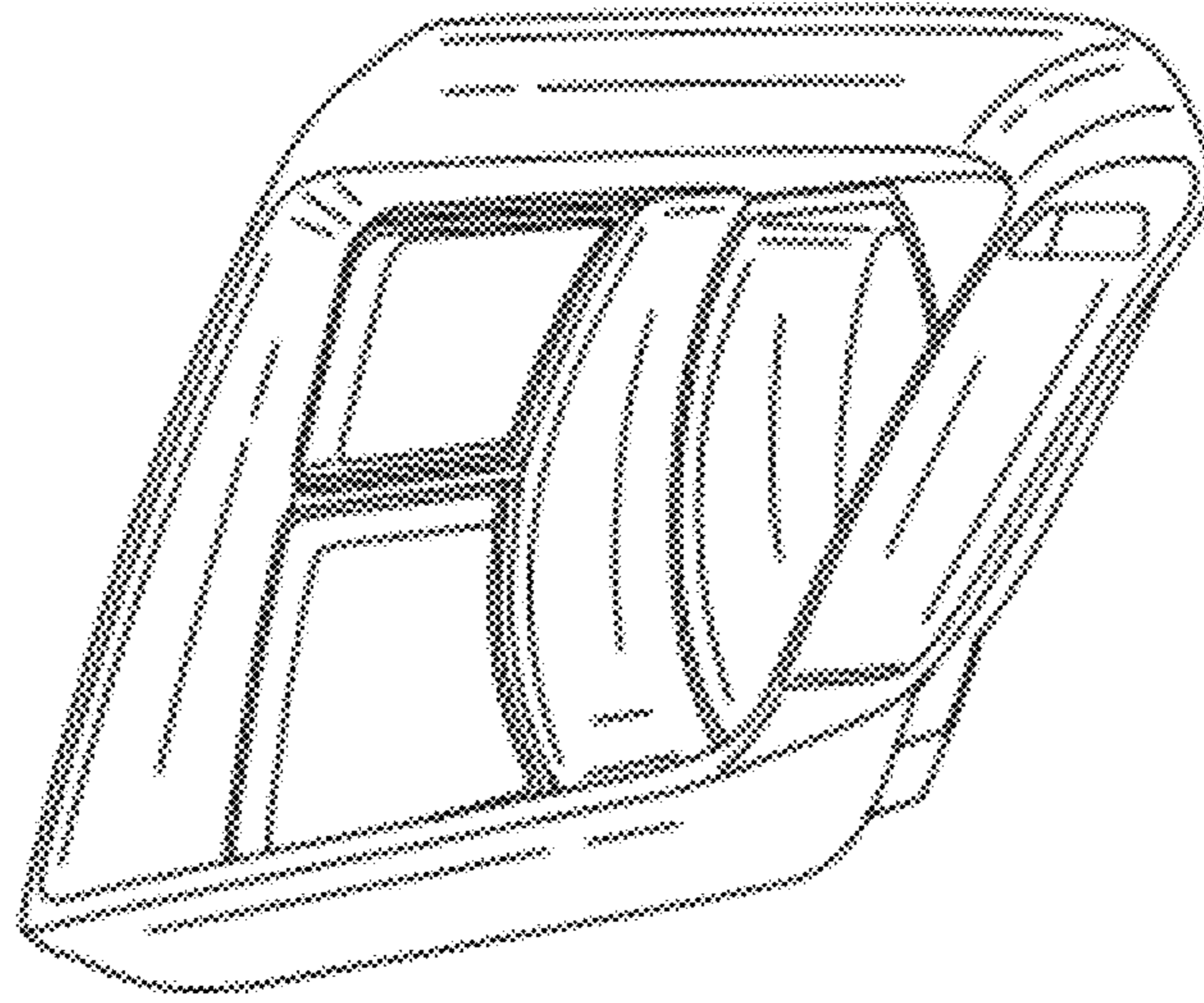


FIG. 3

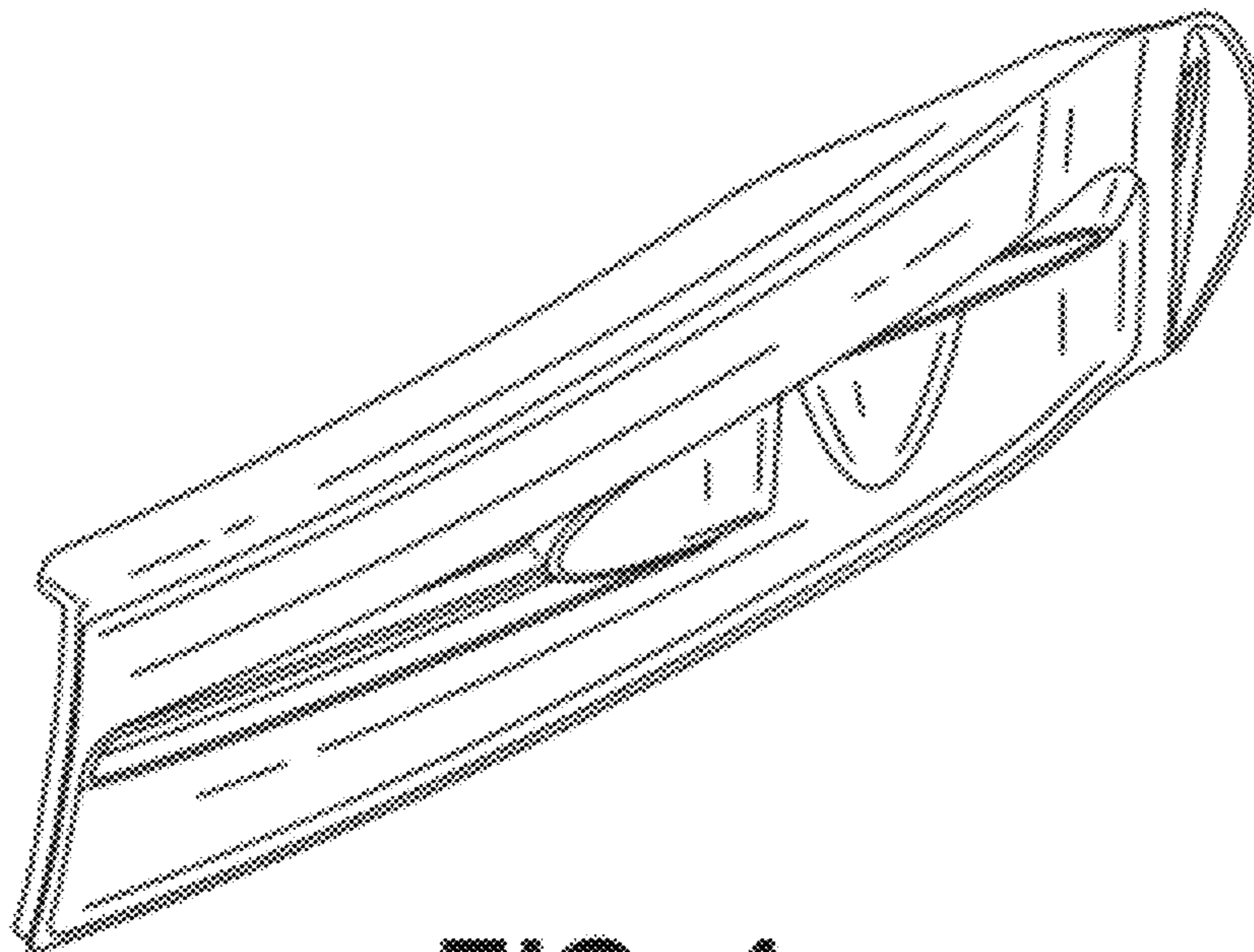


FIG. 4