

US00D660505S

(12) **United States Design Patent**  
**Smith et al.**

(10) **Patent No.:** **US D660,505 S**

(45) **Date of Patent:** **\*\* May 22, 2012**

(54) **SOLAR POWERED LIGHT BAR**

(75) Inventors: **Aaron W. Smith**, Watertown, WI (US);  
**Anthony P. Lane**, Laguna Hills, CA  
(US)

(73) Assignee: **C-M Glo, LLC**, Watertown, WI (US)

(\*\*) Term: **14 Years**

(21) Appl. No.: **29/380,536**

(22) Filed: **Dec. 7, 2010**

(51) **LOC (9) Cl.** ..... **26-03**

(52) **U.S. Cl.** ..... **D26/92; D26/63**

(58) **Field of Classification Search** ..... D26/67-71,  
D26/85, 63, 92; 362/102, 152, 153, 153.1,  
362/180, 183, 431, 653

See application file for complete search history.

(56) **References Cited**

U.S. PATENT DOCUMENTS

D155,488 S *	10/1949	Crockett	.....	D26/60
D175,933 S *	11/1955	Crockett	.....	D26/60
D313,395 S *	1/1991	Orchard et al.	.....	D26/67
D321,950 S *	11/1991	Enthoven	.....	D26/92
D396,121 S *	7/1998	West	.....	D26/67
D422,735 S *	4/2000	Lam	.....	D26/68
D424,729 S *	5/2000	Sonnenfeldt	.....	D26/67
D439,999 S *	4/2001	Stekelenburg	.....	D26/65
D482,487 S *	11/2003	Russello et al.	.....	D26/87
D501,945 S *	2/2005	Friedman et al.	.....	D26/71

D501,947 S *	2/2005	Haugaard et al.	.....	D26/71
D530,033 S *	10/2006	Izardel	.....	D26/67
D531,748 S *	11/2006	Sanoner	.....	D26/68
D533,675 S *	12/2006	Didier et al.	.....	D26/67
D539,464 S *	3/2007	Dworschak	.....	D26/92
D545,471 S *	6/2007	Guercio	.....	D26/63
D549,380 S *	8/2007	Guercio	.....	D26/63
D563,013 S *	2/2008	Levine	.....	D26/63
D573,287 S *	7/2008	Chung et al.	.....	D26/63
D599,495 S *	9/2009	Xiao et al.	.....	D26/67
D625,453 S *	10/2010	Morton et al.	.....	D26/68
D625,868 S *	10/2010	Rashidi	.....	D26/63
D641,905 S *	7/2011	Janssen	.....	D26/63

\* cited by examiner

*Primary Examiner* — Clare E Heflin

(74) *Attorney, Agent, or Firm* — Boyle Fredrickson, s.c.

(57) **CLAIM**

The ornamental design for a solar powered light bar, as shown and described.

**DESCRIPTION**

FIG. 1 is an isometric view of a solar powered light bar incorporating my new design, wherein the portions illustrated in phantom form no part of the claimed design;

FIG. 2 is a right side elevation view thereof, wherein the left side elevation view is a mirror image;

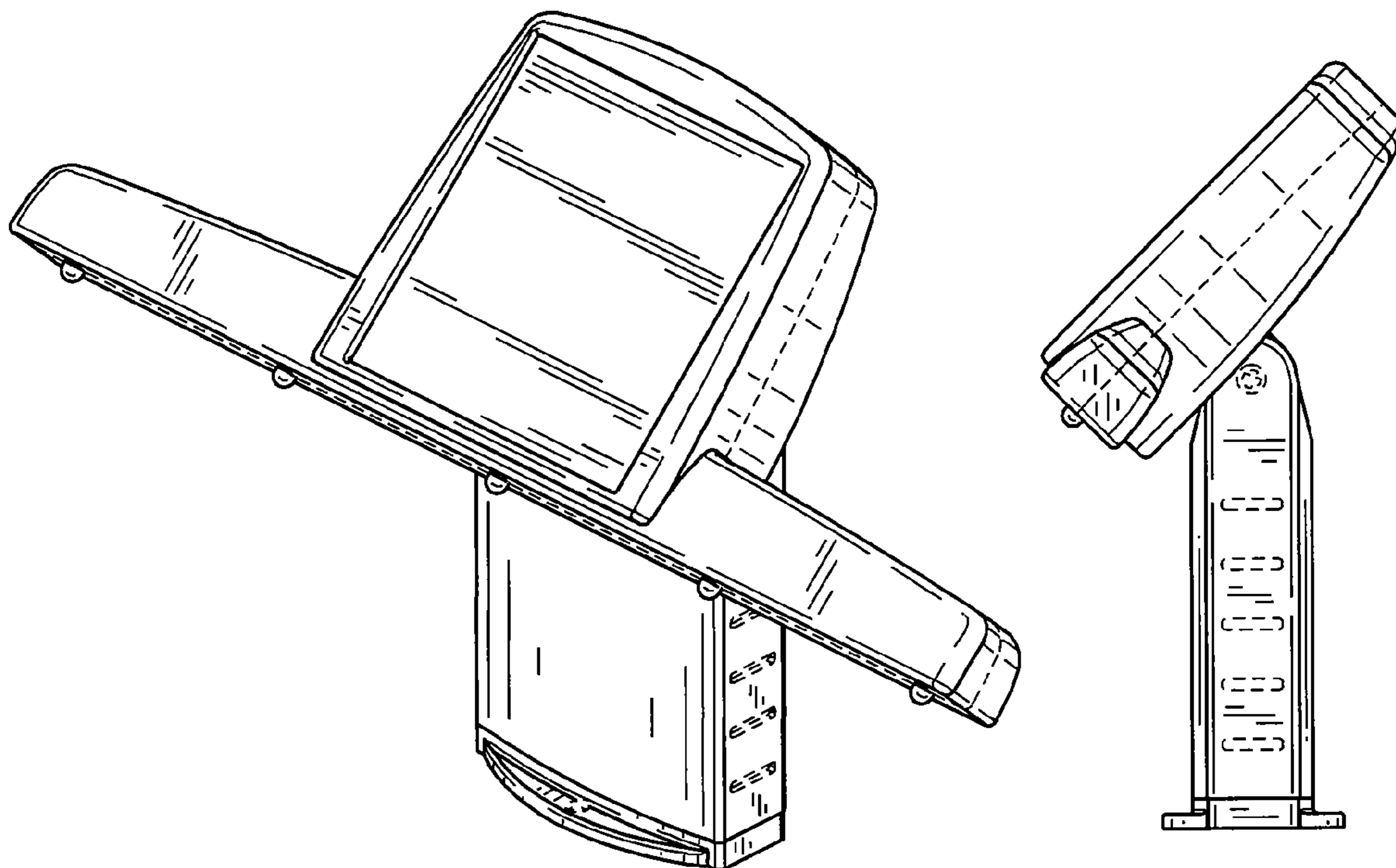
FIG. 3 is a top plan view thereof;

FIG. 4 is a front elevation view thereof;

FIG. 5 is a bottom plan view thereof; and,

FIG. 6 is a rear elevation view thereof.

**1 Claim, 3 Drawing Sheets**



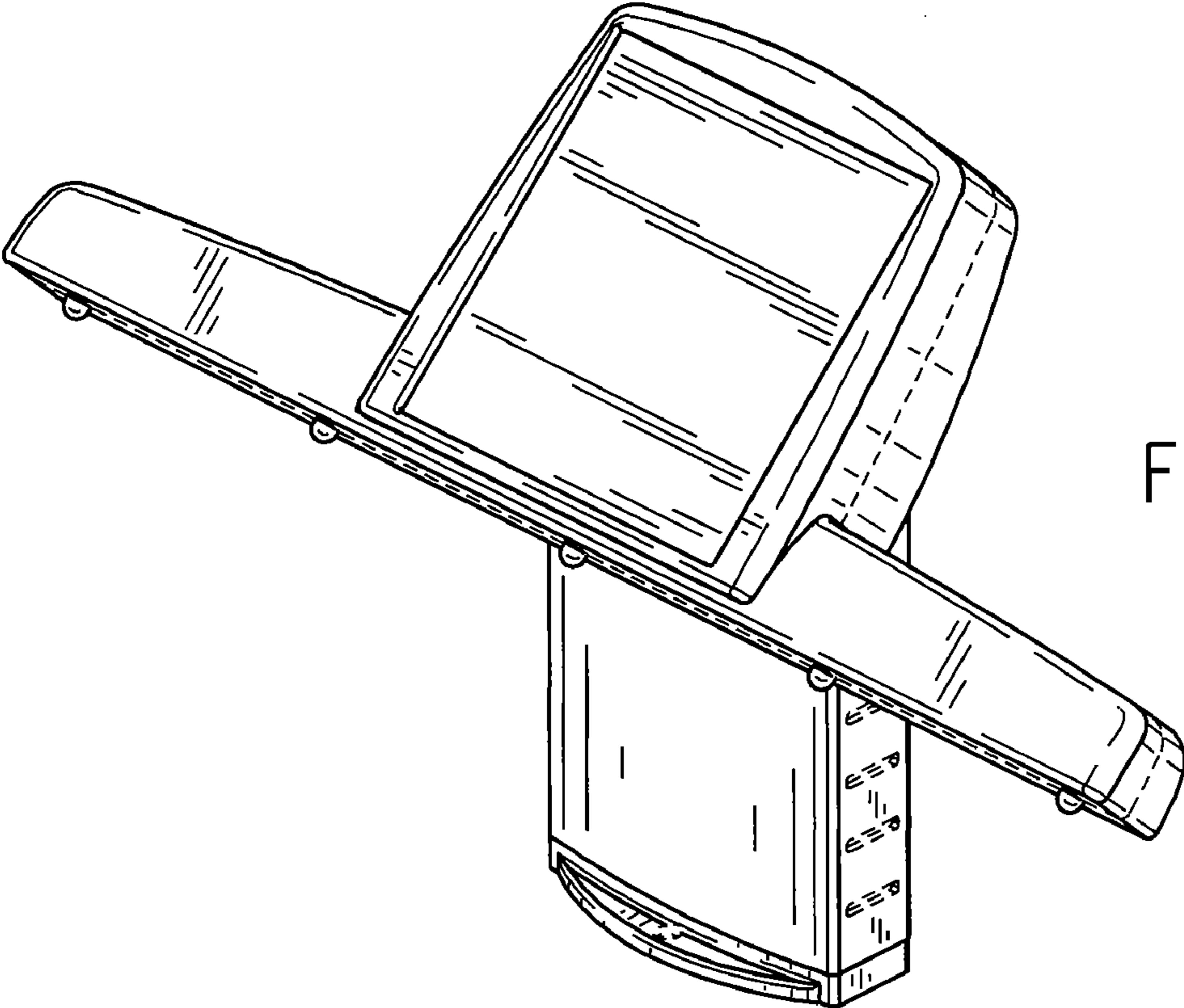


FIG. 1

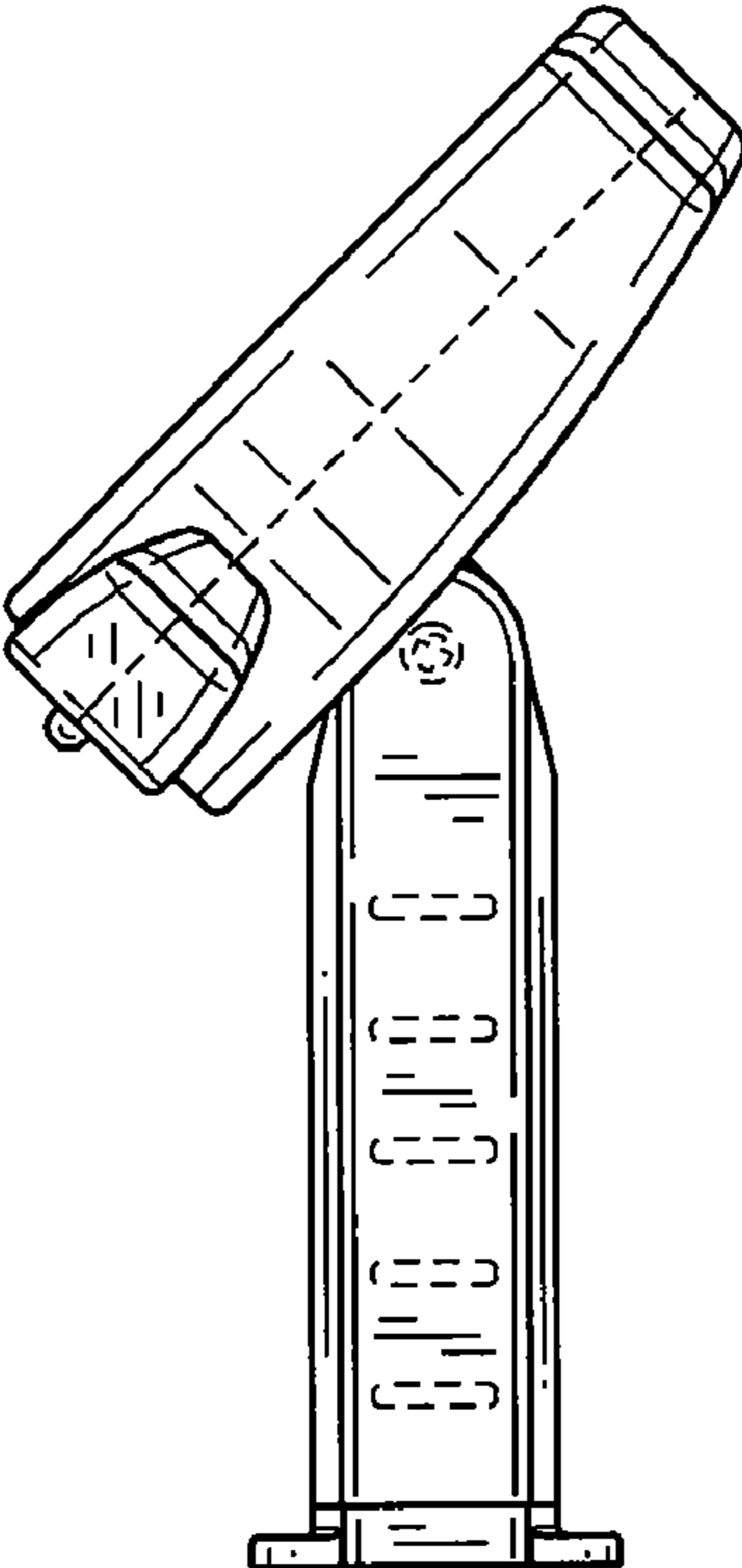


FIG. 2

FIG. 3

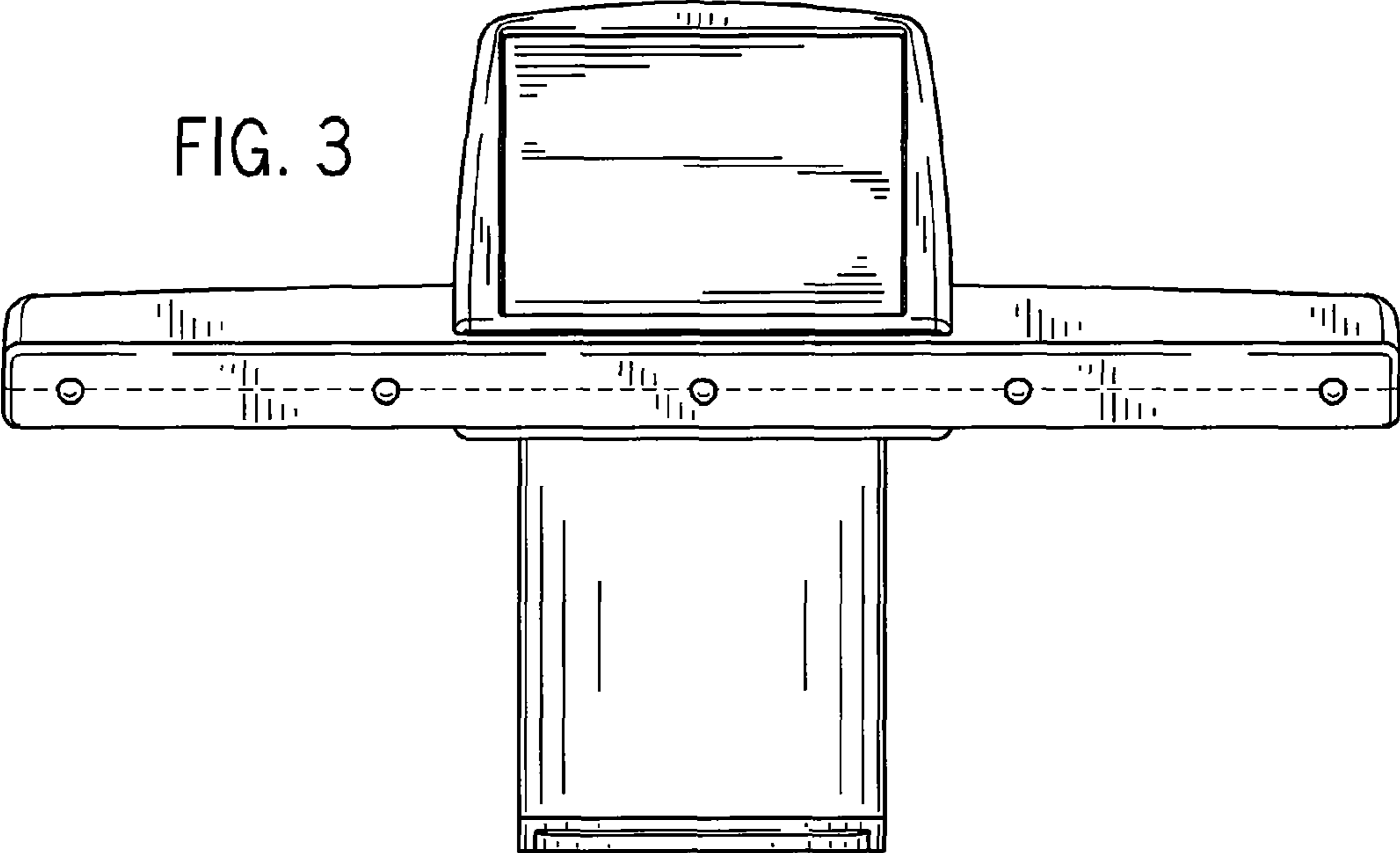


FIG. 4

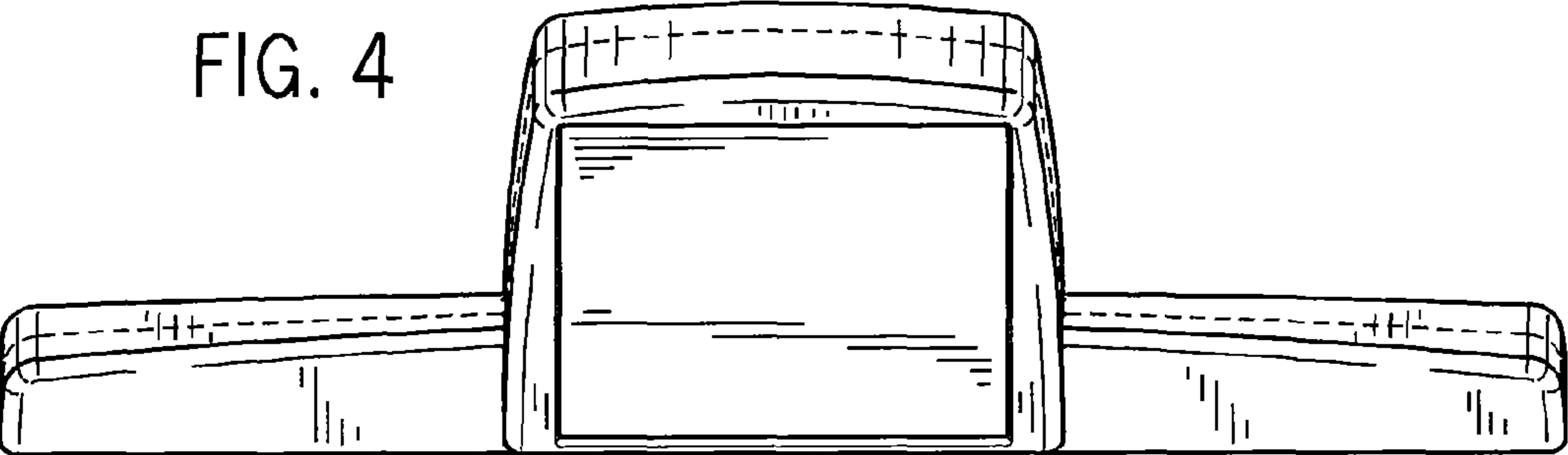


FIG. 5

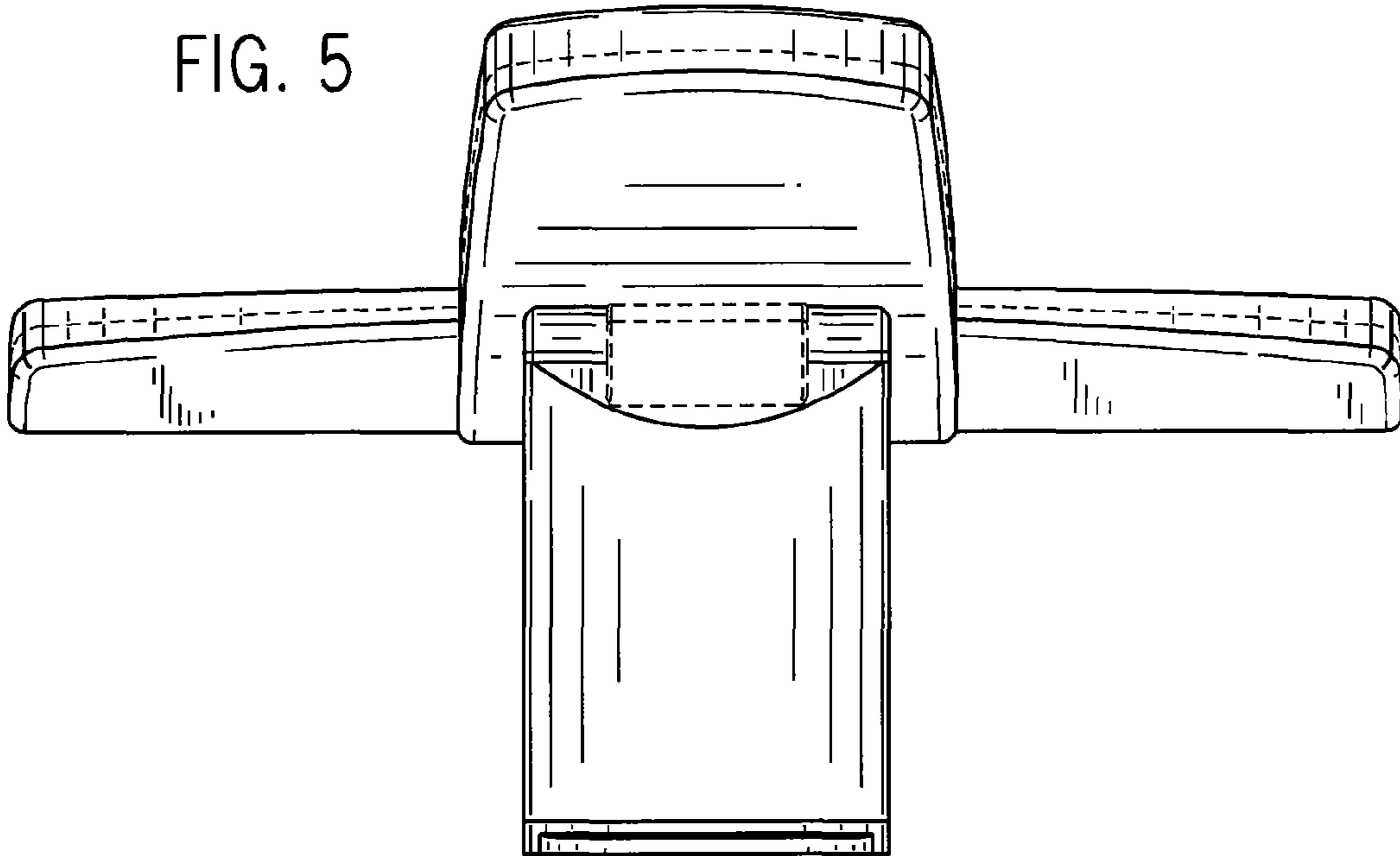


FIG. 6

