



US00D660502S

(12) **United States Design Patent**
Mancini et al.

(10) **Patent No.:** **US D660,502 S**

(45) **Date of Patent:** **** May 22, 2012**

(54) **LIGHTING APPARATUS**

(75) Inventors: **Maria Mancini**, Turin (IT); **Carlo Albano**, Turin (IT); **Martina Krulis**, Turin (IT)

(73) Assignee: **Ilti Luce S.r.l.**, Turin (IT)

(**) Term: **14 Years**

(21) Appl. No.: **29/363,892**

(22) Filed: **Jun. 16, 2010**

(30) **Foreign Application Priority Data**

Dec. 16, 2009 (EM) 001184717-0009

(51) **LOC (9) Cl.** **26-03**

(52) **U.S. Cl.** **D26/83; D26/84**

(58) **Field of Classification Search** D26/63,
D26/72, 83, 84, 85, 86, 87, 88, 89, 119, 128;
362/147, 350, 404-408, 453-456, 431, 432

See application file for complete search history.

(56) **References Cited**

U.S. PATENT DOCUMENTS

D46,875 S *	1/1915	Gleason	D26/84
D48,279 S *	12/1915	Guth	D26/83
D349,777 S *	8/1994	Kelly et al.	D26/63
D367,722 S *	3/1996	Yuen	D26/63
D392,761 S *	3/1998	Bellini et al.	D26/63
D407,518 S *	3/1999	Yeh	D26/63
D417,519 S *	12/1999	Cutler	D26/63
D442,717 S *	5/2001	Binsukor	D26/63
D490,925 S *	6/2004	Wilmotte	D26/63

D541,457 S *	4/2007	Benghozi	D26/63
D589,197 S *	3/2009	Sabernig	D26/83
D592,788 S *	5/2009	Sabernig	D26/83
D628,330 S *	11/2010	Sabernig	D26/63

OTHER PUBLICATIONS

Matria Collection 13 ½" Wide Ceiling Light Fixture found at eurostylelighting.com visited on Aug. 5, 2010.*

Forecast INGO 13 ½" Wide Ceiling Light Fixture found at eurostylelighting.com visited on Aug. 5, 2010.*

Nice Cube Frosted Glass 12 ½" Wide Ceiling Light Fixture found at eurostylelighting.com visited on Aug. 5, 2010.*

Steps Collection 15" Wide 4-Light Ceiling Light found at eurostylelighting.com visited on Aug. 5, 2010.*

* cited by examiner

Primary Examiner — Clare E Heflin

(57) **CLAIM**

The ornamental design for a lighting apparatus, as shown and described.

DESCRIPTION

FIG. 1 is a top plan view of a lighting apparatus showing the new design;

FIG. 2 is a bottom plan view thereof;

FIG. 3 is a right side elevational view thereof;

FIG. 4 is a left side elevational view thereof;

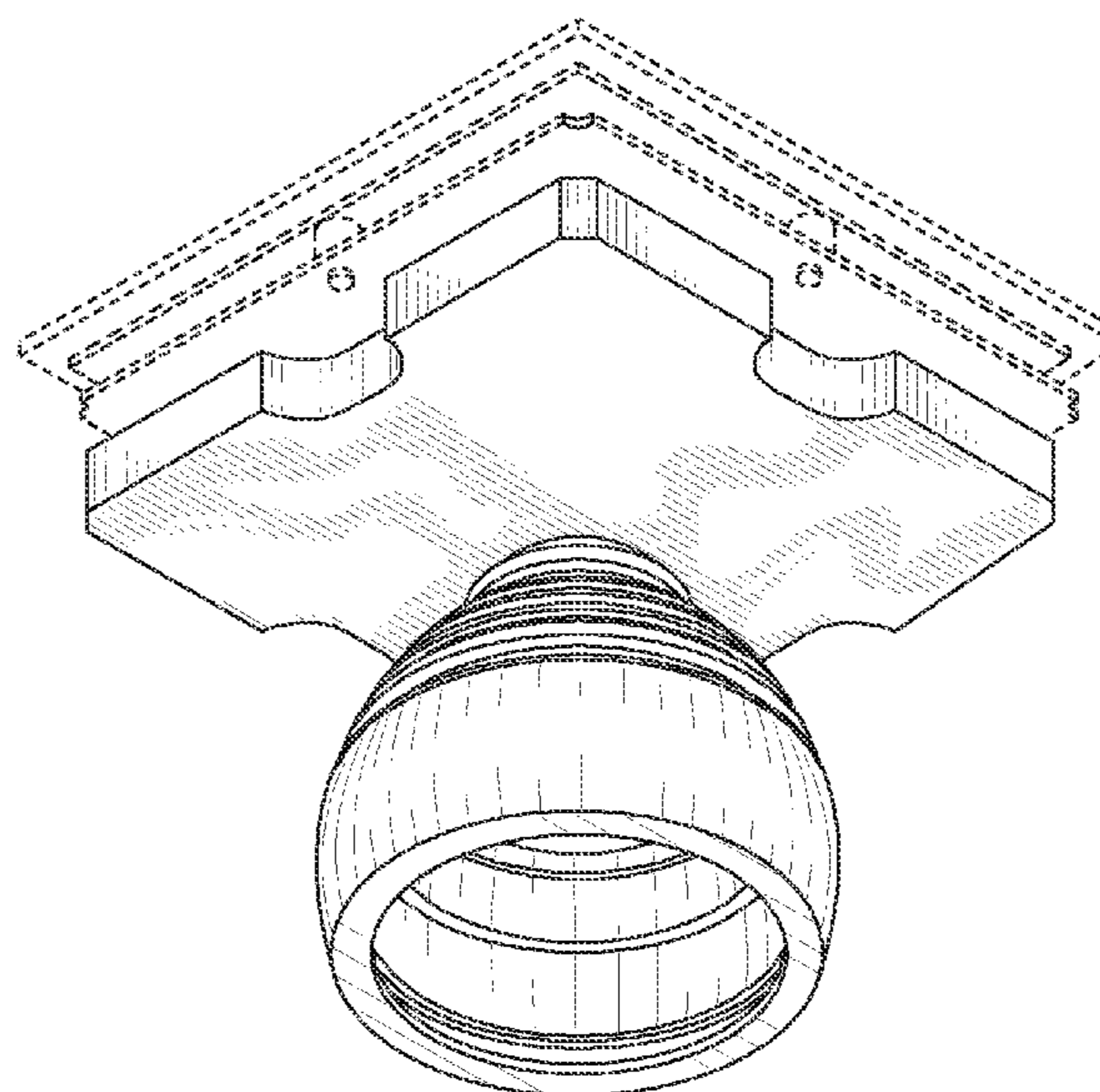
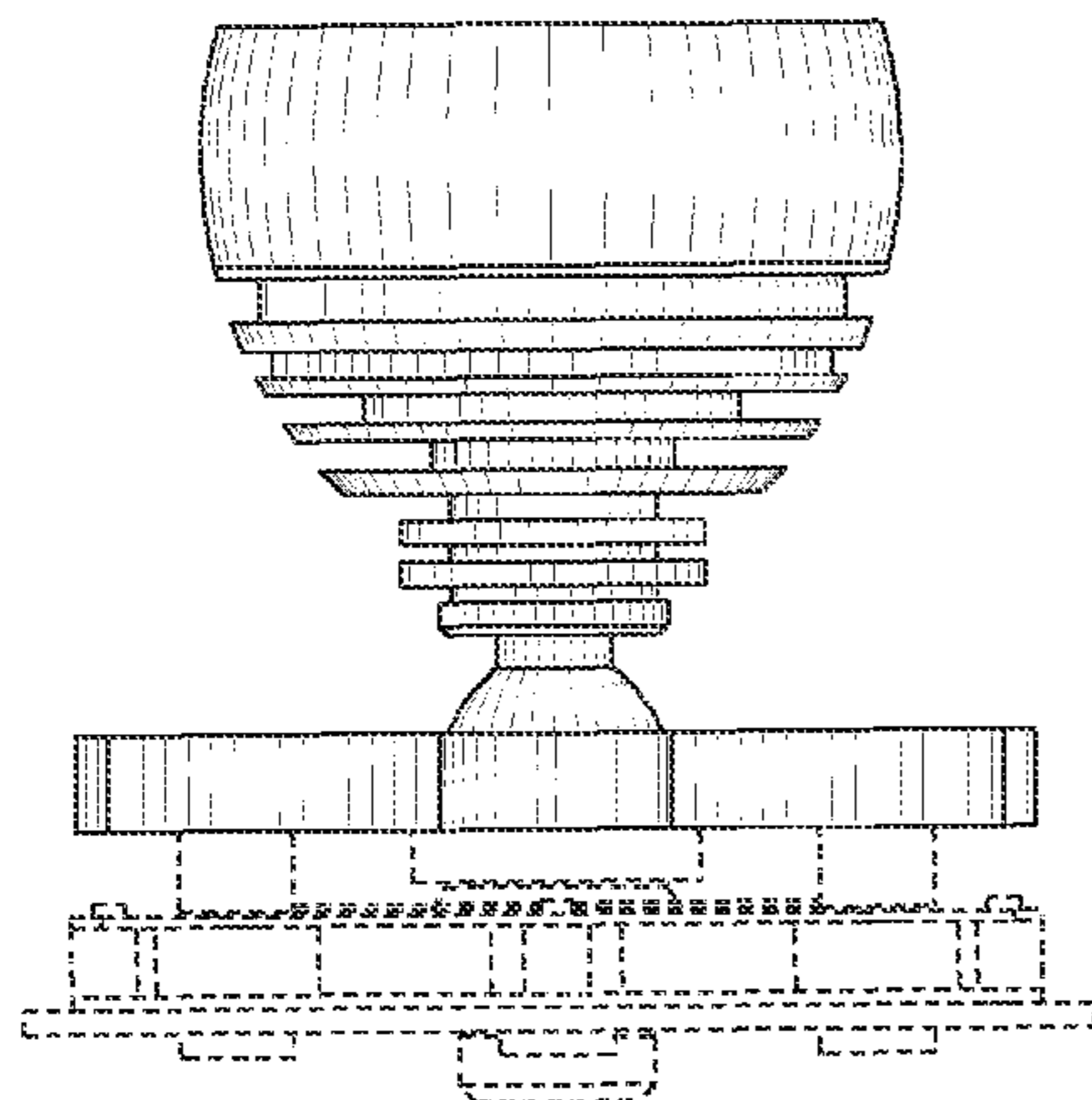
FIG. 5 is a front elevational view thereof;

FIG. 6 is a rear elevational view thereof; and,

FIG. 7 is a bottom perspective view thereof.

All broken lines in the drawings illustrate features that form no part of the claimed design.

1 Claim, 4 Drawing Sheets



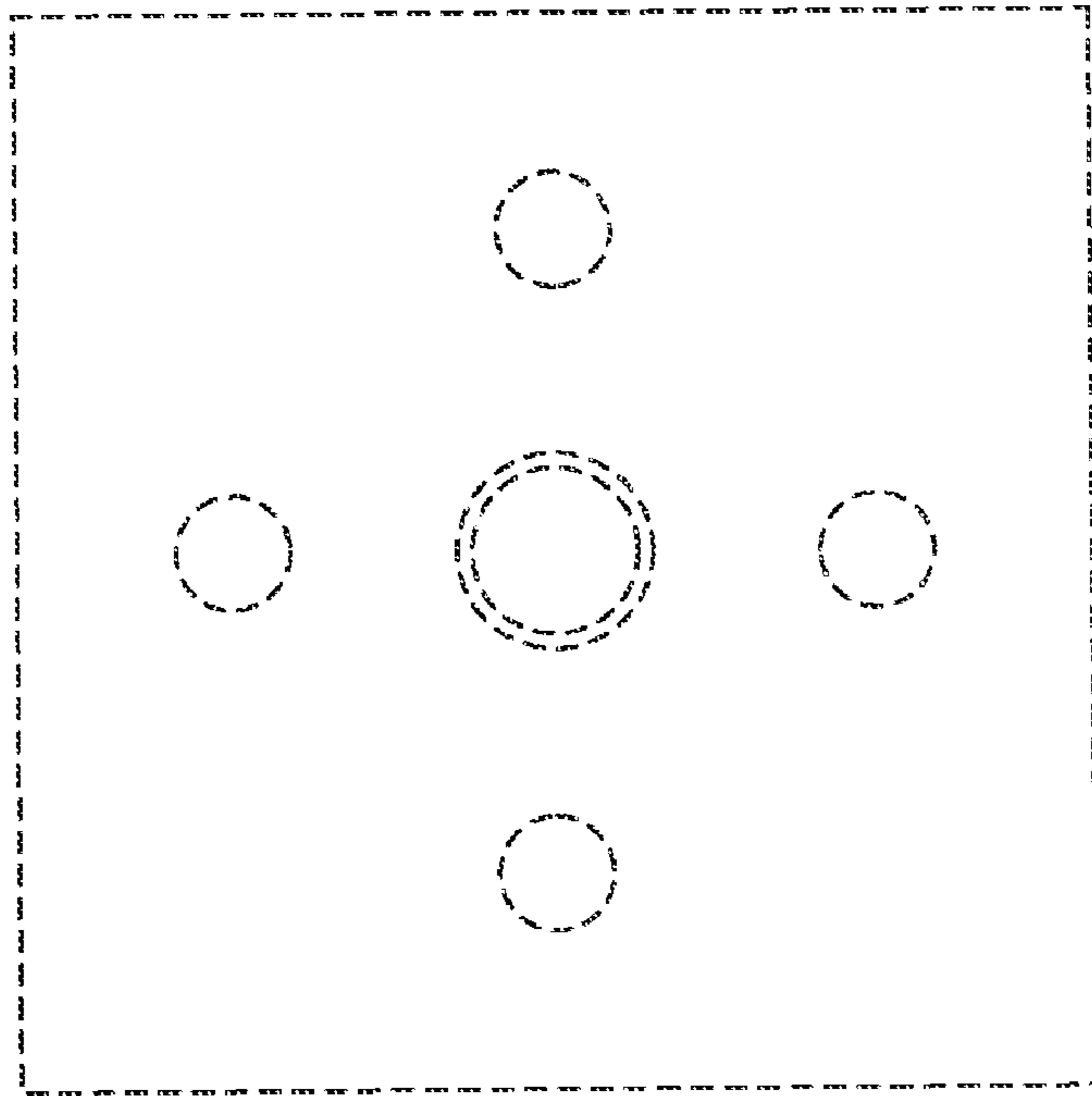


FIG. 1

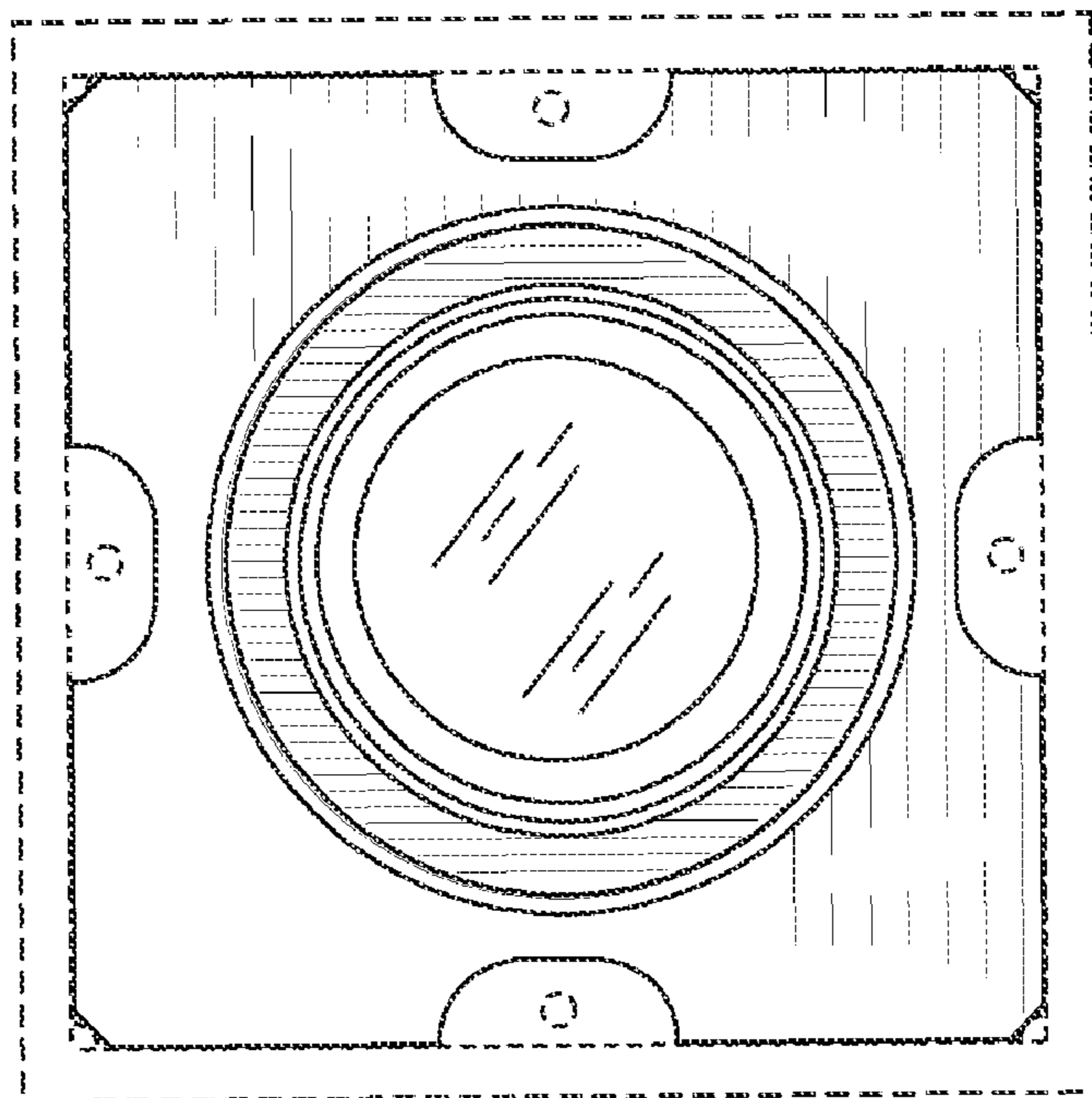


FIG. 2

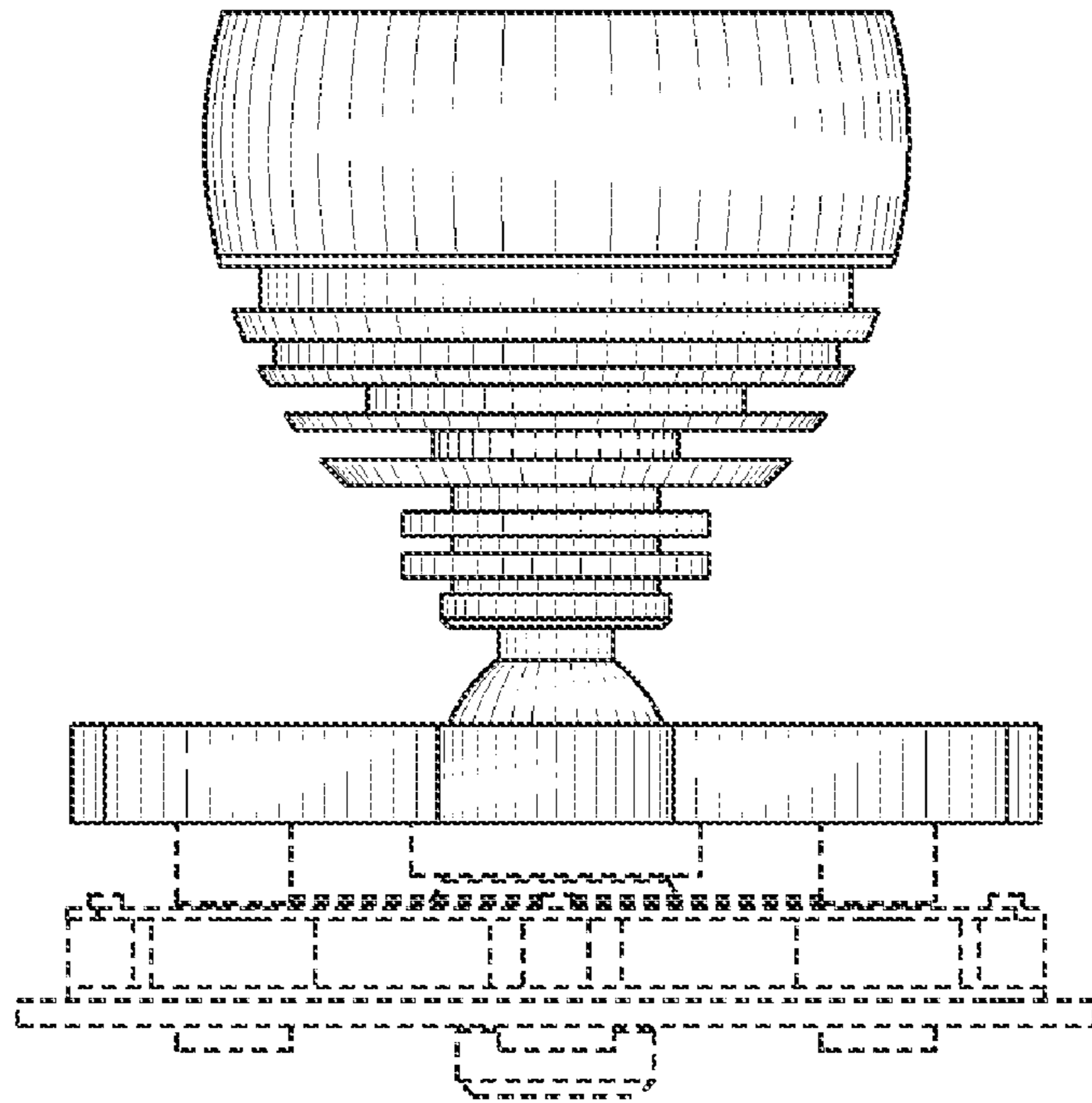


FIG. 3

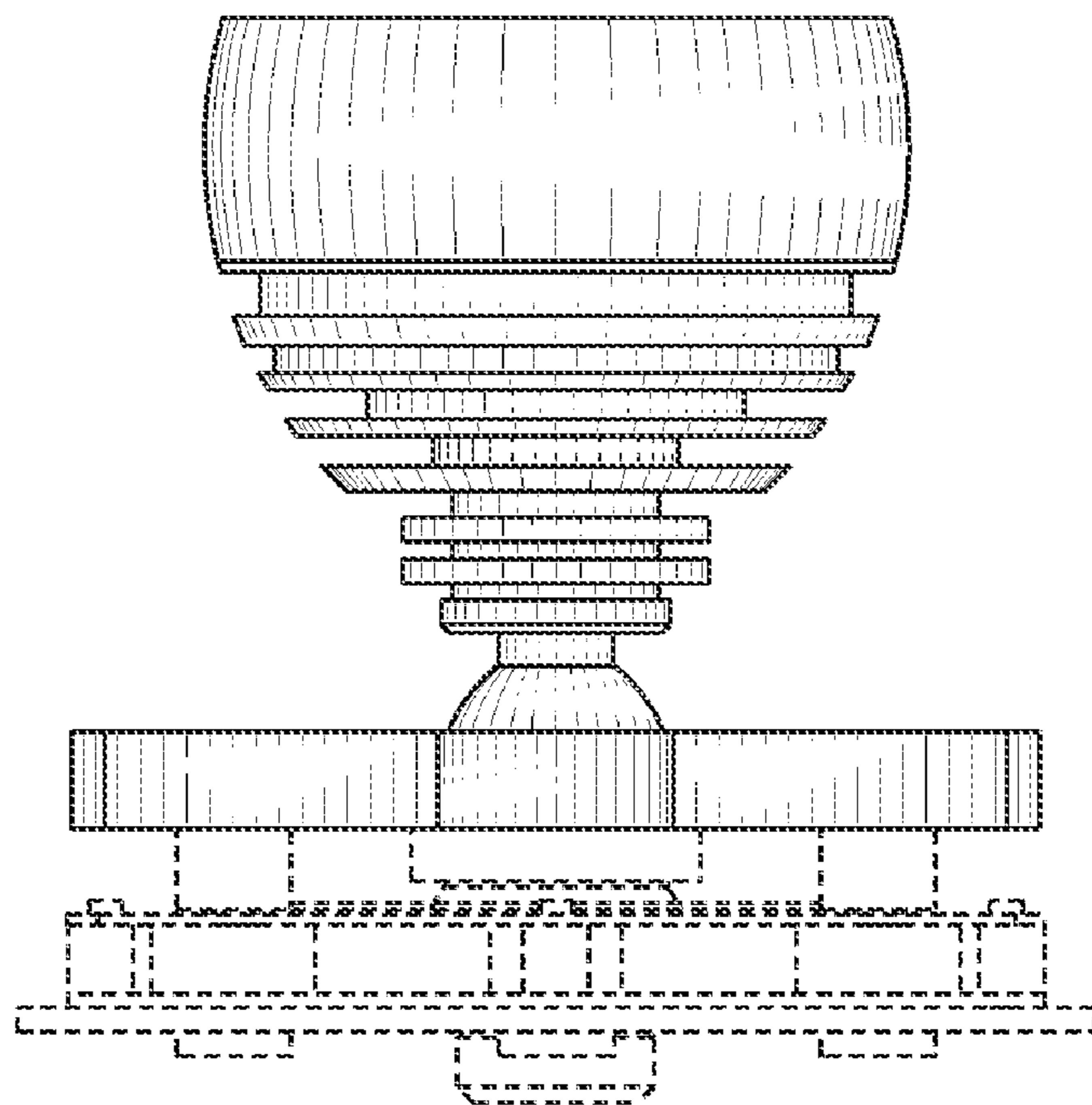


FIG. 4

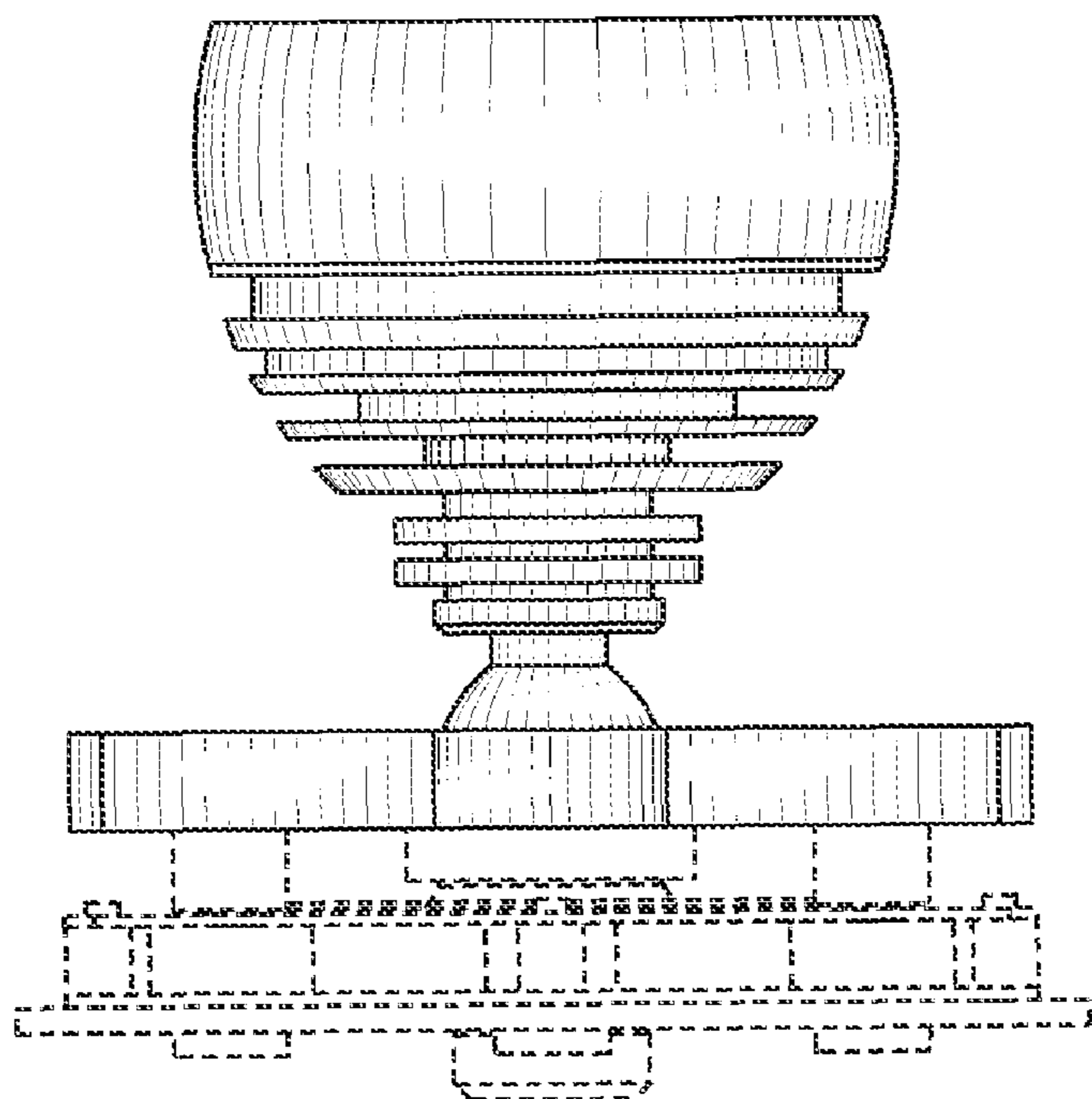


FIG. 5

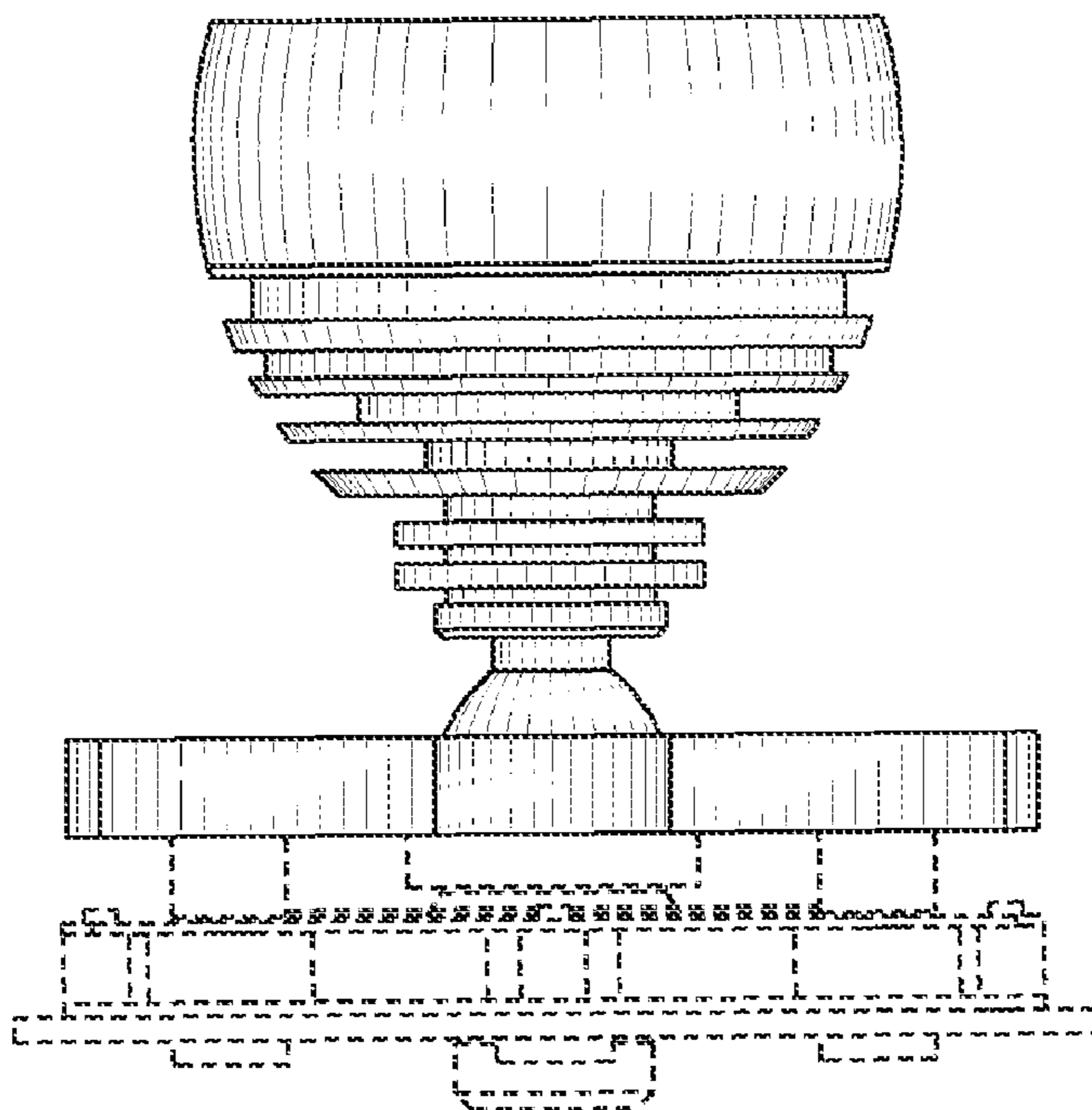


FIG. 6

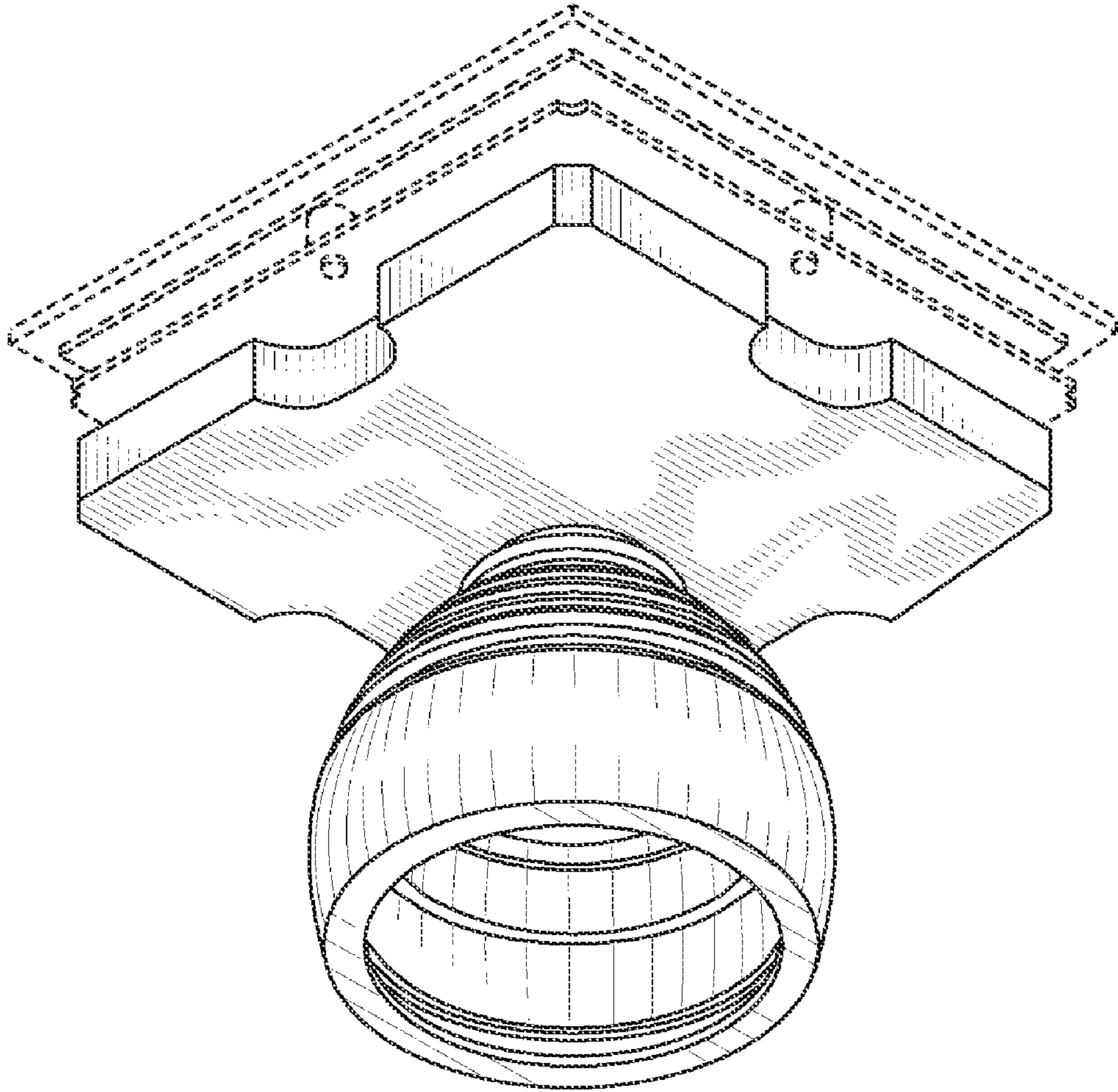


FIG. 7