



US00D660501S

(12) **United States Design Patent**  
**Martin**

(10) **Patent No.:** **US D660,501 S**

(45) **Date of Patent:** **\*\* May 22, 2012**

(54) **LAMP**

(75) **Inventor:** **David Martin**, Brandon, VT (US)

(73) **Assignee:** **Hubbardton Forge, LLC**, Castleton, VT (US)

(\*\*) **Term:** **14 Years**

(21) **Appl. No.:** **29/406,470**

(22) **Filed:** **Nov. 15, 2011**

(51) **LOC (9) Cl.** ..... **26-03**

(52) **U.S. Cl.** ..... **D26/82; D26/91**

(58) **Field of Classification Search** ..... D26/80-82,  
D26/84, 86, 88, 90, 92, 128, 146, 147; 362/147,  
362/404-408

See application file for complete search history.

(56) **References Cited**

**U.S. PATENT DOCUMENTS**

D43,114 S *	10/1912	Schepmocs	.....	D26/88
D43,646 S *	2/1913	Ryan	.....	D26/88
D79,375 S *	9/1929	Lazerson	.....	D26/88
D80,418 S *	1/1930	Hoch	.....	D26/91
D84,764 S *	7/1931	Stange	.....	D26/88
D87,140 S *	6/1932	Wing	.....	D26/88
D205,004 S *	6/1966	Puszka	.....	D26/122
D251,630 S *	4/1979	Larson	.....	D26/128
D339,650 S *	9/1993	Vieyra	.....	D26/84
D428,516 S *	7/2000	Reo et al.	.....	D26/118
D440,346 S *	4/2001	Johnson	.....	D26/128
D480,171 S *	9/2003	Alduby	.....	D26/118
D482,818 S *	11/2003	Vegliante	.....	D26/128
D558,912 S *	1/2008	Crosby	.....	D26/88
D566,880 S *	4/2008	Silver	.....	D26/88
D580,089 S *	11/2008	Ly et al.	.....	D26/88
D592,793 S *	5/2009	Chandler	.....	D26/88

D592,796 S *	5/2009	Chandler	.....	D26/90
D605,334 S *	12/2009	Hanser-Strecker	.....	D26/88
D606,702 S *	12/2009	Chandler	.....	D26/88

**OTHER PUBLICATIONS**

Sonneman Handkerchief Pendant Chandelier found at LampsPlus.com visited Sep. 20, 2007.\*

\* cited by examiner

*Primary Examiner* — Clare E Heflin

(74) *Attorney, Agent, or Firm* — Bourque and Associates, PA

(57) **CLAIM**

The ornamental design for a lamp, as shown.

**DESCRIPTION**

FIG. 1 is a perspective view of the lamp according to the present invention;

FIG. 2 is a front view of the lamp thereof;

FIG. 3 is a back view of the lamp thereof;

FIG. 4 is a left view of the lamp thereof;

FIG. 5 is a right view of the lamp thereof;

FIG. 6 is a top view of the lamp thereof;

FIG. 7 is a bottom view of the lamp thereof;

FIG. 8 is a perspective view of the lamp according to a second embodiment of the present invention;

FIG. 9 is a front view thereof;

FIG. 10 is a back view thereof;

FIG. 11 is a left view thereof;

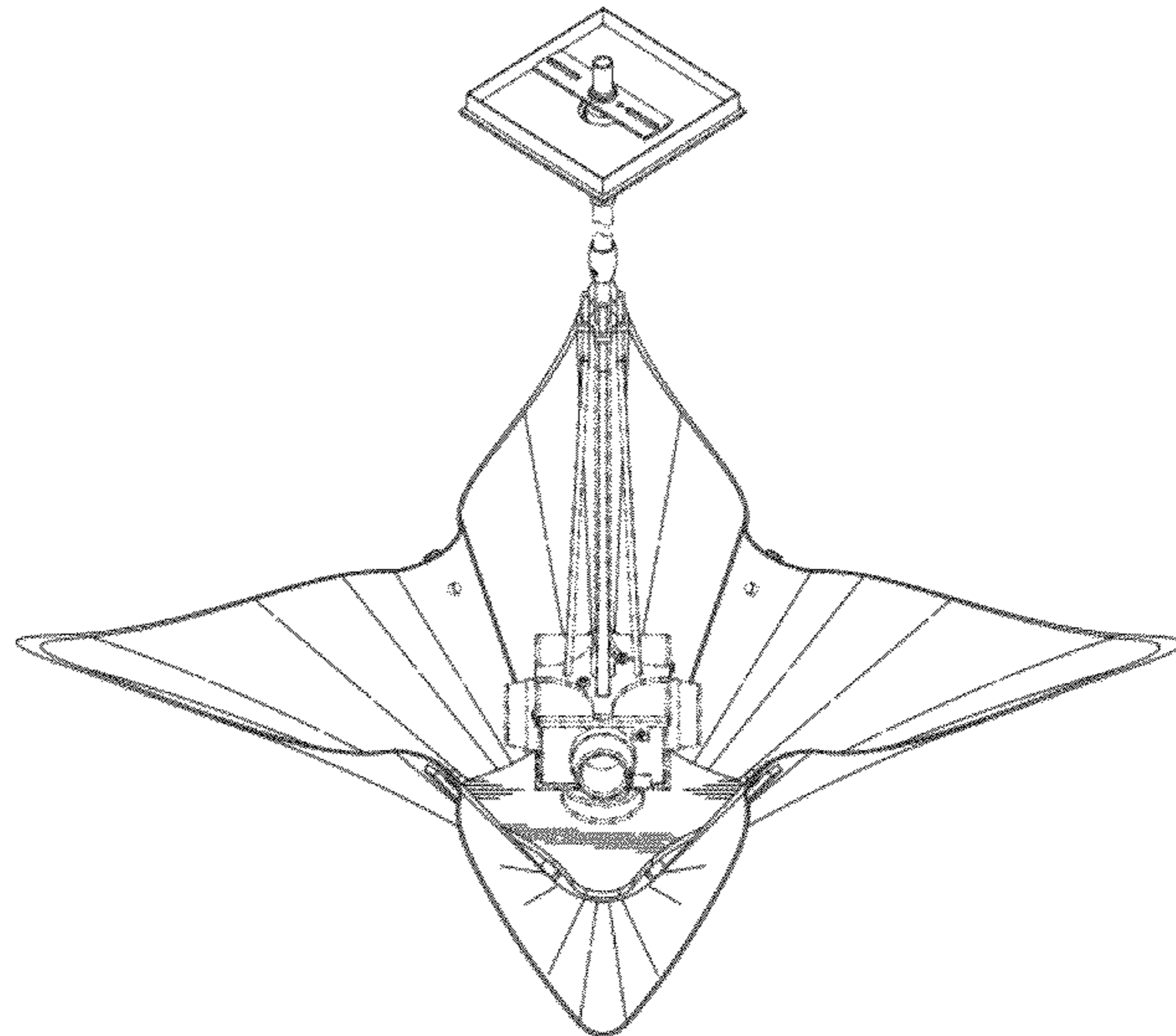
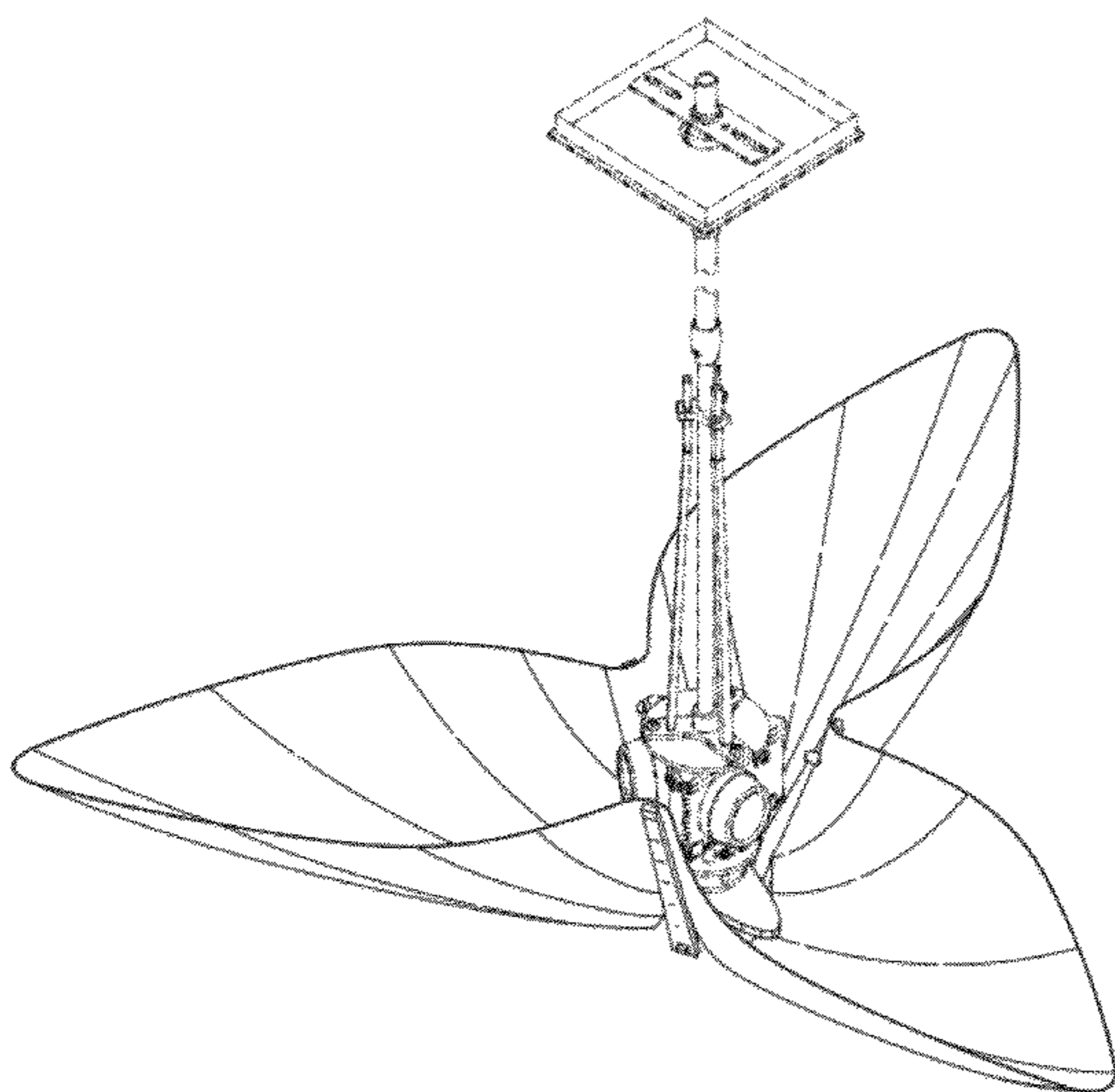
FIG. 12 is a right view thereof;

FIG. 13 is a top view thereof; and,

FIG. 14 is a bottom view thereof.

The broken lines shown on the drawings depict structural portions of the lamp that form no part of the claimed design.

**1 Claim, 14 Drawing Sheets**



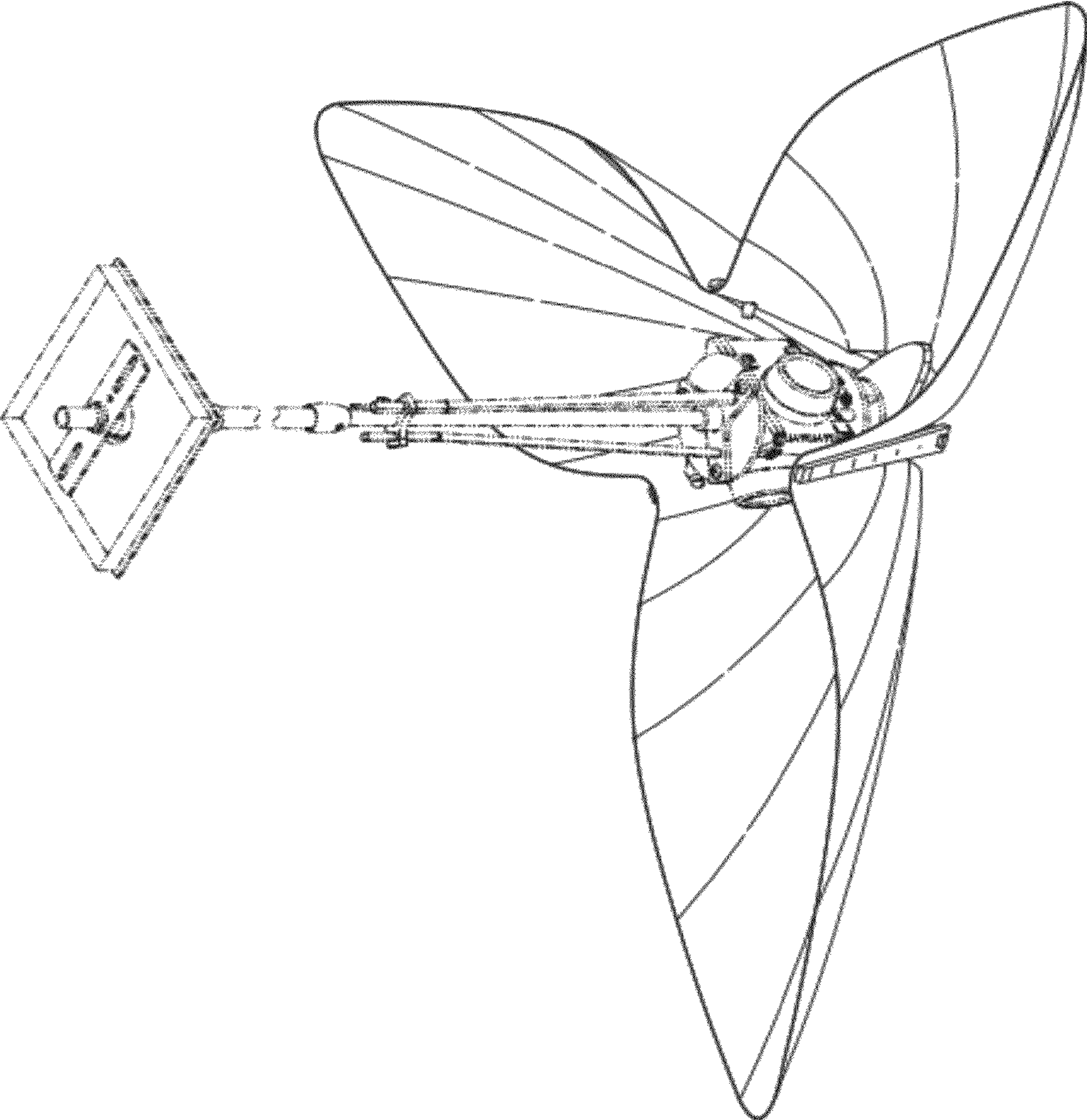


FIG. 1

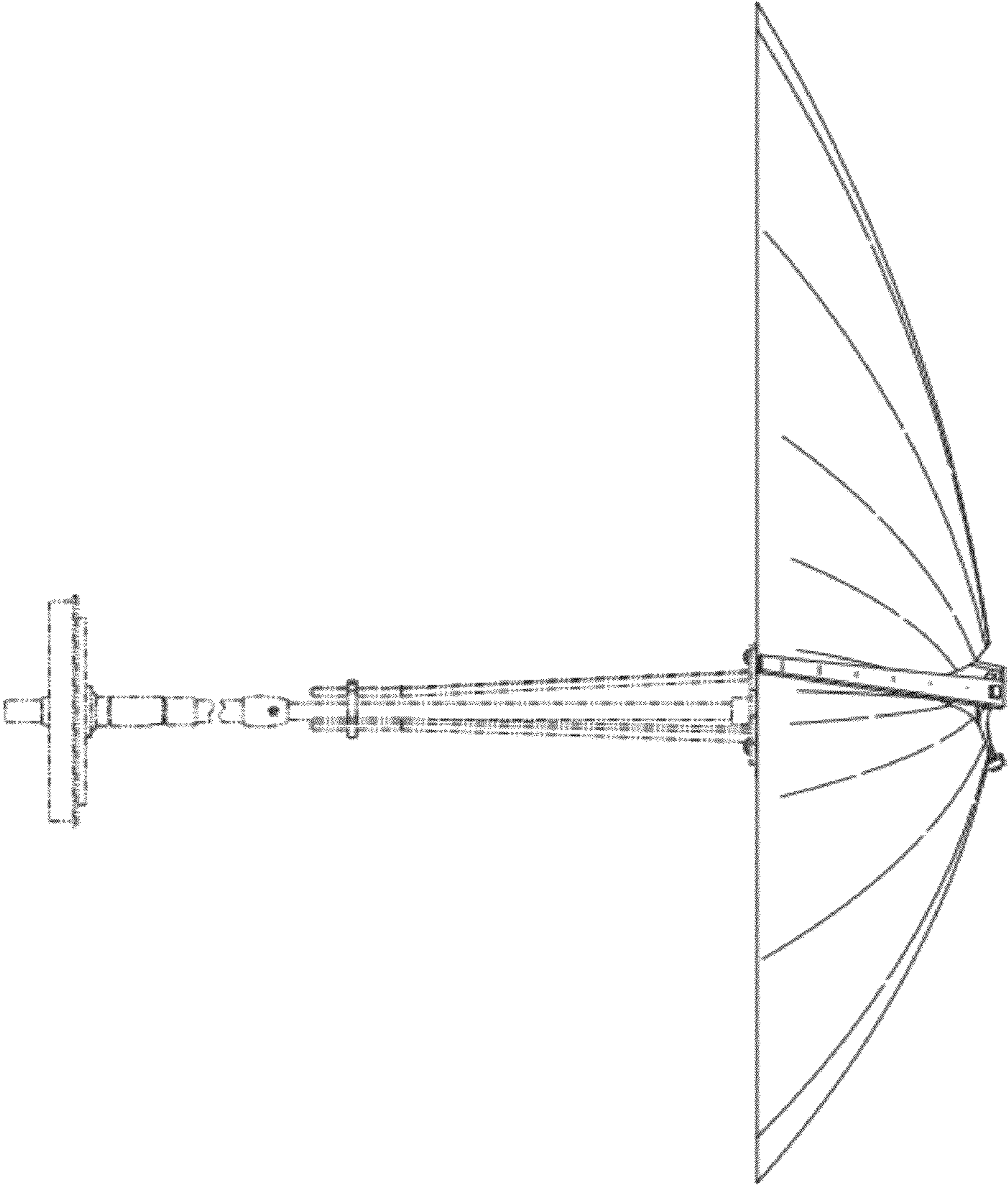


FIG. 2



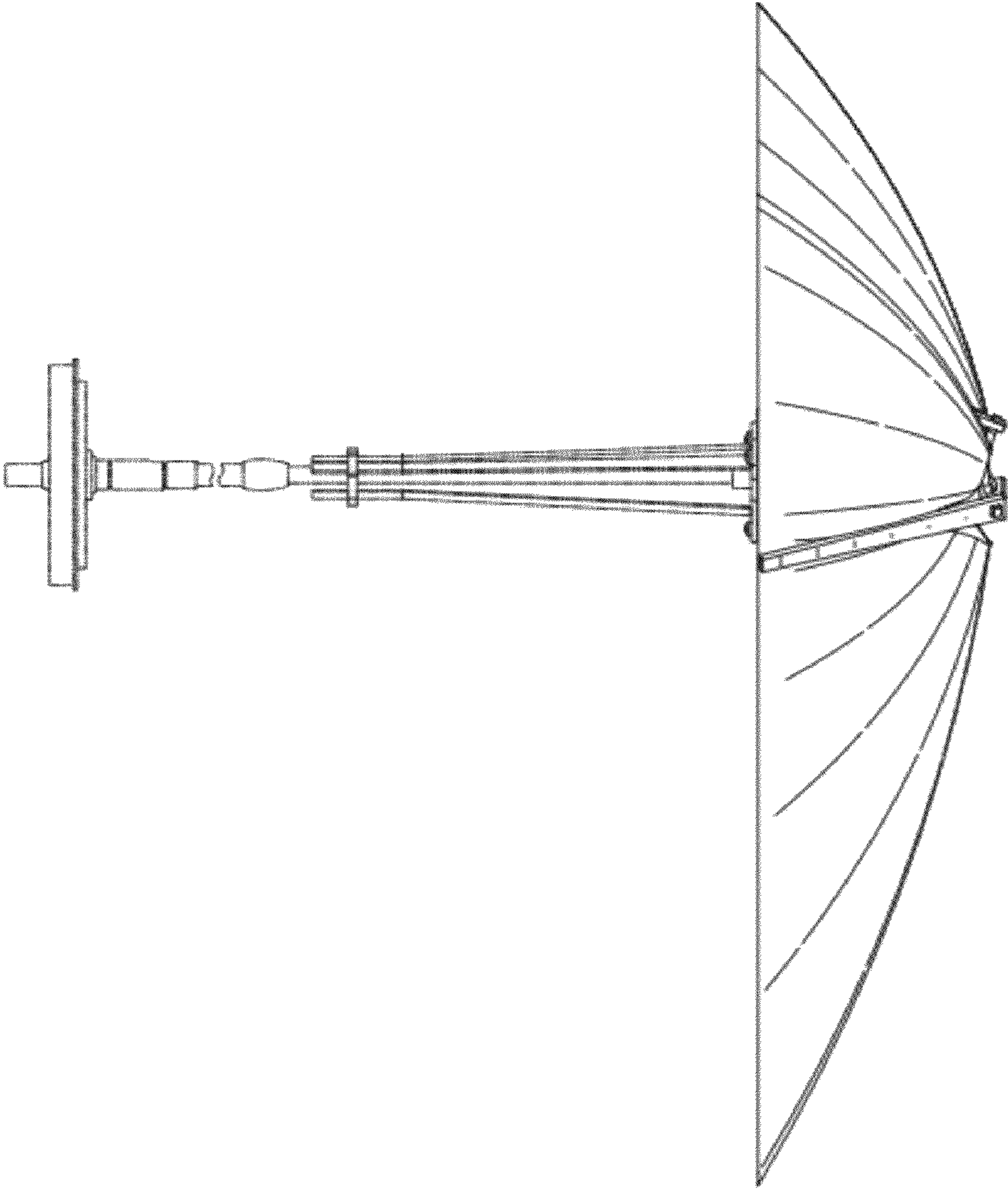


FIG. 3

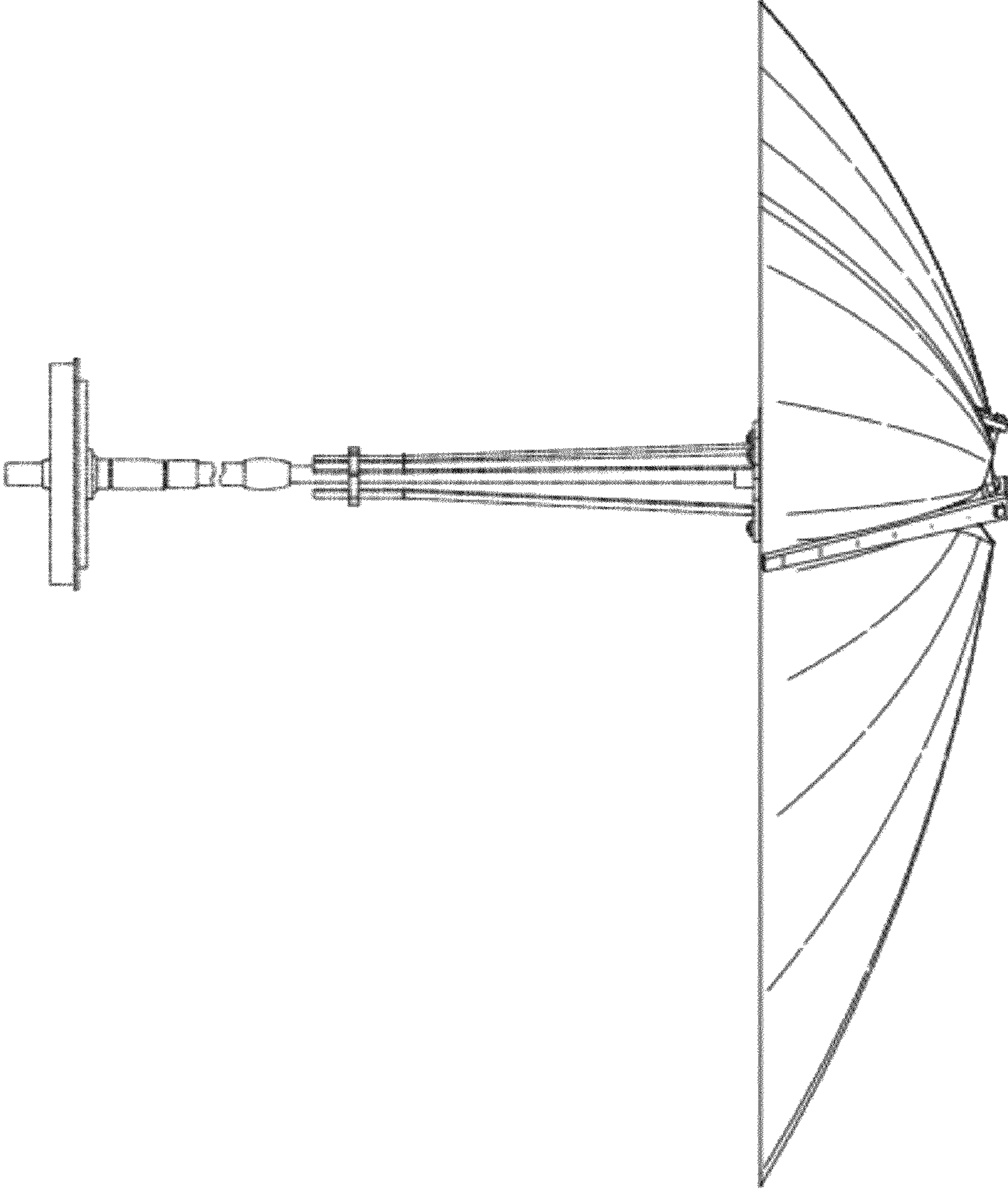


FIG. 4

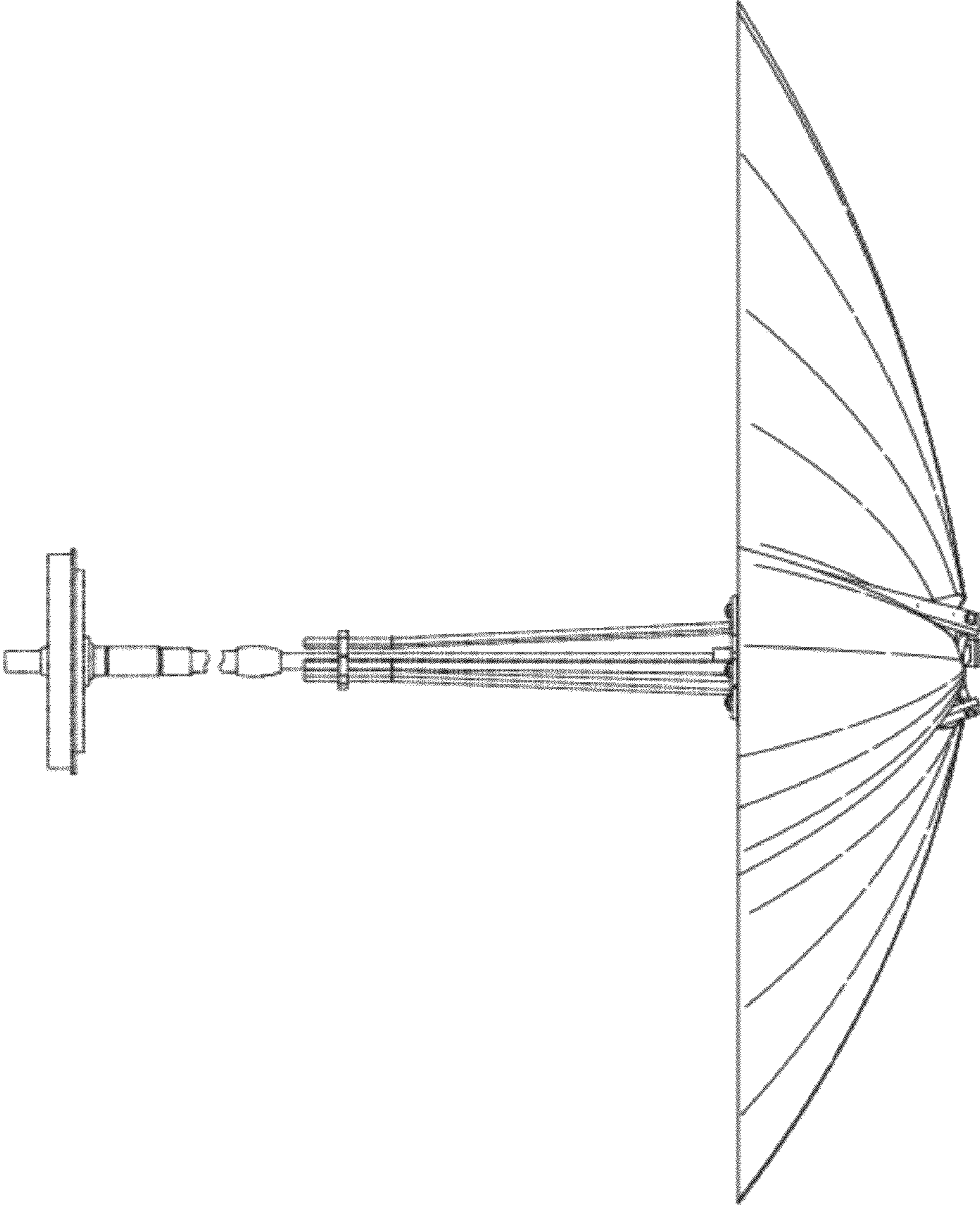


FIG. 5

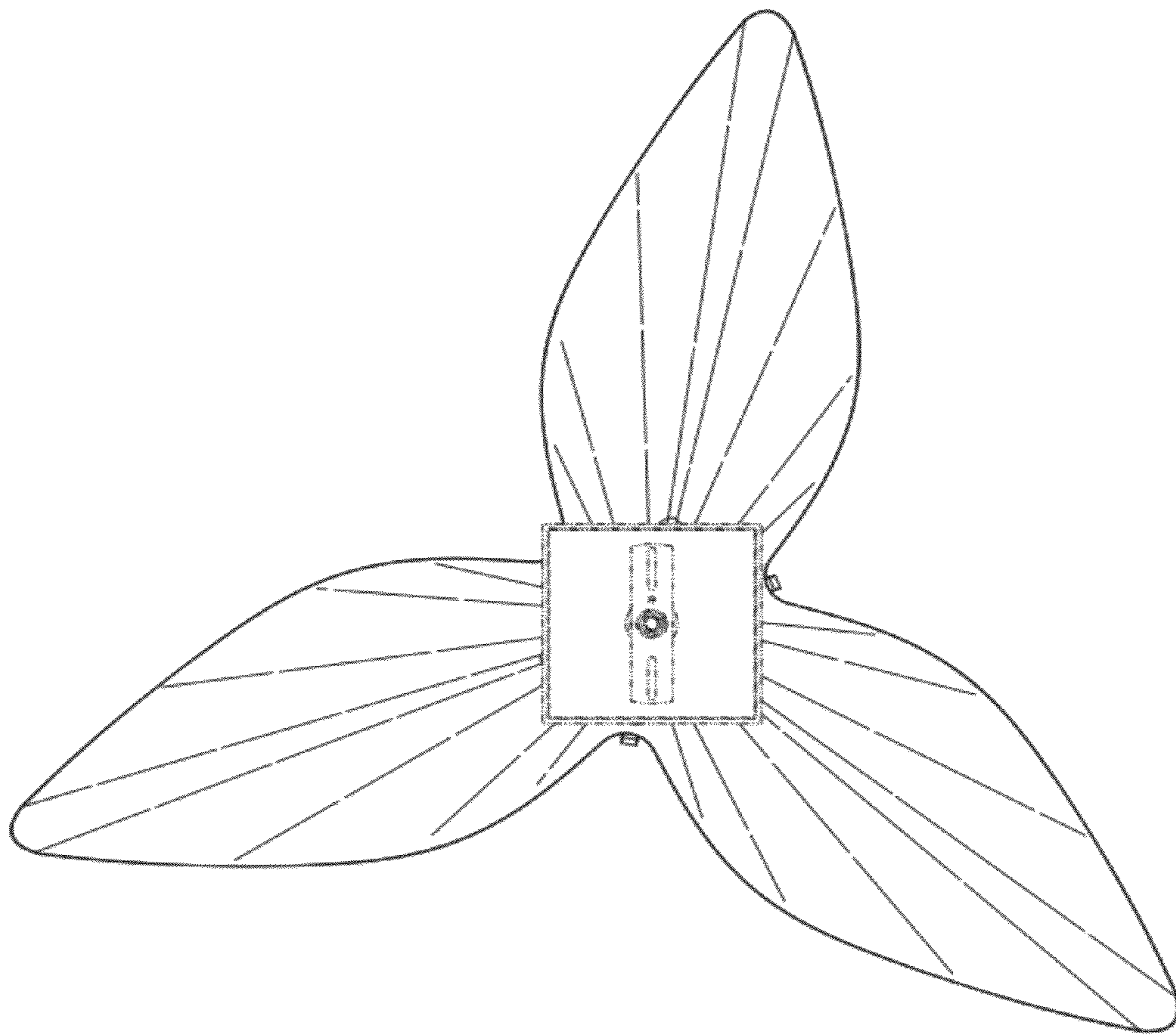


FIG. 6



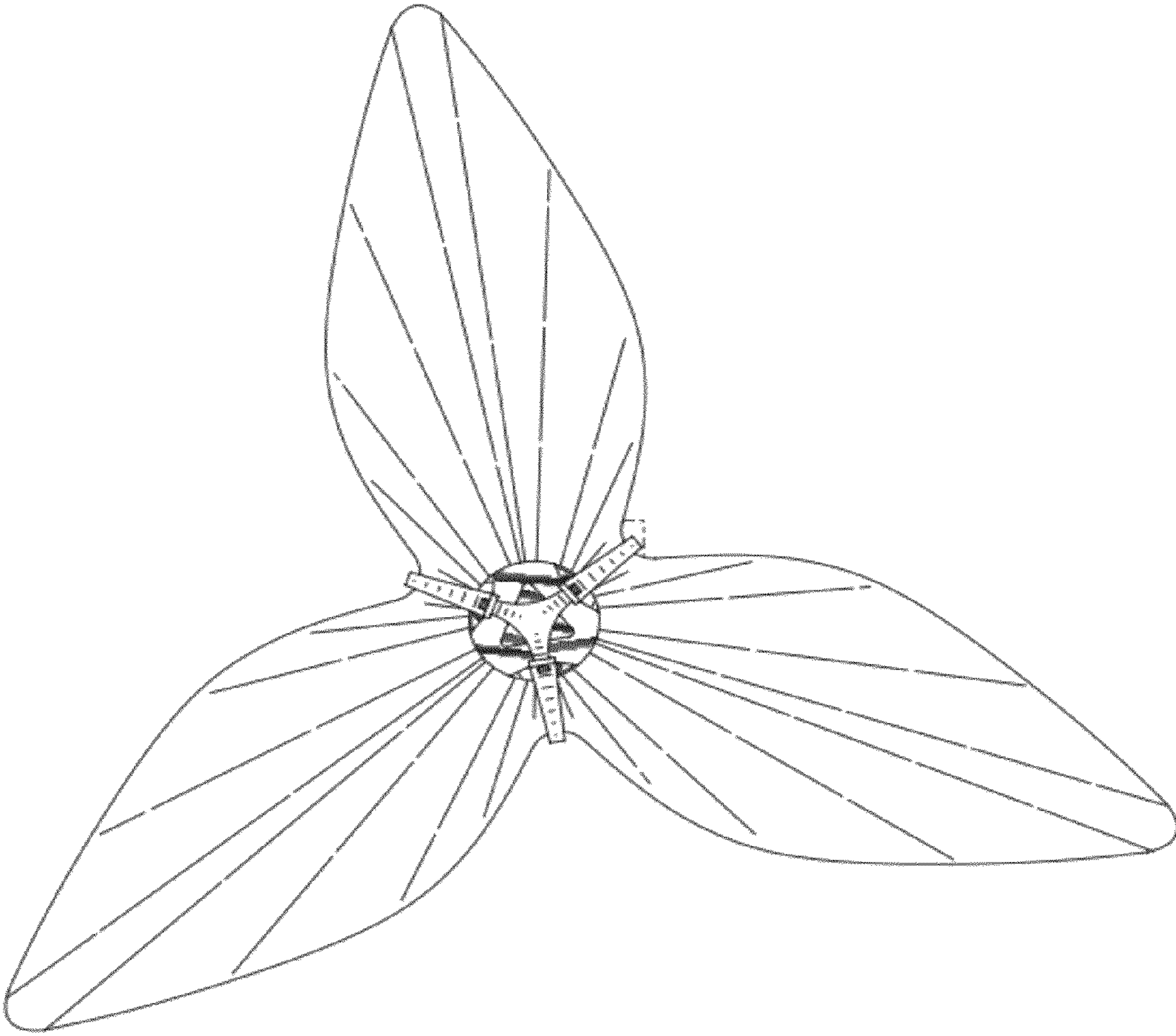


FIG. 7



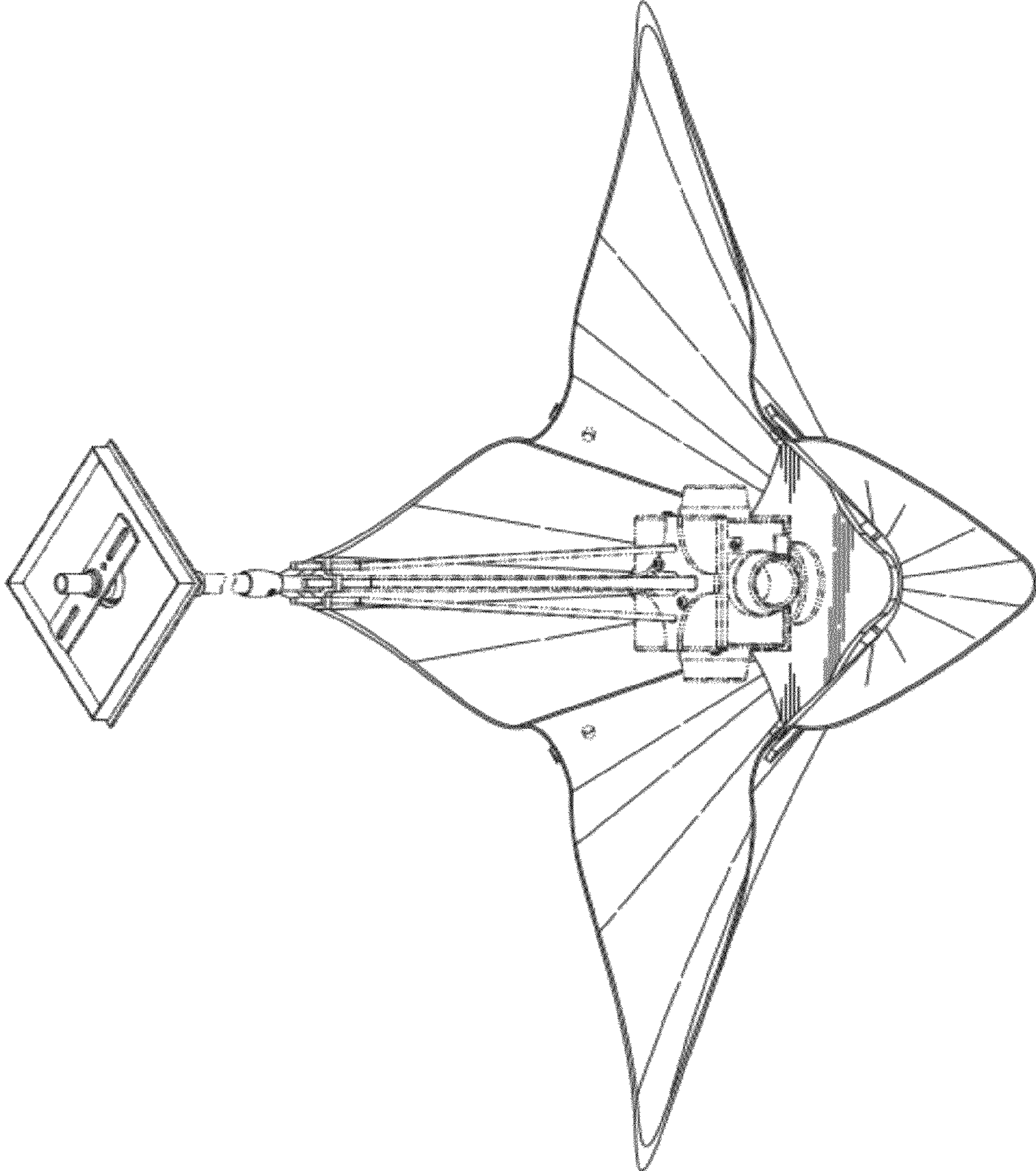


FIG. 8

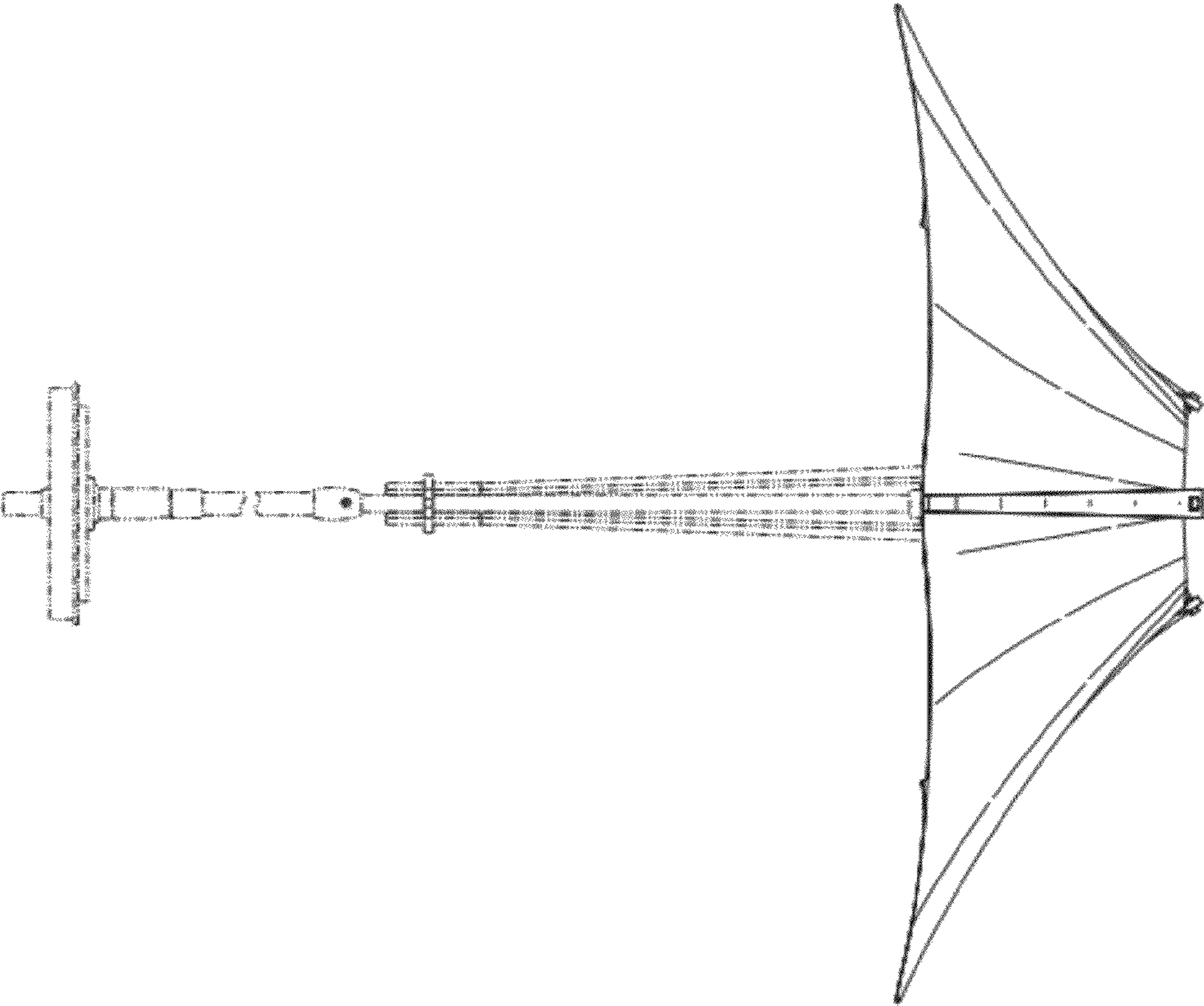


FIG. 9

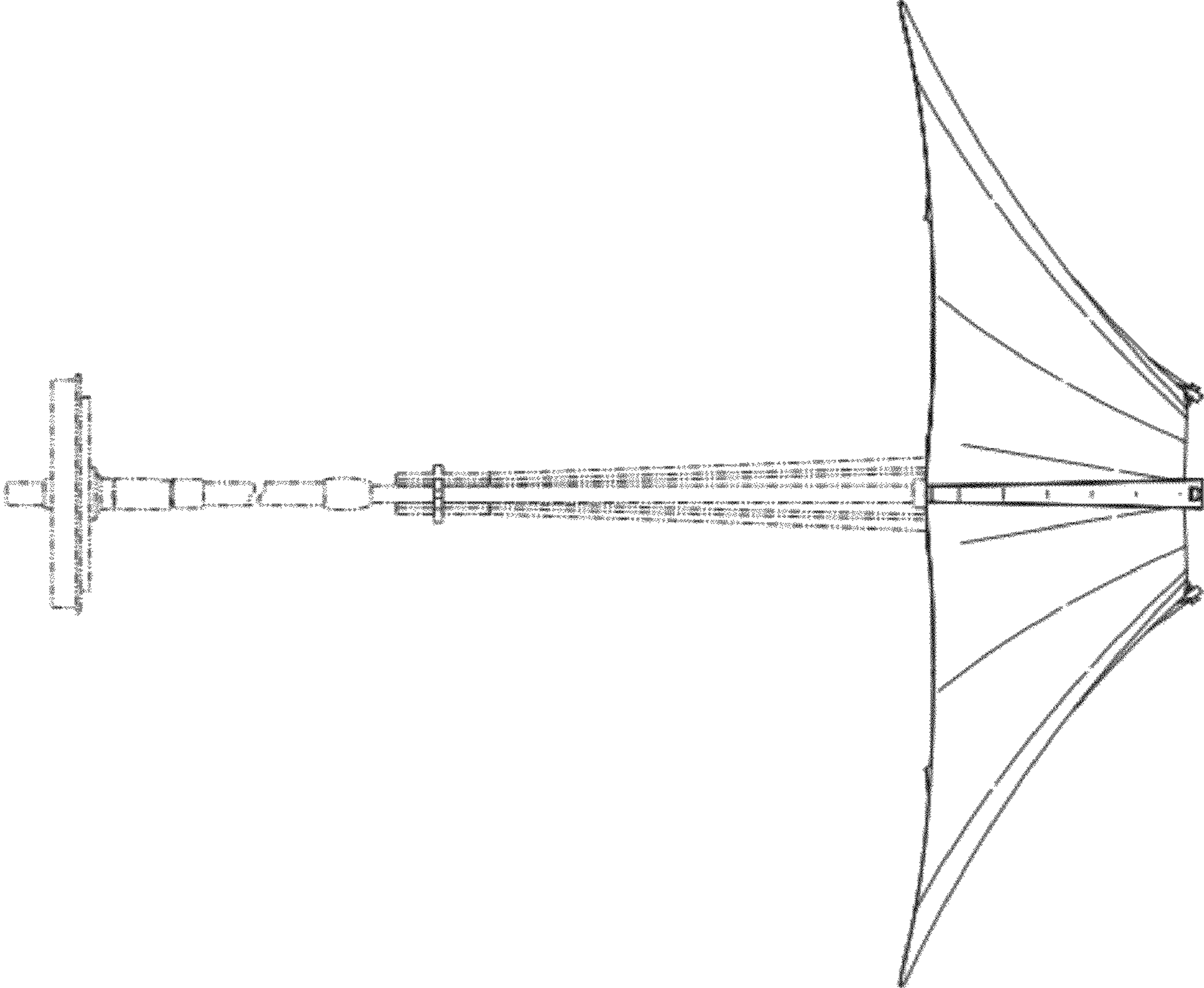


FIG. 10

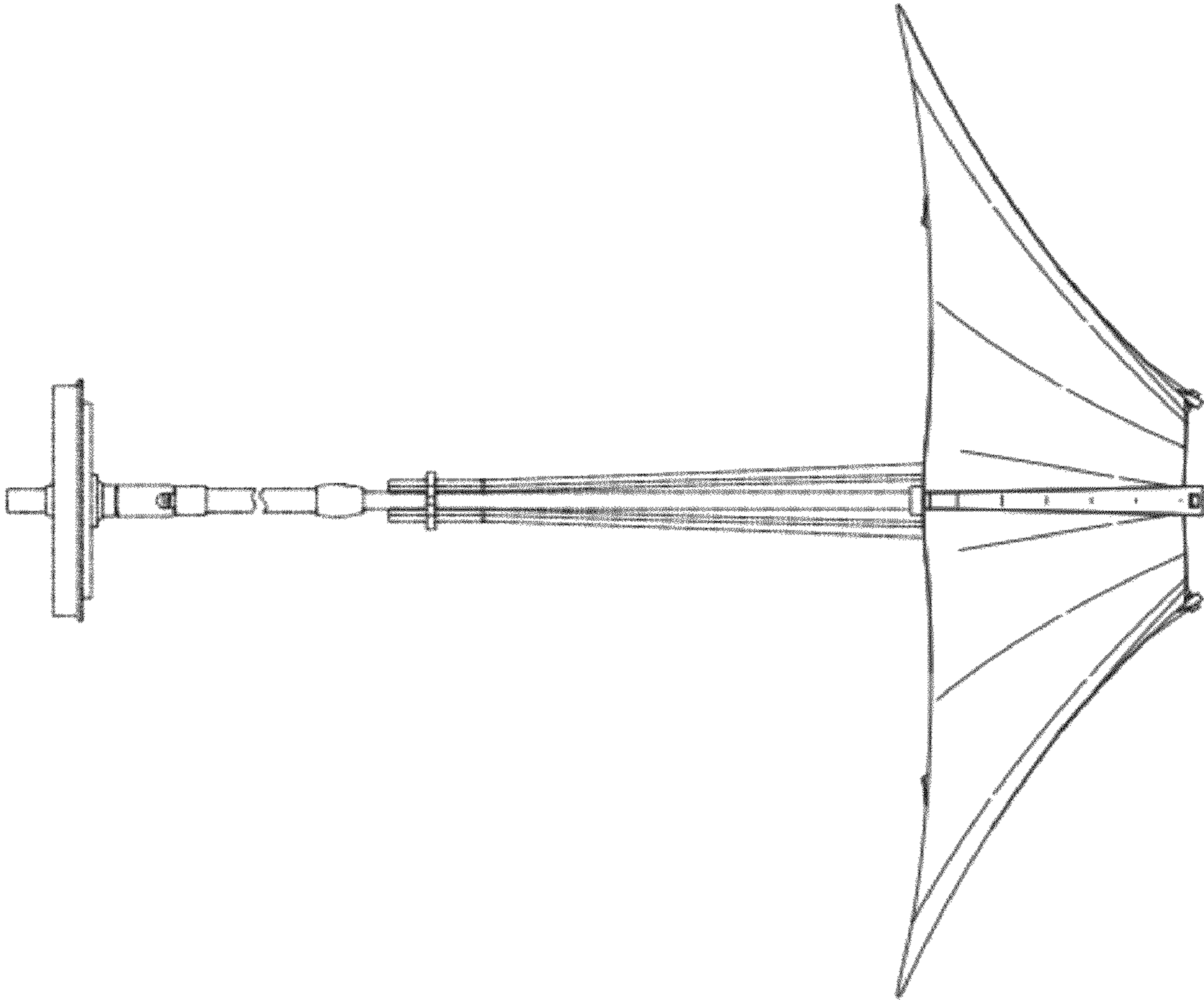


FIG. 11



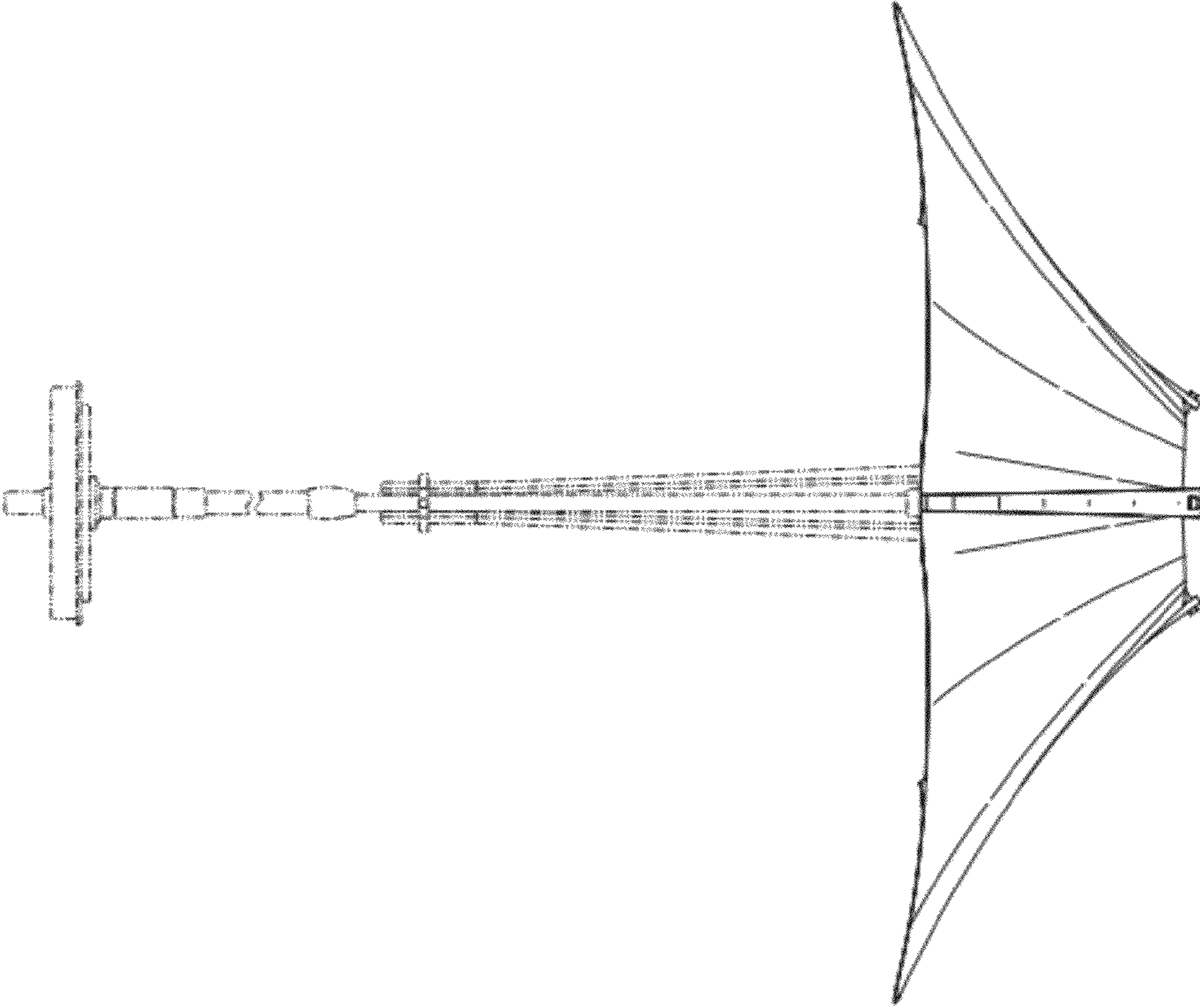


FIG. 12

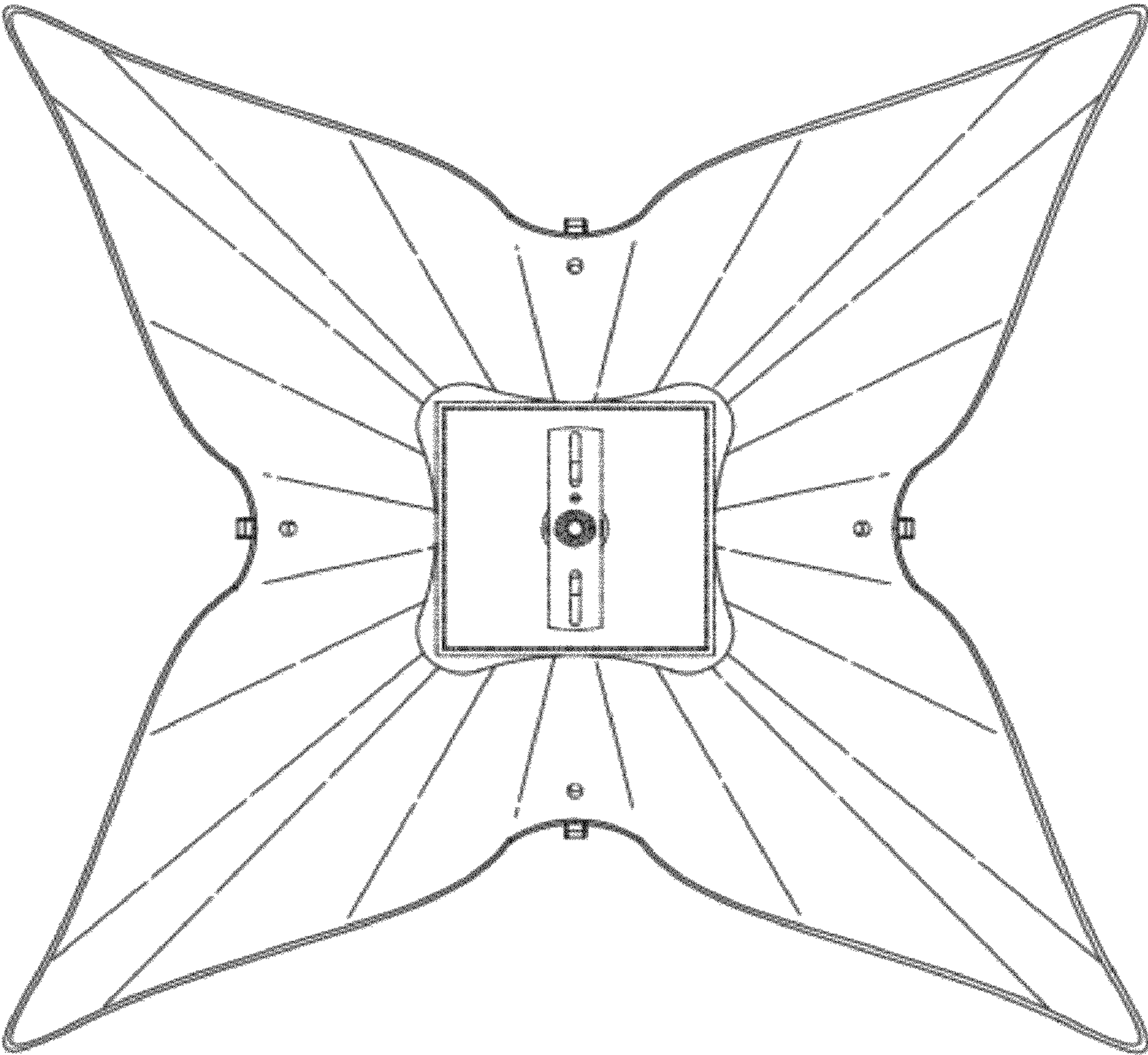


FIG. 13

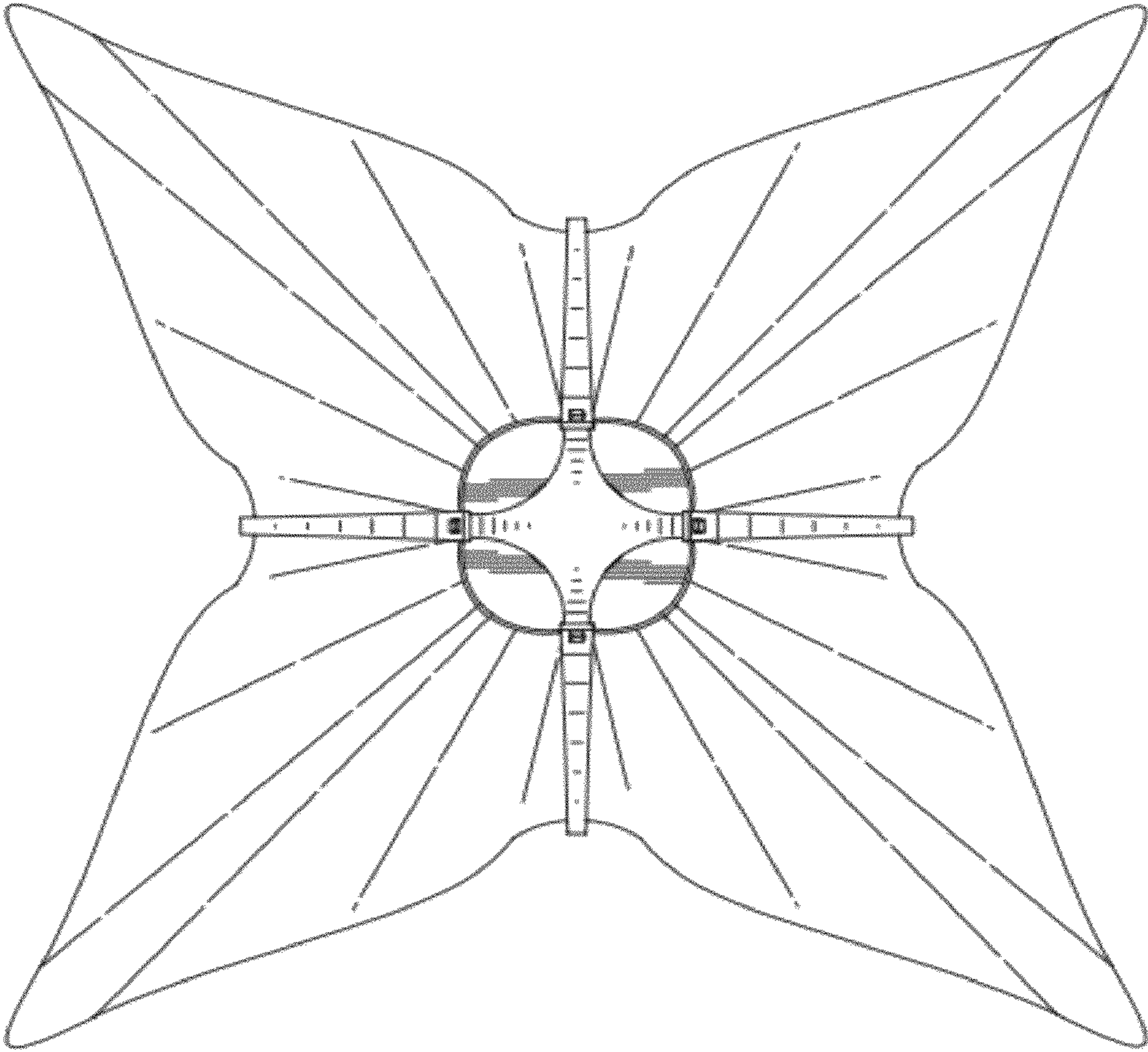


FIG. 14