



US00D660500S

(12) **United States Design Patent**
Martin

(10) **Patent No.:** **US D660,500 S**

(45) **Date of Patent:** **** May 22, 2012**

(54) **LAMP**

(75) **Inventor:** **David Martin**, Brandon, VT (US)

(73) **Assignee:** **Hubbardton Forge, LLC**, Castleton, VT (US)

(**) **Term:** **14 Years**

(21) **Appl. No.:** **29/401,261**

(22) **Filed:** **Sep. 9, 2011**

(51) **LOC (9) Cl.** **26-03**

(52) **U.S. Cl.** **D26/82; D26/88**

(58) **Field of Classification Search** D26/80-82,
D26/84, 86, 88, 90, 92, 128, 135, 136, 146,
D26/147; 362/147, 404-408

See application file for complete search history.

(56) **References Cited**

U.S. PATENT DOCUMENTS

| | | | |
|--------------|---------|--------------------|---------|
| D84,763 S * | 7/1931 | Strange | D26/88 |
| D135,698 S * | 5/1943 | Samit | D26/90 |
| D203,405 S * | 1/1966 | Crawford | D26/90 |
| D209,535 S * | 12/1967 | Gowing | D26/91 |
| D249,250 S * | 9/1978 | Peirish, Jr. | D26/128 |
| D285,977 S * | 9/1986 | De Pas et al. | D26/90 |

| | | | |
|--------------|--------|----------------|--------|
| D354,579 S * | 1/1995 | Chan | D26/88 |
| D562,493 S * | 2/2008 | Chen | D26/88 |
| D565,778 S * | 4/2008 | Pedersen | D26/84 |
| D574,547 S * | 8/2008 | Chandler | D26/88 |
| D592,796 S * | 5/2009 | Chandler | D26/90 |
| D595,446 S * | 6/2009 | Pedersen | D26/84 |
| D639,487 S * | 6/2011 | Baylar | D26/88 |

* cited by examiner

Primary Examiner — Clare E Heflin

(74) *Attorney, Agent, or Firm* — Bourque and Associates, PA

(57) **CLAIM**

The ornamental design for the lamp, as shown and described.

DESCRIPTION

FIG. 1 is a perspective view of the lamp according to the present invention;

FIG. 2 is a front view of the lamp; the back side being a mirror image thereof;

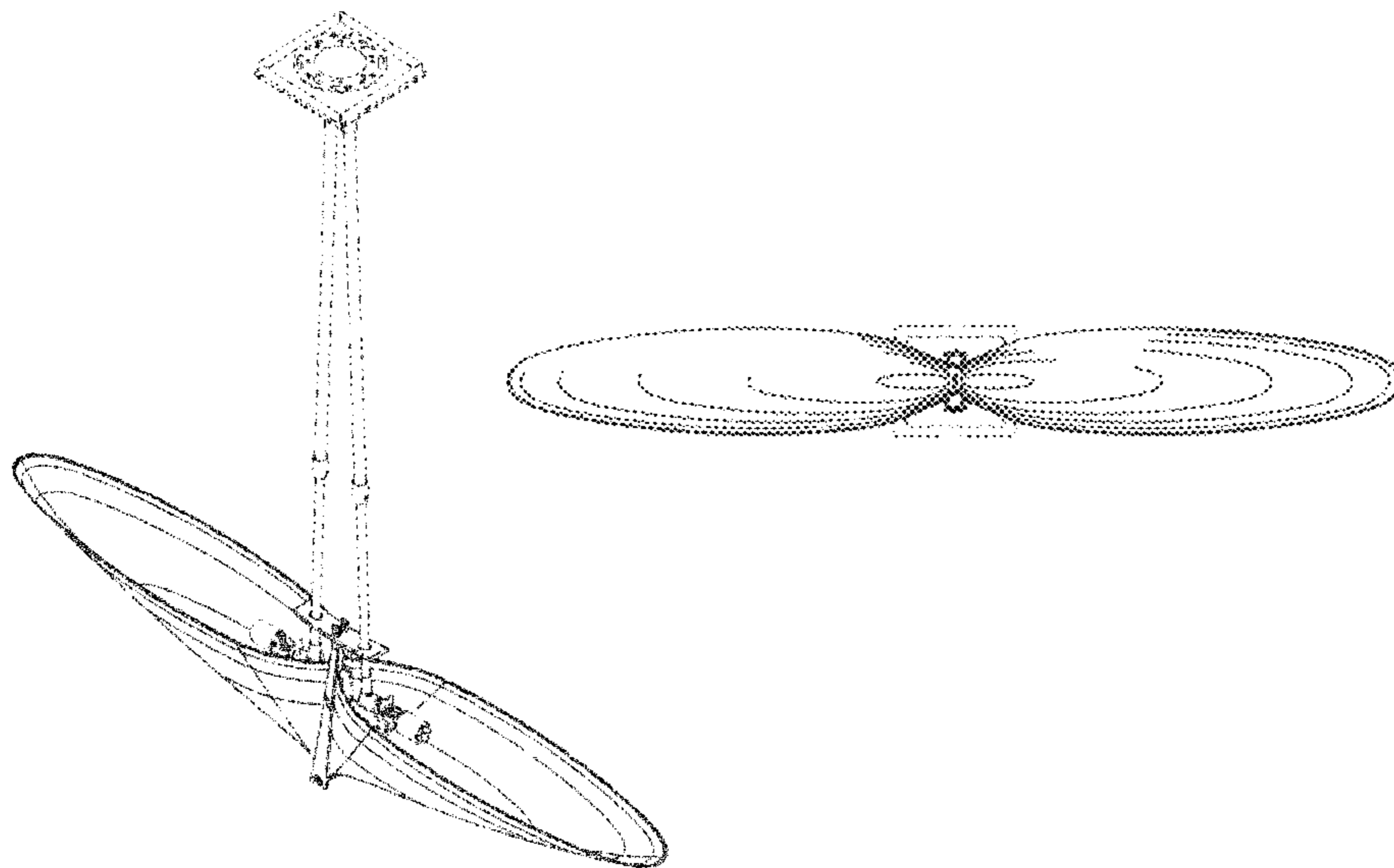
FIG. 3 is a left view of the lamp; the right side being a mirror image thereof;

FIG. 4 is a top view of the lamp thereof; and,

FIG. 5 is a bottom view of the lamp thereof.

The broken lines shown on the drawings depict structural portions of the lamp that form no part of the claimed design.

1 Claim, 4 Drawing Sheets



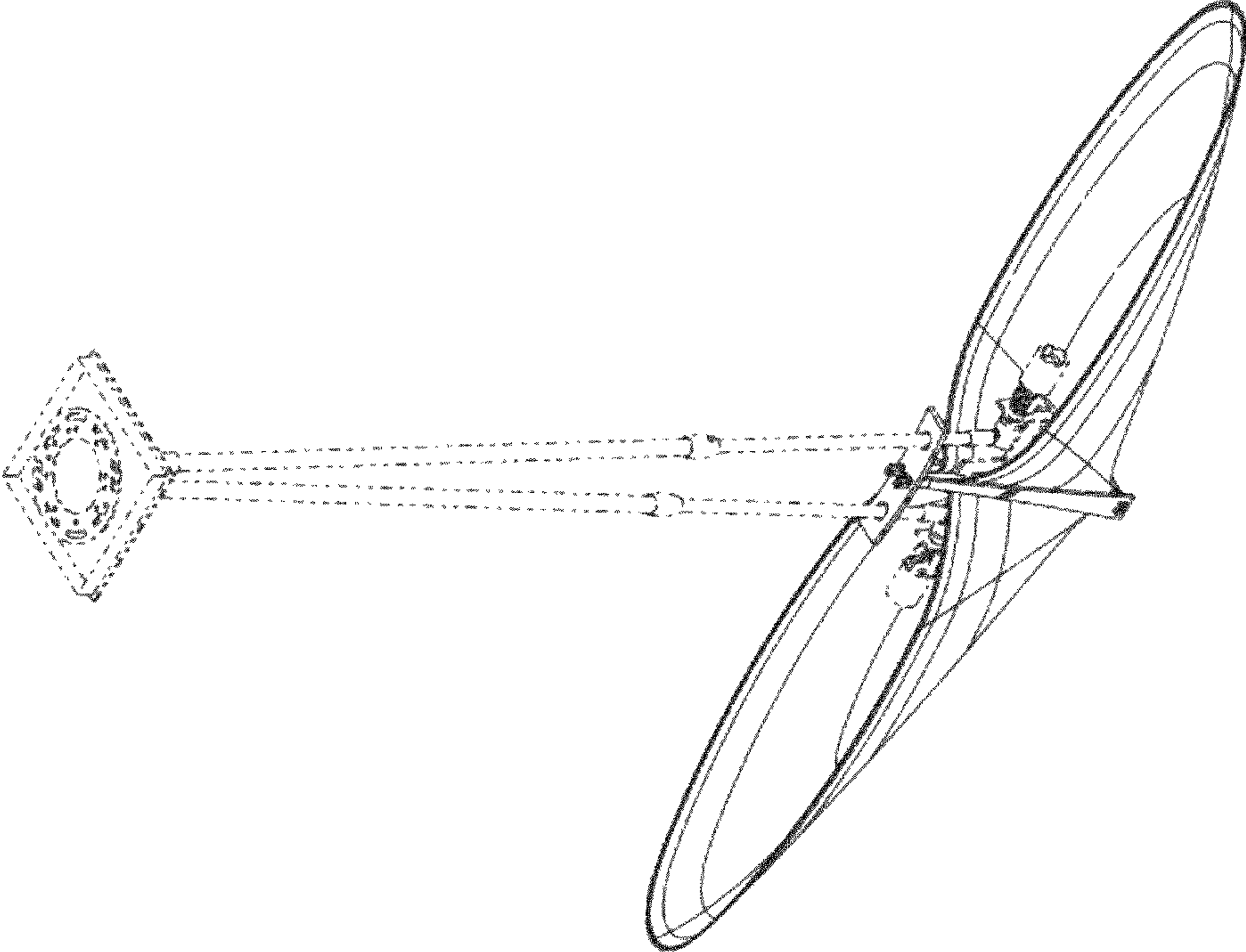


FIG. 1

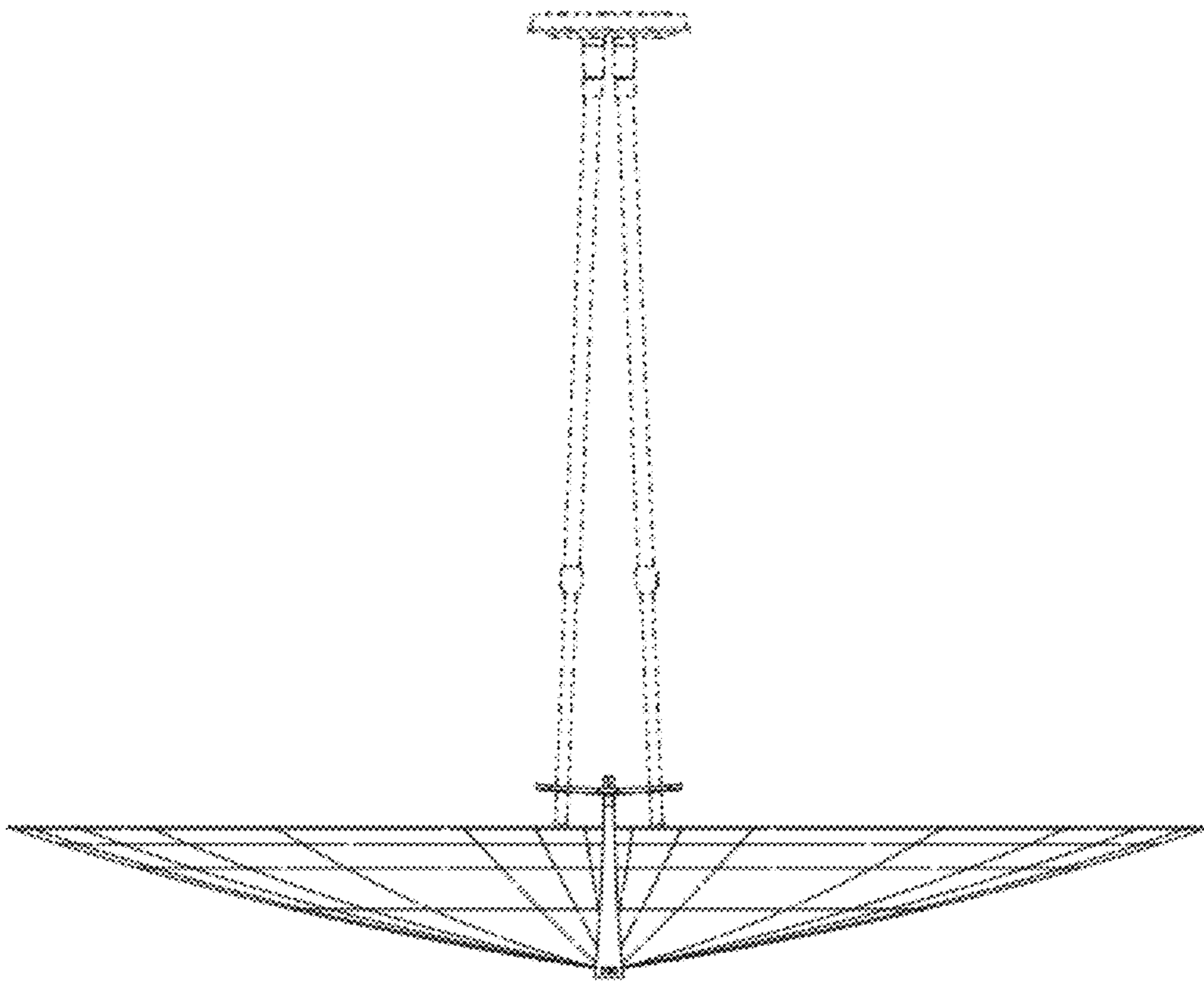


FIG. 2

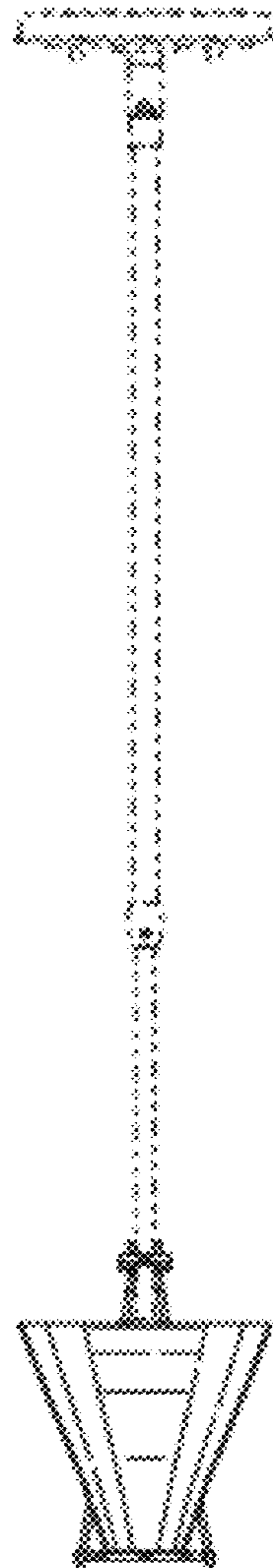


FIG. 3

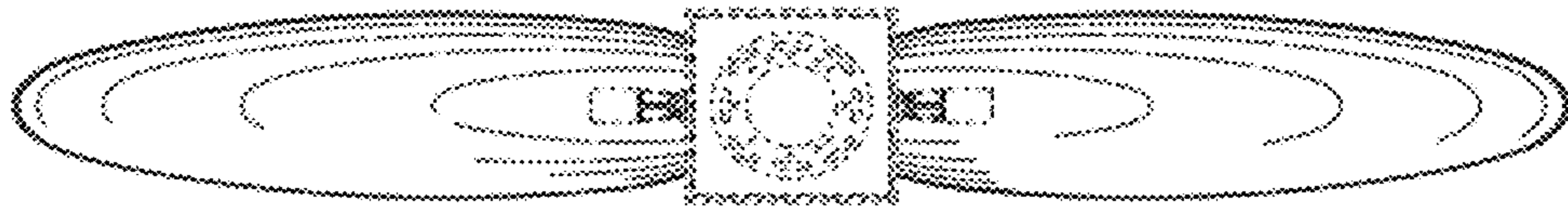


FIG. 4

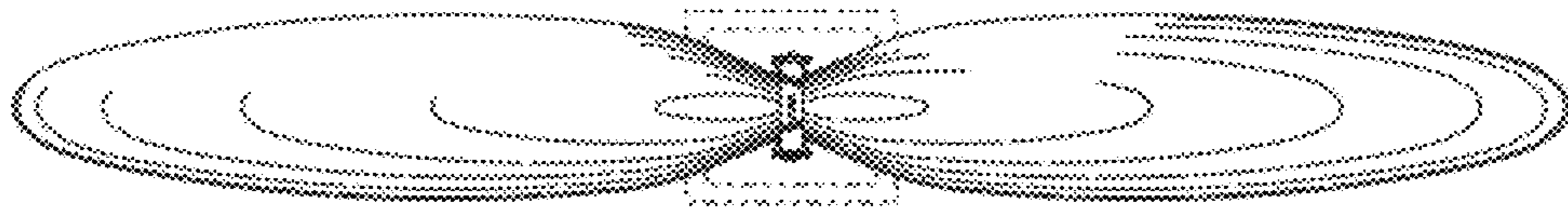


FIG. 5