



US00D660497S

(12) **United States Design Patent**
Chung et al.

(10) **Patent No.:** **US D660,497 S**

(45) **Date of Patent:** **** *May 22, 2012**

(54) **LIGHTING FIXTURE**

(75) Inventors: **Casey Chung**, Bloomington, IL (US);
Michael T. Thornton, Burr Ridge, IL (US);
Stephan Apetauer, Munich (DE);
Thomas Moeker, Munich (DE);
Burkhard Schlee, Munich (DE)

(73) Assignee: **Focal Point, L.L.C.**, Chicago, IL (US)

(*) Notice: This patent is subject to a terminal disclaimer.

(**) Term: **14 Years**

(21) Appl. No.: **29/360,815**

(22) Filed: **Apr. 30, 2010**

(51) **LOC (9) Cl.** **26-05**

(52) **U.S. Cl.** **D26/75**

(58) **Field of Classification Search** D26/75-85,
D26/88, 89, 72, 25, 3, 113, 118, 128, 141,
D26/142; 362/555, 14, 148, 150, 217.01,
362/217.05, 217.06, 217.07, 217.08, 217.09,
362/217.1, 217.12, 217.13, 260, 296.01,
362/404

See application file for complete search history.

(56) **References Cited**

U.S. PATENT DOCUMENTS

D123,049 S *	10/1940	Doane	D26/76
D481,483 S *	10/2003	Waugh et al.	D26/76
D496,121 S *	9/2004	Santoro	D26/74
D545,481 S *	6/2007	Mayfield et al.	D26/118
D545,482 S *	6/2007	Mayfield et al.	D26/118
D545,483 S *	6/2007	Mayfield et al.	D26/118
7,229,192 B2 *	6/2007	Mayfield et al.	362/223
D545,992 S *	7/2007	Mayfield et al.	D26/118
D561,930 S *	2/2008	Hukle et al.	D26/120
D580,583 S *	11/2008	Pfund	D26/76
D602,626 S *	10/2009	Santoro et al.	D26/76
D608,929 S *	1/2010	Castelli	D26/76
D610,294 S *	2/2010	Theusch	D26/76
2007/0211457 A1 *	9/2007	Mayfield et al.	362/223

OTHER PUBLICATIONS

Énergie, BLUemotion Catalog.
Axis Lighting, DIA with VL Optic Catalog, 2009.
Pure FX recessed light, Ledalite, <http://ledalite.com/products/pure-fx/recessed>, retrieved from the internet Jul. 29, 2010.
Nol Round light, Mark Architectural Lighting, <http://www.marklighting.com/product/detail/Nol/Nol%20Square.aspx>, retrieved from the internet Jul. 29, 2010.
Zumtobel Lighting Ltd., Claris II Catalog, Jun. 2007.

* cited by examiner

Primary Examiner — Angela J Lee

(74) *Attorney, Agent, or Firm* — Banner & Witcoff, Ltd.

(57) **CLAIM**

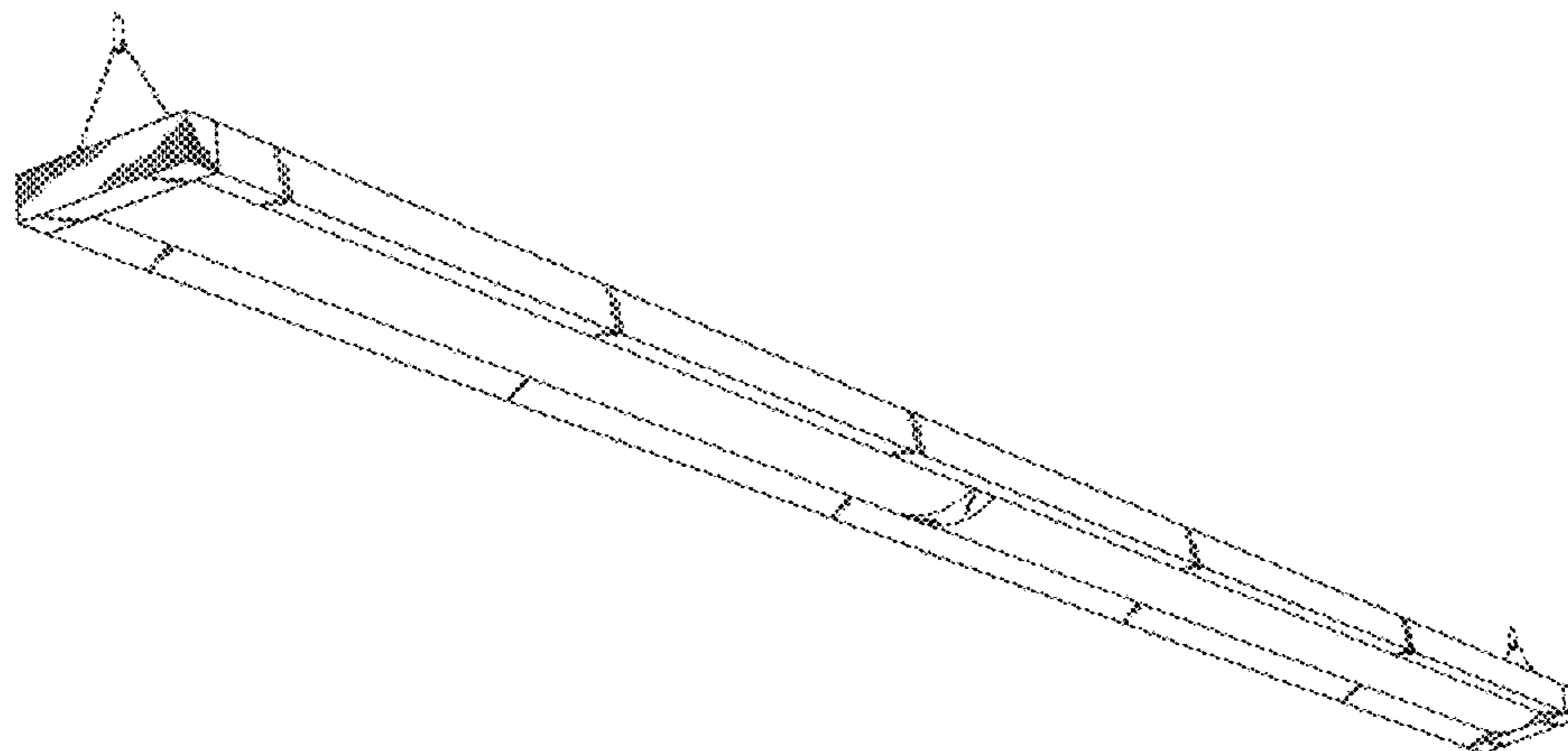
The ornamental design for a lighting fixture, as shown and described.

DESCRIPTION

FIG. 1 is a bottom, front, right perspective view of a lighting fixture showing our new design;
FIG. 2 is a top view thereof;
FIG. 3 is a bottom view thereof;
FIG. 4 is a right view thereof;
FIG. 5 is a left view thereof;
FIG. 6 is a front view thereof;
FIG. 7 is a rear view thereof; and,
FIG. 8 is a top, front, right perspective view thereof.

The uneven-length broken lines represent unclaimed boundaries of the claimed design. The unshaded surfaces designated by the arrows and letter "A" in FIG. 3 forms no part of the claimed design except that the edges of the surface represent claimed boundaries of the design. The even-length broken lines showing the remainder of the lighting fixture are for illustrative purposes only and form no part of the claimed design. The arrow and letter "A" in FIG. 3 forms no part of the claimed design.

1 Claim, 4 Drawing Sheets



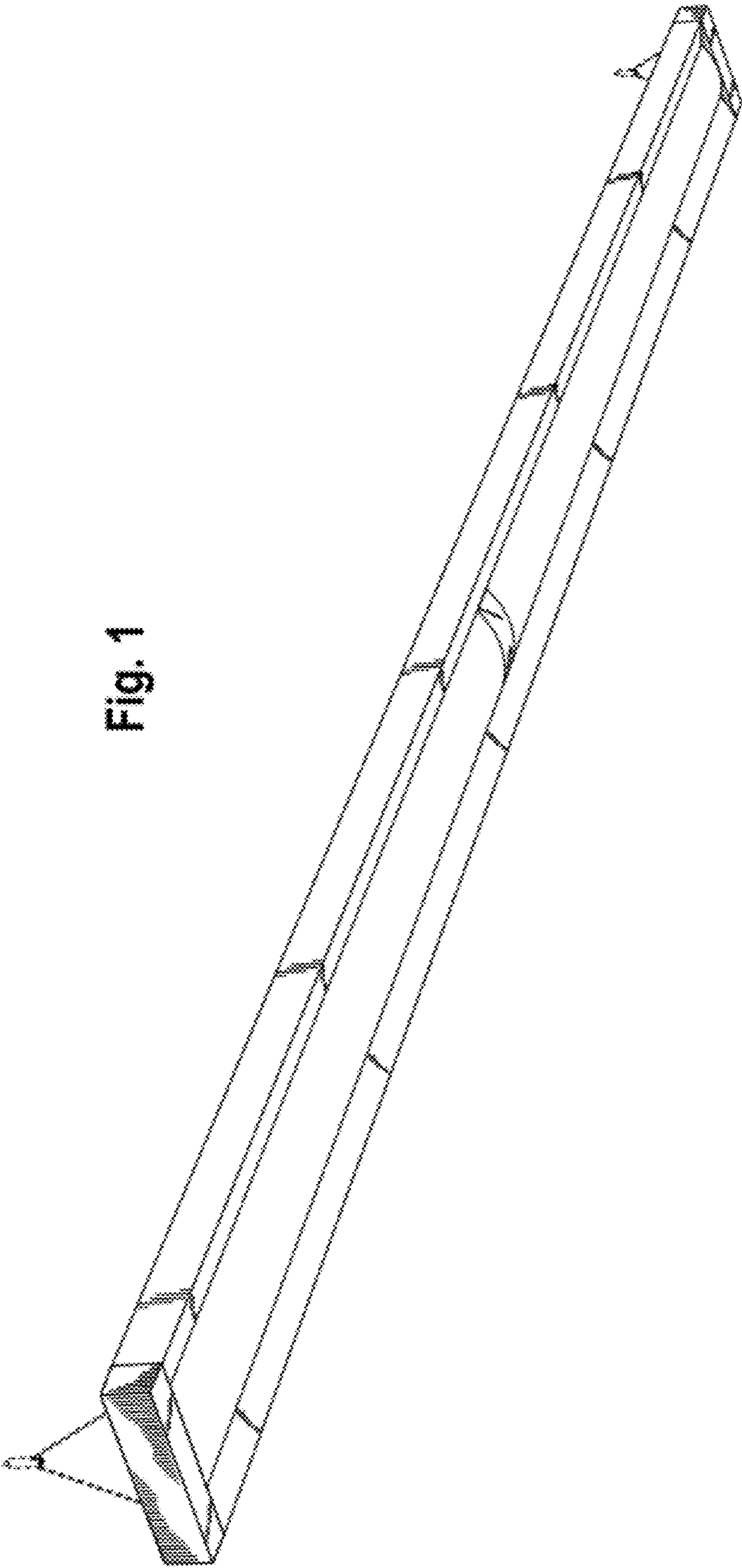


Fig. 1

Fig. 2

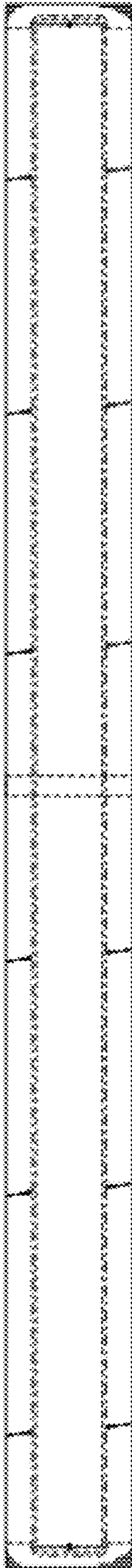
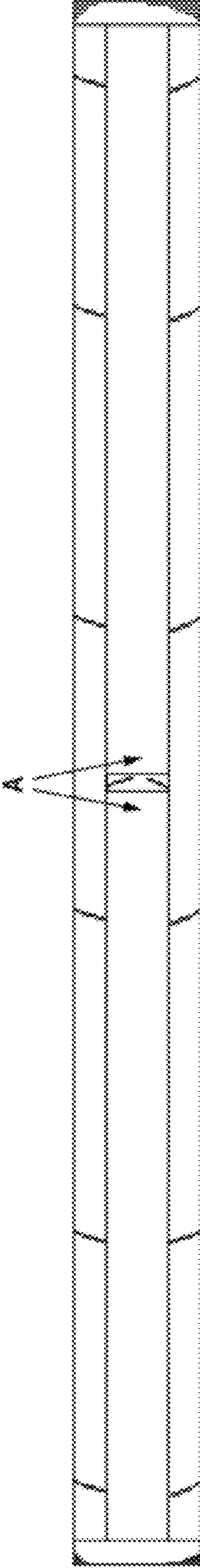


Fig. 3



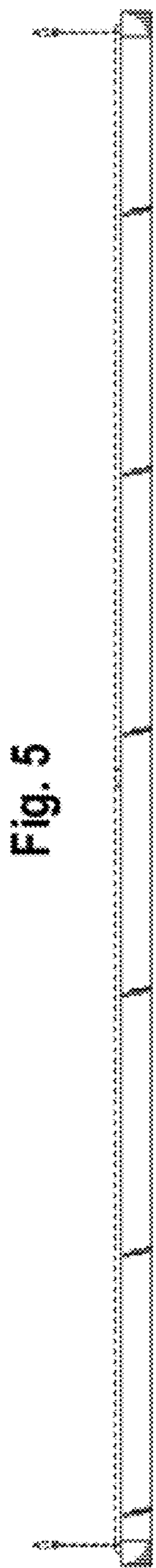
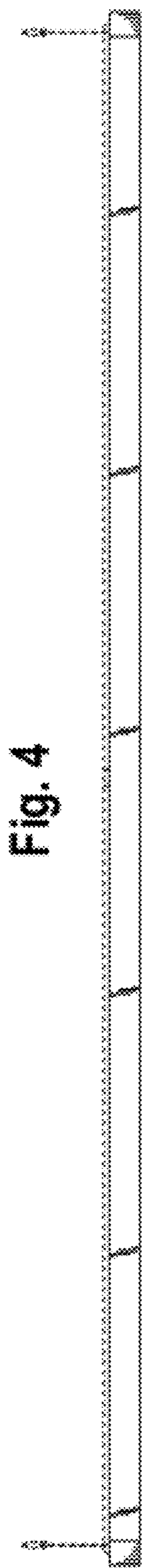


Fig. 6

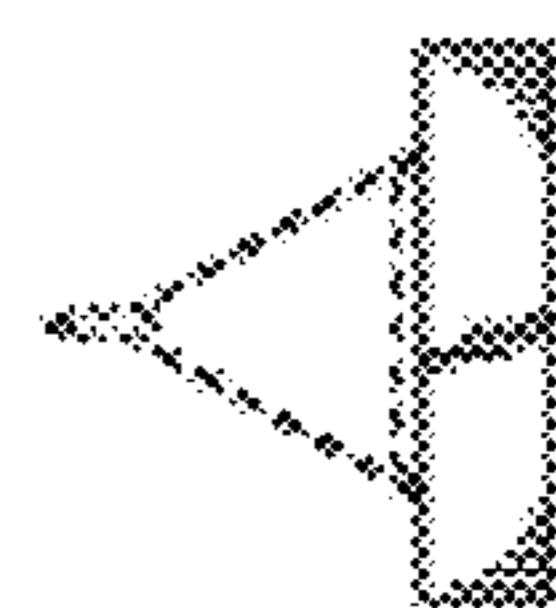
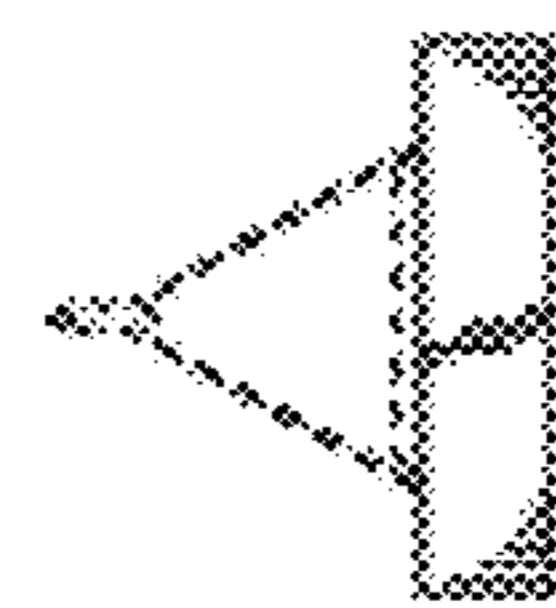


Fig. 7



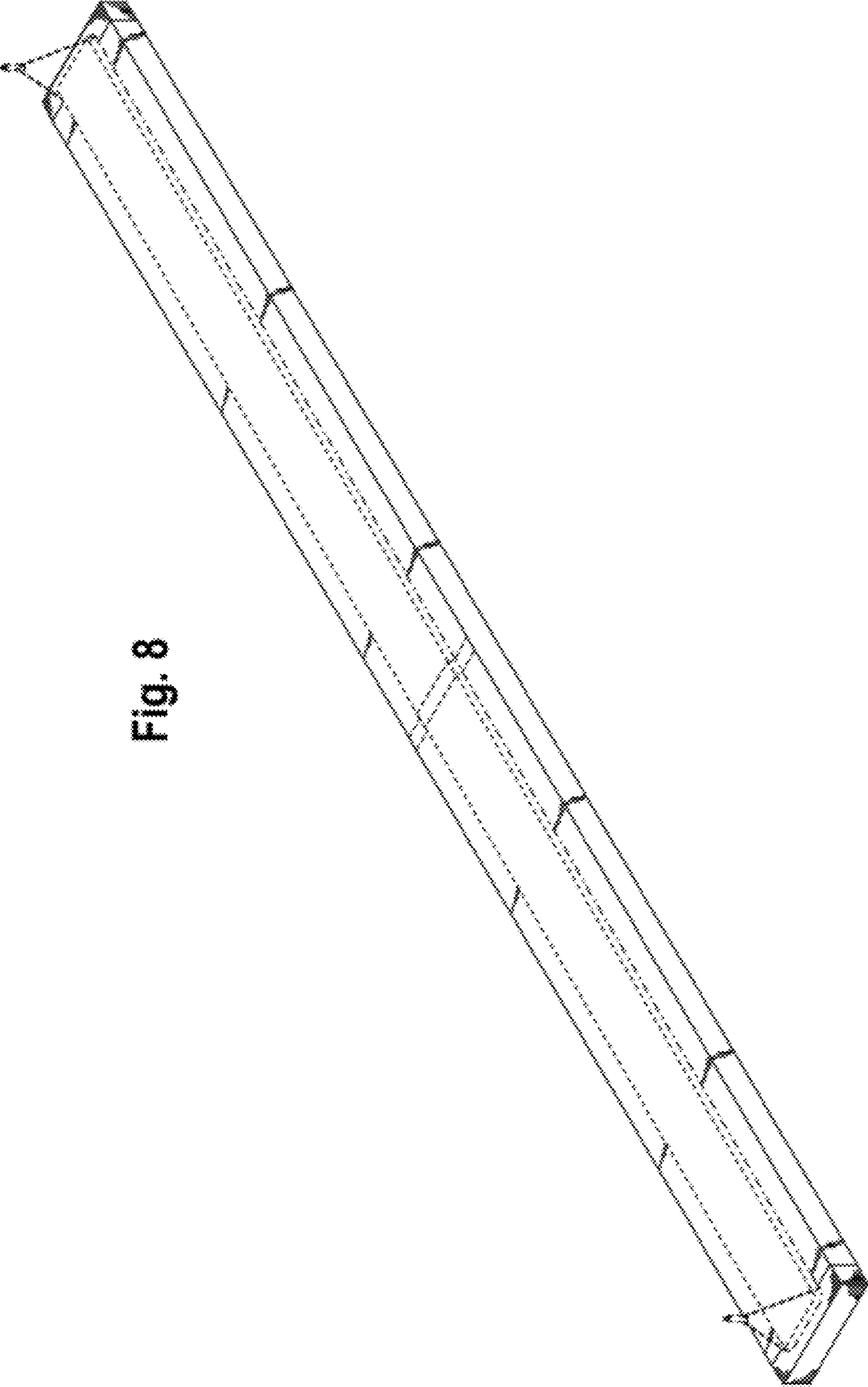


Fig. 8