



US00D660494S

(12) **United States Design Patent**  
**Wang et al.**

(10) **Patent No.:** **US D660,494 S**

(45) **Date of Patent:** **\*\* May 22, 2012**

(54) **ROADWAY LAMP**

(75) Inventors: **Jiang Wang**, Shanghai (CN); **Yong Zhao**, Shanghai (CN); **Cuijuan Zhou**, Shanghai (CN)

(73) Assignee: **General Electric Company**, Schenectady, NY (US)

(\*\*) Term: **14 Years**

(21) Appl. No.: **29/389,420**

(22) Filed: **Apr. 12, 2011**

(30) **Foreign Application Priority Data**

Oct. 12, 2010 (CN) ..... 2010 3 0552772

(51) **LOC (9) Cl.** ..... **26-05**

(52) **U.S. Cl.** ..... **D26/71**

(58) **Field of Classification Search** ..... D26/67-71,  
D26/92; 362/102, 120, 183, 249.02, 431  
See application file for complete search history.

(56) **References Cited**

**U.S. PATENT DOCUMENTS**

2,916,609 A \* 12/1959 Freier et al. .... 362/374  
(Continued)

*Primary Examiner* — Clare E Hefflin

(74) *Attorney, Agent, or Firm* — GE Global Patent Operation; Peter T. DiMauro

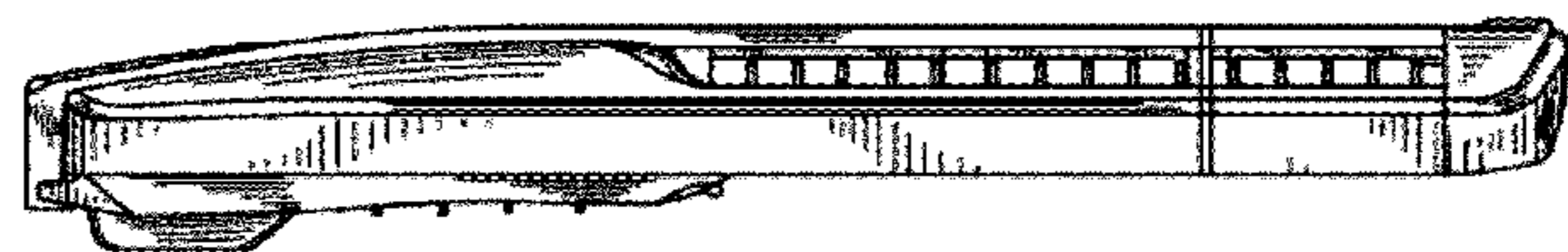
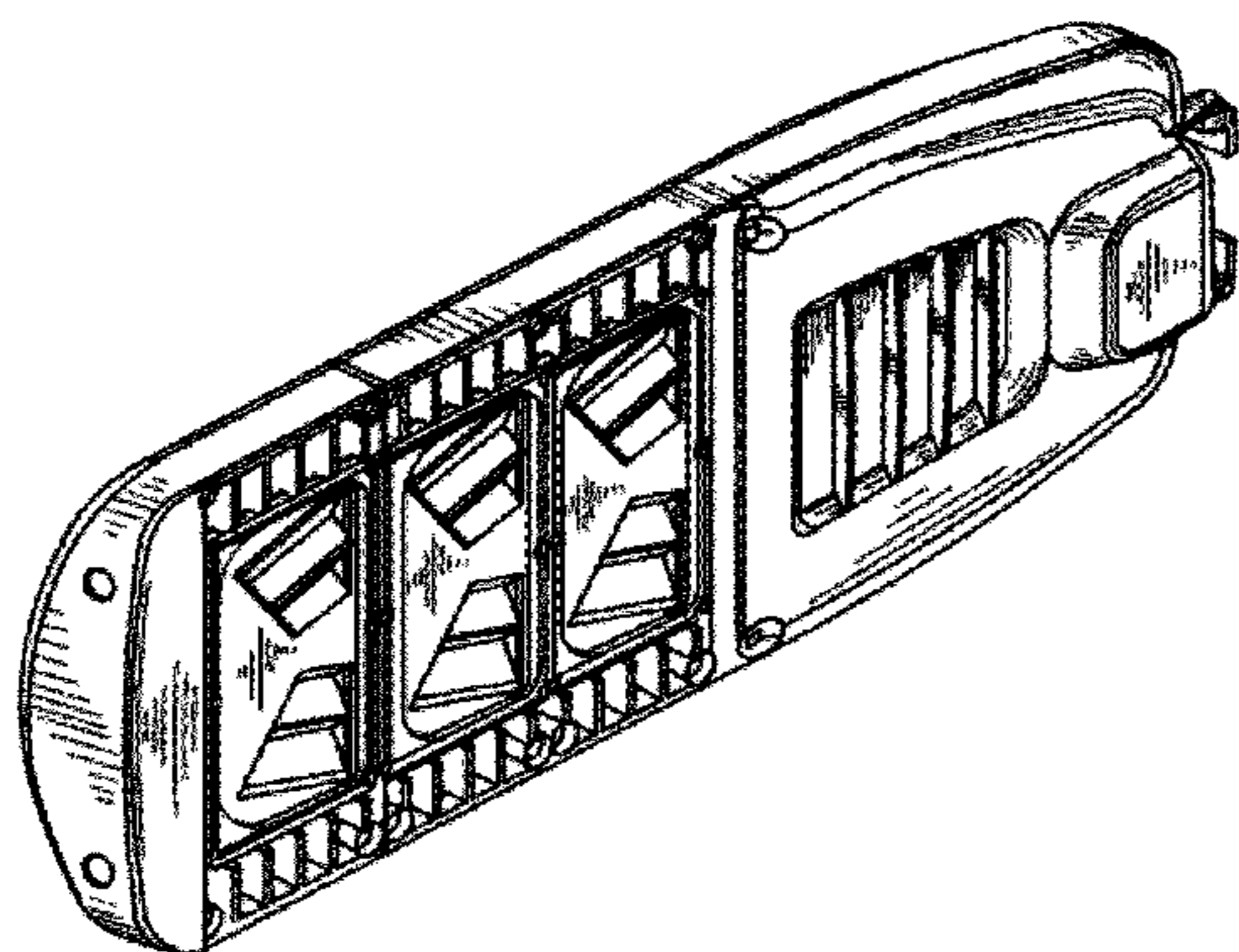
(57) **CLAIM**

We claim the ornamental design for a roadway lamp, as shown and described.

**DESCRIPTION**

FIG. 1 is a perspective view of a roadway lamp of a first embodiment;  
FIG. 2 is a top view of the design of FIG. 1;  
FIG. 3 is a front view of the design of FIG. 1, the rear being a mirror image thereof;  
FIG. 4 is a bottom view of the design of FIG. 1;  
FIG. 5 is a left side view of the design of FIG. 1;  
FIG. 6 is a right side view of the design of FIG. 1;  
FIG. 7 is a perspective view of a roadway lamp of a second embodiment;  
FIG. 8 is a top view of the design of FIG. 7;  
FIG. 9 is a front view of the design of FIG. 7, the rear being a mirror image thereof;  
FIG. 10 is a bottom view of the design of FIG. 7;  
FIG. 11 is a left side view of the design of FIG. 7;  
FIG. 12 is a right side view of the design of FIG. 7;  
FIG. 13 is a perspective view of a roadway lamp of a third embodiment;  
FIG. 14 is a top view of the design of FIG. 13;  
FIG. 15 is a front view of the design of FIG. 13, the rear being a mirror image thereof;  
FIG. 16 is a bottom view of the design of FIG. 13;  
FIG. 17 is a left side view of the design of FIG. 13;  
FIG. 18 is a right side view of the design of FIG. 13;  
FIG. 19 is a perspective view of a roadway lamp of a fourth embodiment;  
FIG. 20 is a top view of the design of FIG. 19;  
FIG. 21 is a front view of the design of FIG. 19, the rear being a mirror image thereof;  
FIG. 22 is a bottom view of the design of FIG. 19;  
FIG. 23 is a left side view of the design of FIG. 19; and,  
FIG. 24 is a right side view of the design of FIG. 19.

**1 Claim, 12 Drawing Sheets**



# US D660,494 S

Page 2

---

## U.S. PATENT DOCUMENTS

D192,260 S *	2/1962	Fahey, Jr. ....	D26/71	8,007,142 B2 *	8/2011	Ku et al. ....	362/431
7,832,898 B2 *	11/2010	Li .....	362/249.02	D646,420 S *	10/2011	Chen et al. ....	D26/71
D632,000 S *	2/2011	Little et al. ....	D26/71	D648,884 S *	11/2011	Tortel .....	D26/71
D634,465 S *	3/2011	Siefker et al. ....	D26/71	D650,110 S *	12/2011	Zhu .....	D26/71

\* cited by examiner

Figure 1

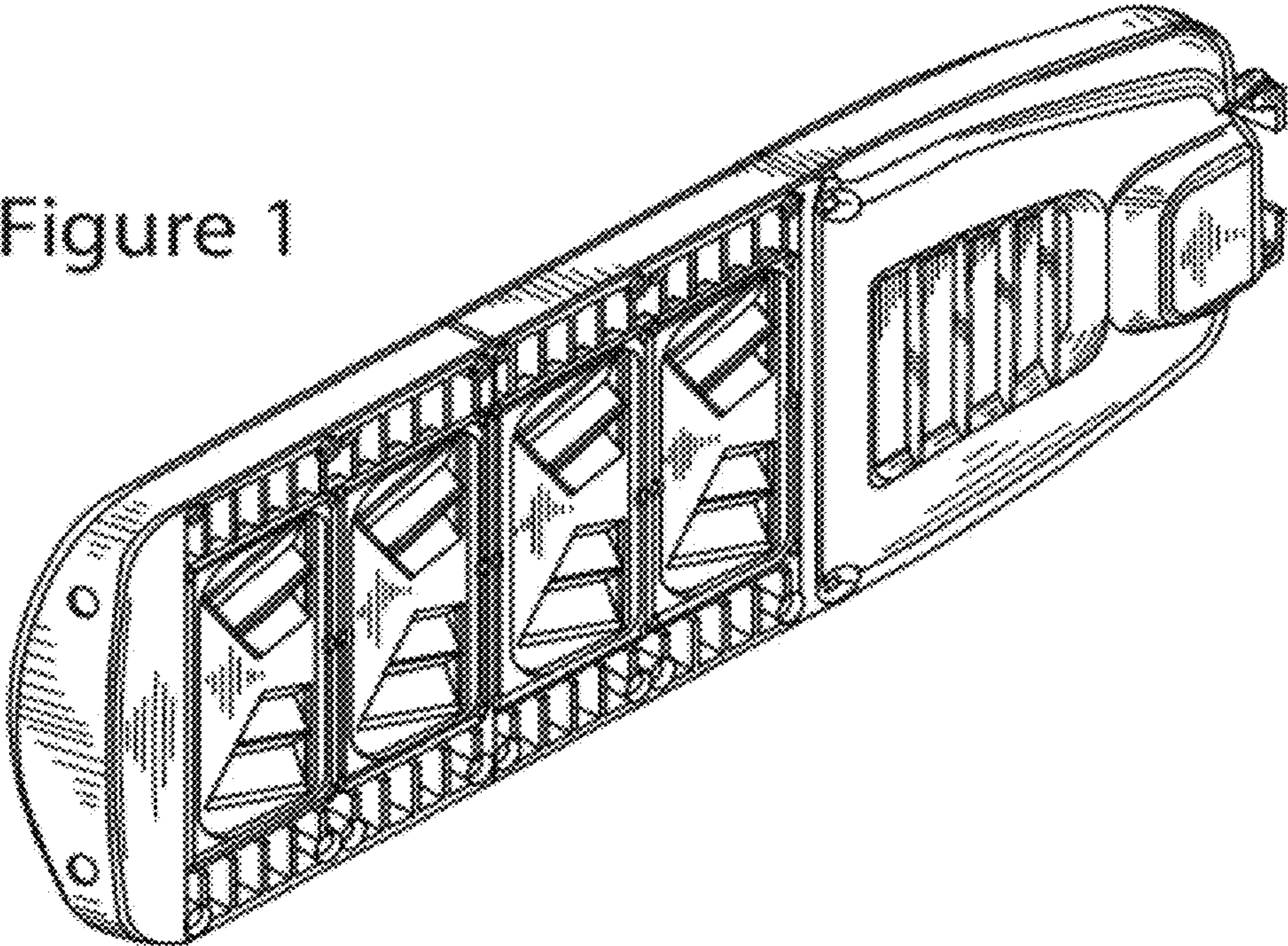




Figure 2

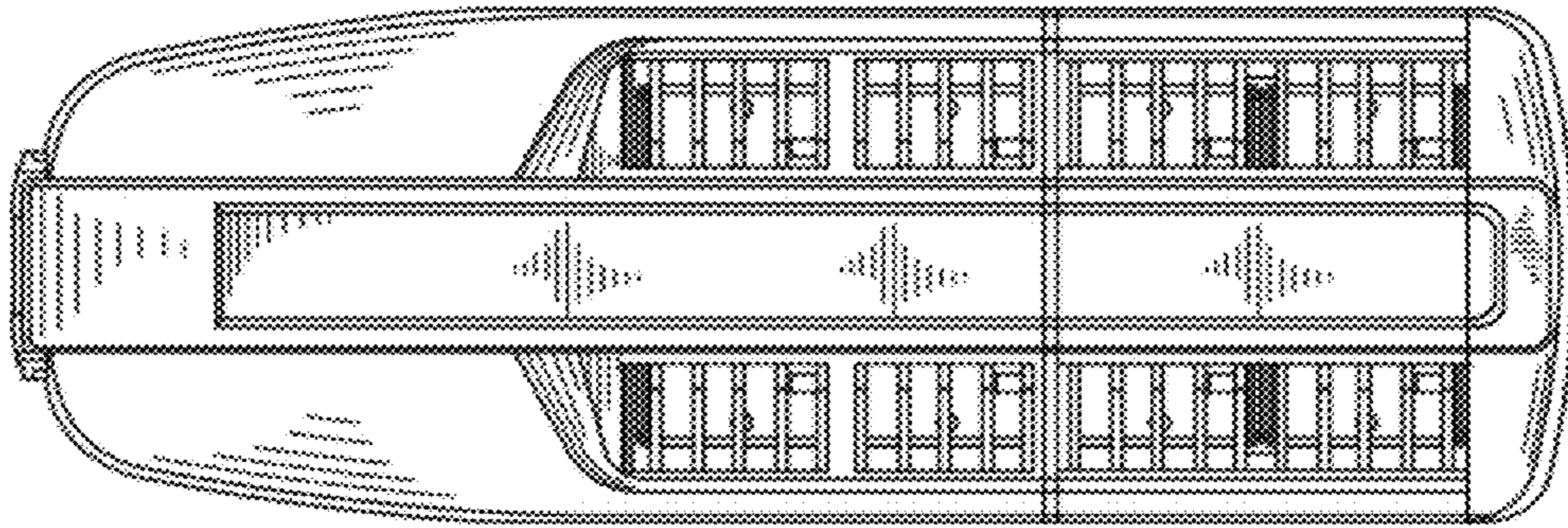


Figure 3

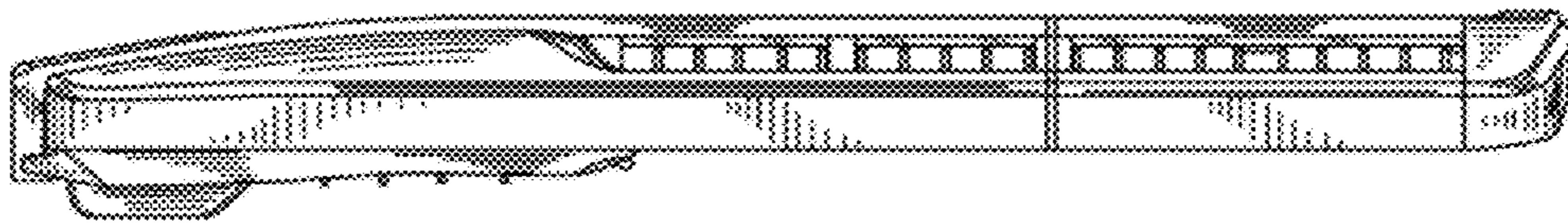


Figure 4

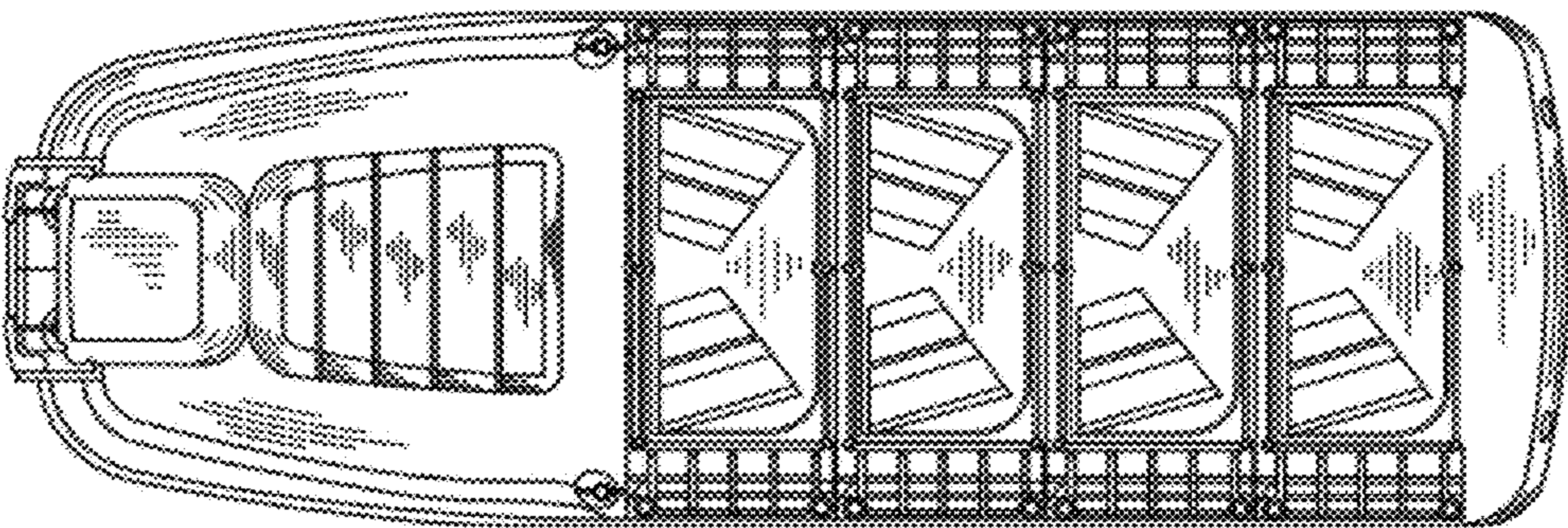


Figure 5

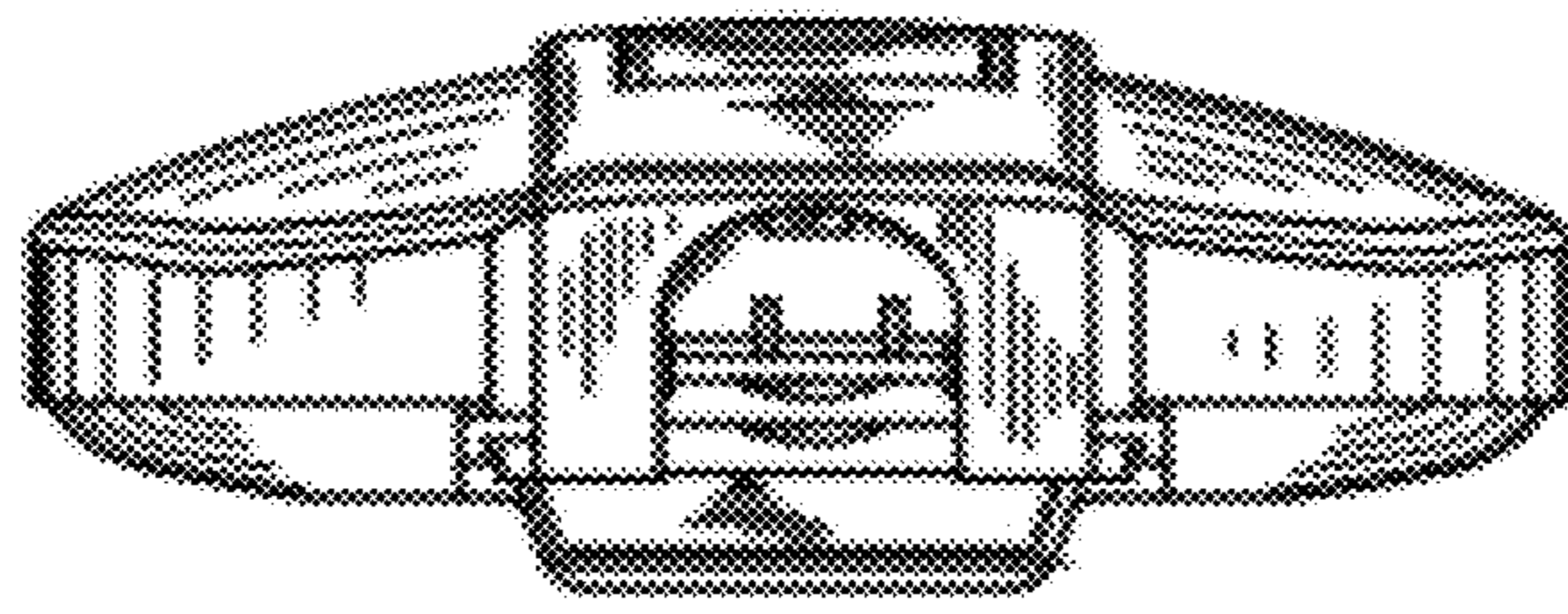


Figure 6

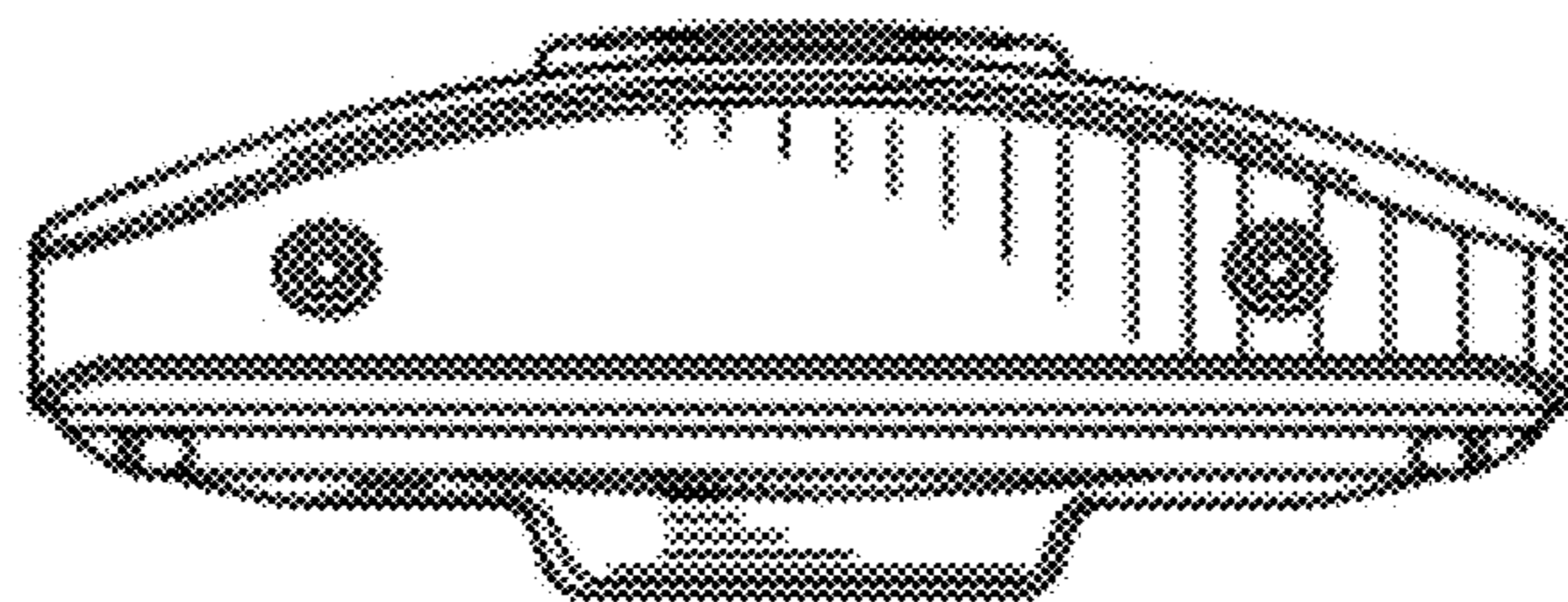




Figure 7

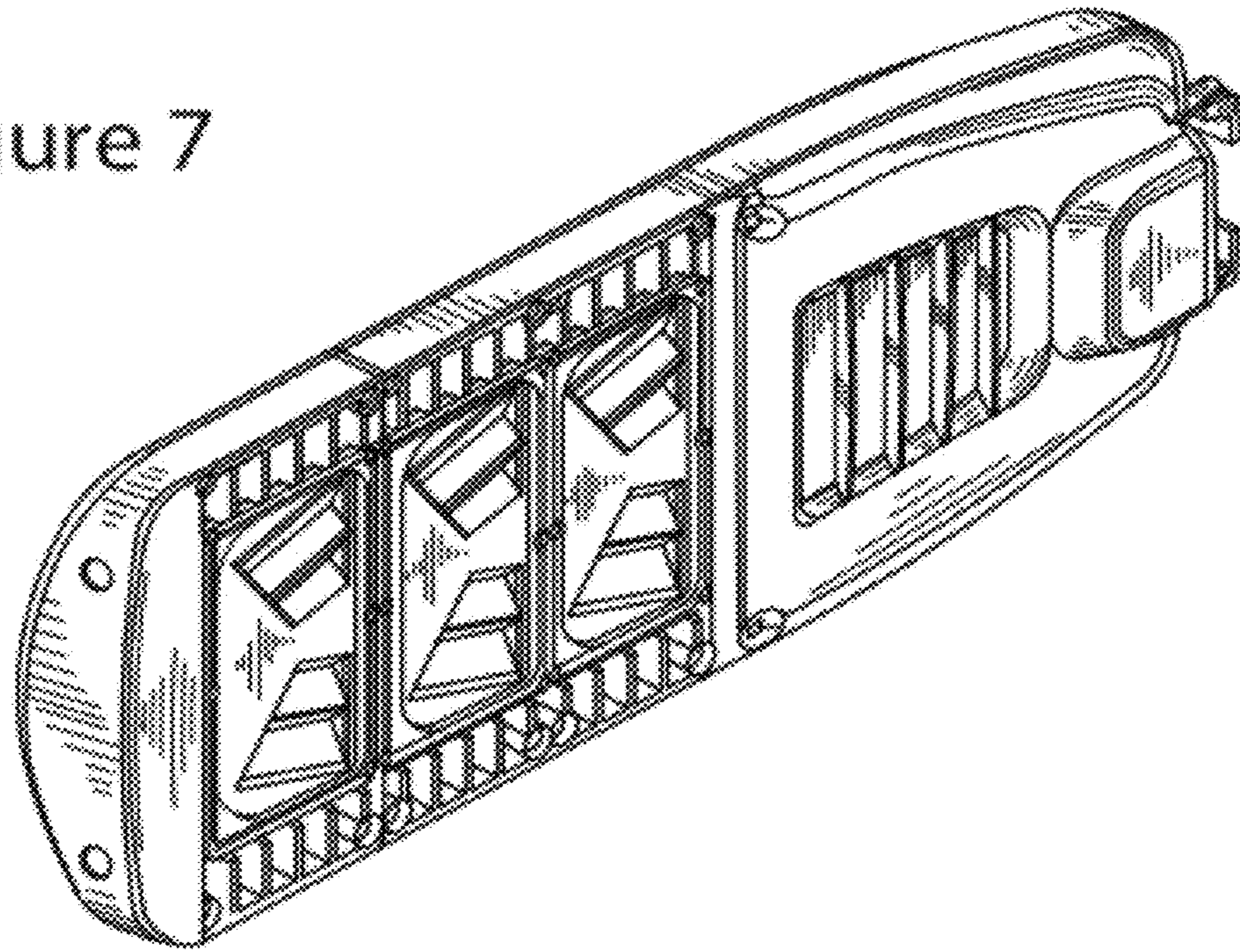




Figure 8

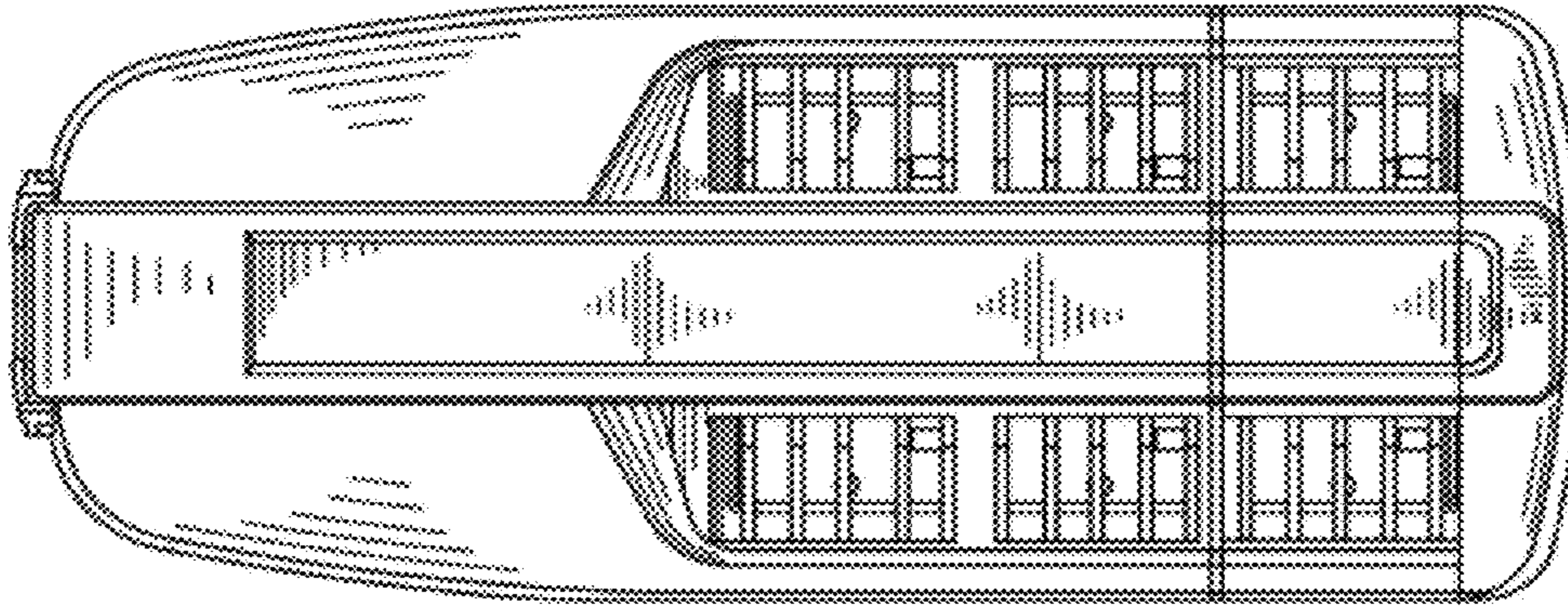


Figure 9

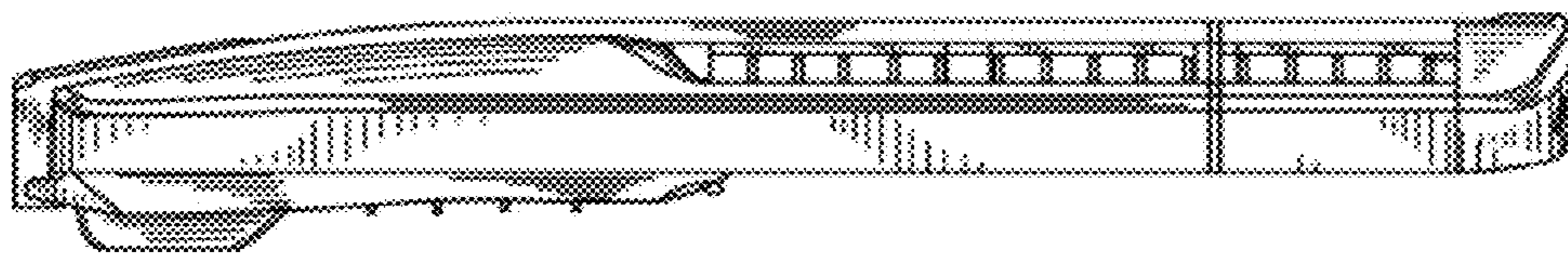


Figure 10

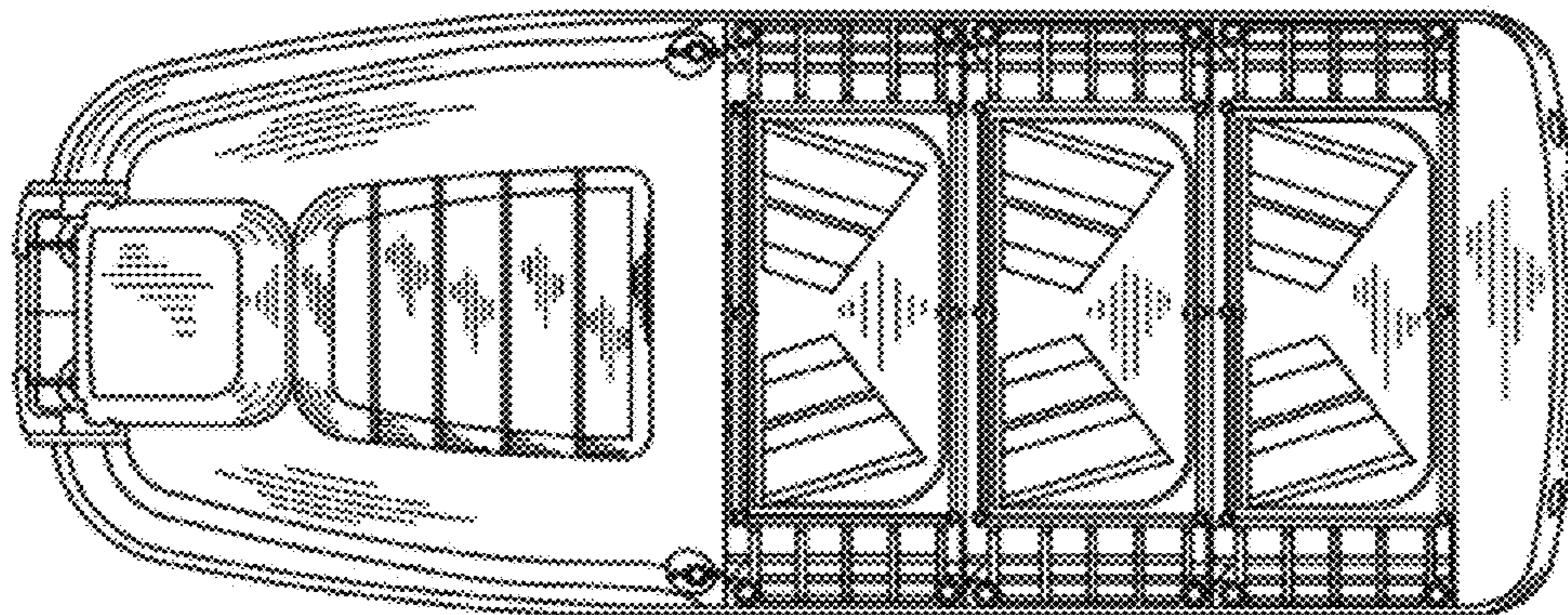


Figure 11

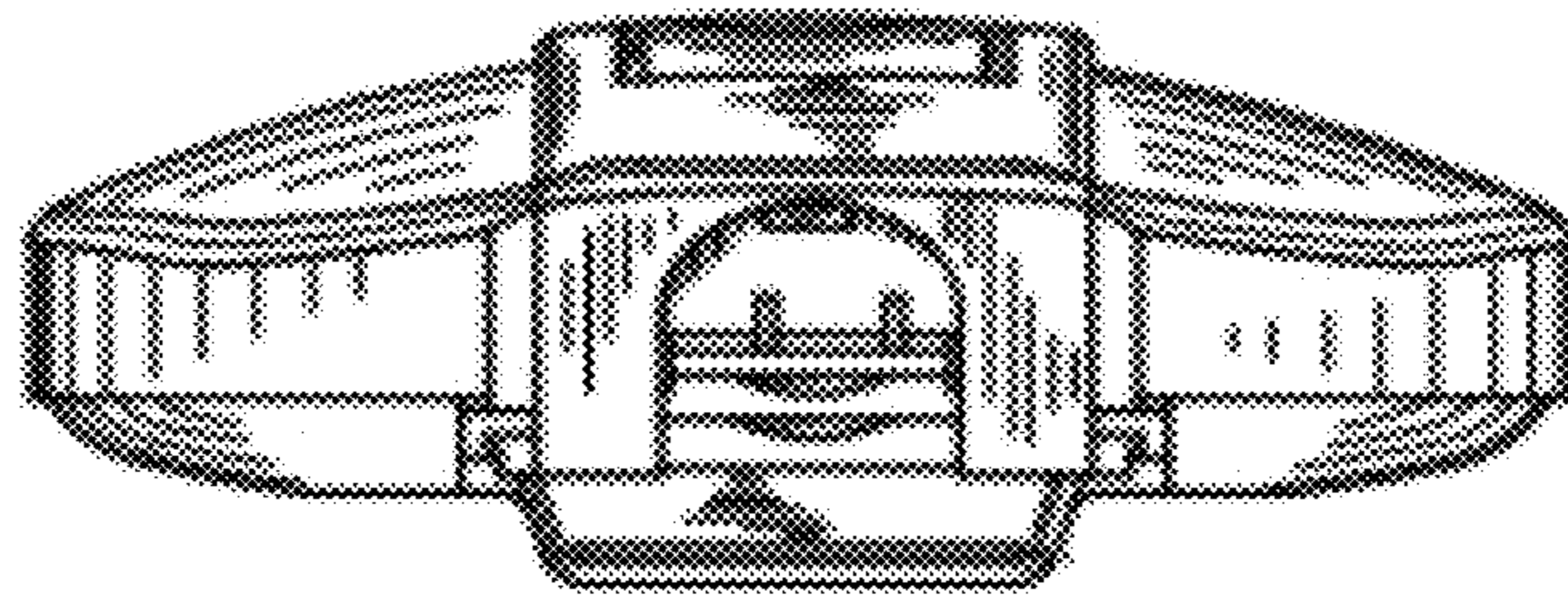


Figure 12

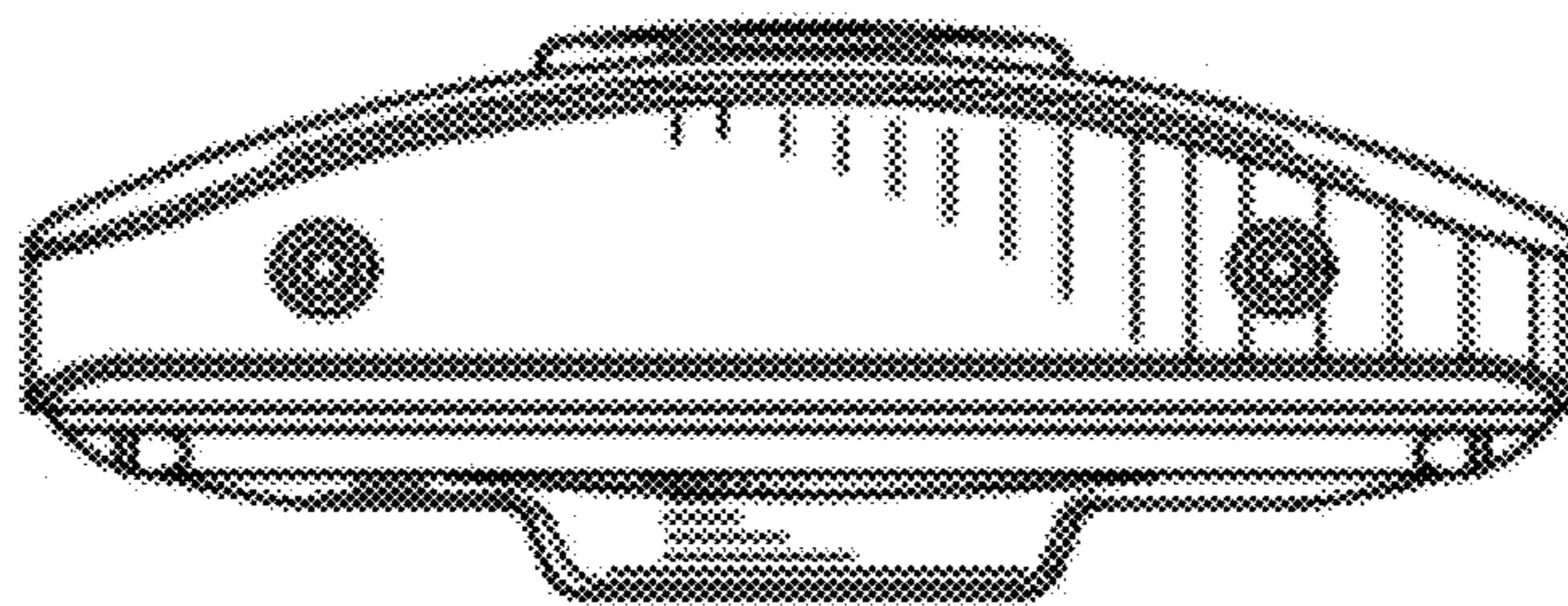




Figure 13

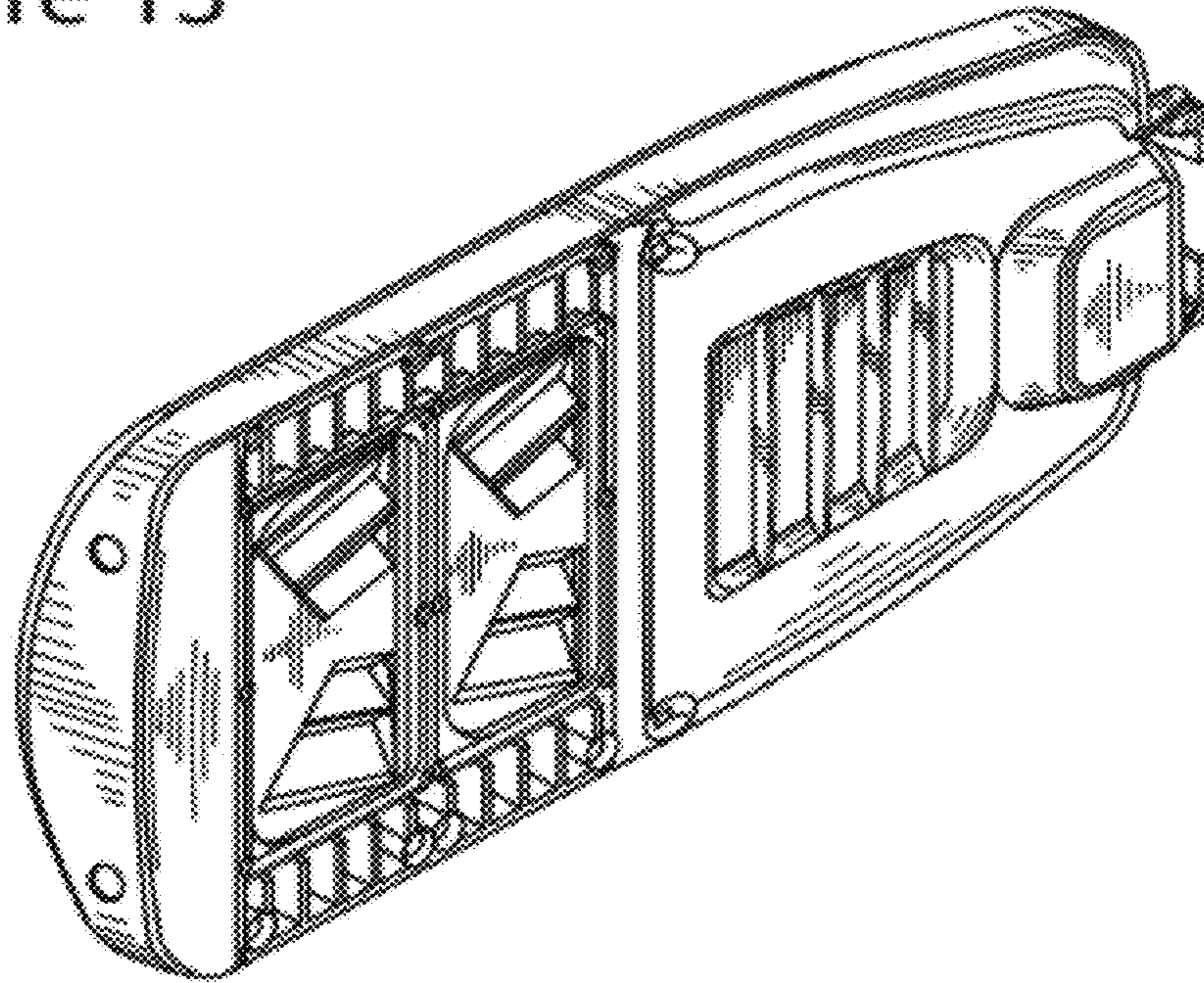




Figure 14

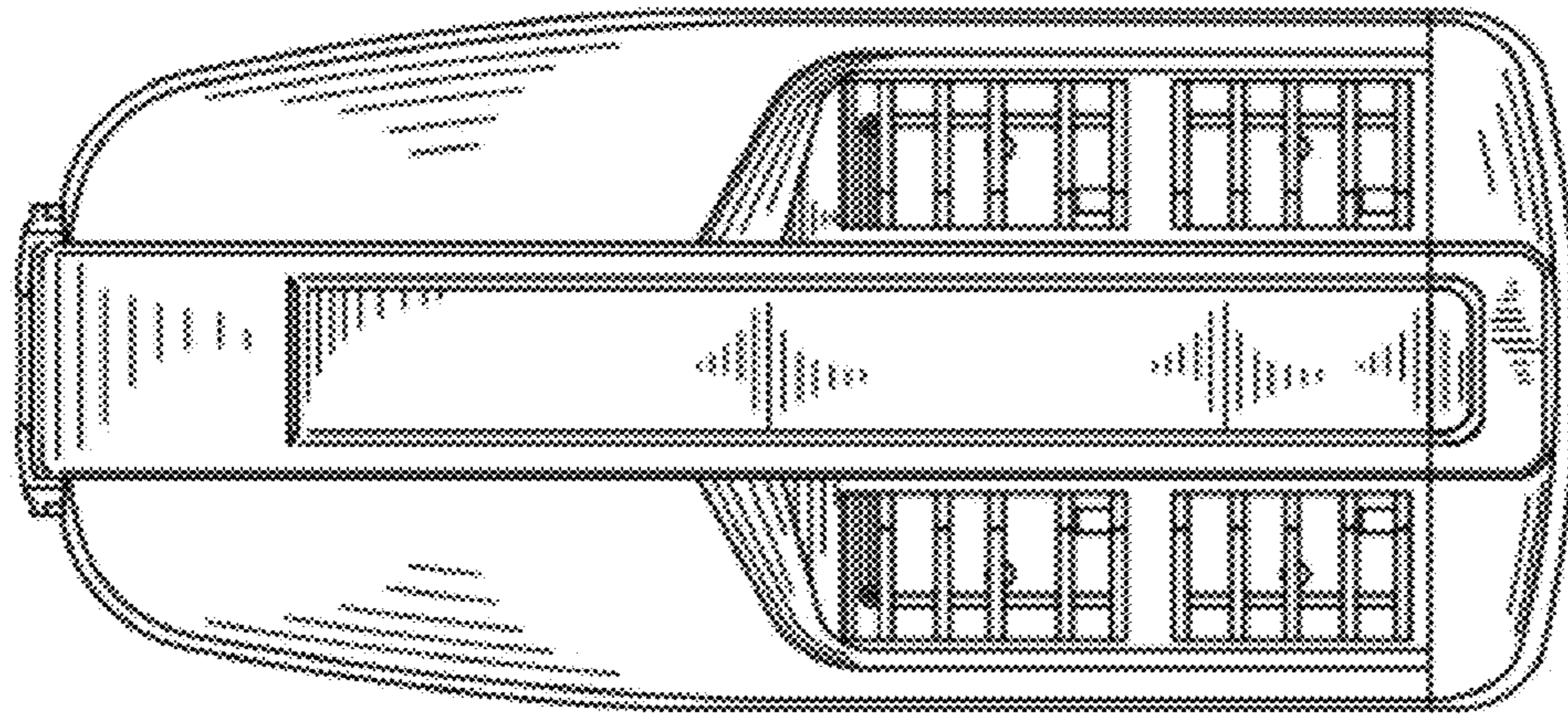


Figure 15

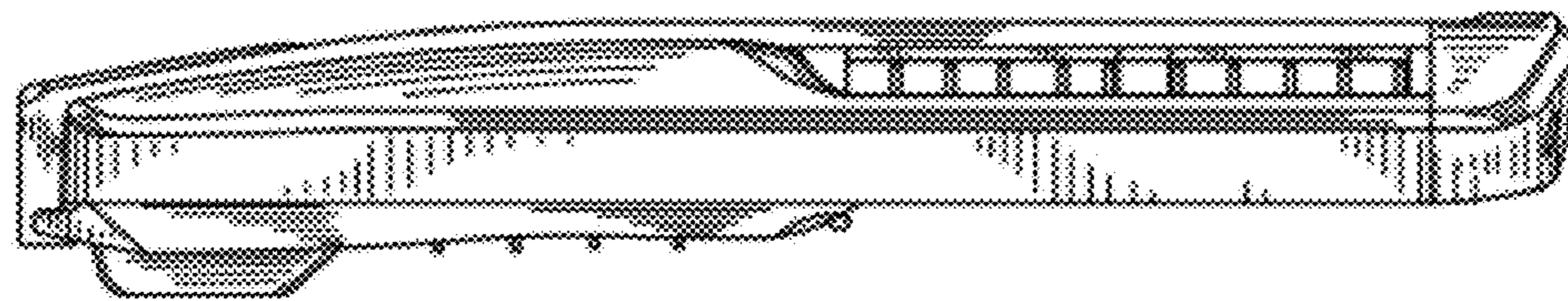


Figure 16

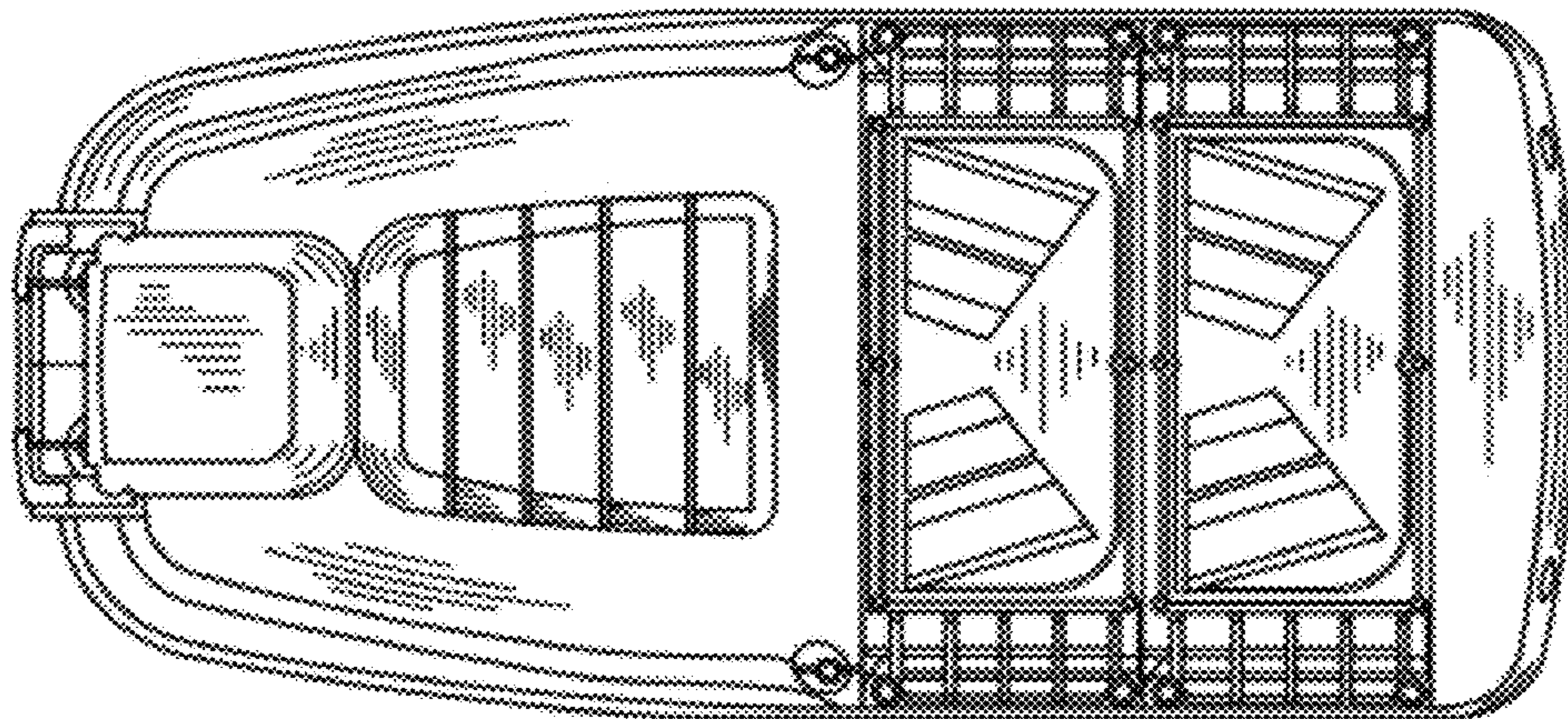




Figure 17

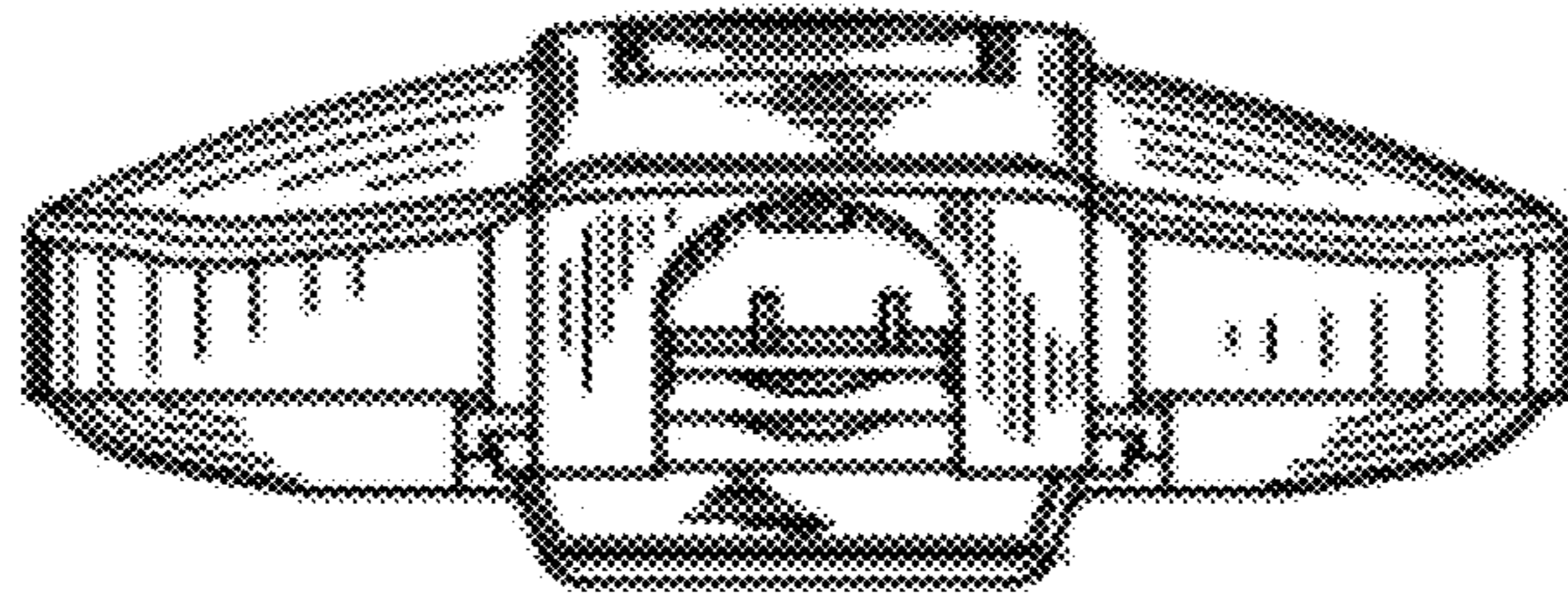


Figure 18

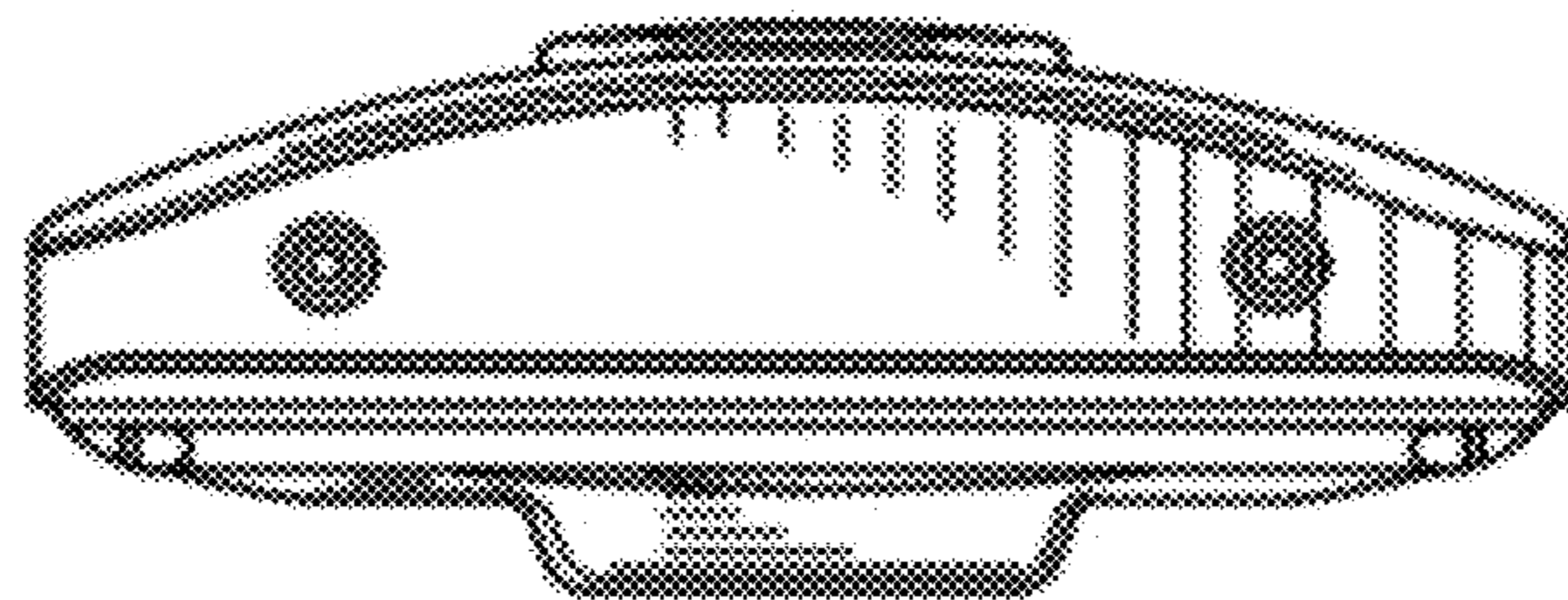


Figure 19

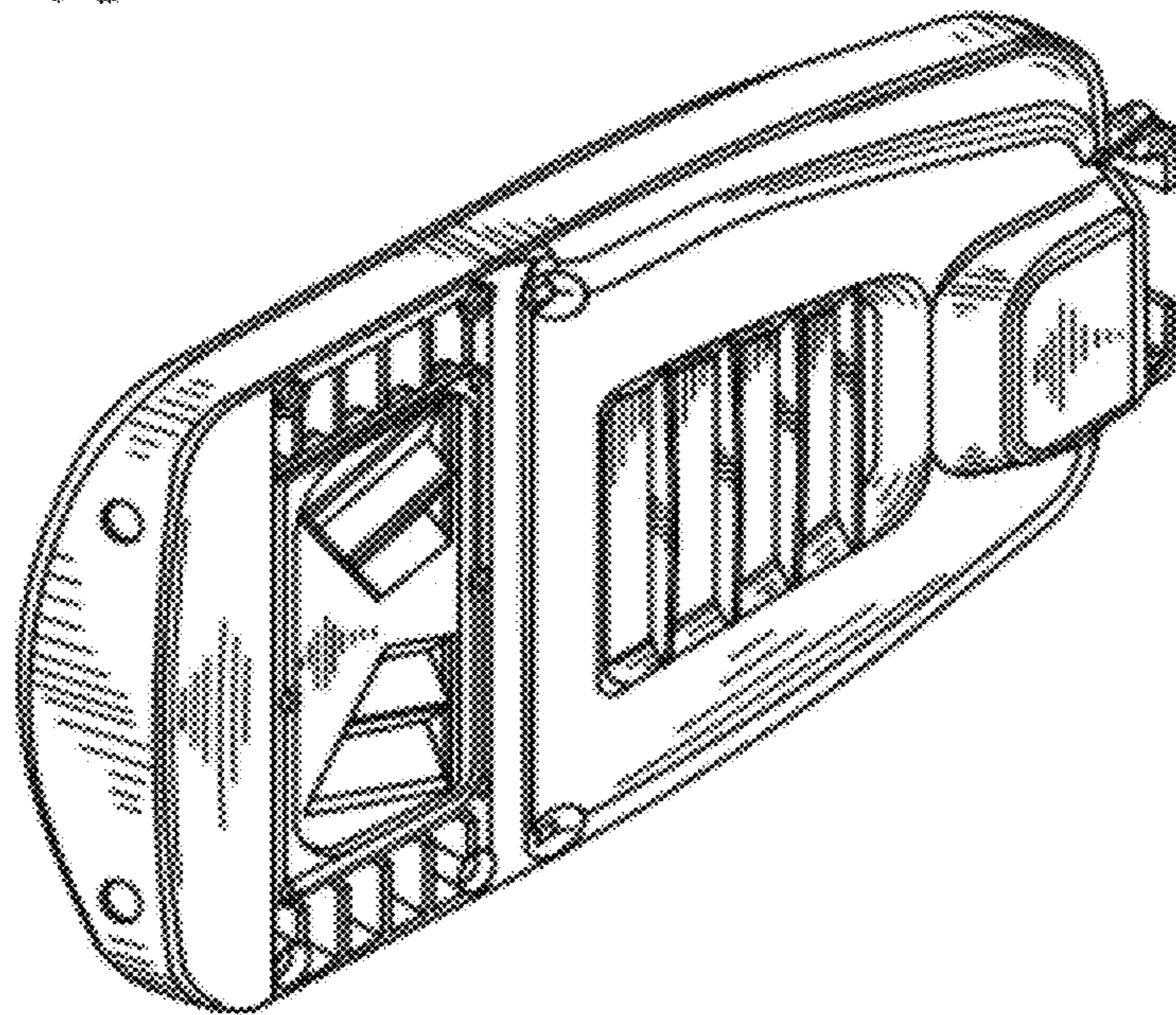




Figure 20

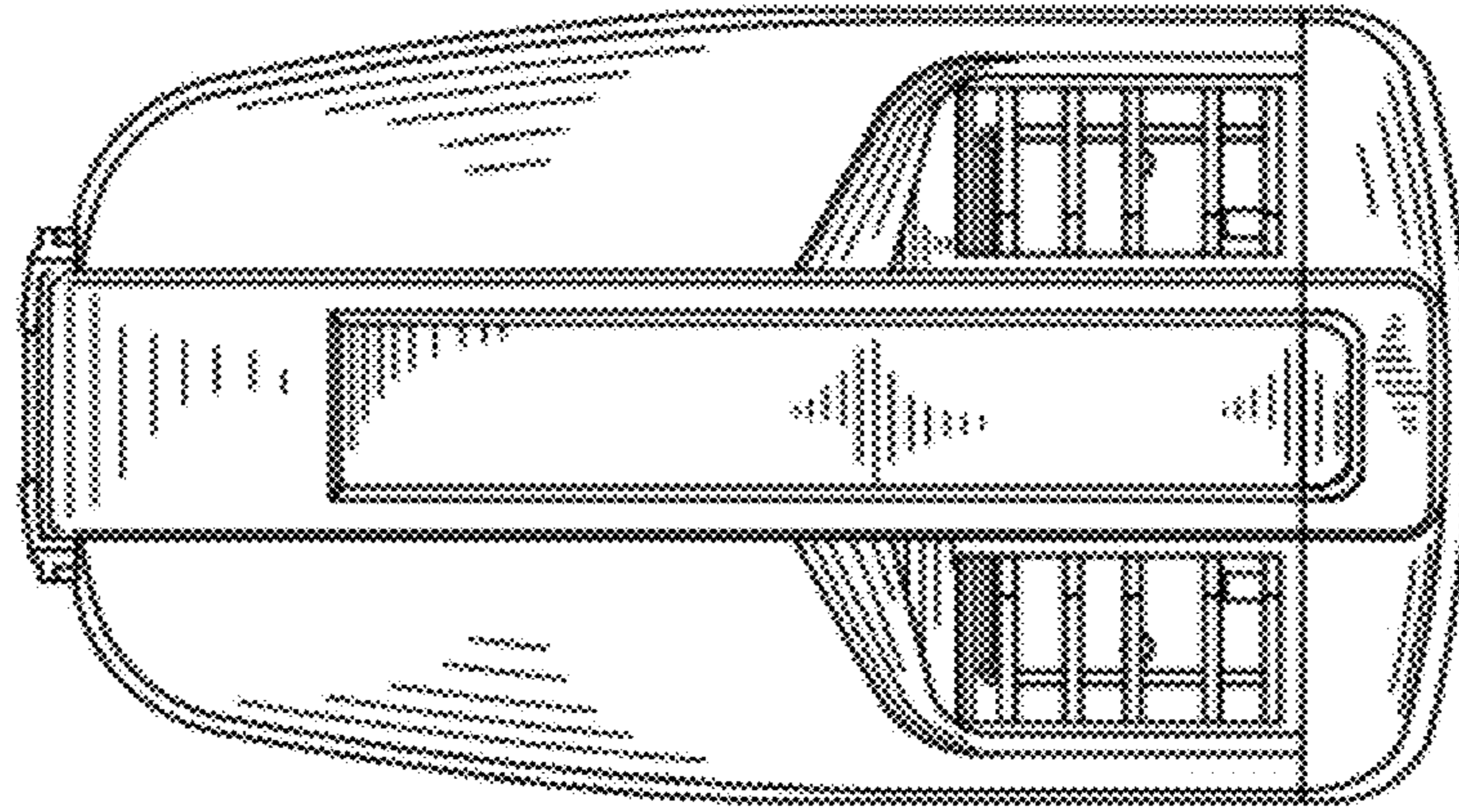


Figure 21

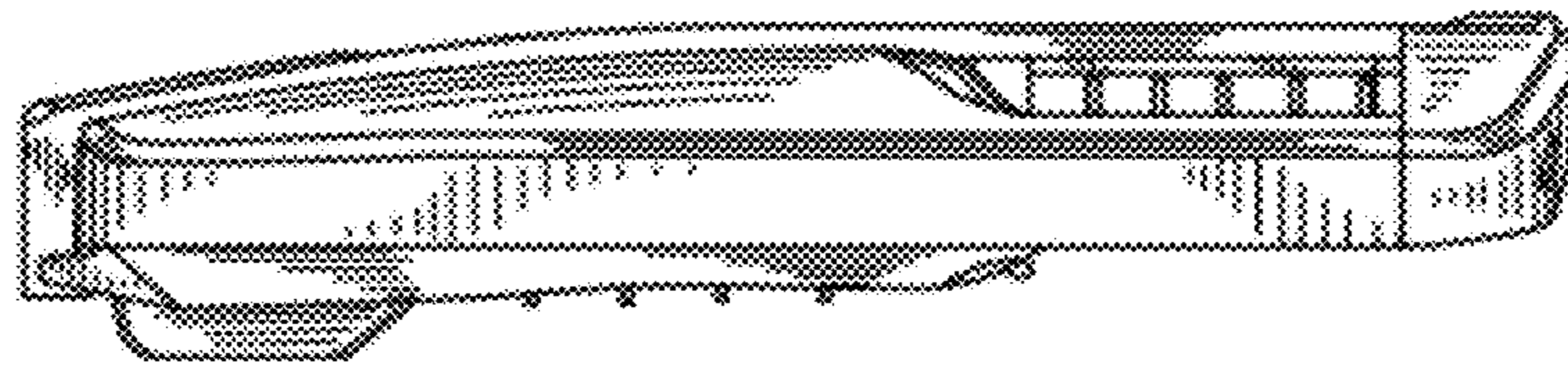


Figure 22

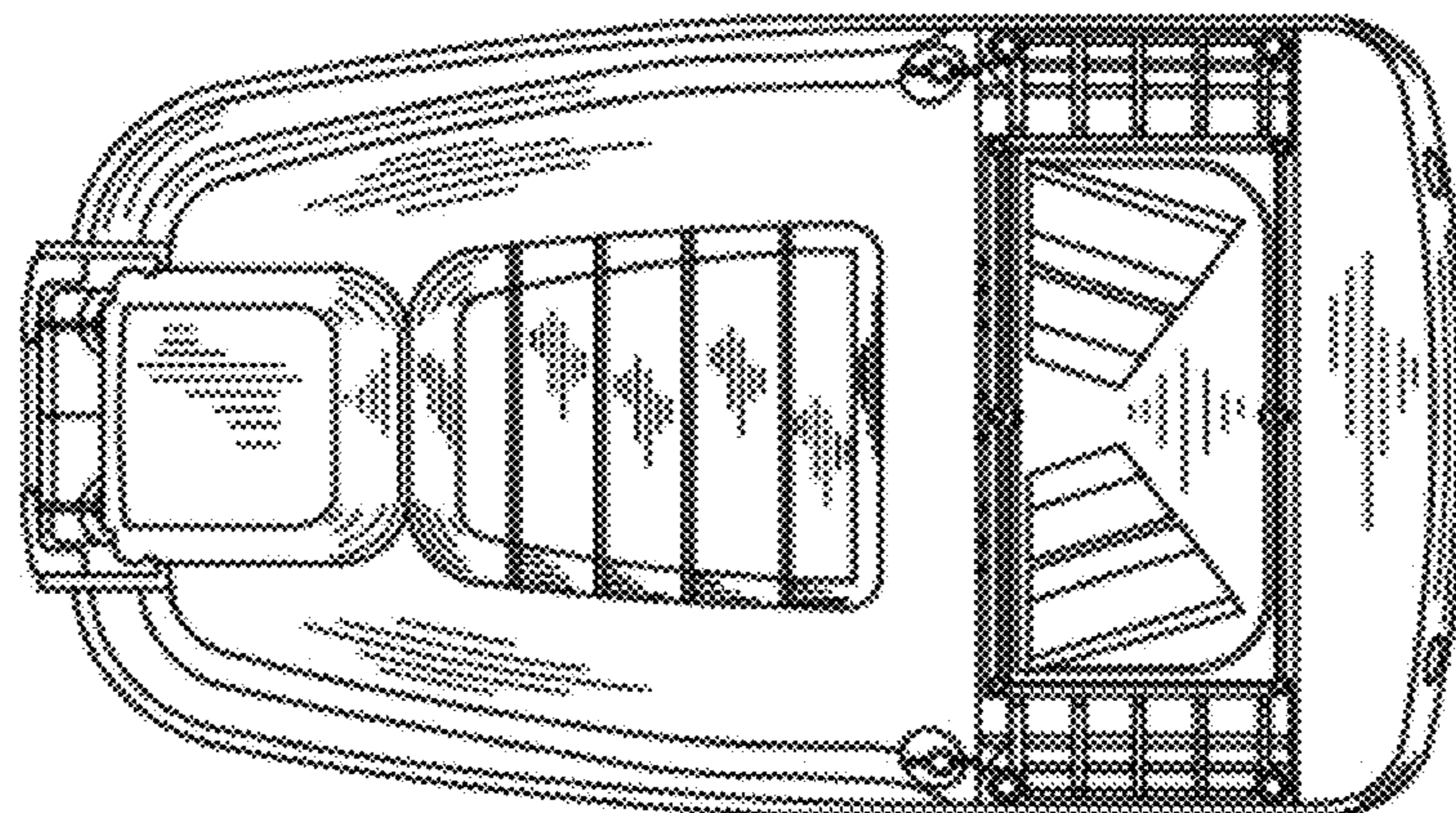


Figure 23

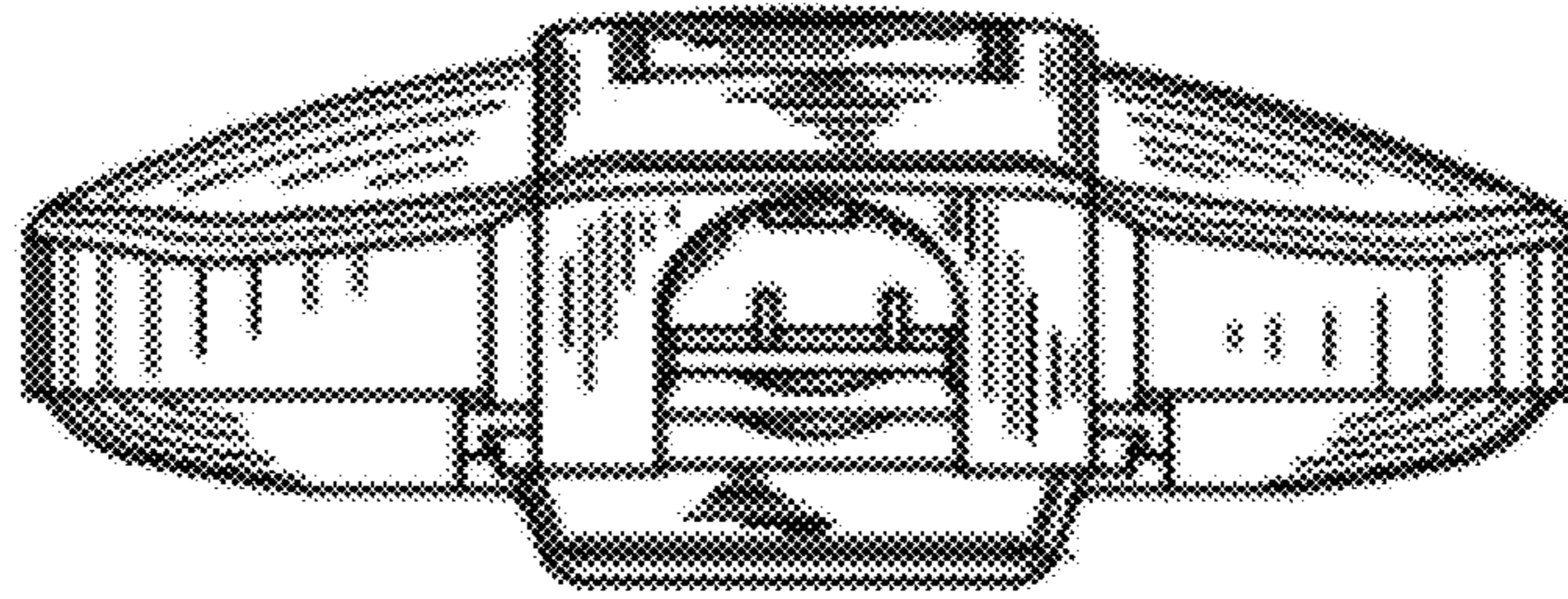


Figure 24

