



US00D660491S

(12) **United States Design Patent**  
**Holscher**

(10) **Patent No.:** **US D660,491 S**

(45) **Date of Patent:** **\*\* May 22, 2012**

(54) **EMERGENCY LIGHTING FIXTURE**

(75) **Inventor:** **Steven G. Holscher**, Boling Springs, SC  
(US)

(73) **Assignee:** **Hubbell Incorporated**, Shelton, CT  
(US)

(\*\*) **Term:** **14 Years**

(21) **Appl. No.:** **29/391,067**

(22) **Filed:** **May 3, 2011**

(51) **LOC (9) Cl.** ..... **26-05**

(52) **U.S. Cl.** ..... **D26/63; D26/83**

(58) **Field of Classification Search** ..... D26/61,  
D26/63, 74, 80, 81, 83-89; 362/147, 488,  
362/490, 515, 20, 249.1, 249.07, 285, 287;  
D10/114.1

See application file for complete search history.

(56) **References Cited**

**U.S. PATENT DOCUMENTS**

D107,878	S *	1/1938	Levey	.....	D26/74
D223,282	S	4/1972	Andre		
D264,253	S	5/1982	Goldschmidt et al.		
D299,549	S	1/1989	Macaluso		
D301,750	S *	6/1989	Fenne	.....	D26/26
D320,863	S	10/1991	Macaluso		
D333,010	S *	2/1993	Lowe, Sr.	.....	D26/72
D334,821	S *	4/1993	Morgan	.....	D26/28
D357,997	S *	5/1995	Wegrzyn et al.	.....	D26/85
D397,484	S *	8/1998	Ballard	.....	D26/85
D400,991	S	11/1998	LaRosa et al.		
D400,995	S *	11/1998	LaRosa et al.	.....	D26/63
D410,295	S *	5/1999	Lueken et al.	.....	D26/74
D419,708	S	1/2000	LaRosa et al.		
6,019,477	A	2/2000	Wegrzyn et al.		
6,142,649	A	11/2000	Beghelli		
6,193,395	B1	2/2001	Logan		
D441,475	S	5/2001	Wegrzyn et al.		
6,280,042	B1 *	8/2001	Wegrzyn et al.	.....	362/20

D473,672	S *	4/2003	Lay et al.	.....	D26/80
D484,272	S	12/2003	Lay et al.		
D484,633	S *	12/2003	Campagna	.....	D26/72
6,741,324	B1	5/2004	Kim		
D507,373	S	7/2005	Kim		
D532,918	S *	11/2006	Lay et al.	.....	D26/80
7,182,487	B1	2/2007	Pickard et al.		
7,220,014	B2	5/2007	Lay et al.		

(Continued)

**OTHER PUBLICATIONS**

RMR-16 Emergency Lighting, Best Lighting Products, 2011.

(Continued)

*Primary Examiner* — Clare E Heflin

(74) *Attorney, Agent, or Firm* — Garrett V. Davis; Mark S. Bicks; Alfred N. Goodman

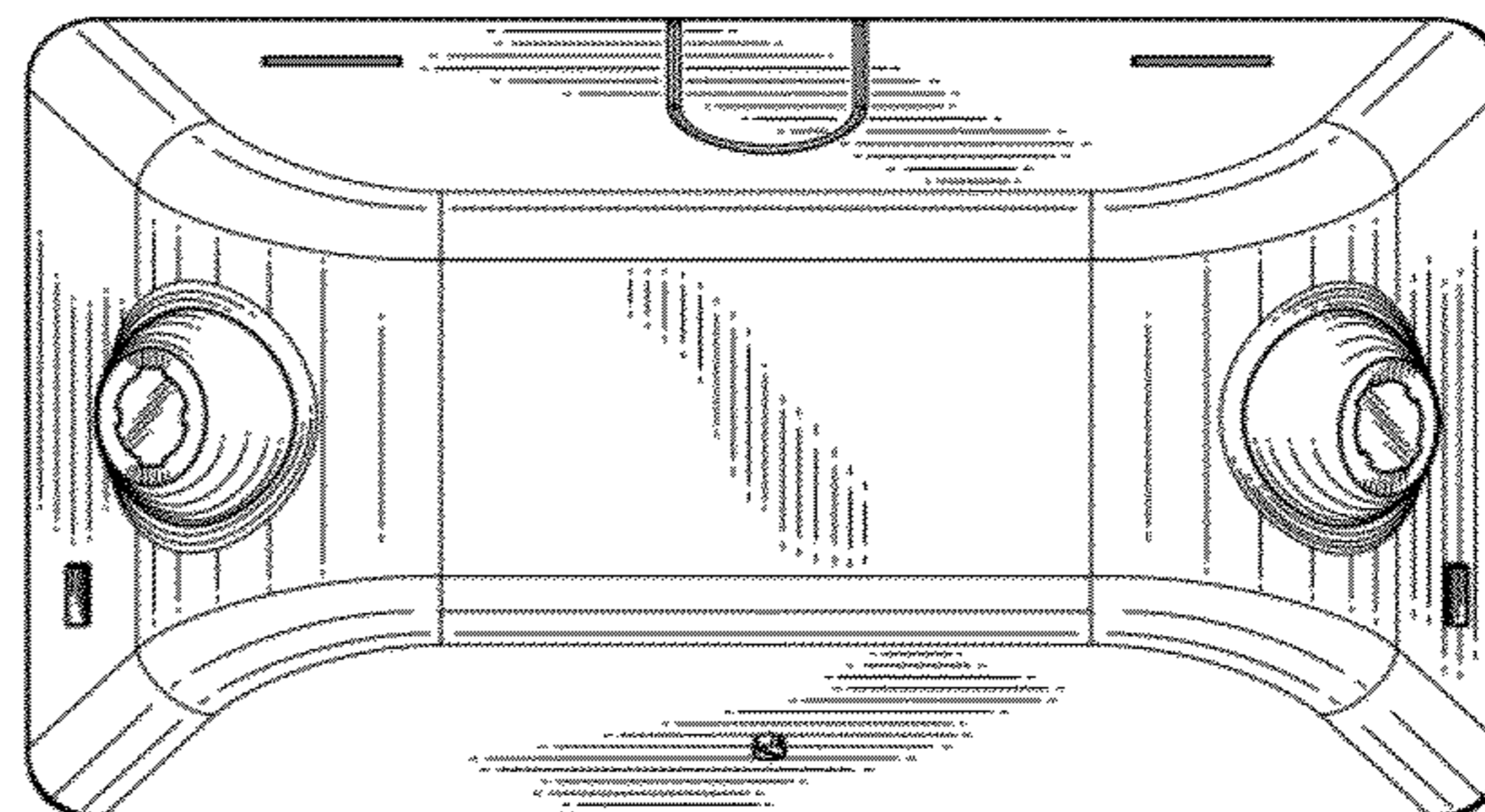
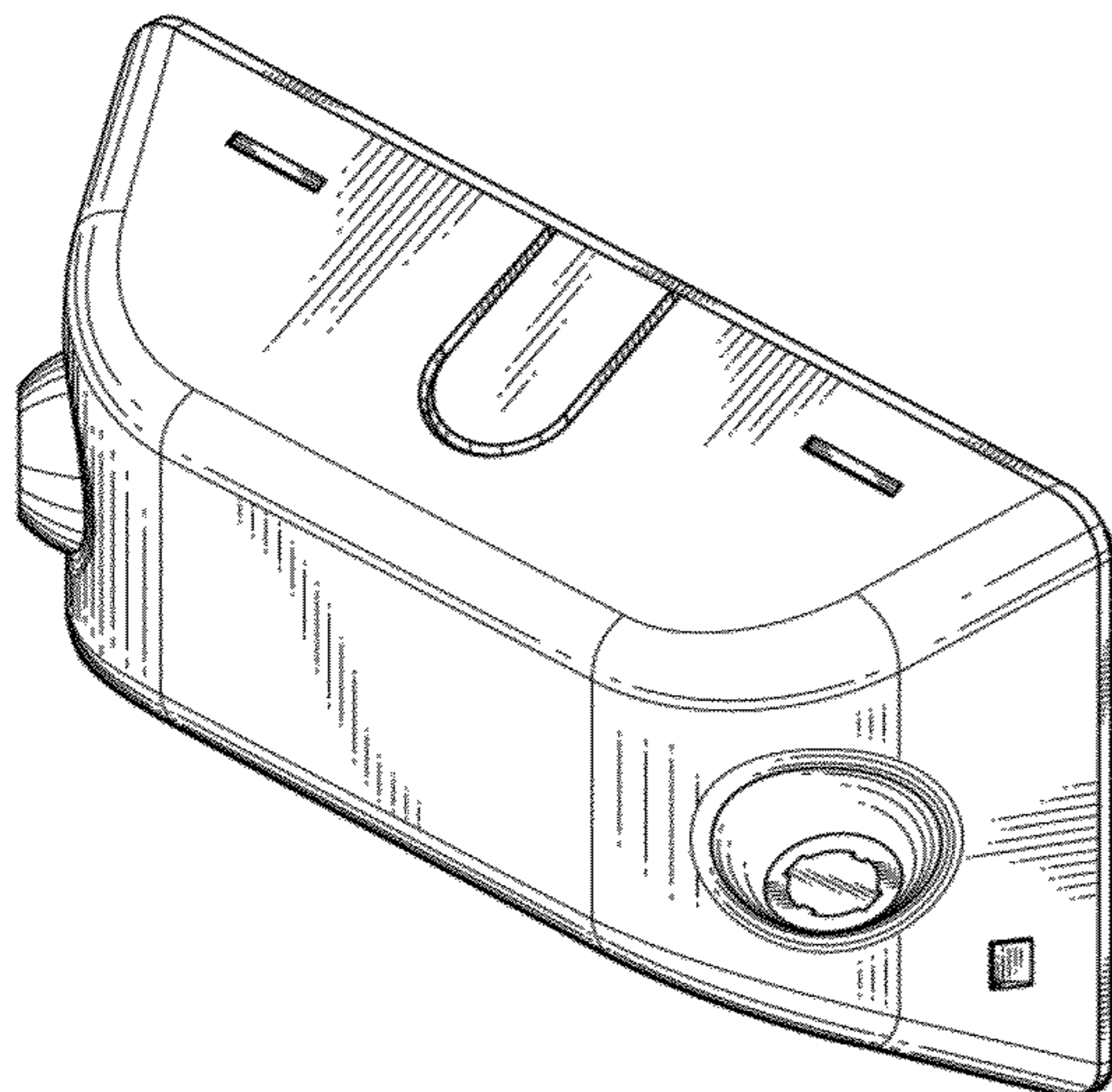
(57) **CLAIM**

The ornamental design for an emergency lighting fixture, as shown and described.

**DESCRIPTION**

FIG. 1 is a top perspective view of the emergency lighting fixture of the invention;  
 FIG. 2 is a front view of the emergency lighting fixture of FIG. 1;  
 FIG. 3 is a right side view of the emergency lighting fixture of FIG. 1;  
 FIG. 4 is a rear side view of the emergency lighting fixture of FIG. 1;  
 FIG. 5 is a left side view of the emergency lighting fixture of FIG. 1;  
 FIG. 6 is a top view of the emergency lighting fixture of FIG. 1; and,  
 FIG. 7 is a bottom view of the emergency lighting fixture of FIG. 1.

**1 Claim, 3 Drawing Sheets**



# US D660,491 S

Page 2

---

## U.S. PATENT DOCUMENTS

D547,222 S 7/2007 Wilson et al.  
D558,910 S \* 1/2008 Martineau ..... D26/85  
D559,424 S 1/2008 Martineau et al.  
D586,028 S 2/2009 Condon et al.  
D627,916 S 11/2010 Butteris et al.  
D632,005 S 2/2011 Munstermann

## OTHER PUBLICATIONS

ELM2 Quantum Thermoplastic Emergency Light, Lithonia Light-  
ing, Nov. 3, 2010.  
EL-2MRS Series, Emergi-Lite, Thomas & Betts, Jun. 8, 2000.

\* cited by examiner

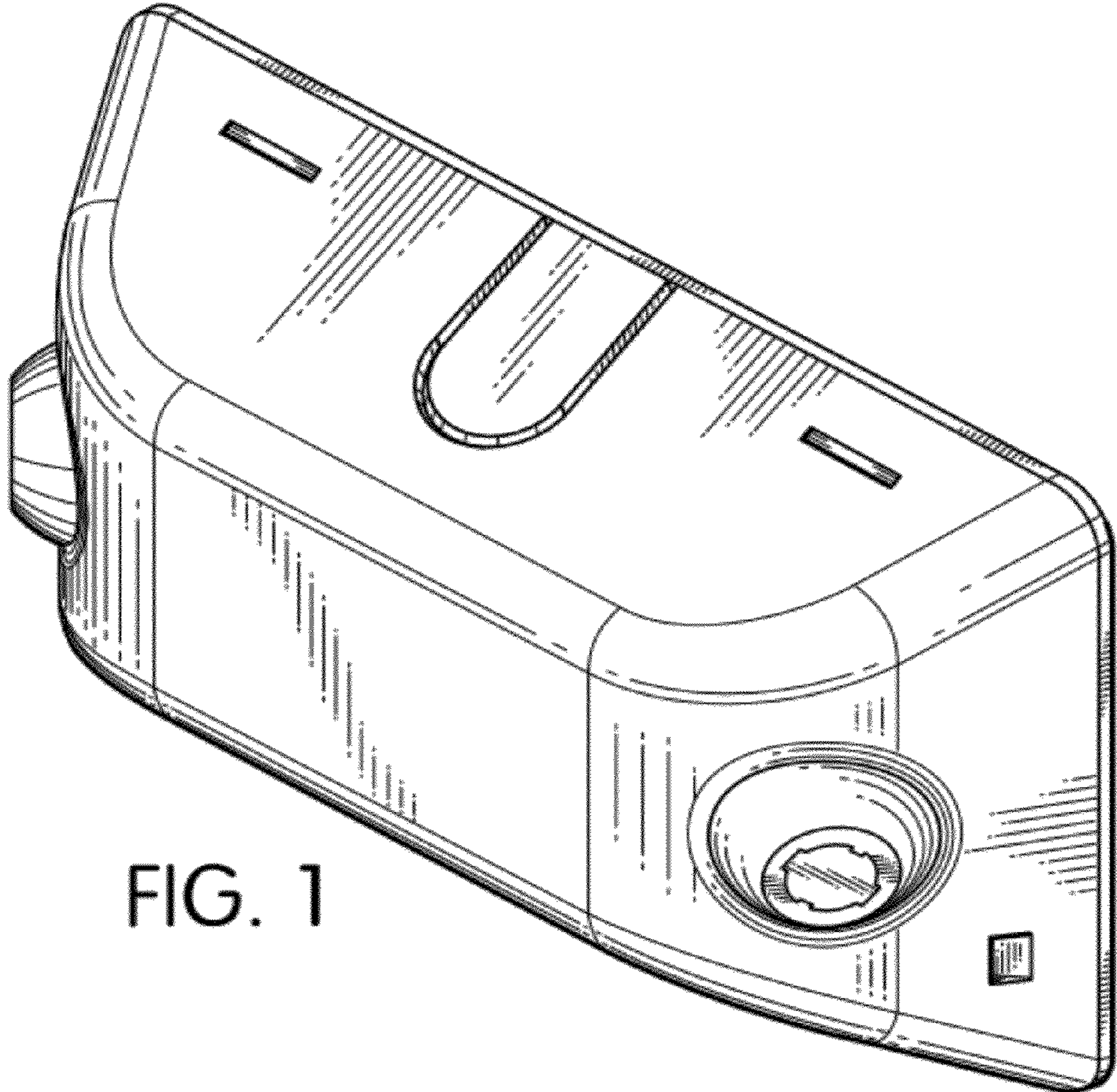


FIG. 1

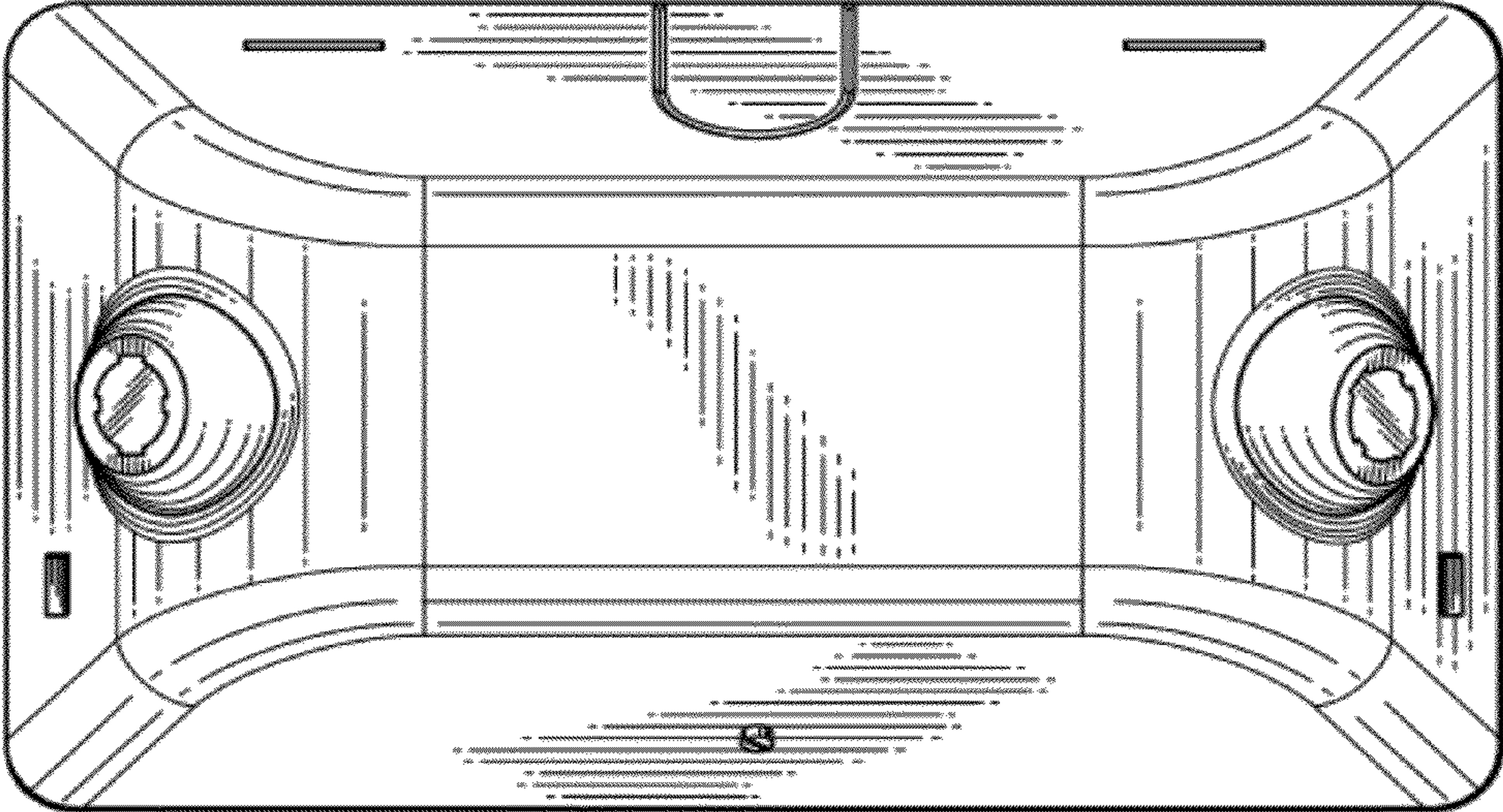


FIG. 2

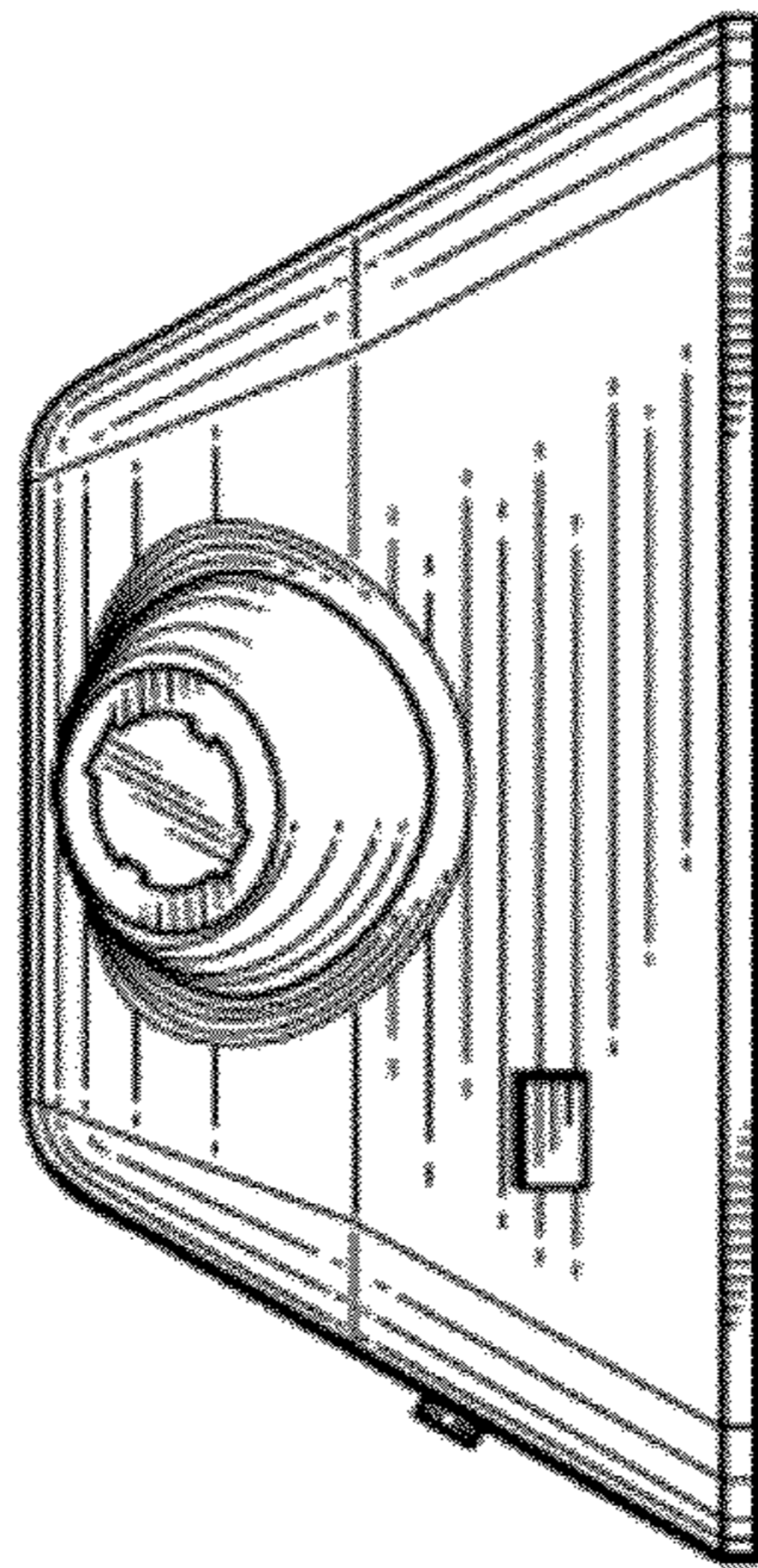


FIG. 3

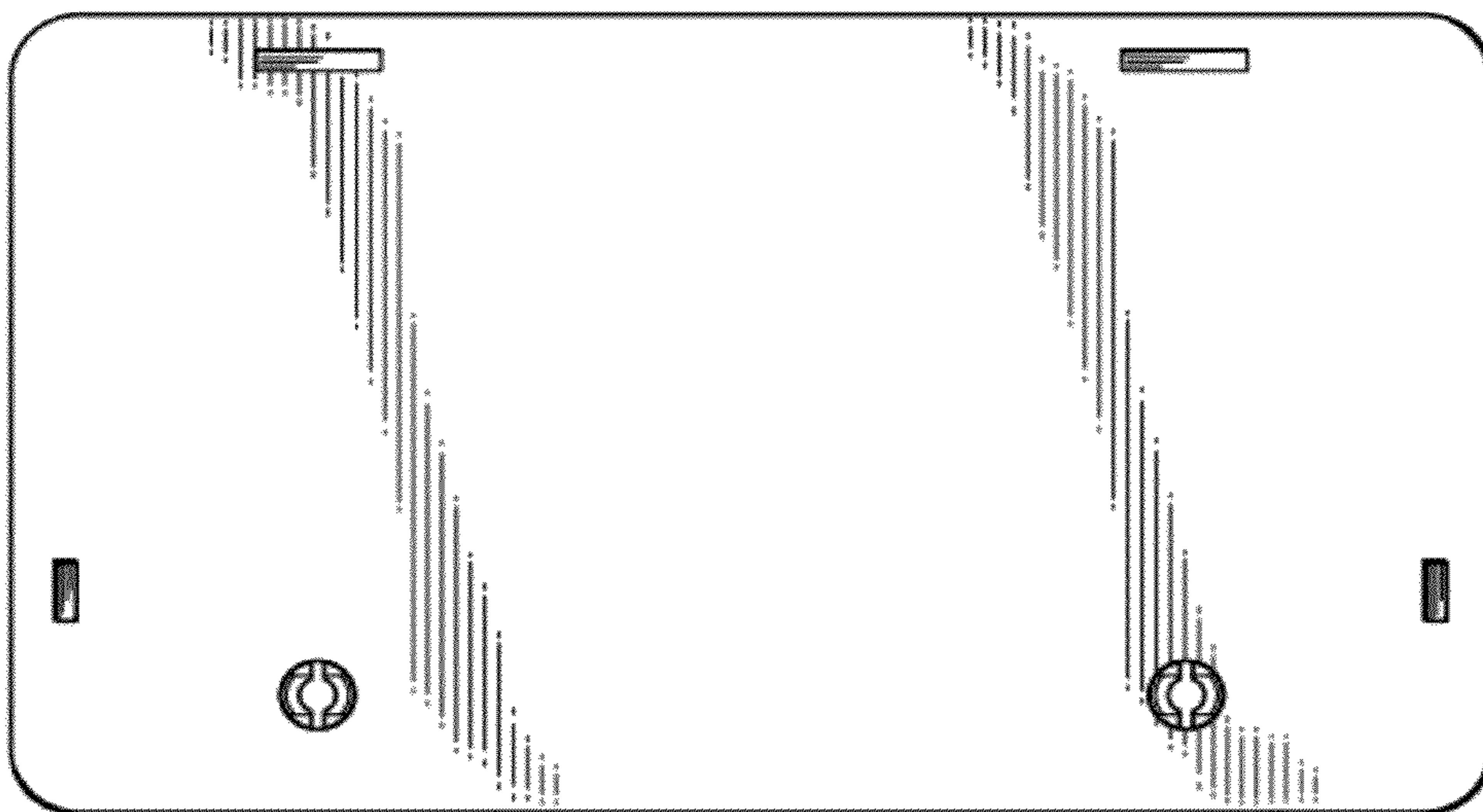


FIG. 4

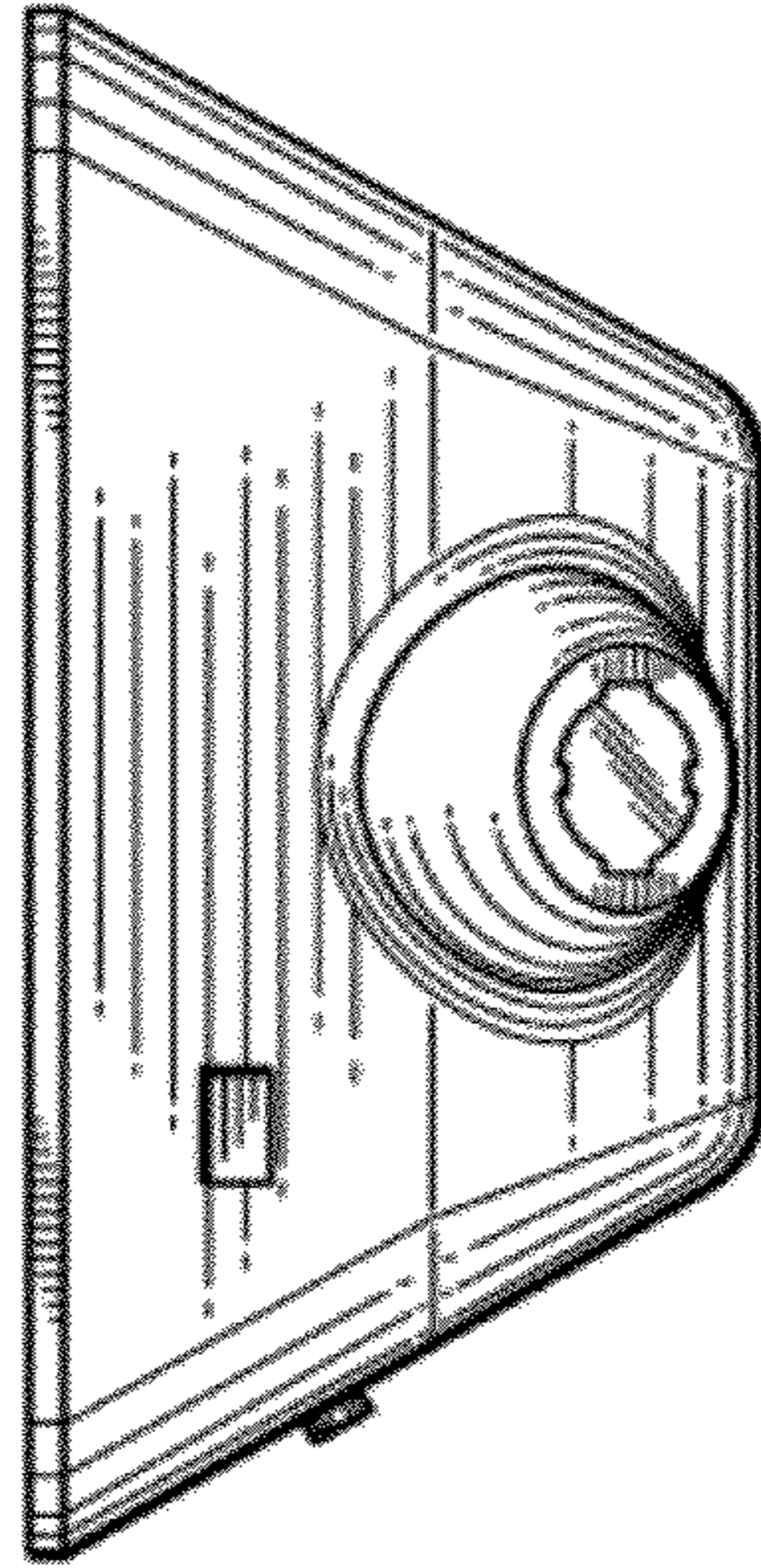


FIG. 5

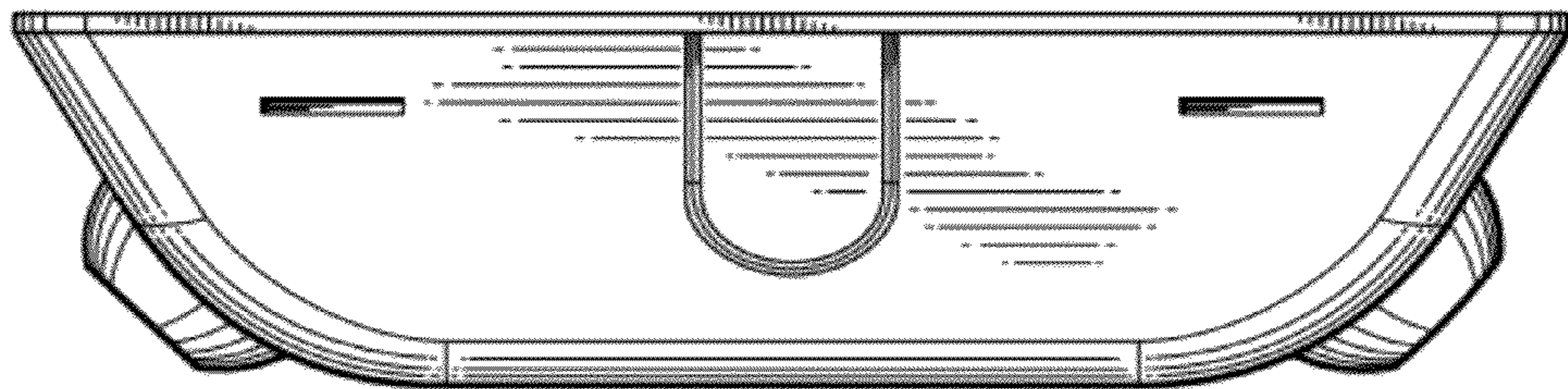


FIG. 6

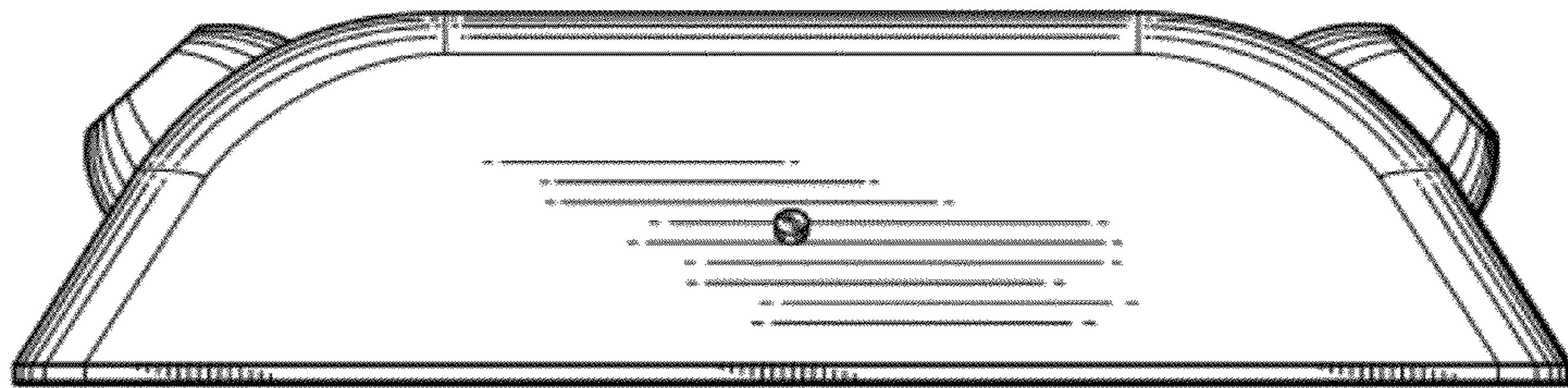


FIG. 7