



US00D660490S

(12) **United States Design Patent**
Hodgson

(10) **Patent No.:** **US D660,490 S**

(45) **Date of Patent:** **** May 22, 2012**

(54) **LAMP**

(75) Inventor: **Fraser Hodgson**, London (GB)

(73) Assignee: **The Daylight Company (Holdings) Limited** (GB)

(**) Term: **14 Years**

(21) Appl. No.: **29/393,400**

(22) Filed: **Jun. 3, 2011**

(30) **Foreign Application Priority Data**

Feb. 22, 2011 (EP) I 001824624-002

(51) **LOC (9) Cl.** **26-05**

(52) **U.S. Cl.** **D26/60; D26/62**

(58) **Field of Classification Search** D26/60-66,
D26/93, 107-109, 102, 104, 118, 51, 56;
362/98, 99, 211, 213, 242, 652, 222, 224,
362/225, 217.02, 311.13, 269, 270, 274,
362/275, 277, 280-285, 287, 288, 311.02,
362/427, 800, 220, 223, 238, 249.01-249.03,
362/249.07, 249.09, 410-414, 253, 640,
362/647, 227, 278, 418, 419, 449, 319, 397,
362/396

See application file for complete search history.

(56) **References Cited**

U.S. PATENT DOCUMENTS

D277,320 S *	1/1985	Selden	D26/51
D520,168 S *	5/2006	Hodgson	D26/65
D524,976 S *	7/2006	Hodgson	D26/60
D529,651 S *	10/2006	Chan	D26/60
D544,124 S *	6/2007	Chan	D26/60
D590,533 S *	4/2009	Li	D26/60
D614,335 S *	4/2010	Cham	D26/51

* cited by examiner

Primary Examiner — Susan M Lee

Assistant Examiner — Linda G. Brooks

(74) *Attorney, Agent, or Firm* — Laubscher & Laubscher, PC

(57) **CLAIM**

The ornamental design for a lamp, as shown.

DESCRIPTION

FIG. 1 is a front perspective view of the invention illustrating my design;

FIG. 2 is a left side elevation view thereof;

FIG. 3 is a right side elevation view thereof;

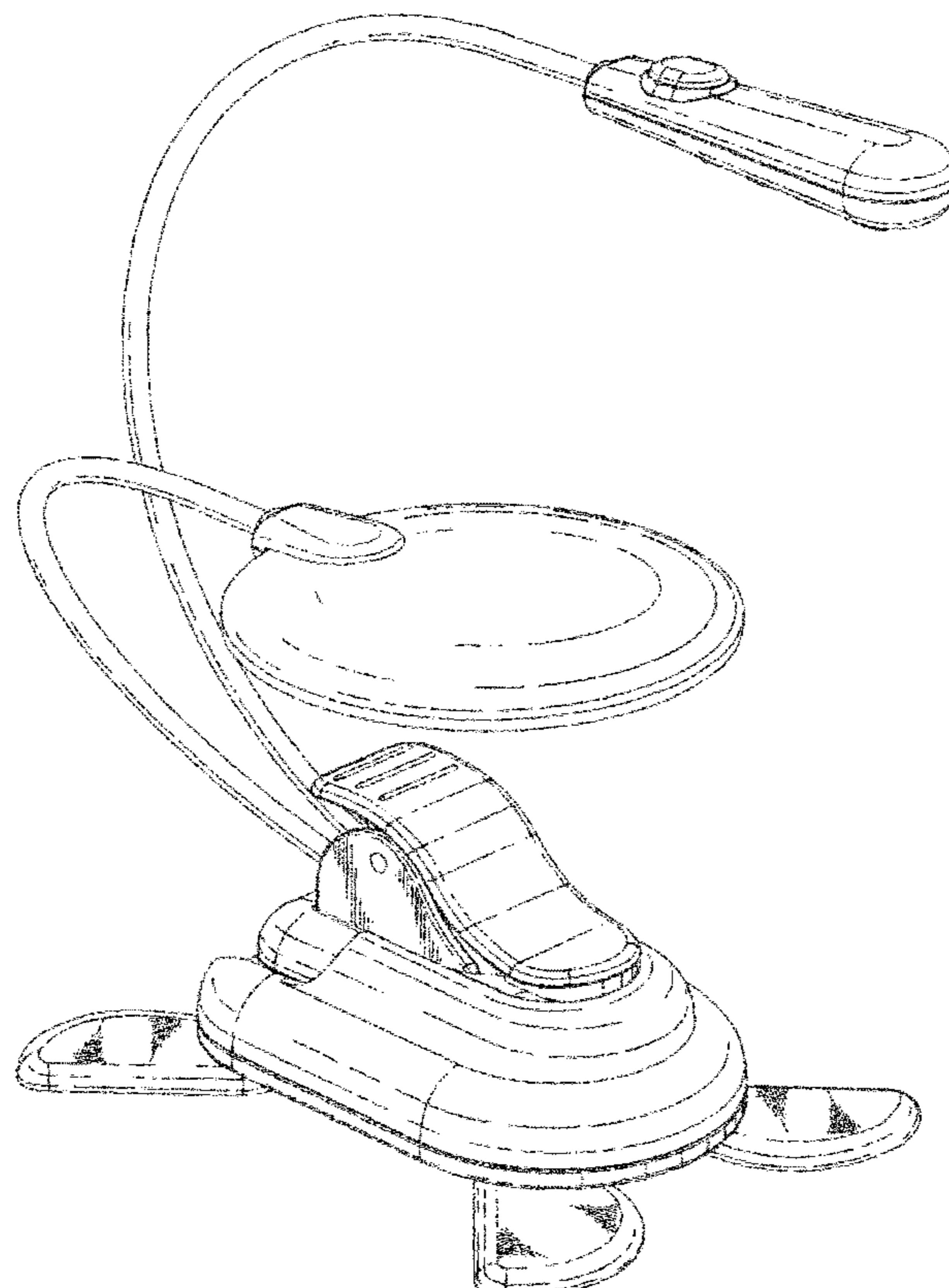
FIG. 4 is a front elevation view thereof;

FIG. 5 is a rear elevation view thereof;

FIG. 6 is a top elevation view thereof; and,

FIG. 7 is a bottom elevation view thereof.

1 Claim, 7 Drawing Sheets



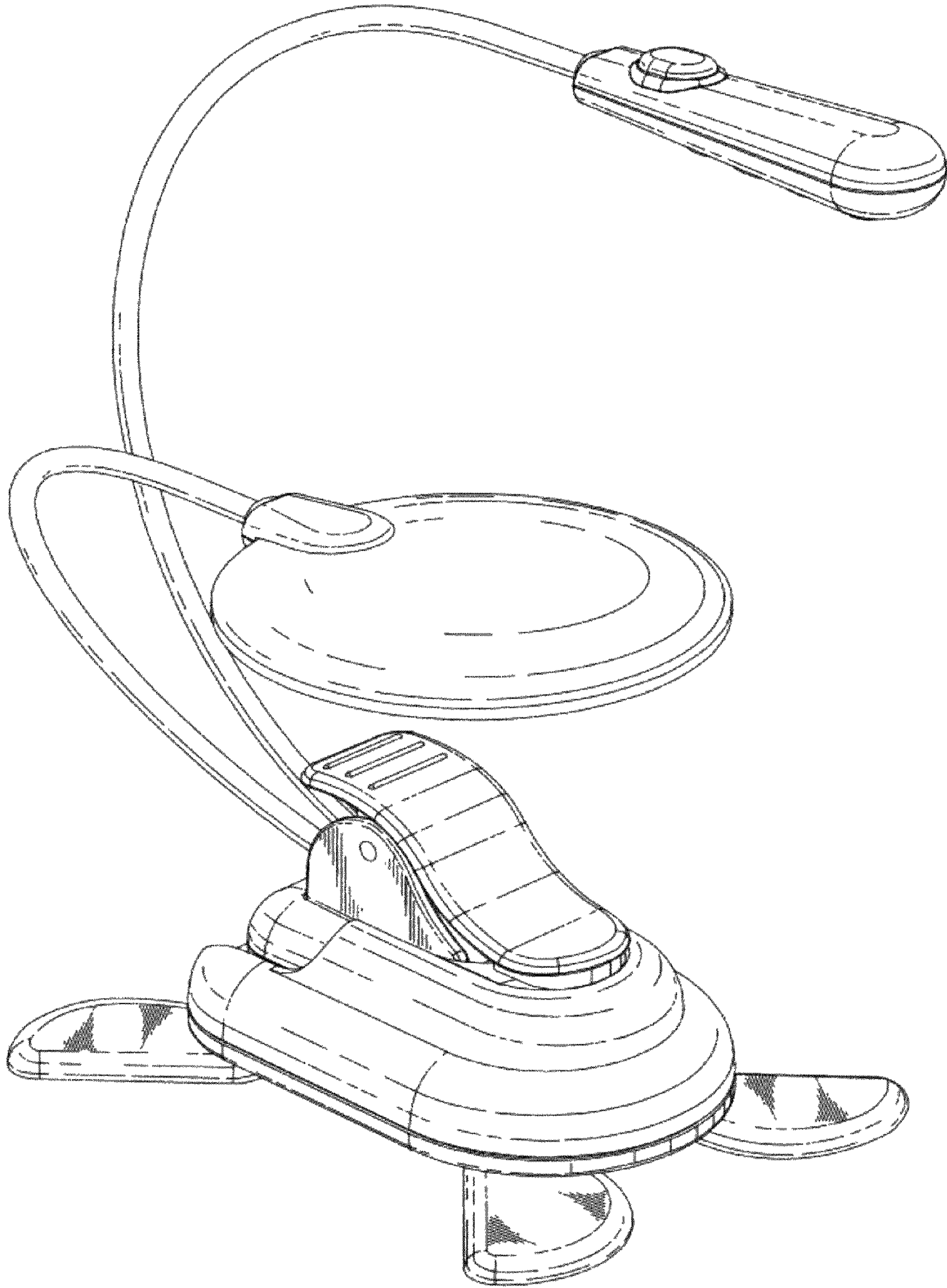


FIG. 1

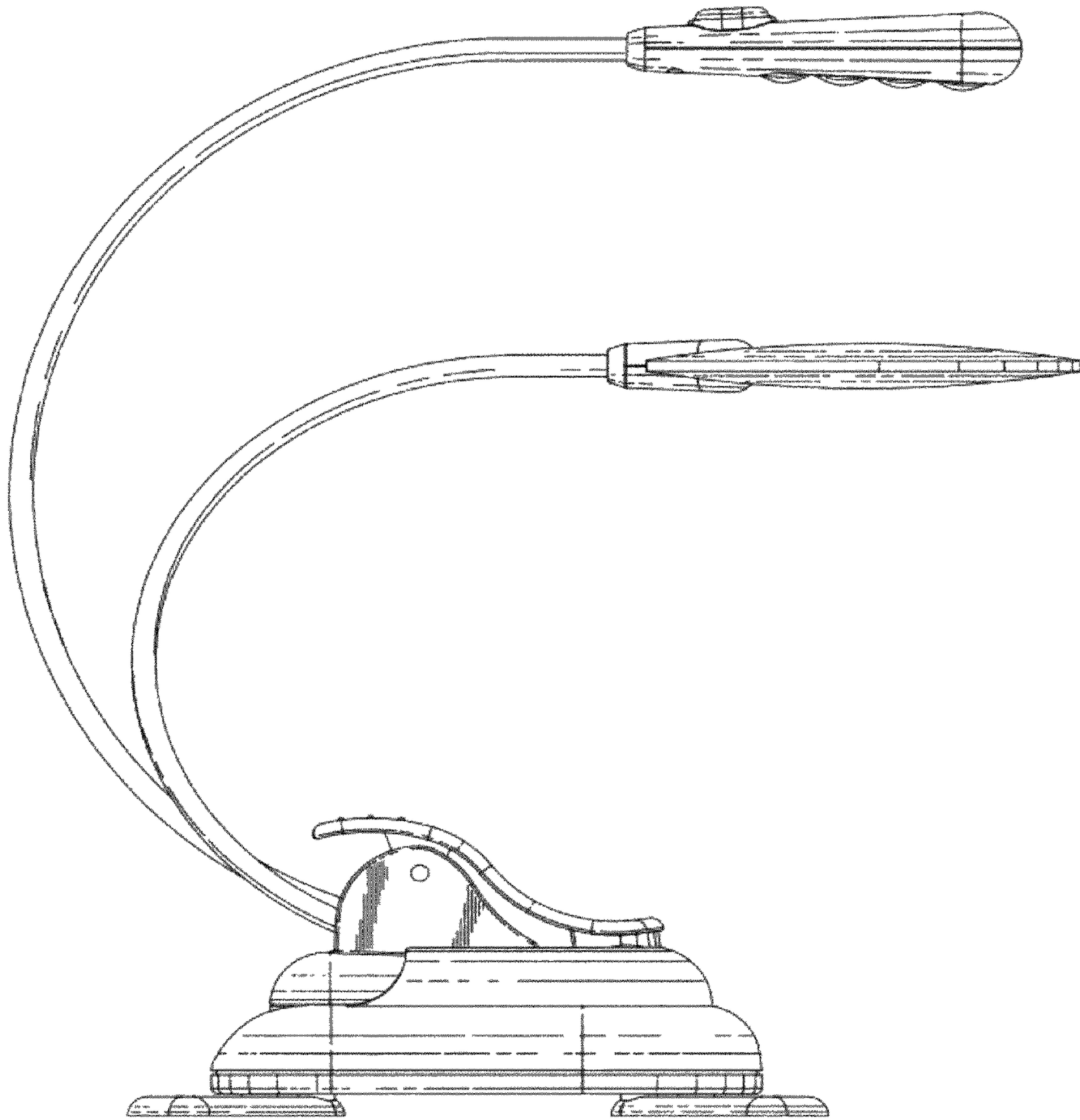


FIG. 2

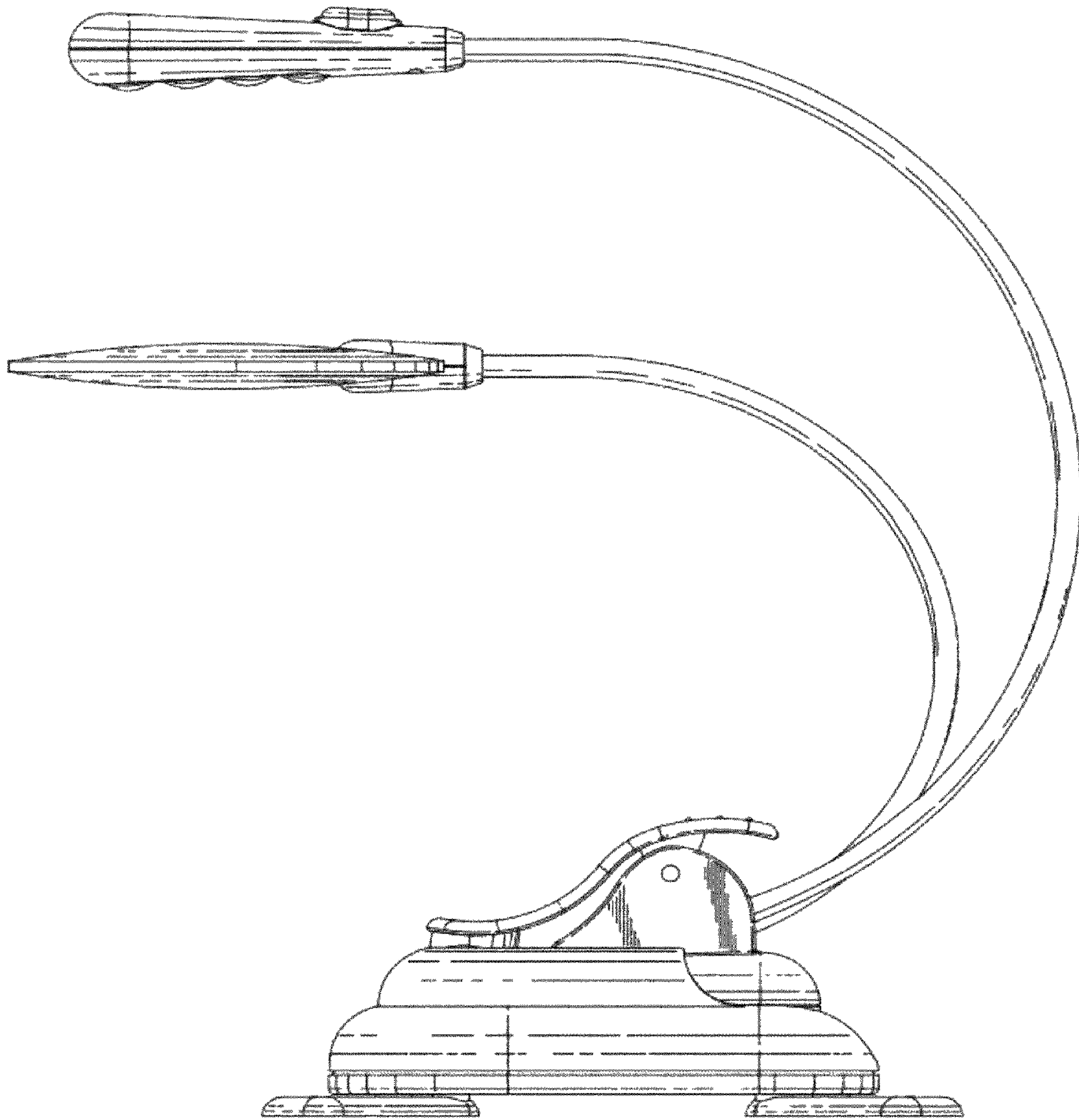


FIG. 3

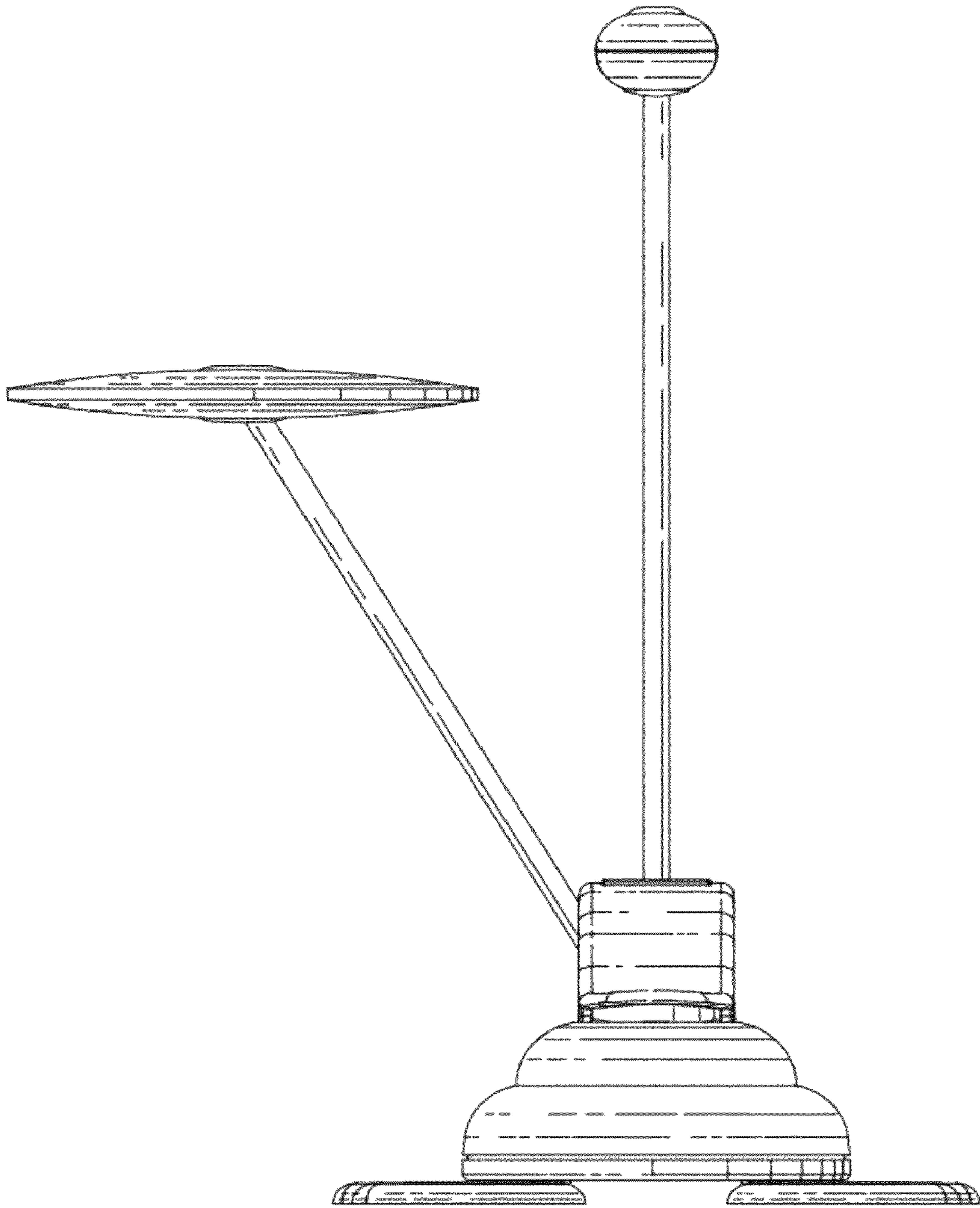


FIG. 4

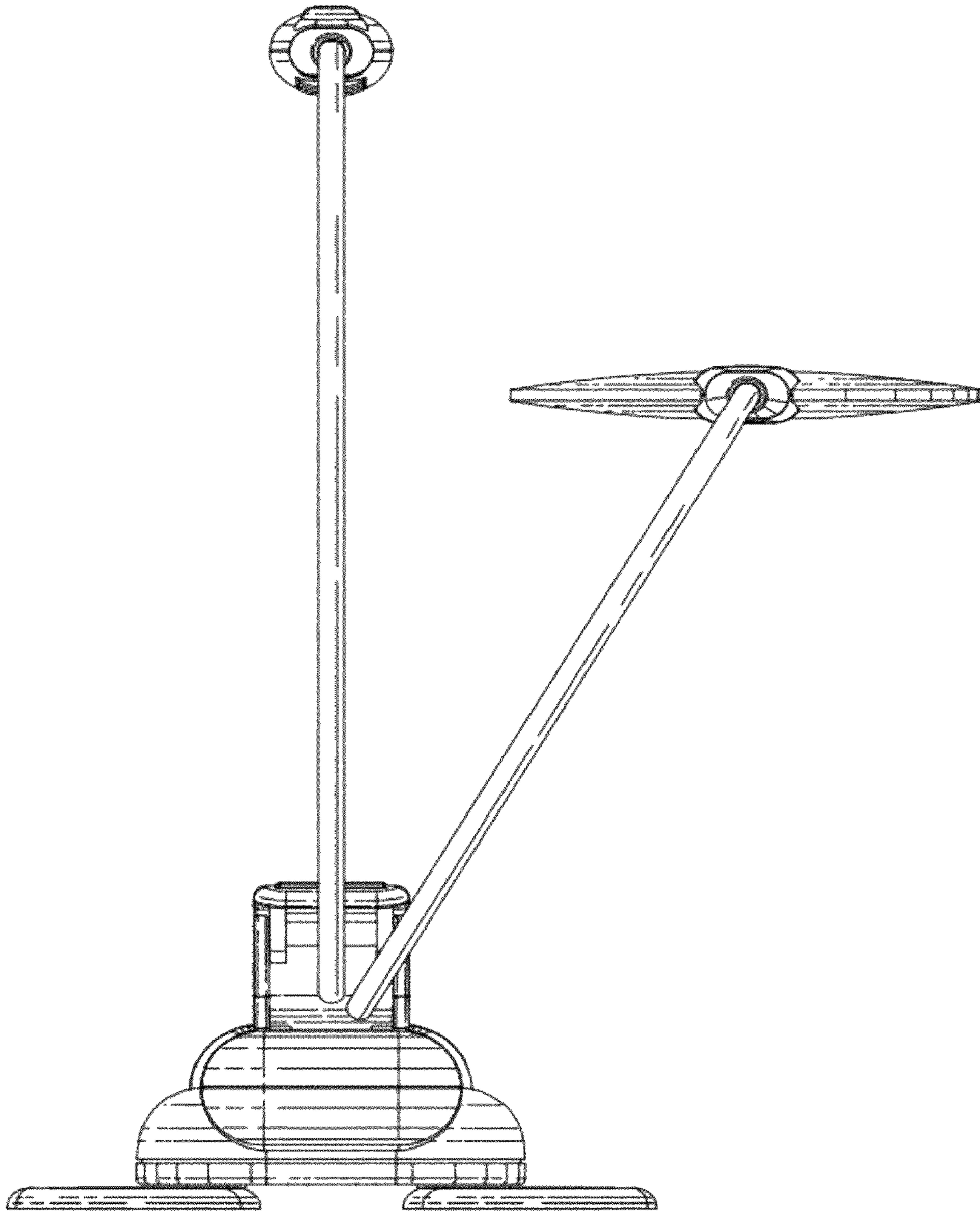


FIG. 5

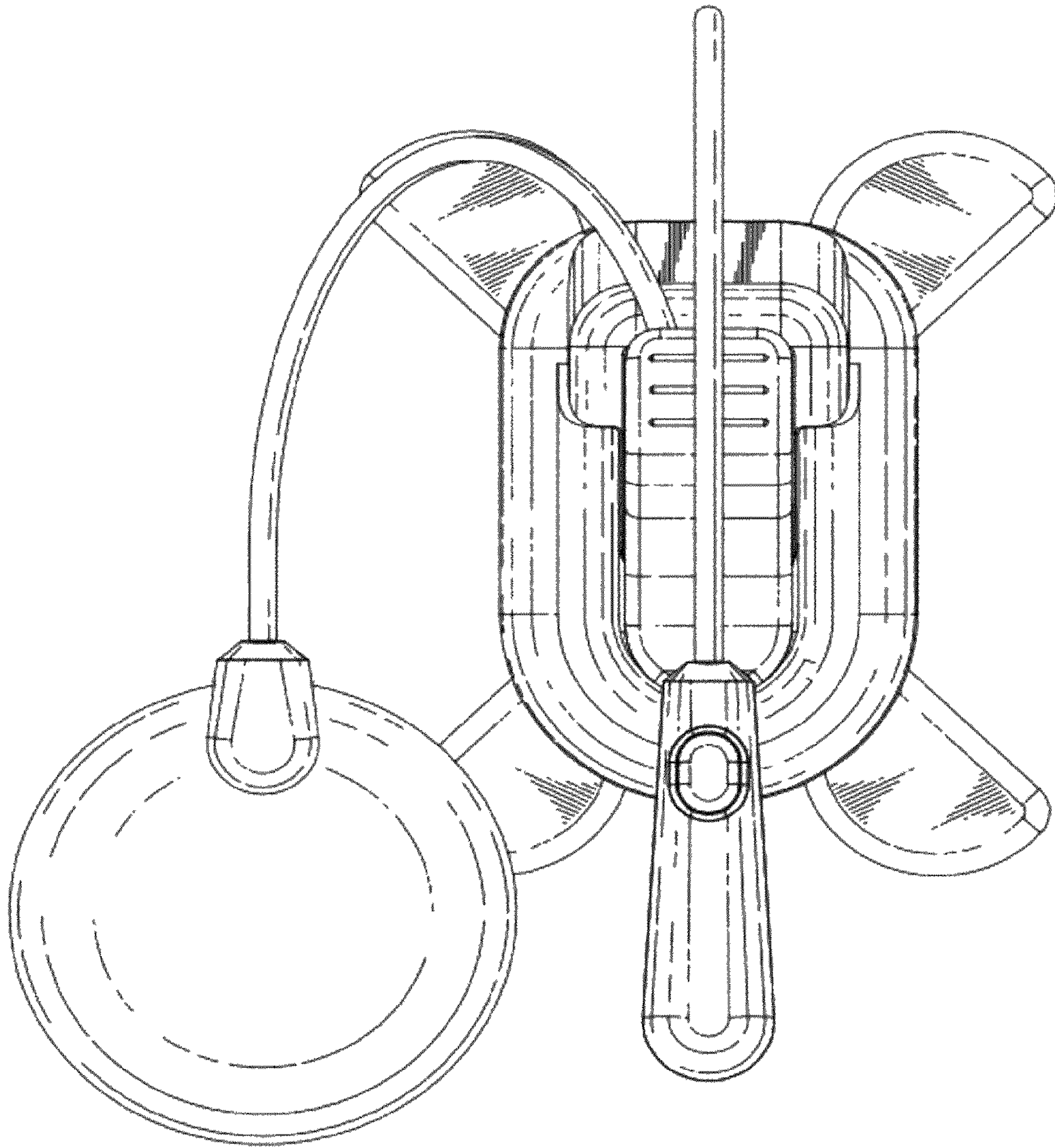


FIG. 6

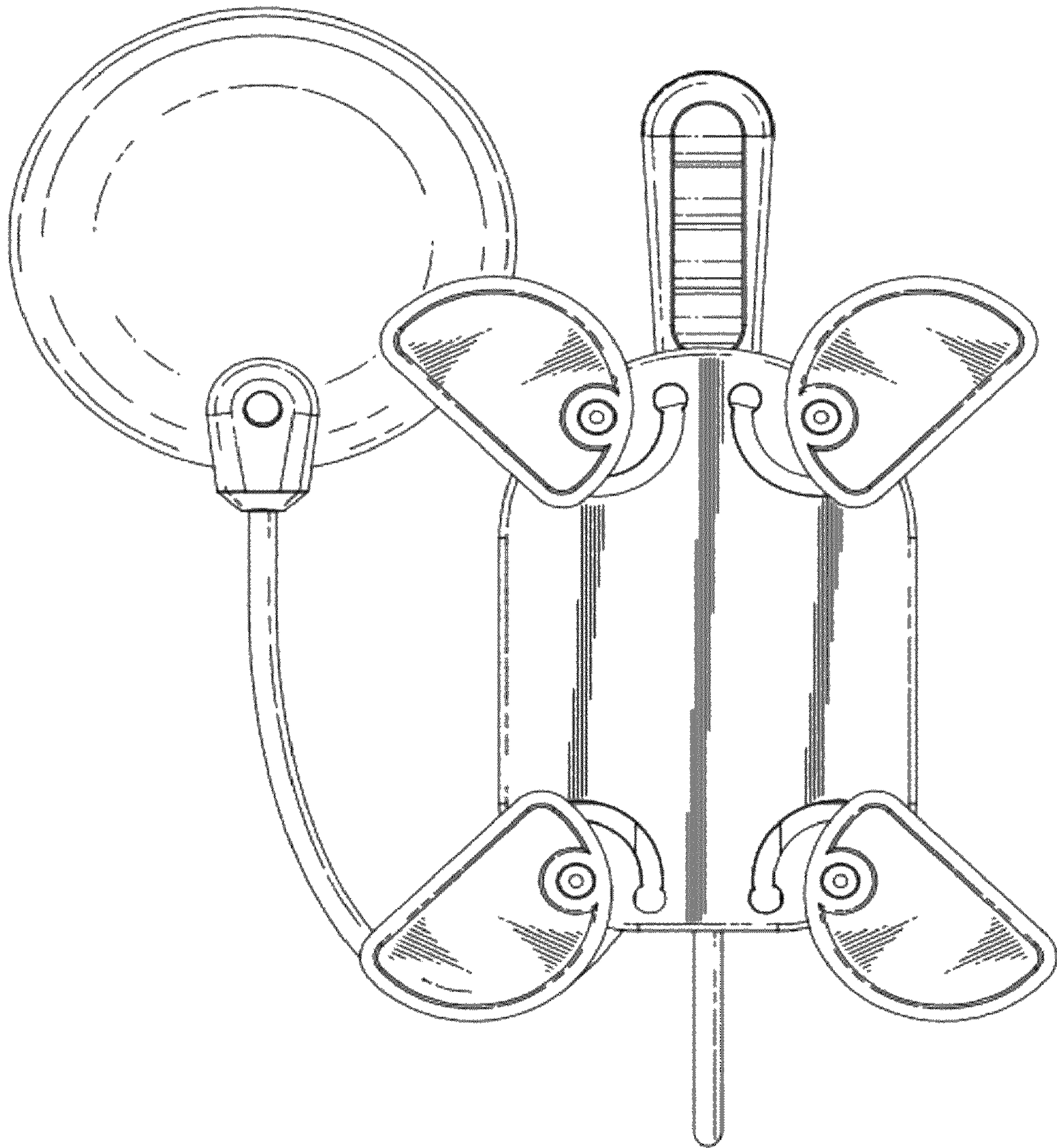


FIG. 7