



US00D660489S

(12) **United States Design Patent**
Ueda et al.

(10) **Patent No.:** **US D660,489 S**
(45) **Date of Patent:** **** May 22, 2012**

(54) **HEADLAMP FOR A BICYCLE**

(75) Inventors: **Takashi Ueda**, Osaka (JP); **Toshiyuki Nagano**, Osaka (JP); **Yoji Okuda**, Osaka (JP)

(73) Assignee: **Cateye Co., Ltd.**, Osaka (JP)

(**) Term: **14 Years**

(21) Appl. No.: **29/374,616**

(22) Filed: **Sep. 9, 2011**

Related U.S. Application Data

(62) Division of application No. 29/370,863, filed on Sep. 15, 2010, now Pat. No. Des. 646,818.

(30) **Foreign Application Priority Data**

Apr. 7, 2010 (JP) 2010-008762
Apr. 7, 2010 (JP) 2010-008763

(51) **LOC (9) Cl.** **26-05**

(52) **U.S. Cl.** **D26/60**

(58) **Field of Classification Search** D26/60-66,
D26/28-36; 362/473-476, 486, 508, 512,
362/523, 396, 253, 191; D12/114

See application file for complete search history.

(56) **References Cited**

U.S. PATENT DOCUMENTS

D320,462	S	*	10/1991	Williams et al.	D26/28
D355,042	S	*	1/1995	Panagiotou	D26/63
D498,550	S	*	11/2004	Chen	D26/28
6,834,986	B2	*	12/2004	Tsukamoto	362/475
D566,871	S	*	4/2008	Kumthampinij et al.	D26/60
D574,986	S	*	8/2008	Kumthampinij et al.	D26/60
D597,237	S	*	7/2009	Kumthampinij et al.	D26/61

* cited by examiner

Primary Examiner — Susan M Lee

Assistant Examiner — Linda G. Brooks

(74) *Attorney, Agent, or Firm* — Olson & Cepuritis, Ltd.

(57) **CLAIM**

The ornamental design for a headlamp for a bicycle, as shown and described.

DESCRIPTION

FIG. 1 is a front view of a headlamp for a bicycle showing our new design;

FIG. 2 is a rear view thereof;

FIG. 3 is a top plan view thereof;

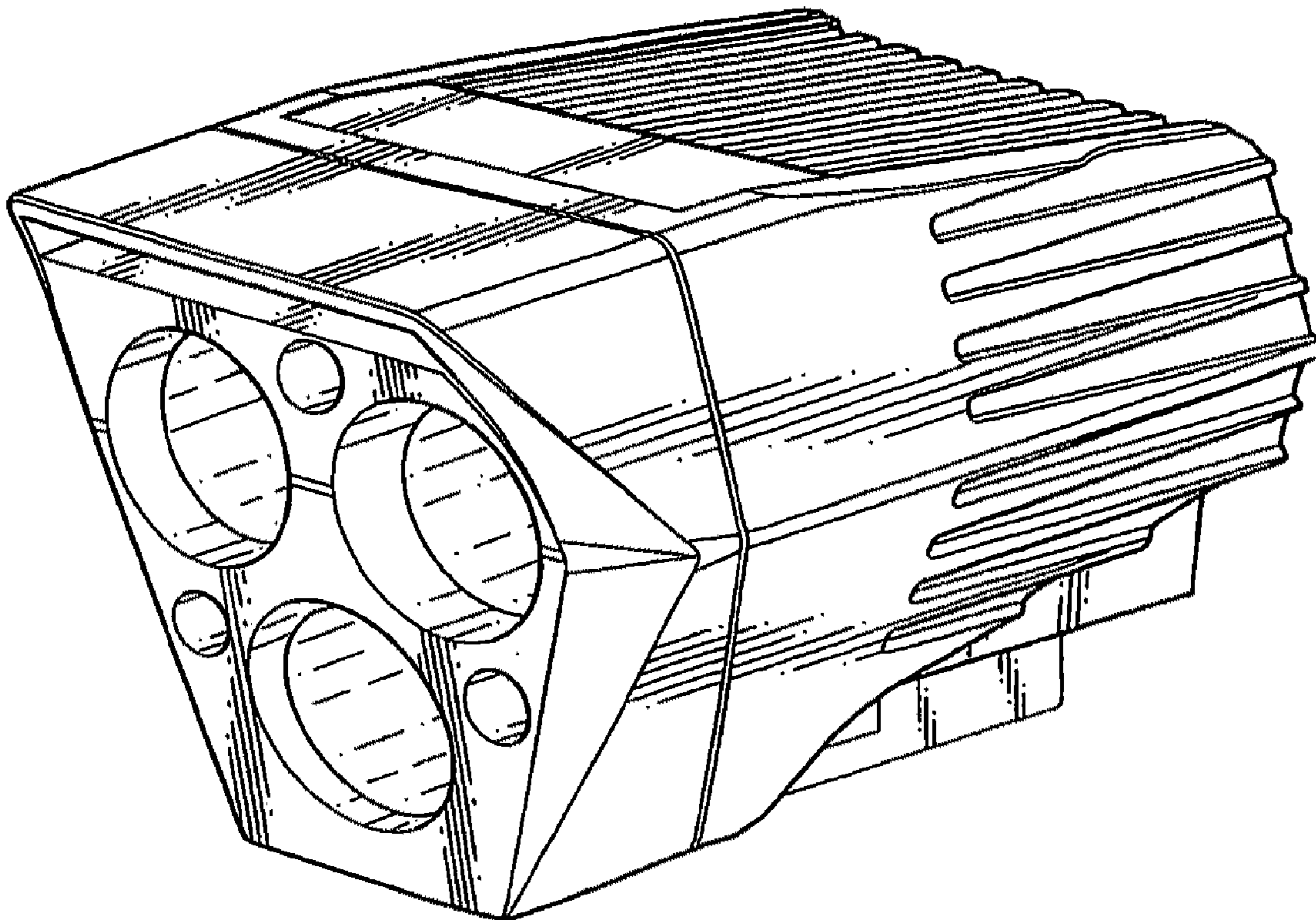
FIG. 4 is a bottom plan view thereof;

FIG. 5 is a right side view thereof;

FIG. 6 is a left side view thereof; and,

FIG. 7 is a perspective view thereof.

1 Claim, 5 Drawing Sheets



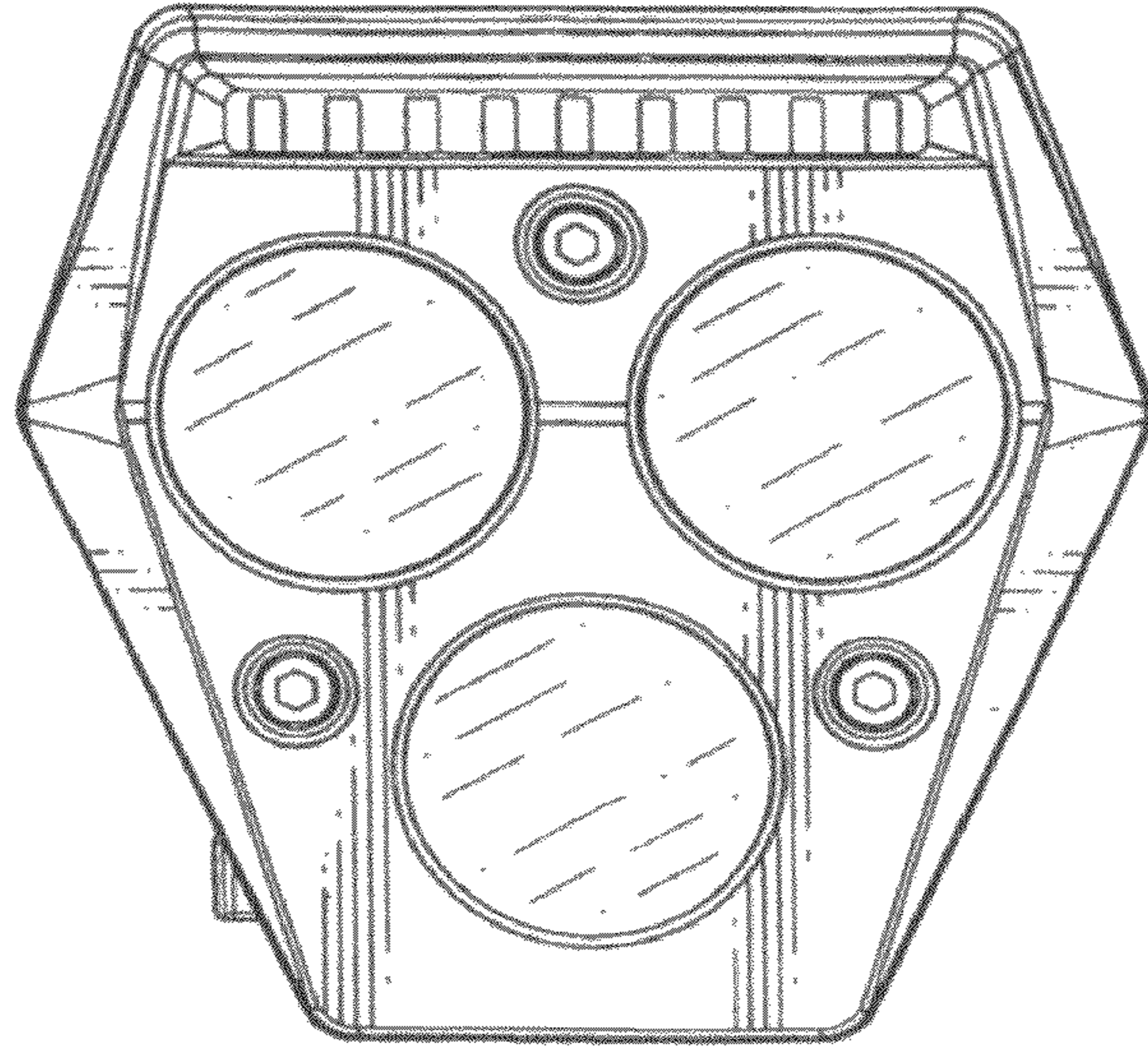


FIG 1

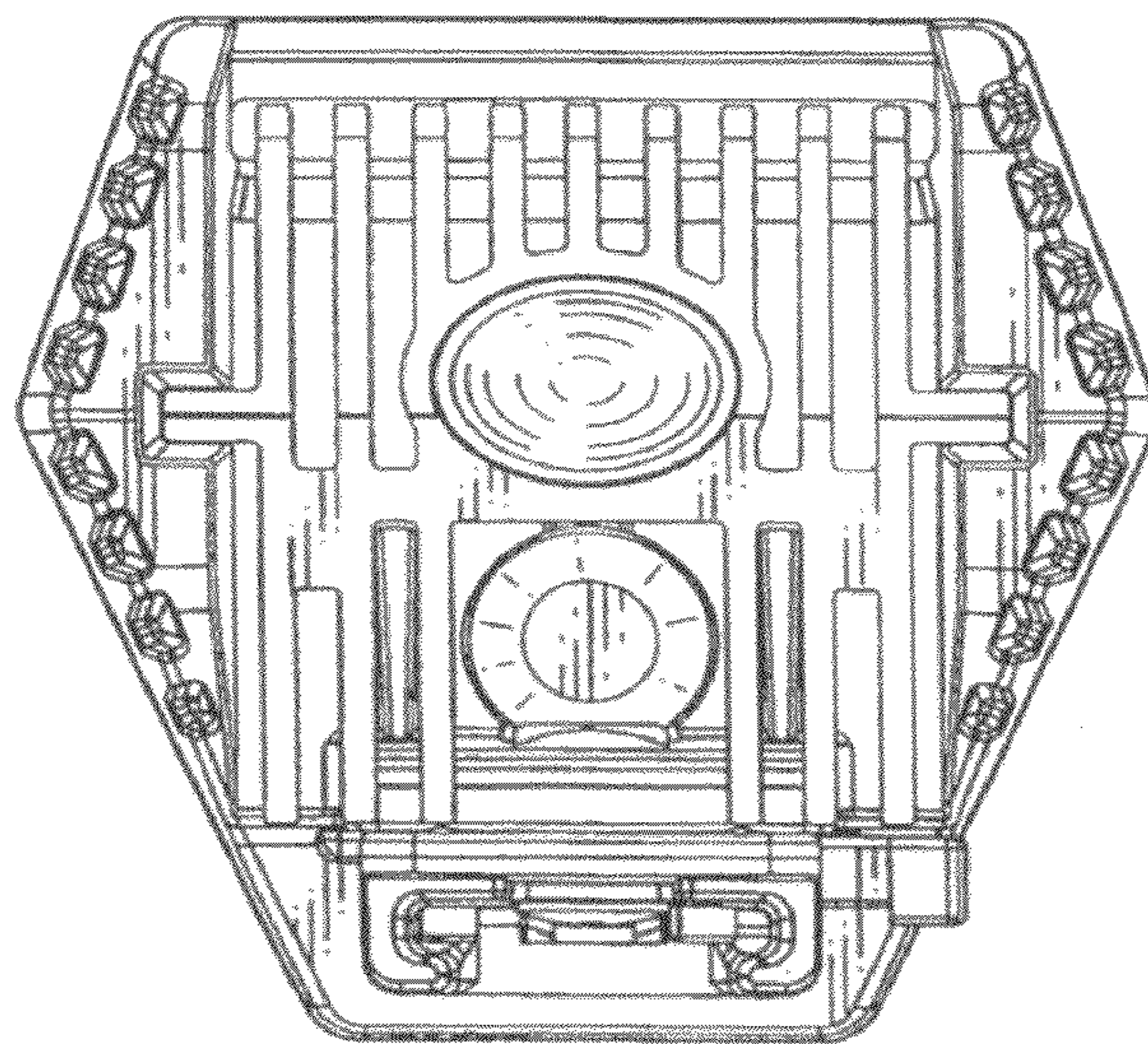


FIG 2

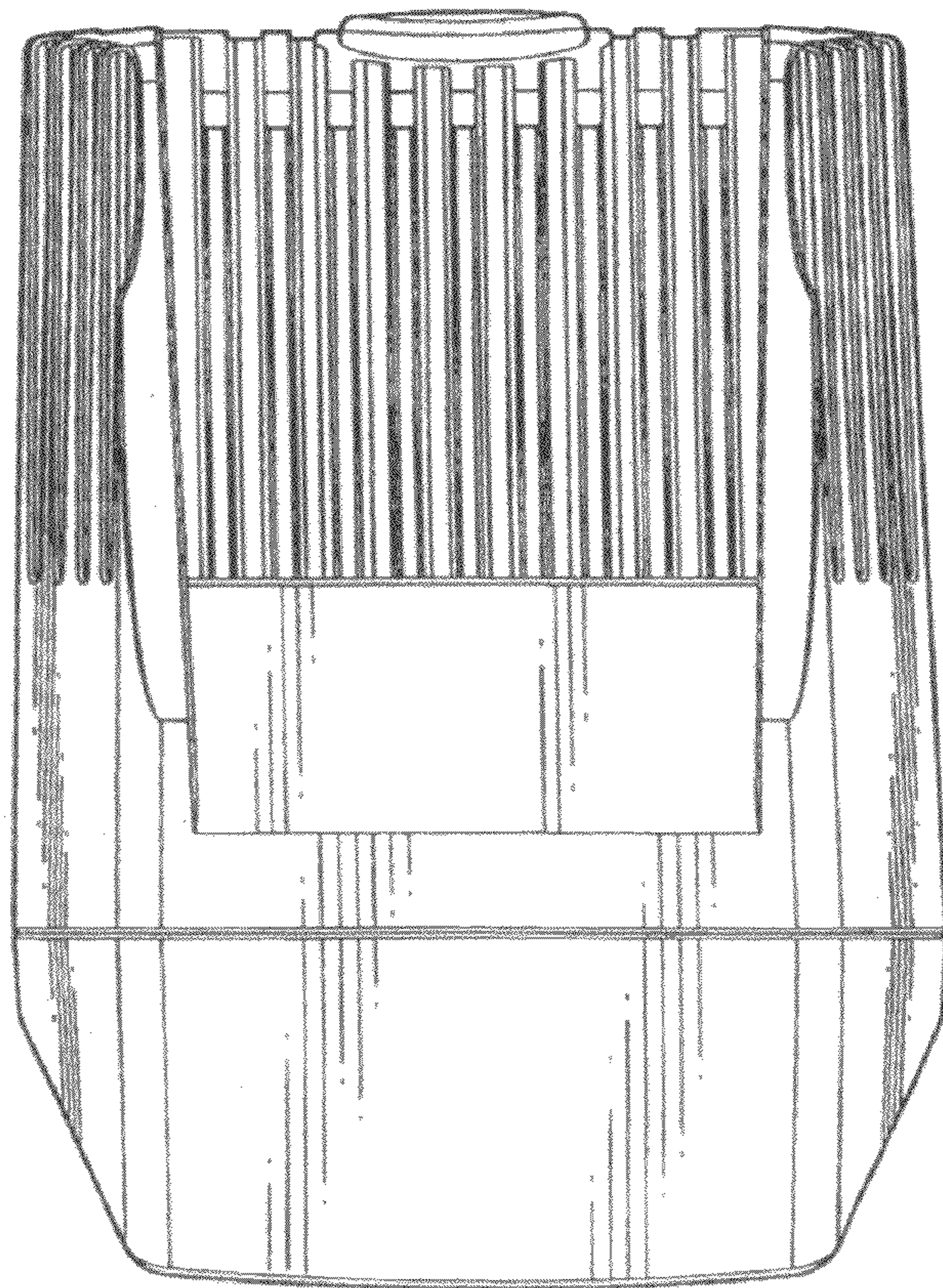


FIG 3

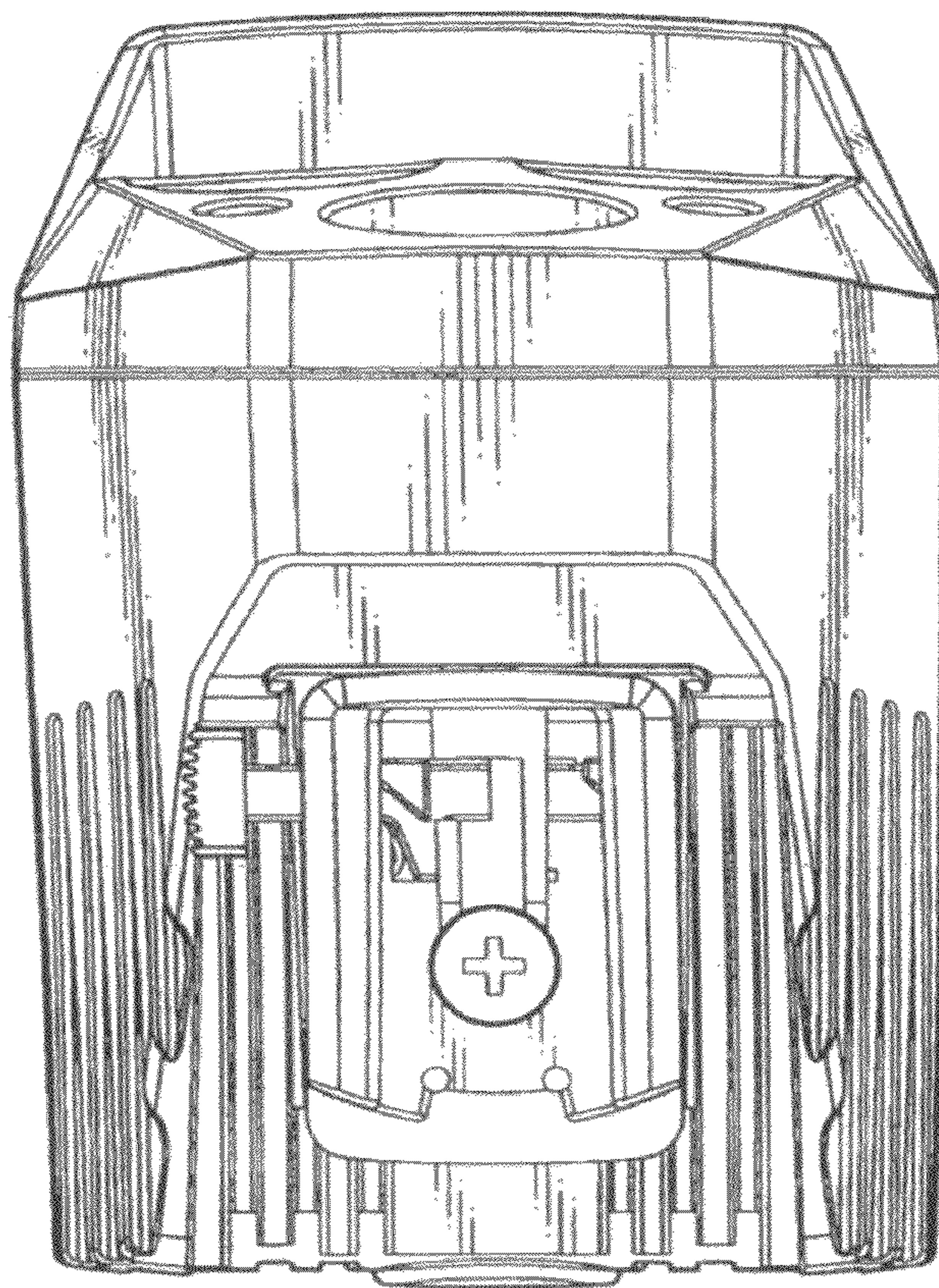


FIG 4

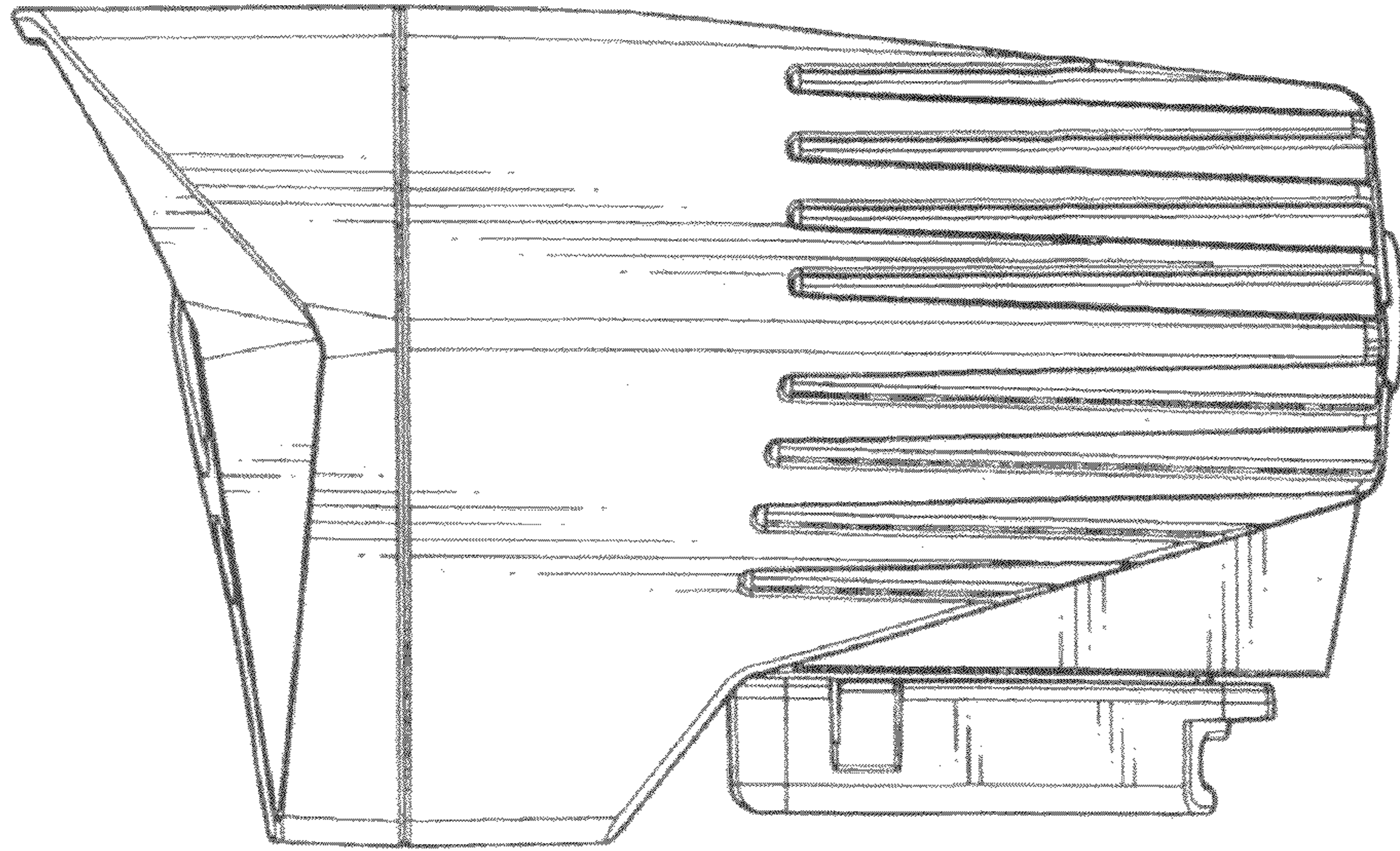


FIG 5

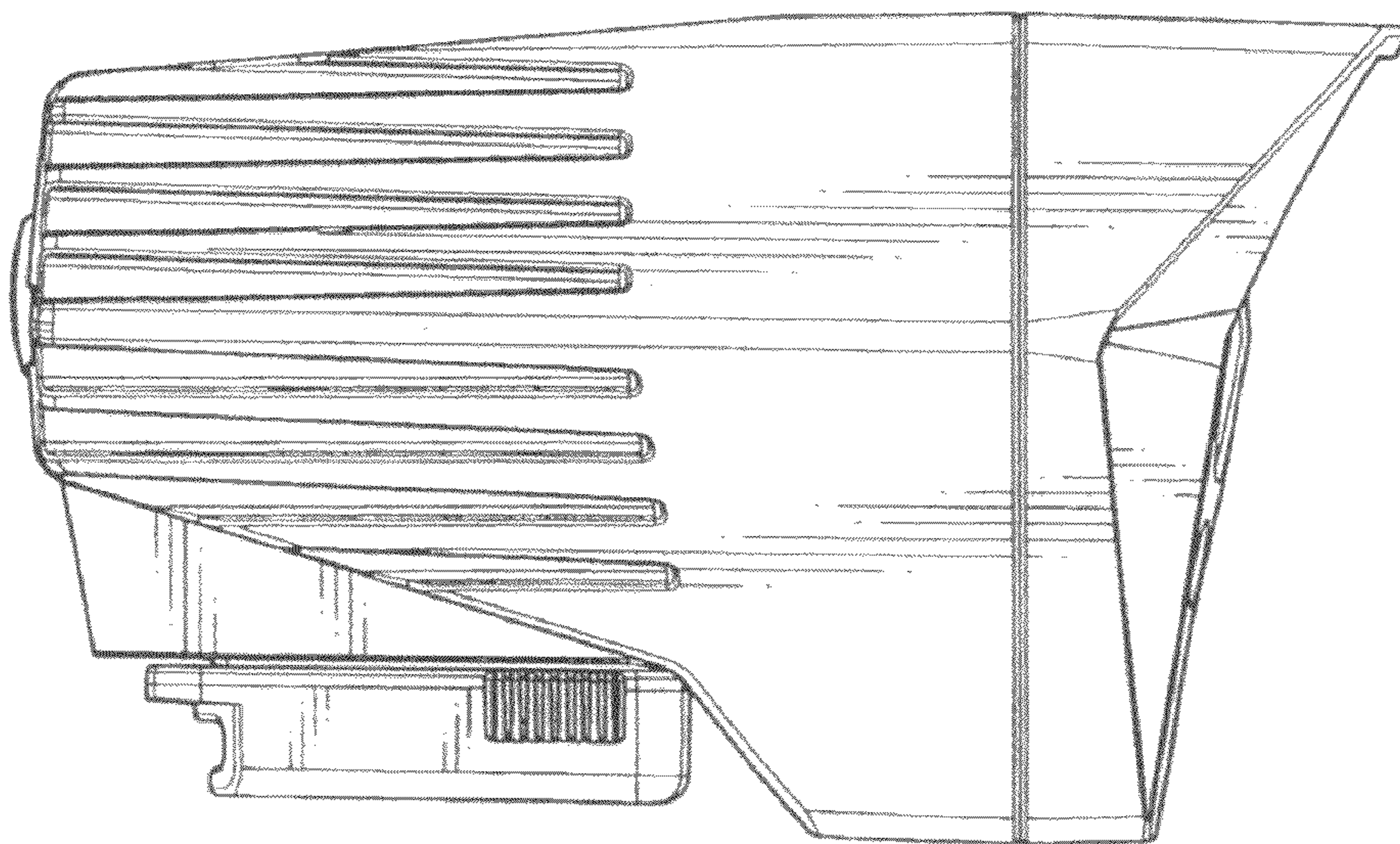


FIG 6

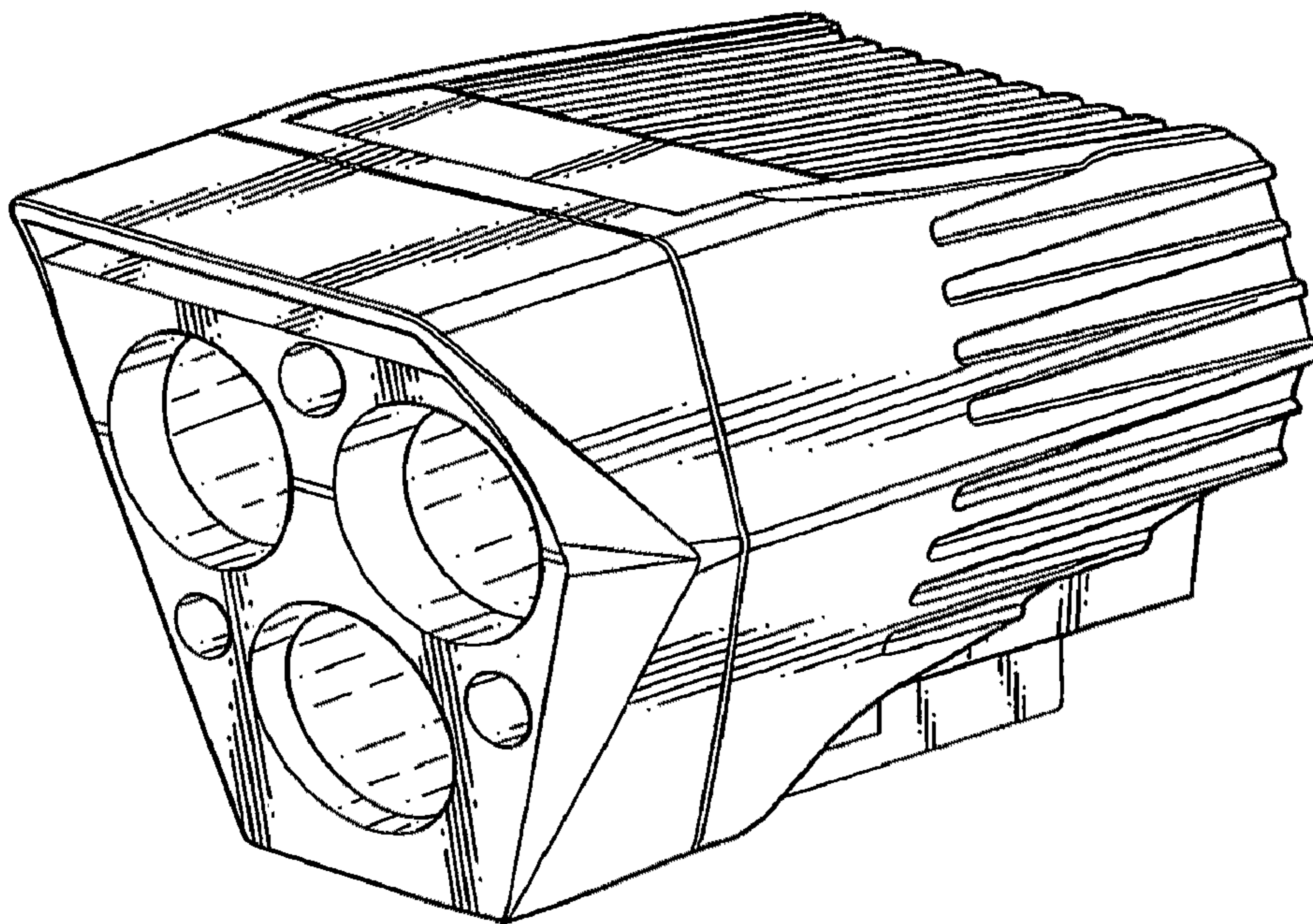


FIG 7