



US00D660488S

(12) **United States Design Patent**  
**Ye**

(10) **Patent No.:** **US D660,488 S**

(45) **Date of Patent:** **\*\* May 22, 2012**

(54) **FLASHLIGHT HEAD**

(76) Inventor: **Xiangang Ye**, Foshan (CN)

(\*\*) Term: **14 Years**

(21) Appl. No.: **29/386,101**

(22) Filed: **Feb. 24, 2011**

(51) **LOC (9) Cl.** ..... **26-02**

(52) **U.S. Cl.** ..... **D26/49**

(58) **Field of Classification Search** ..... D26/37,  
D26/38, 39, 46, 49; 362/157, 158, 183, 184,  
362/194-208

See application file for complete search history.

(56) **References Cited**

**U.S. PATENT DOCUMENTS**

D544,621	S	*	6/2007	Kim	.....	D26/37
7,278,764	B2	*	10/2007	Kim	.....	362/382
D560,295	S	*	1/2008	Parsons et al.	.....	D26/37
D574,984	S	*	8/2008	Hesse et al.	.....	D26/37
D585,577	S	*	1/2009	Bonis	.....	D26/49
D586,025	S	*	2/2009	Bonis	.....	D26/49
D592,338	S	*	5/2009	Bushee	.....	D26/37
D605,319	S	*	12/2009	Devaney et al.	.....	D26/39

D644,775 S \* 9/2011 Nguyen et al. .... D26/49  
D645,592 S \* 9/2011 Brands et al. .... D26/49

\* cited by examiner

*Primary Examiner* — Ian Simmons

*Assistant Examiner* — Carissa C Fitts

(74) *Attorney, Agent, or Firm* — Brinks Hofer Gilson & Lione

(57) **CLAIM**

I claim the ornamental design for a flashlight head, as shown and described.

**DESCRIPTION**

FIG. 1 is a front view showing my new design for a flashlight head;

FIG. 2 is a bottom plan view thereof;

FIG. 3 is a top plan view thereof;

FIG. 4 is a right side view thereof;

FIG. 5 is a left side view thereof;

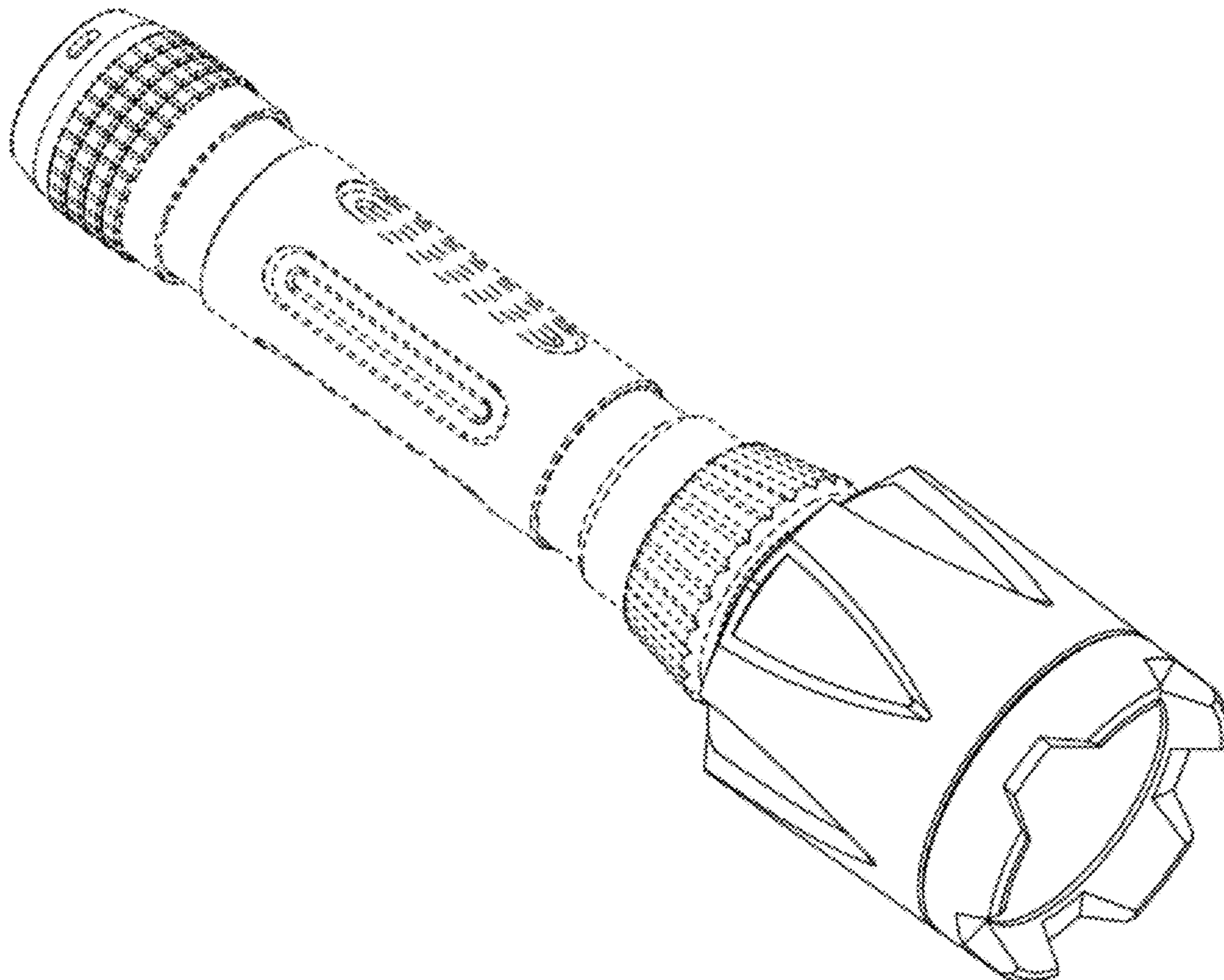
FIG. 6 is a rear view thereof;

FIG. 7 is a perspective view thereof; and,

FIG. 8 is another perspective view thereof.

The broken lines in the drawing figures are for illustrative purposes only and do not form a part of the claimed design.

**1 Claim, 8 Drawing Sheets**



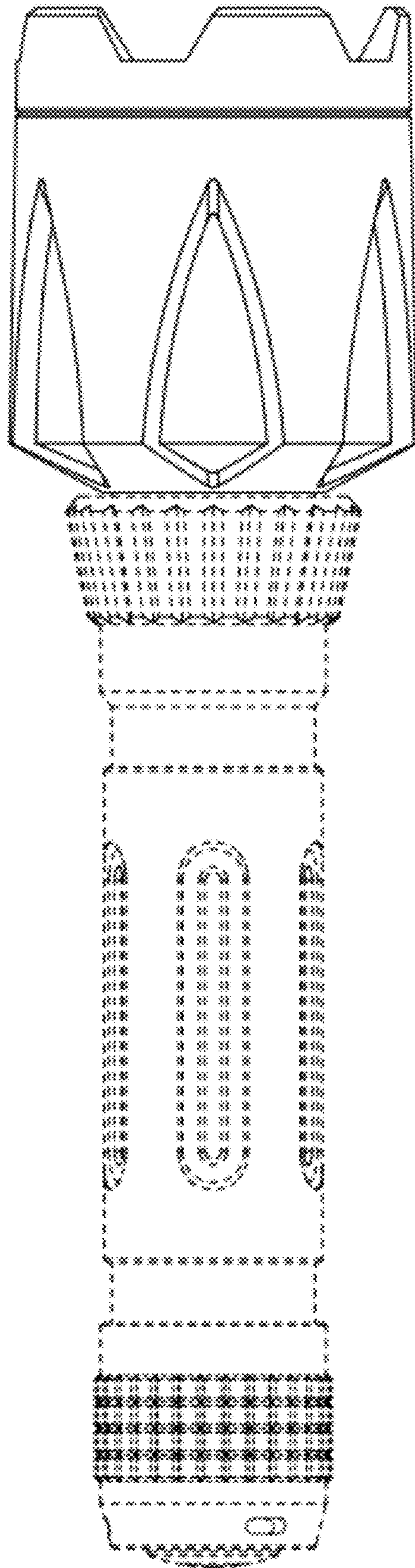


FIG. 1

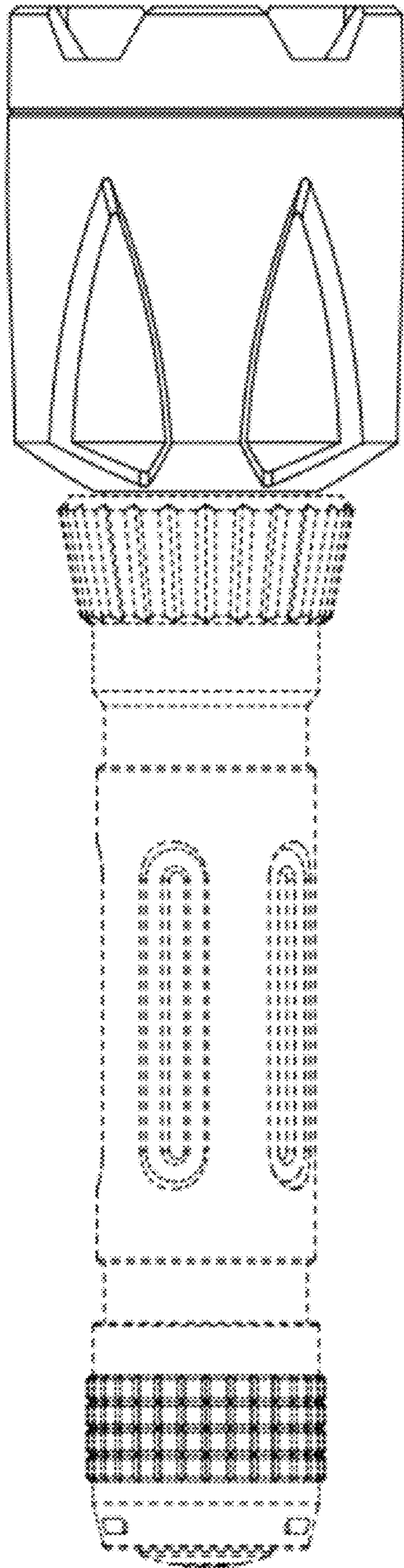


FIG. 2

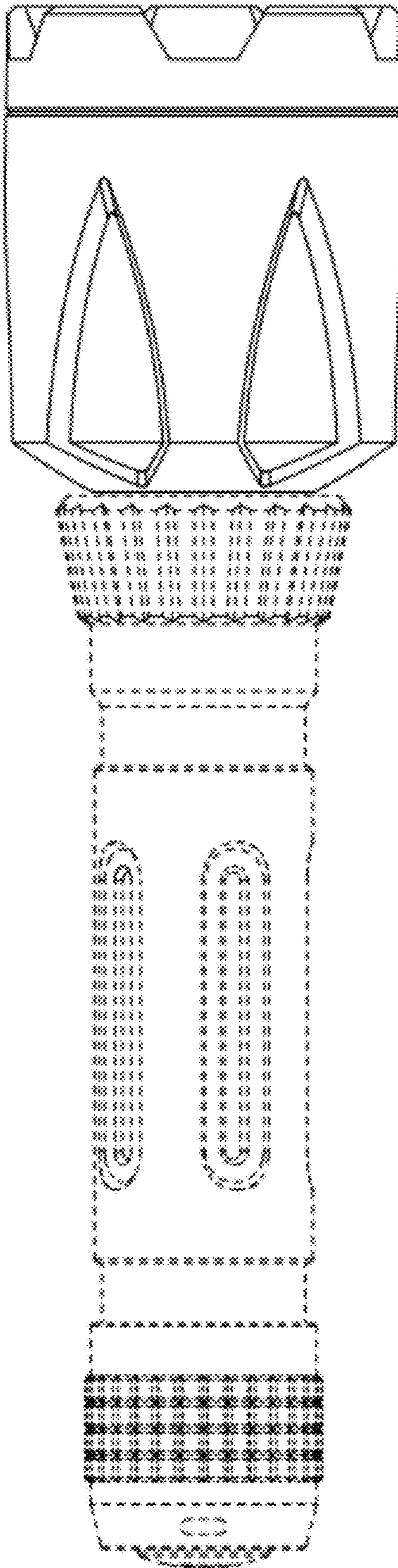


FIG. 3

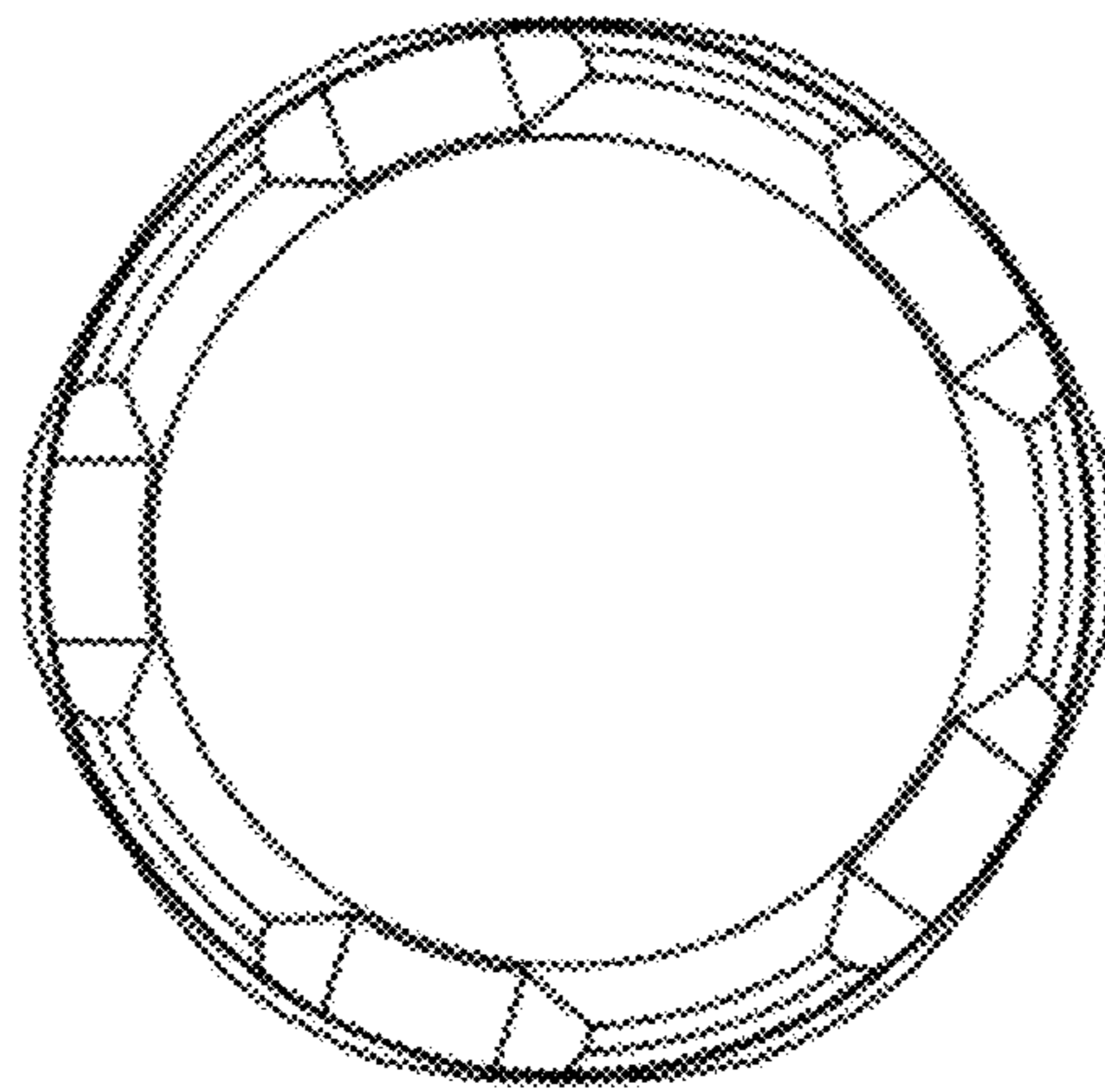


FIG. 4

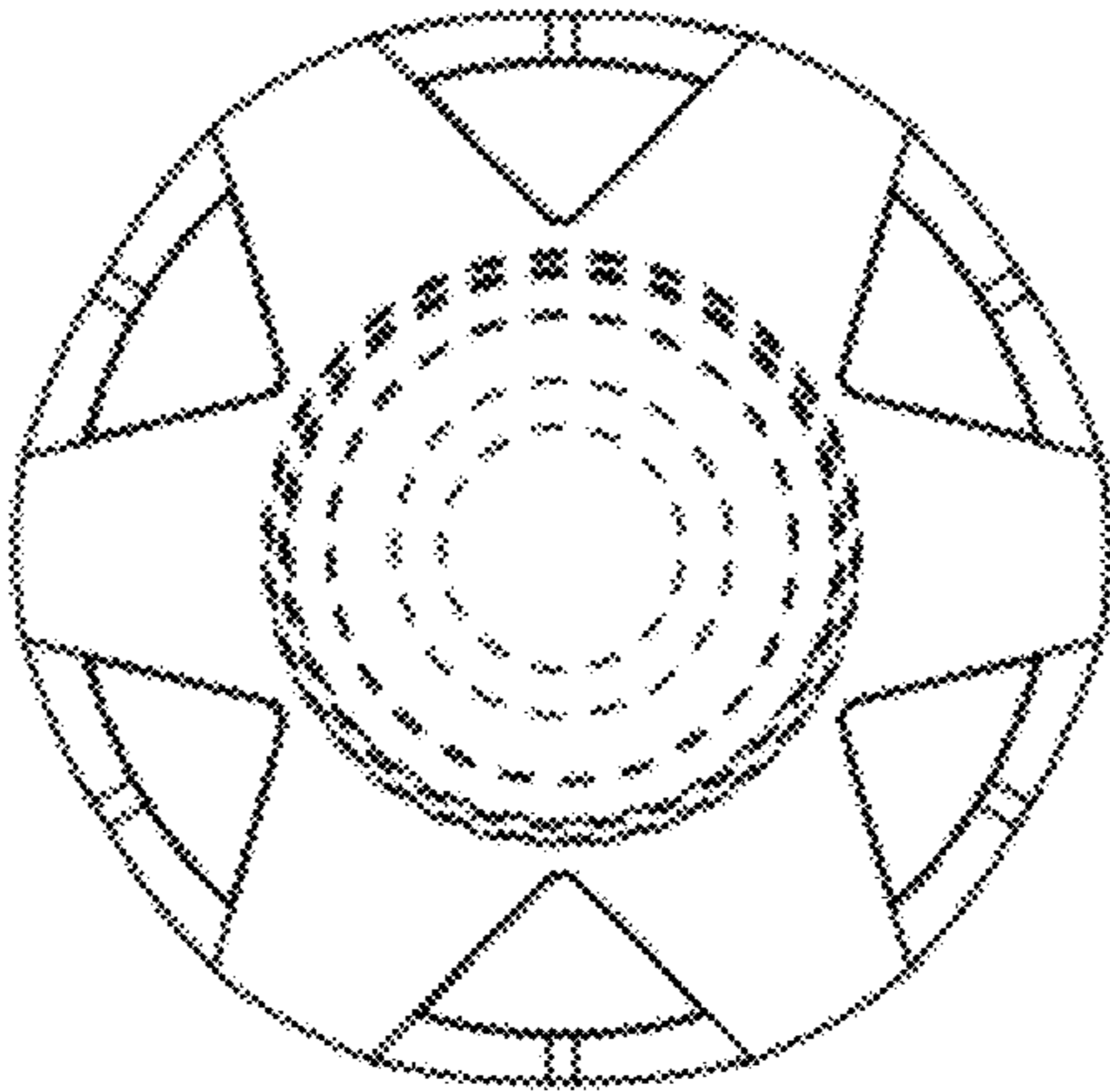


FIG. 5

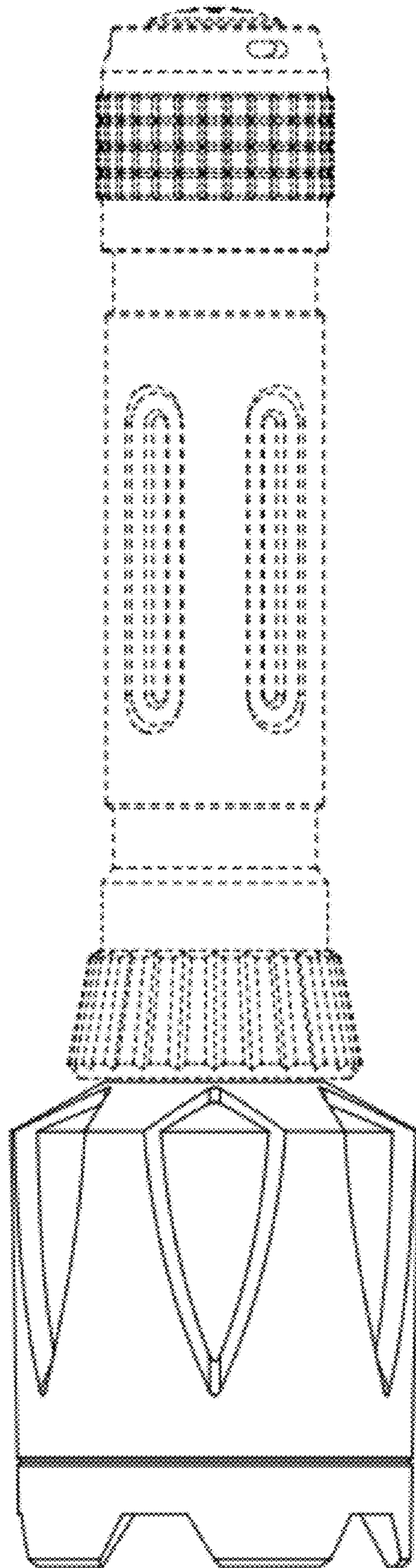


FIG. 6

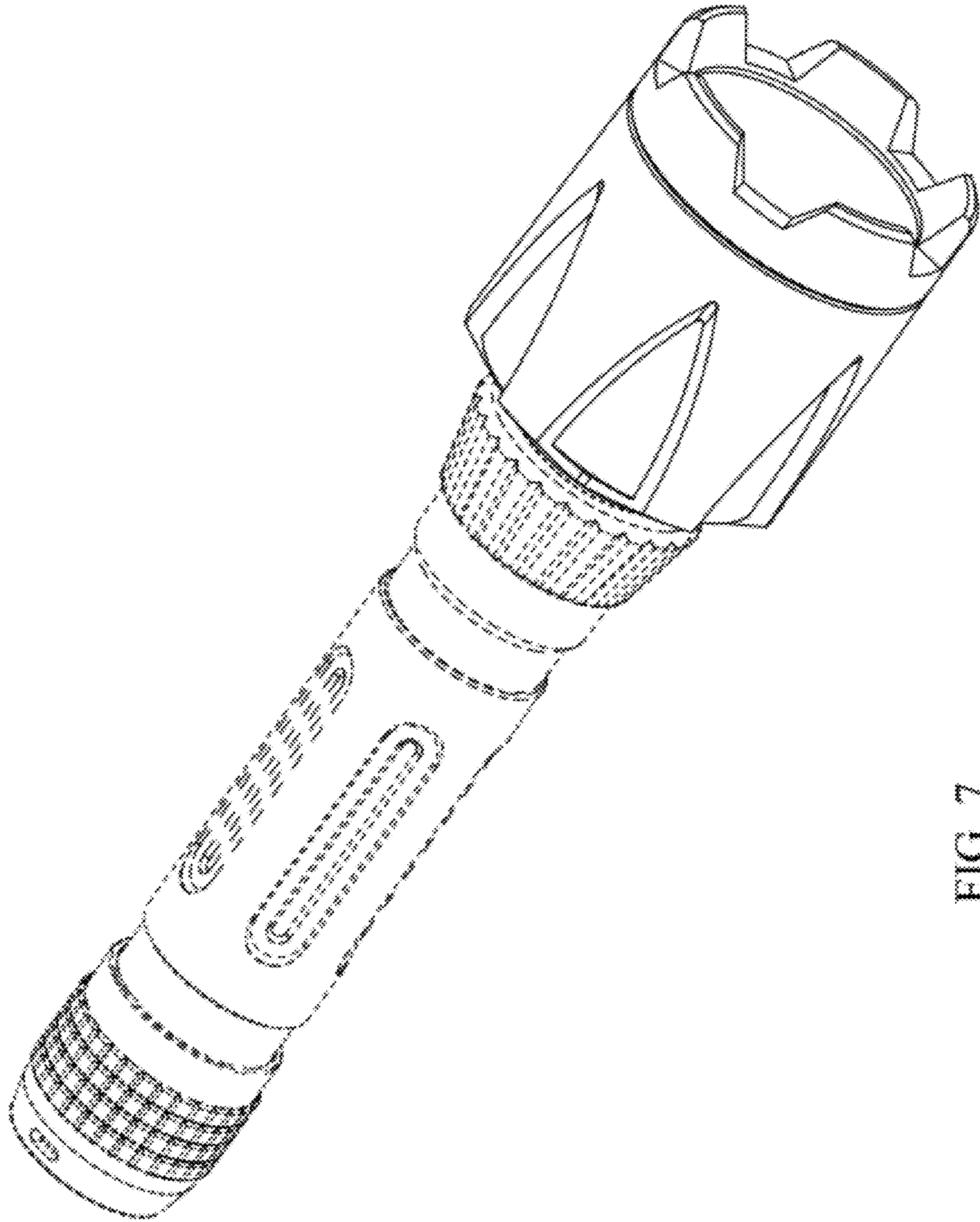


FIG. 7



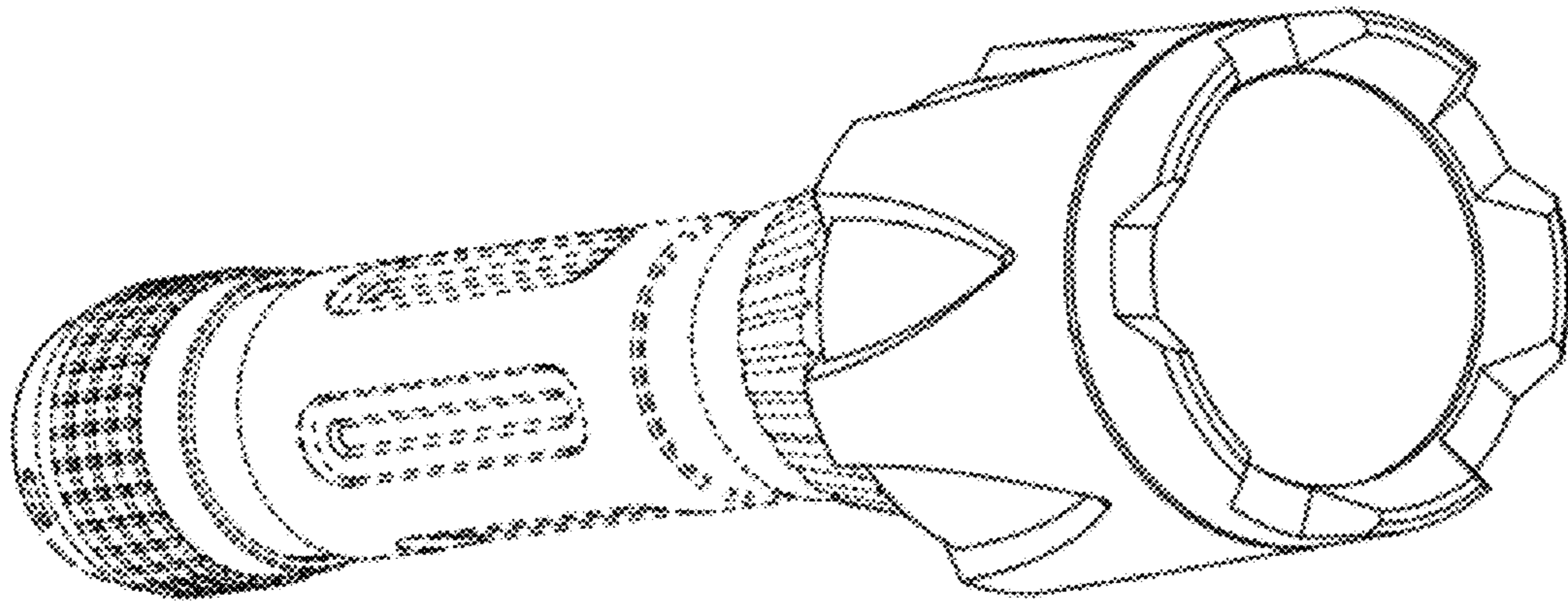


FIG. 8

UNITED STATES PATENT AND TRADEMARK OFFICE  
**CERTIFICATE OF CORRECTION**

PATENT NO. : D660,488 S  
APPLICATION NO. : 29/386101  
DATED : May 22, 2012  
INVENTOR(S) : Xiangang Ye

Page 1 of 1

It is certified that error appears in the above-identified patent and that said Letters Patent is hereby corrected as shown below:

Title page, left column, below “(22) Filed: February 24, 2011”, insert

--(30) **Foreign Application Priority Data**

Sep. 27, 2010 (CN).....2010 3 0537739.9.--

Signed and Sealed this  
Twenty-eighth Day of August, 2012

A handwritten signature in black ink that reads "David J. Kappos". The signature is written in a cursive, slightly slanted style.

David J. Kappos  
*Director of the United States Patent and Trademark Office*