

US00D660486S

(12) **United States Design Patent**
Kamiura

(10) **Patent No.:** **US D660,486 S**

(45) **Date of Patent:** **** May 22, 2012**

(54) **COMBINATION LAMP FOR AN
AUTOMOBILE**

(75) Inventor: **Shin Kamiura**, Toyota (JP)

(73) Assignee: **Toyota Jidosha Kabushiki Kaisha** (JP)

(**) Term: **14 Years**

(21) Appl. No.: **29/388,416**

(22) Filed: **Mar. 29, 2011**

(51) **LOC (9) Cl.** **26-06**

(52) **U.S. Cl.** **D26/28**

(58) **Field of Classification Search** D26/28-36;
362/359-368, 375-378, 385-387

See application file for complete search history.

(56) **References Cited**

U.S. PATENT DOCUMENTS

D556,349 S *	11/2007	Golden et al.	D26/28
D560,291 S *	1/2008	Koyama	D26/28
D561,358 S *	2/2008	Tachibana	D26/28
D634,867 S *	3/2011	Frenzel et al.	D26/28

OTHER PUBLICATIONS

Lexus, Lexus LS600h L, http://www.netcarshow.com/lexus/2008-ls_600h_1/800x600/wallpaper_19.htm, available at least as early as 2008.

Lexus, Lexus RX450h, http://www.netcarshow.com/lexus/2010-rx_350/800x600/wallpaper_42.htm, available at least as early as 2010.

* cited by examiner

Primary Examiner — Marcus Jackson

(74) *Attorney, Agent, or Firm* — SAIDMAN DesignLaw Group

(57) **CLAIM**

The ornamental design for a combination lamp for an automobile, as shown and described.

DESCRIPTION

FIG. 1 is a front, left perspective view of a combination lamp for an automobile showing my new design;

FIG. 2 is a front view thereof;

FIG. 3 is a rear view thereof;

FIG. 4 is a top view thereof;

FIG. 5 is a bottom view thereof;

FIG. 6 is a left side view thereof; and,

FIG. 7 is a right side view thereof.

1 Claim, 3 Drawing Sheets





FIG. 1

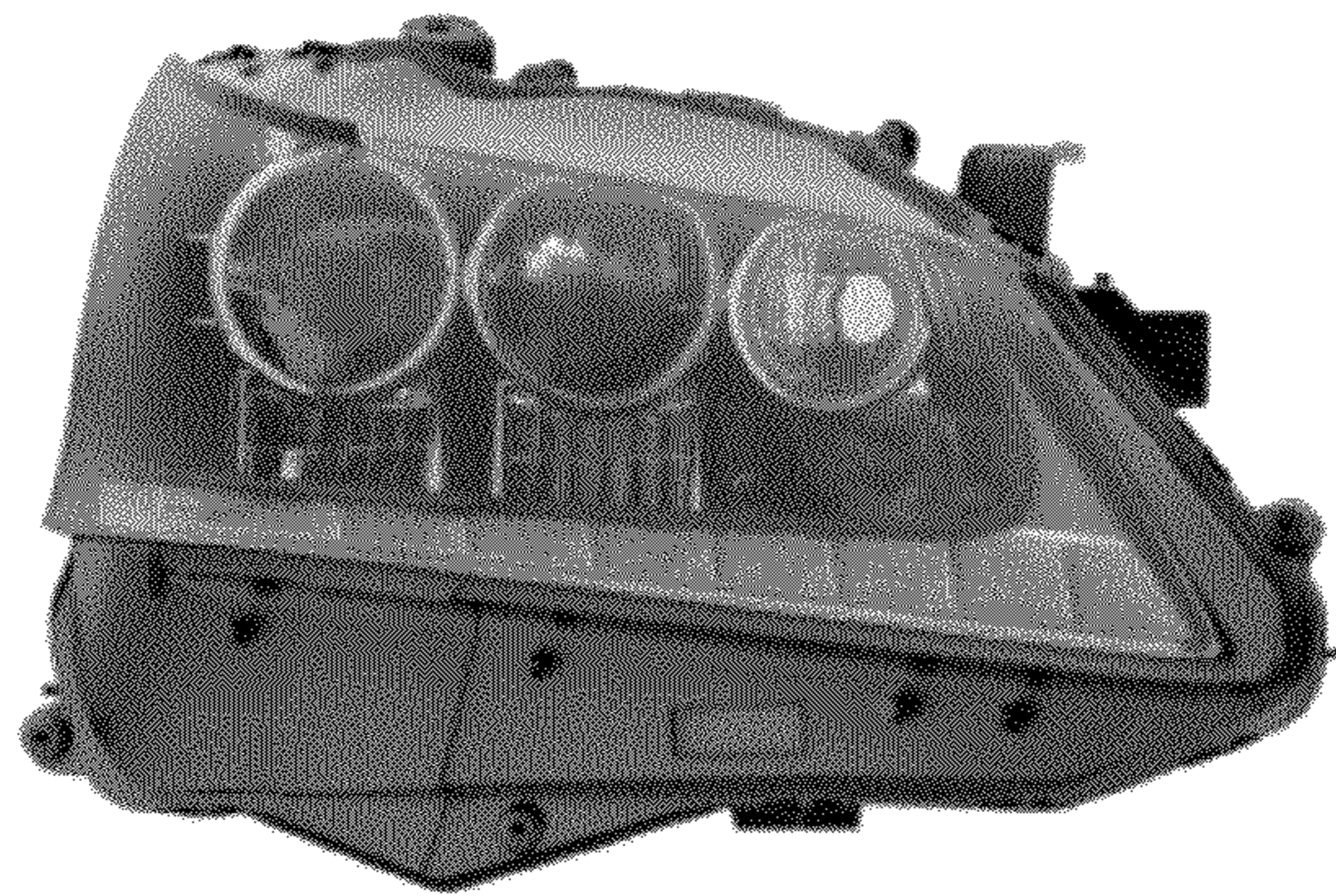


FIG. 2

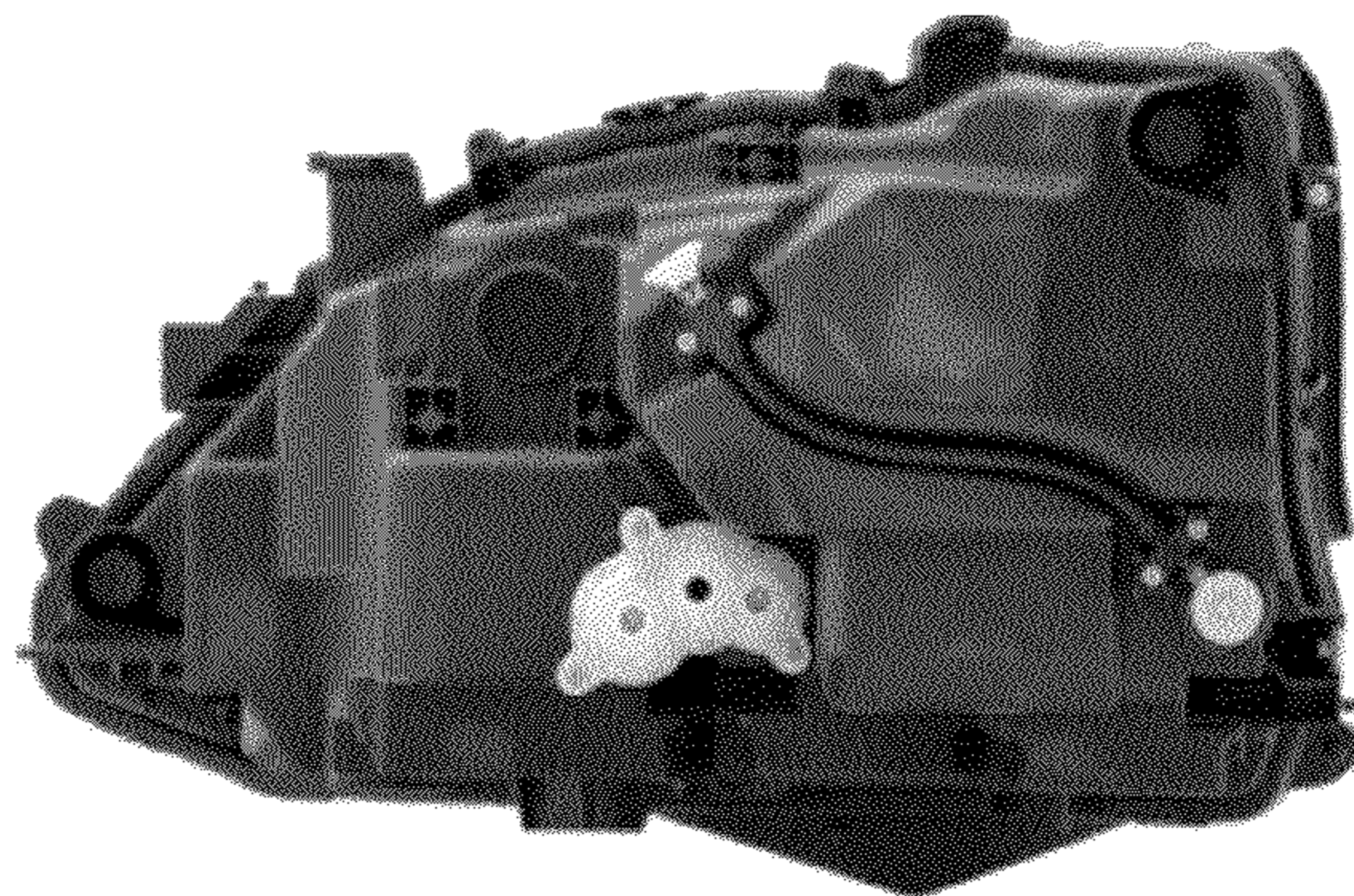


FIG. 3

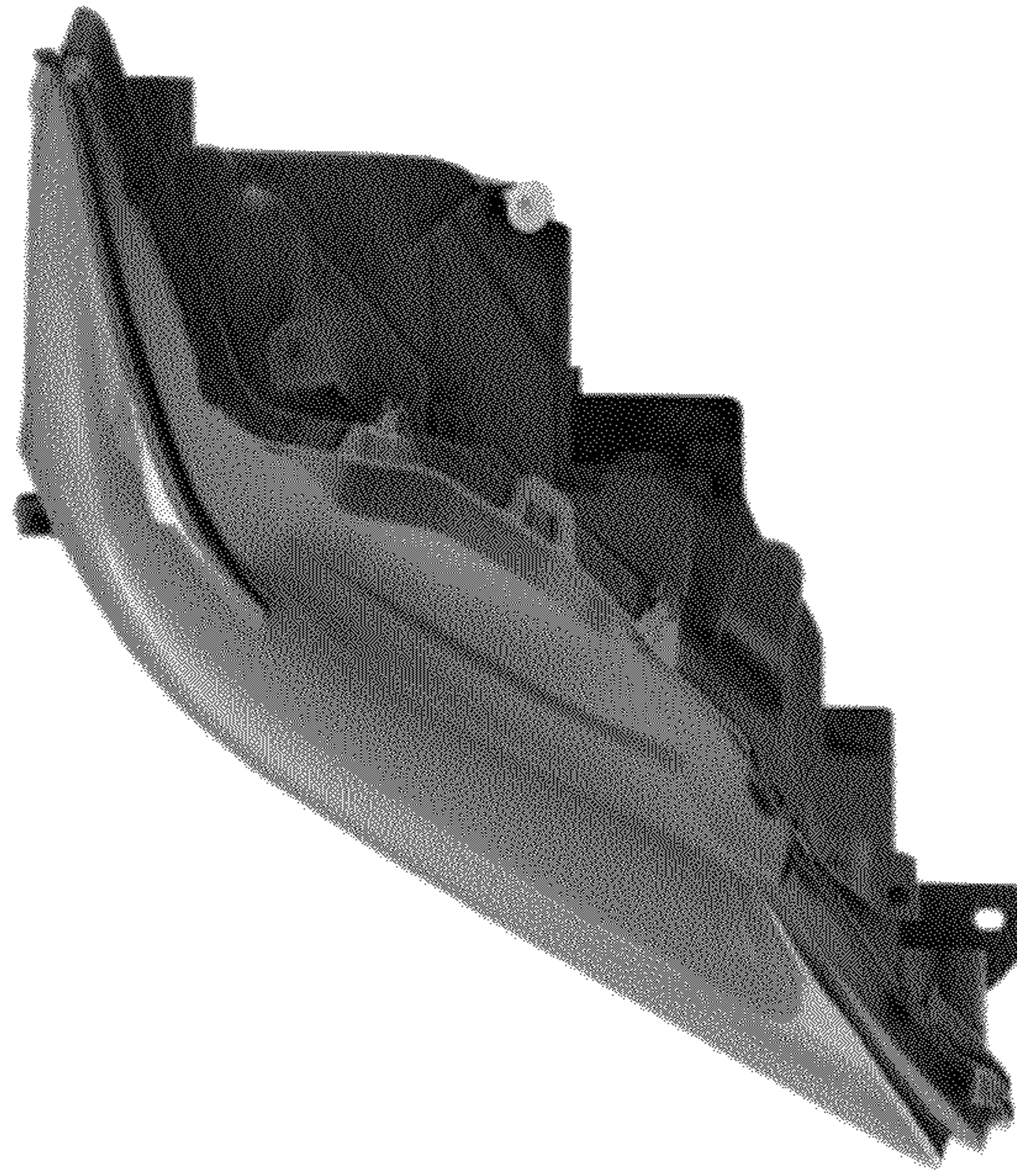


FIG. 4

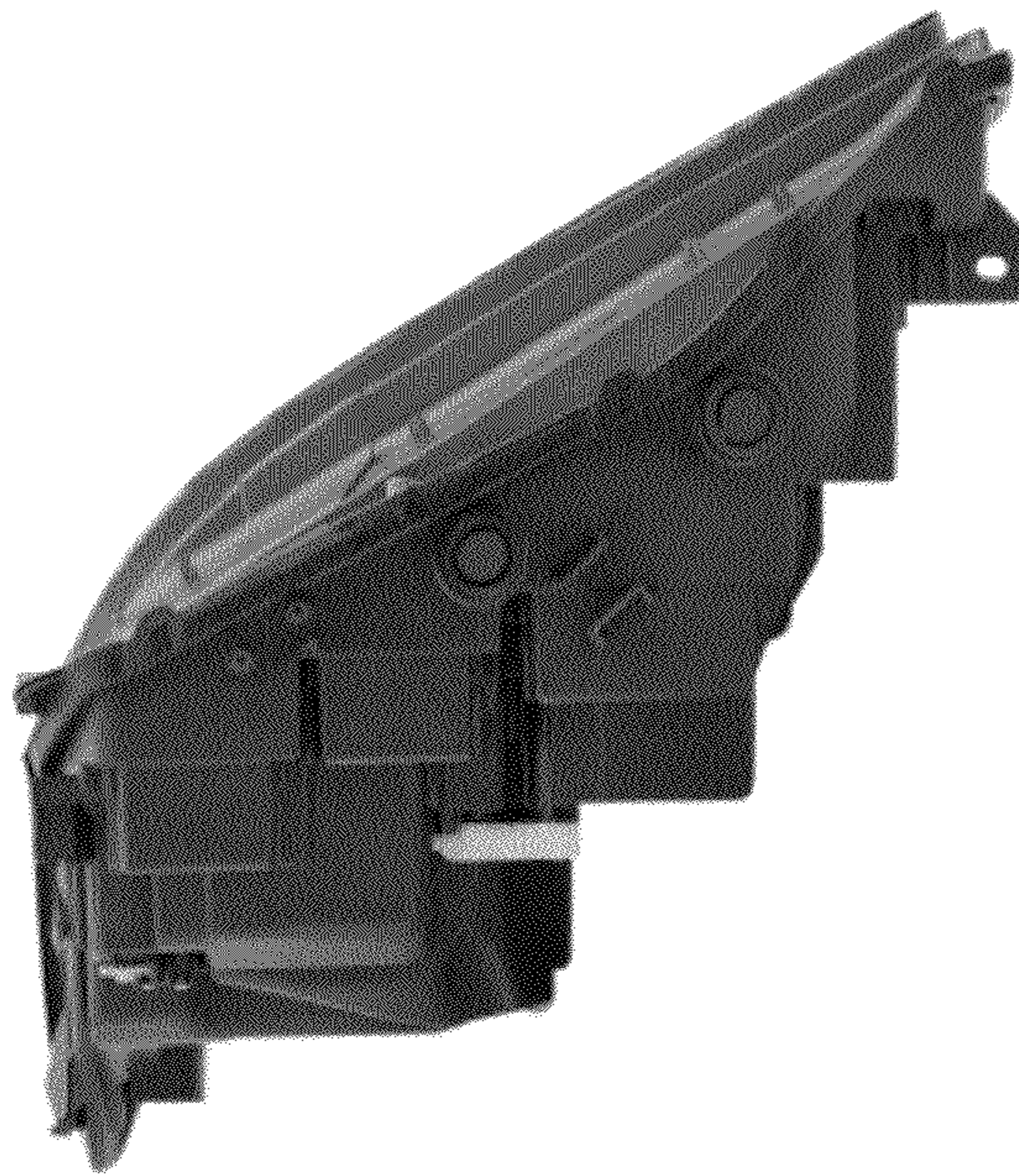


FIG. 5

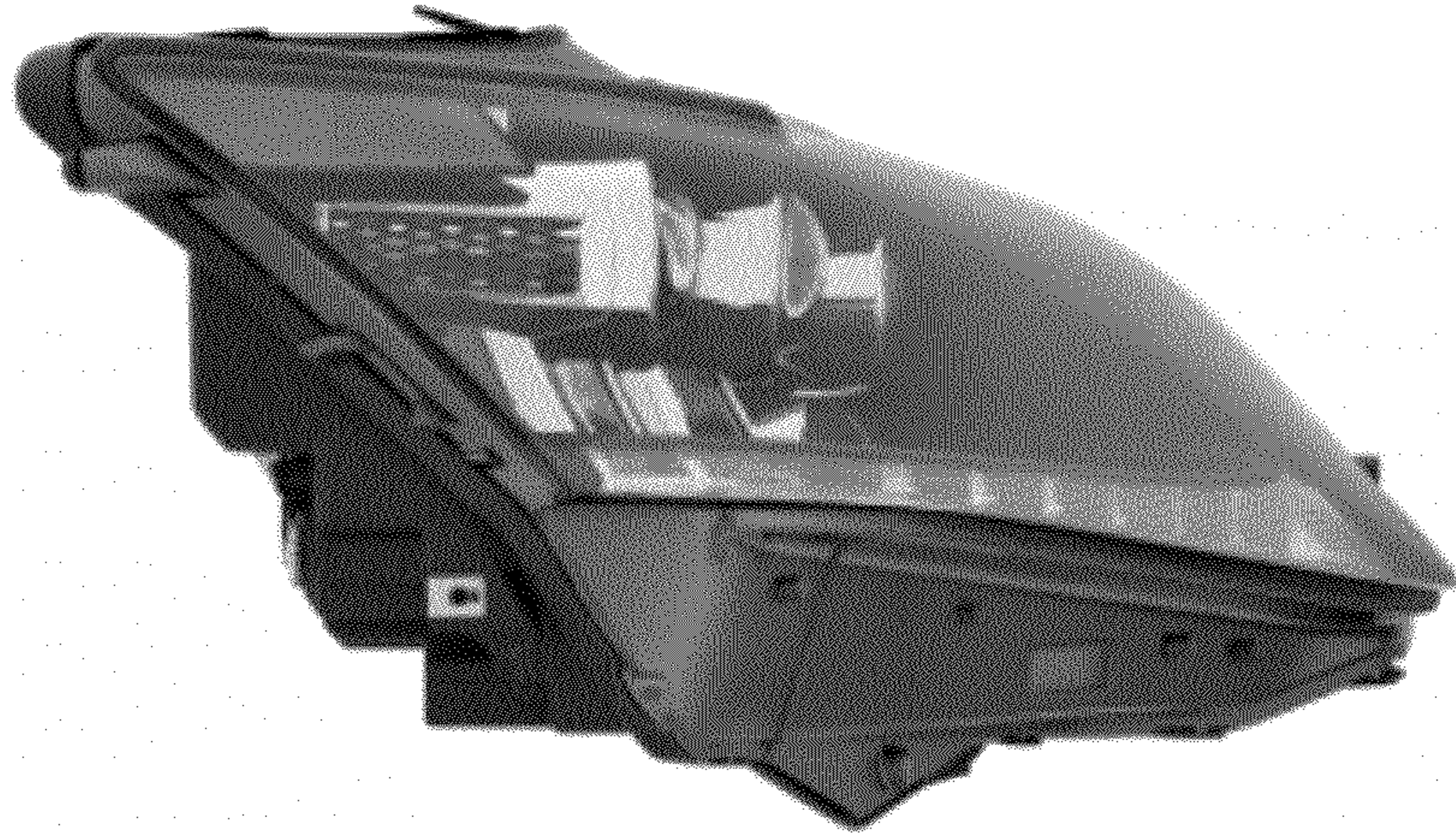


FIG. 6

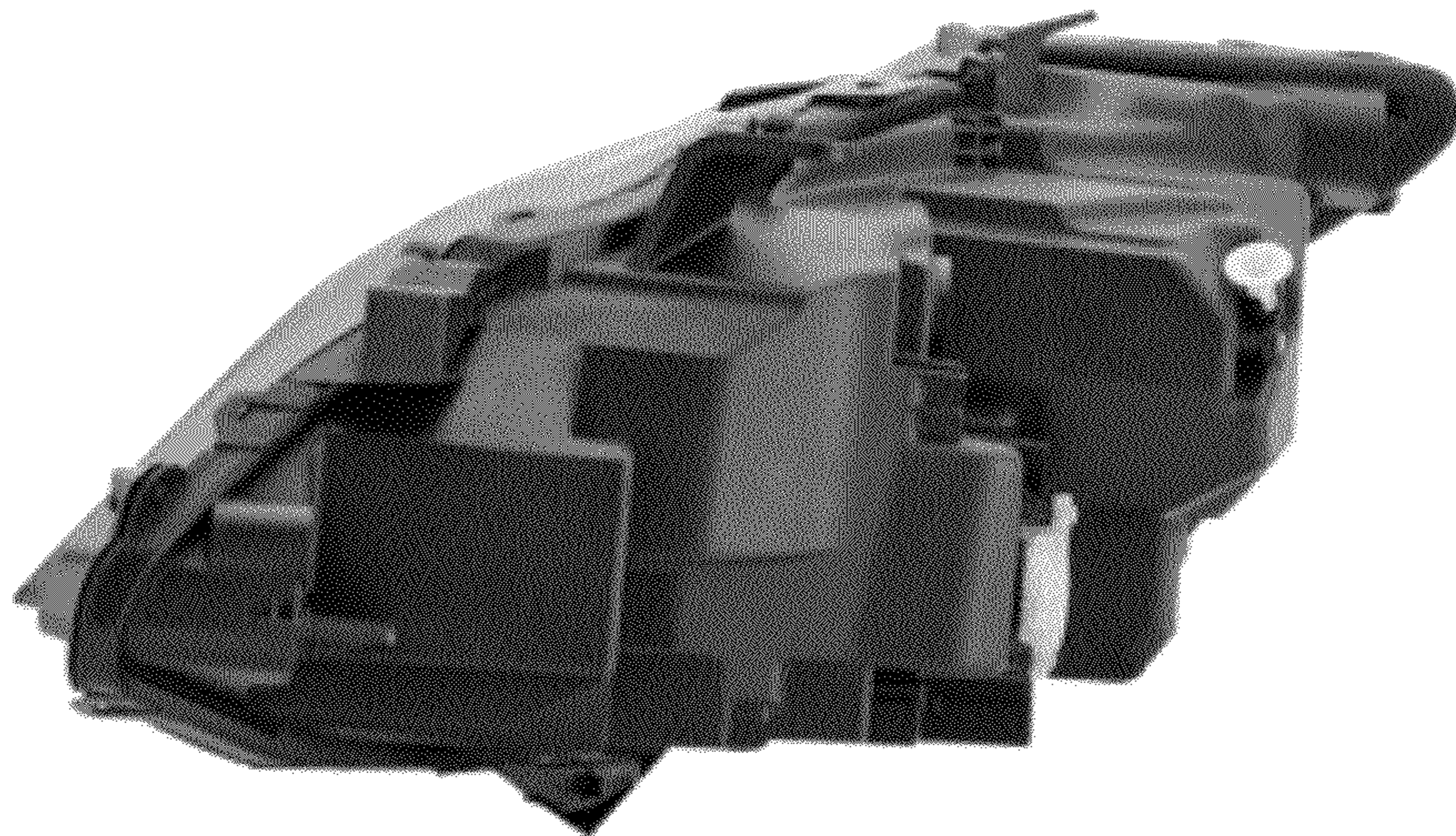


FIG. 7