



US00D660483S

(12) **United States Design Patent**
Gotschke et al.

(10) **Patent No.:** **US D660,483 S**

(45) **Date of Patent:** **** May 22, 2012**

(54) **VEHICLE TAILLIGHT**

(75) Inventors: **Wolfgang Gotschke**, Köln (DE); **Berk Keskin**, Köln (DE)

(73) Assignee: **Ford Global Technologies, LLC**, Dearborn, MI (US)

(**) Term: **14 Years**

(21) Appl. No.: **29/382,818**

(22) Filed: **Jan. 7, 2011**

(51) **LOC (9) Cl.** **26-06**

(52) **U.S. Cl.** **D26/28**

(58) **Field of Classification Search** D26/28-36;
362/459-468, 475-478, 485-487
See application file for complete search history.

(56) **References Cited**

U.S. PATENT DOCUMENTS

- D549,363 S * 8/2007 Pfeiffer D26/28
- D552,769 S * 10/2007 Leclercq D26/28
- D553,269 S * 10/2007 Pfeiffer et al. D26/28
- D565,211 S * 3/2008 Haller et al. D26/28
- D574,524 S * 8/2008 Tomatsu D26/28

- D605,793 S * 12/2009 Weil D26/28
- D615,222 S 5/2010 Gueler et al.
- D620,157 S * 7/2010 Frenzel et al. D26/28

OTHER PUBLICATIONS

Ford Kuga, Frankfurt Motot Show, Sep. 11, 2007.
Ford Kuga, Geneva Auto Show, Mar. 2, 2010.

* cited by examiner

Primary Examiner — Marcus Jackson

(74) *Attorney, Agent, or Firm* — Damian Porcari

(57) **CLAIM**

The ornamental design for a vehicle taillight, as shown and described.

DESCRIPTION

FIG. 1 is a left side elevational view of a left vehicle taillight (the right vehicle taillight being a mirror image and is not shown);

FIG. 2 is a right side elevational view of the vehicle taillight;

FIG. 3 is a front elevational view of the vehicle taillight;

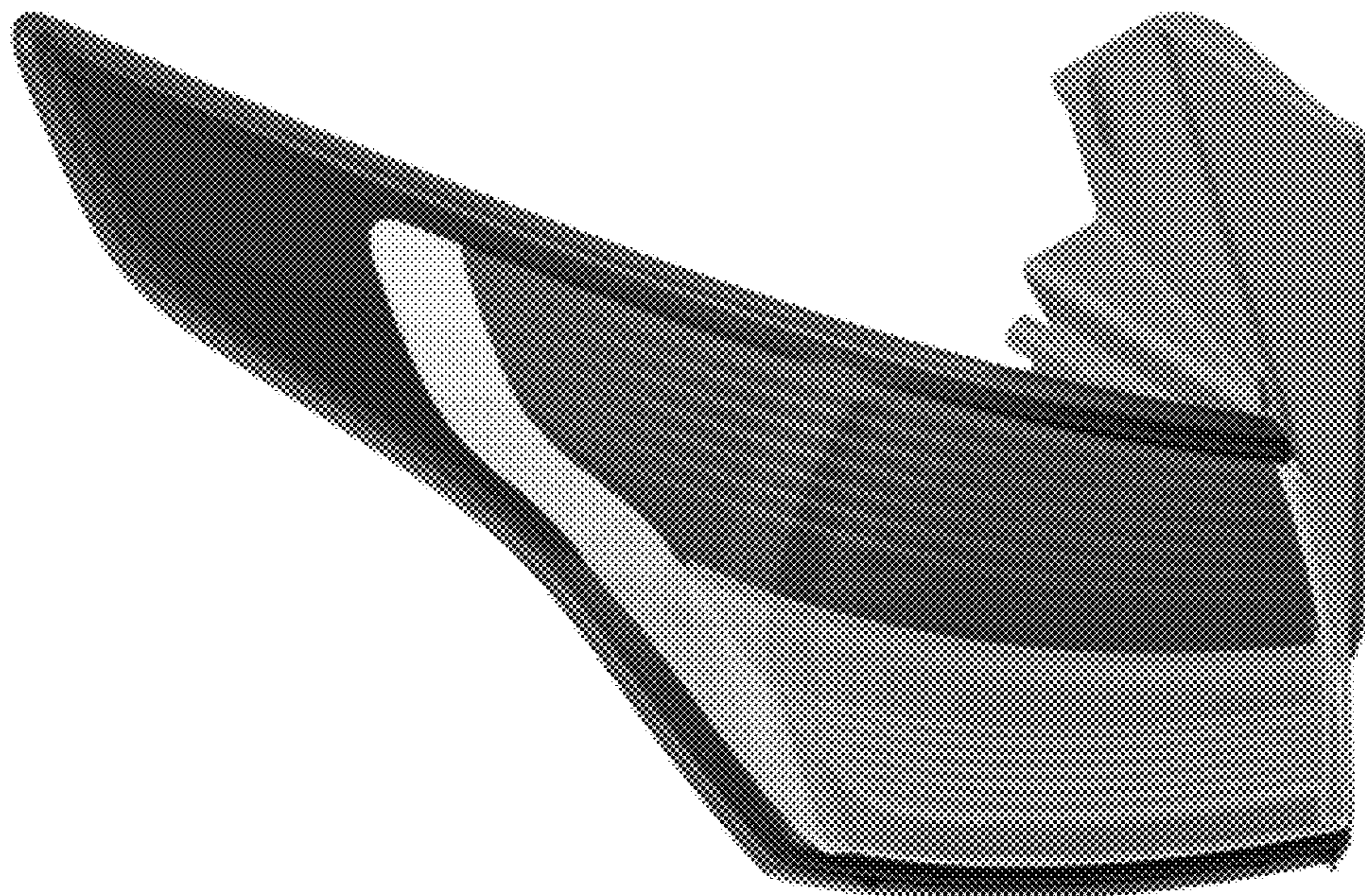
FIG. 4 is a top plan view of the vehicle taillight;

FIG. 5 is a bottom plan view of the vehicle taillight;

FIG. 6 is a perspective view of the vehicle taillight; and,

FIG. 7 is another perspective view of the vehicle taillight.

1 Claim, 7 Drawing Sheets



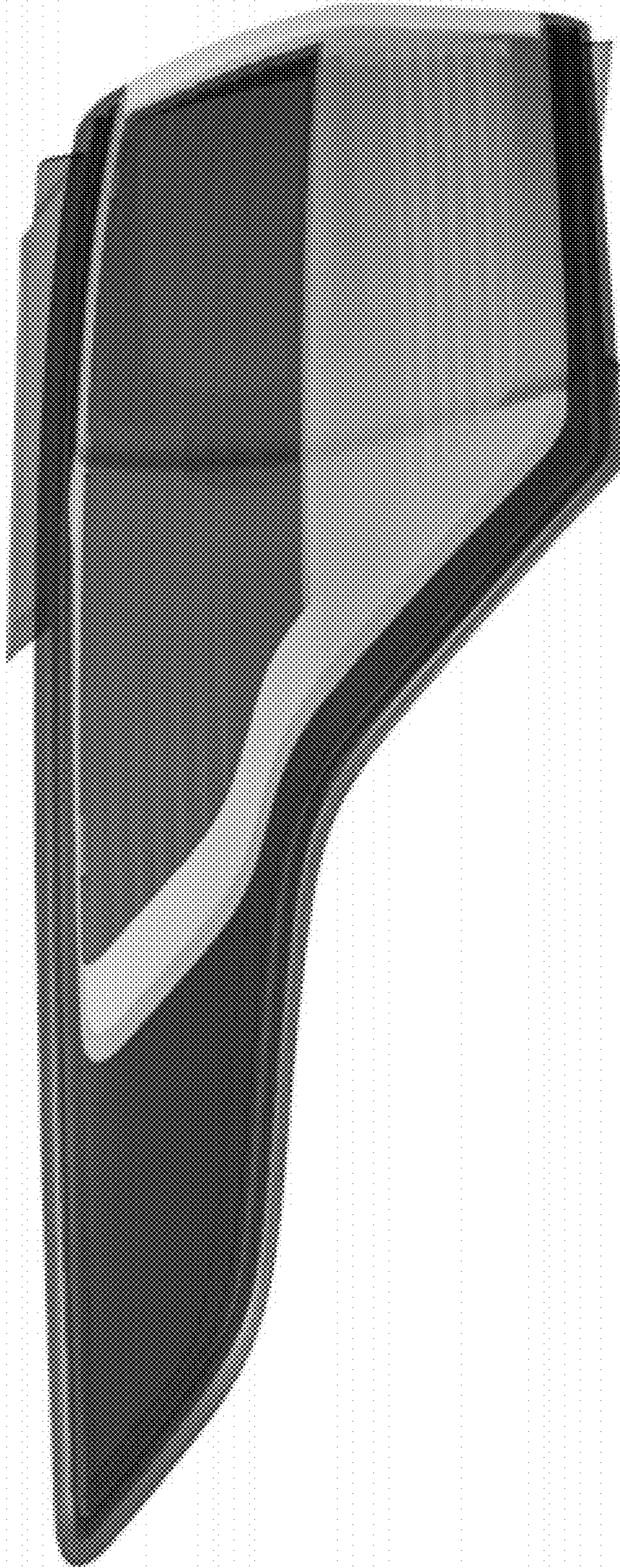


Figure 1

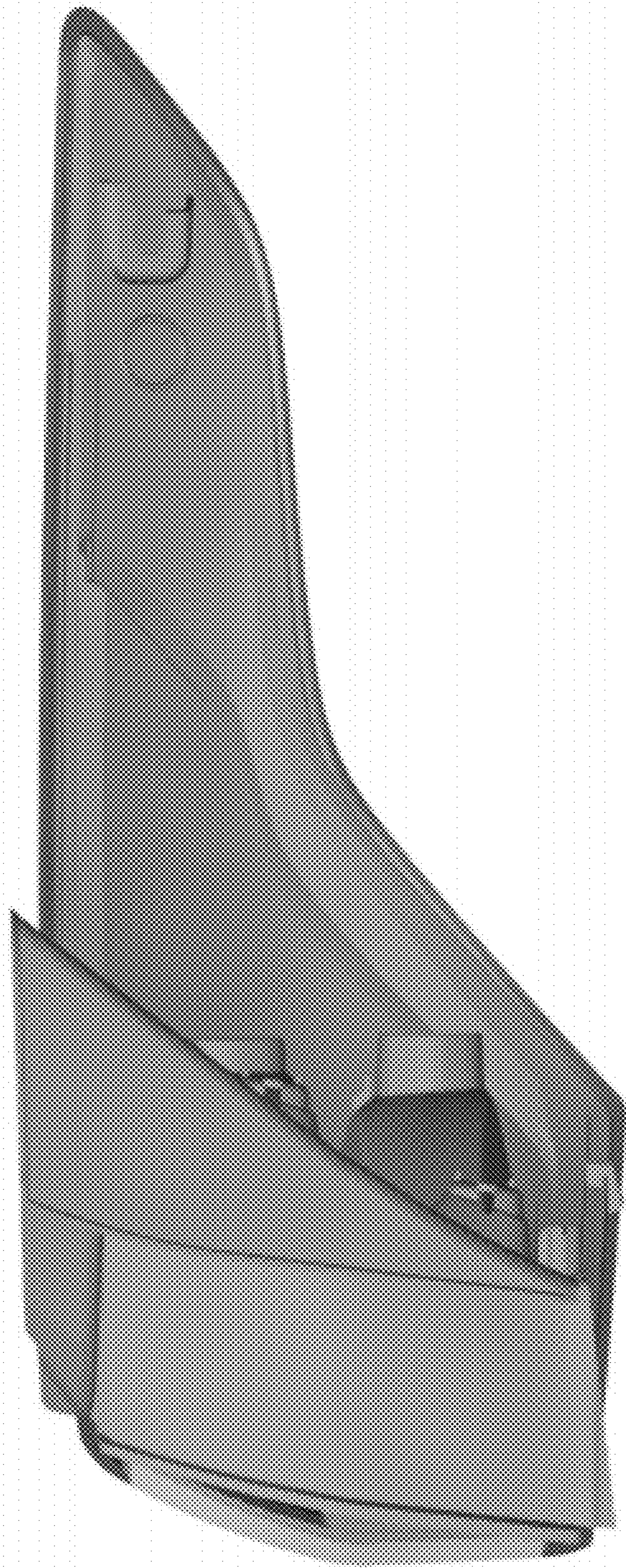


Figure 2

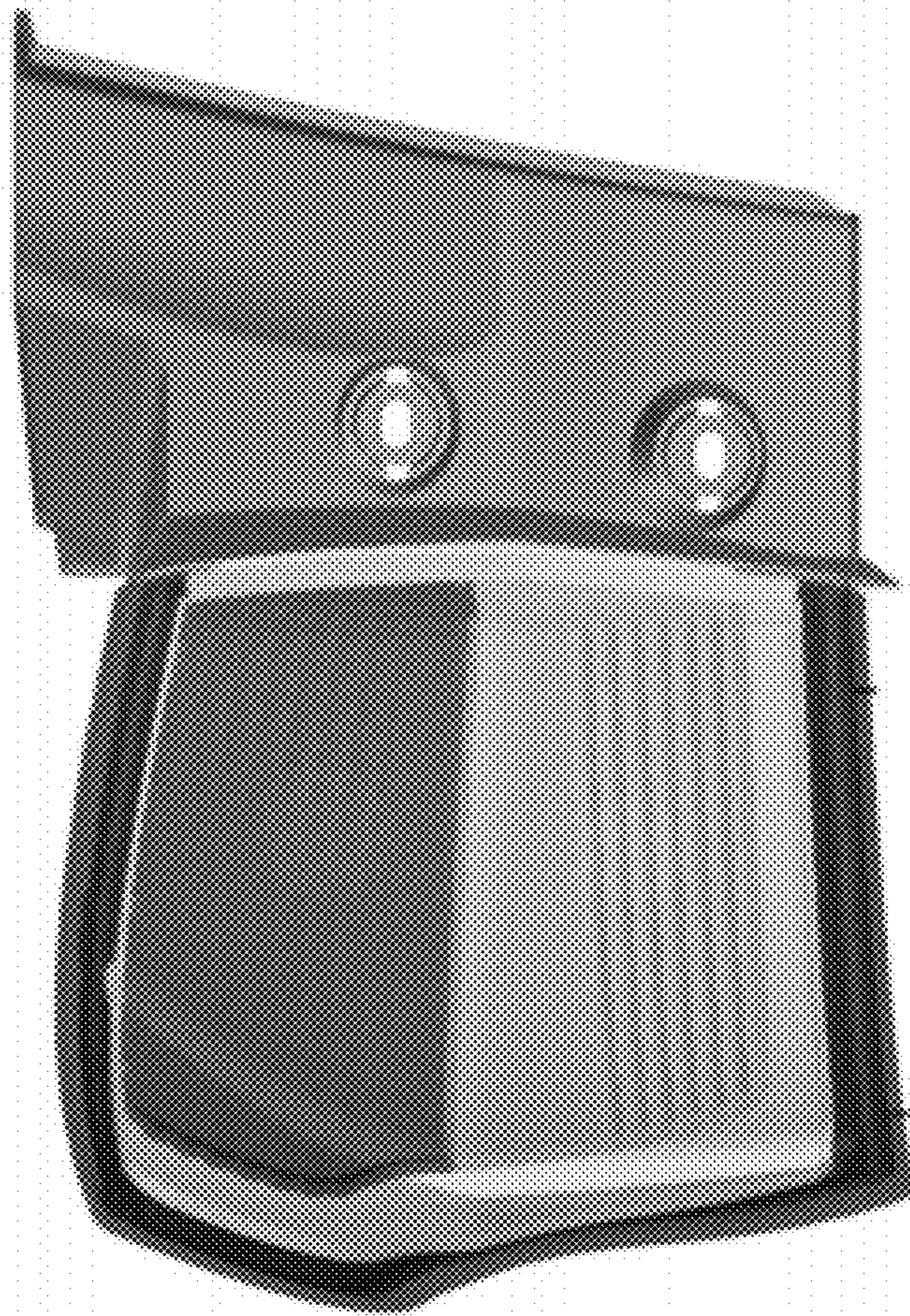


Figure 3

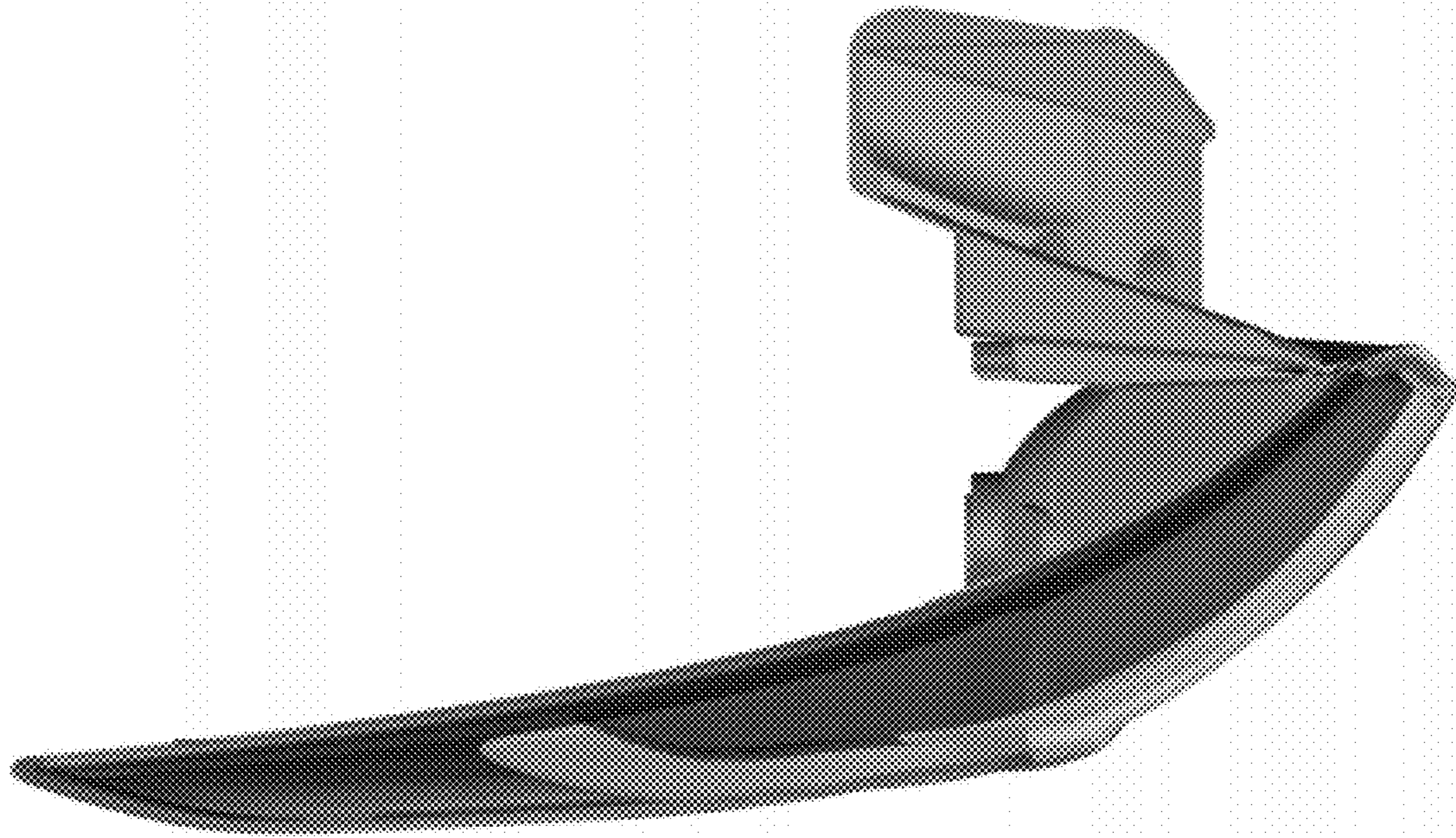


Figure 4

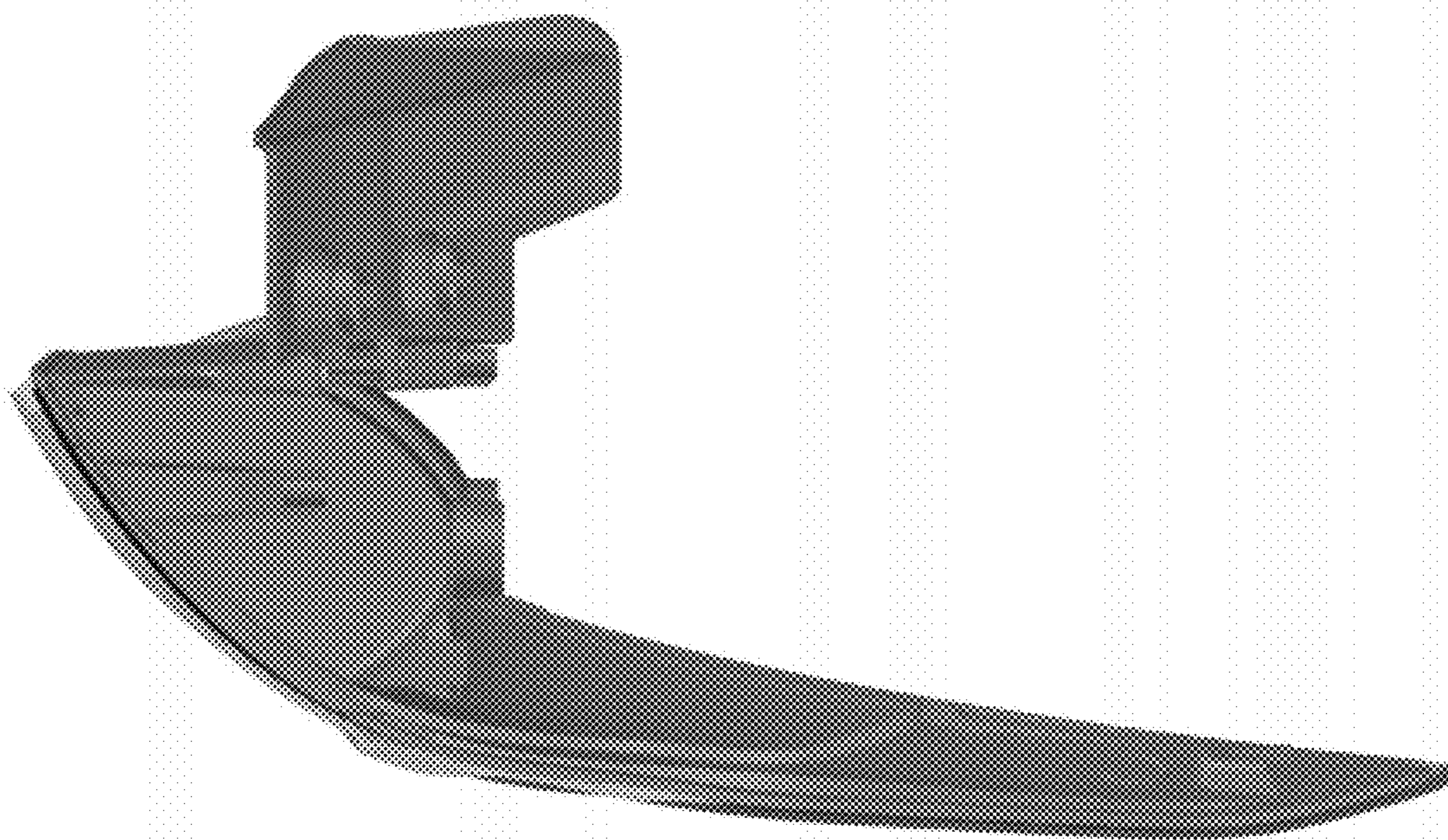


Figure 5



Figure 6

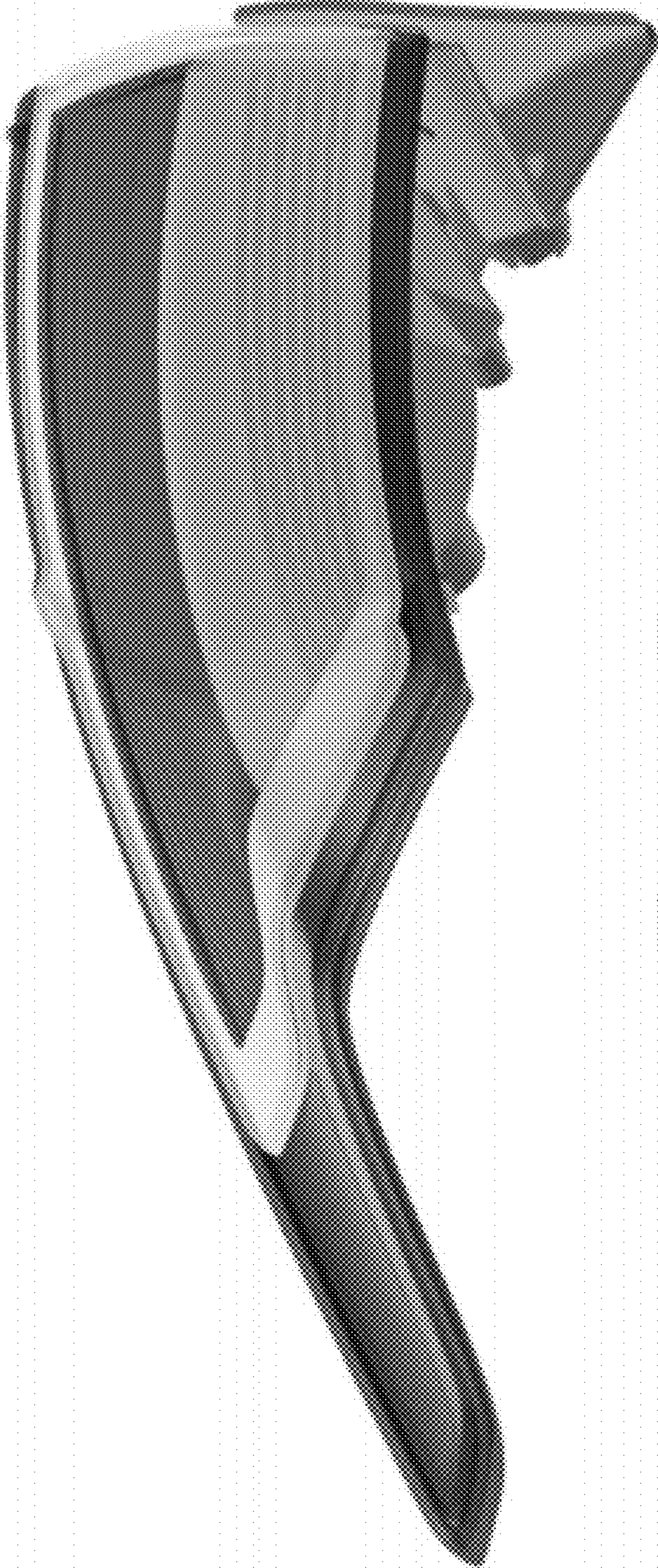


Figure 7