



US00D660482S

(12) **United States Design Patent**
Gotschke et al.

(10) **Patent No.:** **US D660,482 S**
(45) **Date of Patent:** **** May 22, 2012**

(54) **VEHICLE HEADLIGHT**

(75) Inventors: **Golfgang Gotschke**, Köln (DE); **Berk Keskin**, Köln (DE)

(73) Assignee: **Ford Global Technologies, LLC**, Dearborn, MI (US)

(**) Term: **14 Years**

(21) Appl. No.: **29/382,815**

(22) Filed: **Jan. 7, 2011**

(51) **LOC (9) Cl.** **26-06**

(52) **U.S. Cl.** **D26/28**

(58) **Field of Classification Search** D26/28-36;
362/459-468, 475-478, 485-487
See application file for complete search history.

(56) **References Cited**

U.S. PATENT DOCUMENTS

D550,383 S	*	9/2007	Asai	D26/28
D556,349 S	*	11/2007	Golden et al.	D26/28
D560,291 S	*	1/2008	Koyama	D26/28
D561,358 S	*	2/2008	Tachibana	D26/28
D561,359 S	*	2/2008	Hsu	D26/28
D614,326 S		4/2010	Gueler et al.		

OTHER PUBLICATIONS

Ford Kuga, Frankfurt Motot Show, Sep. 11, 2007.
Ford Kuga, Geneva Auto Show, Mar. 2, 2010.

* cited by examiner

Primary Examiner — Marcus Jackson

(74) *Attorney, Agent, or Firm* — Damian Porcari

(57) **CLAIM**

The ornamental design for a vehicle headlight, as shown and described.

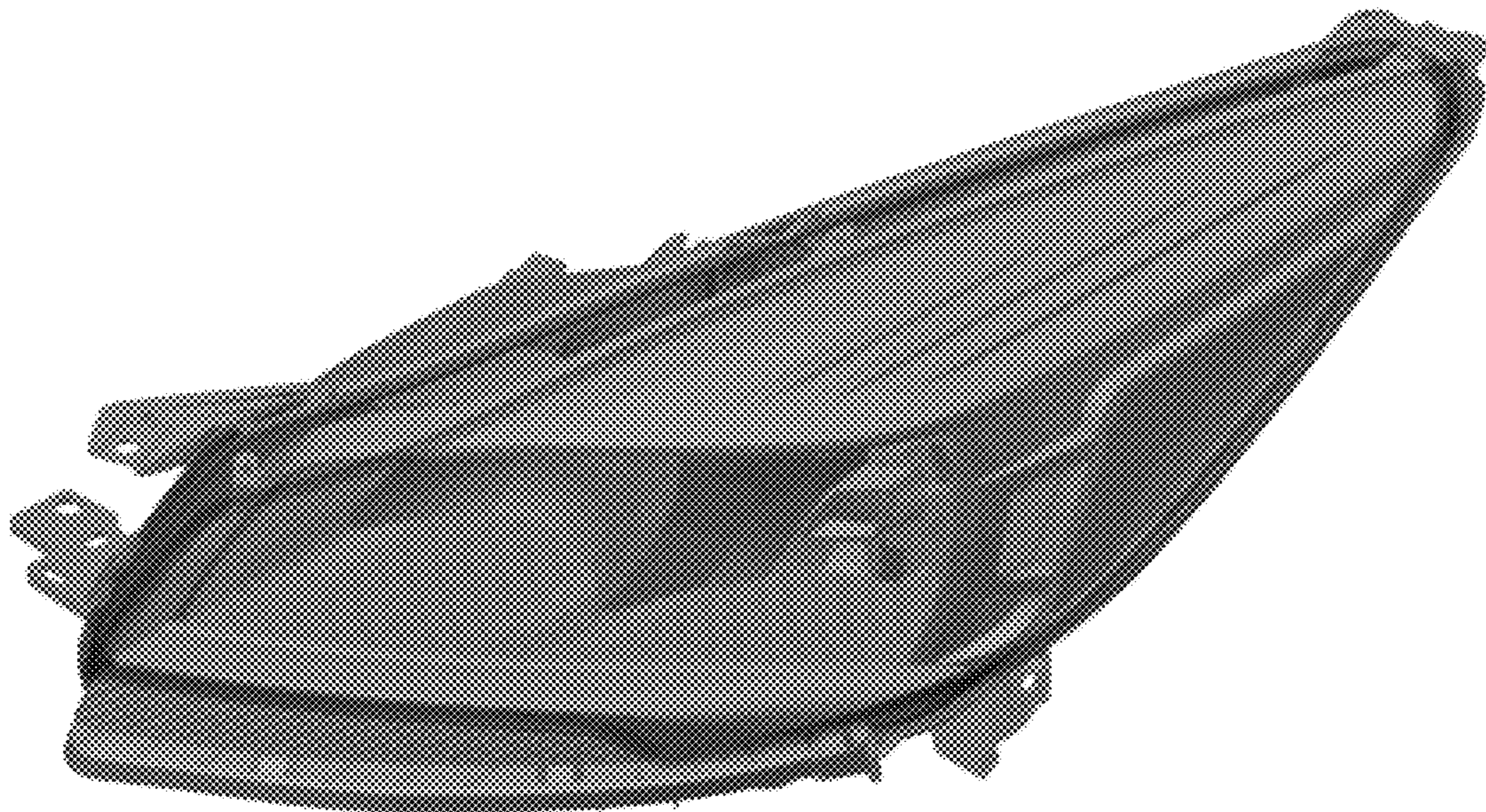
DESCRIPTION

FIG. 1 is a left side elevational view of a left vehicle headlight (the right vehicle headlight being a mirror image and is not shown);

FIG. 2 is a right side elevational view of the vehicle headlight; FIG. 3 is a front elevational view of the vehicle headlight; FIG. 4 is a top plan view of the vehicle headlight; FIG. 5 is a bottom plan view of the vehicle headlight; FIG. 6 is a perspective view of the vehicle headlight; and, FIG. 7 is another perspective view of the vehicle headlight.

The vehicle headlight is intended to be observed in various states of internal illumination as well as in daylight with no internal illumination.

1 Claim, 7 Drawing Sheets



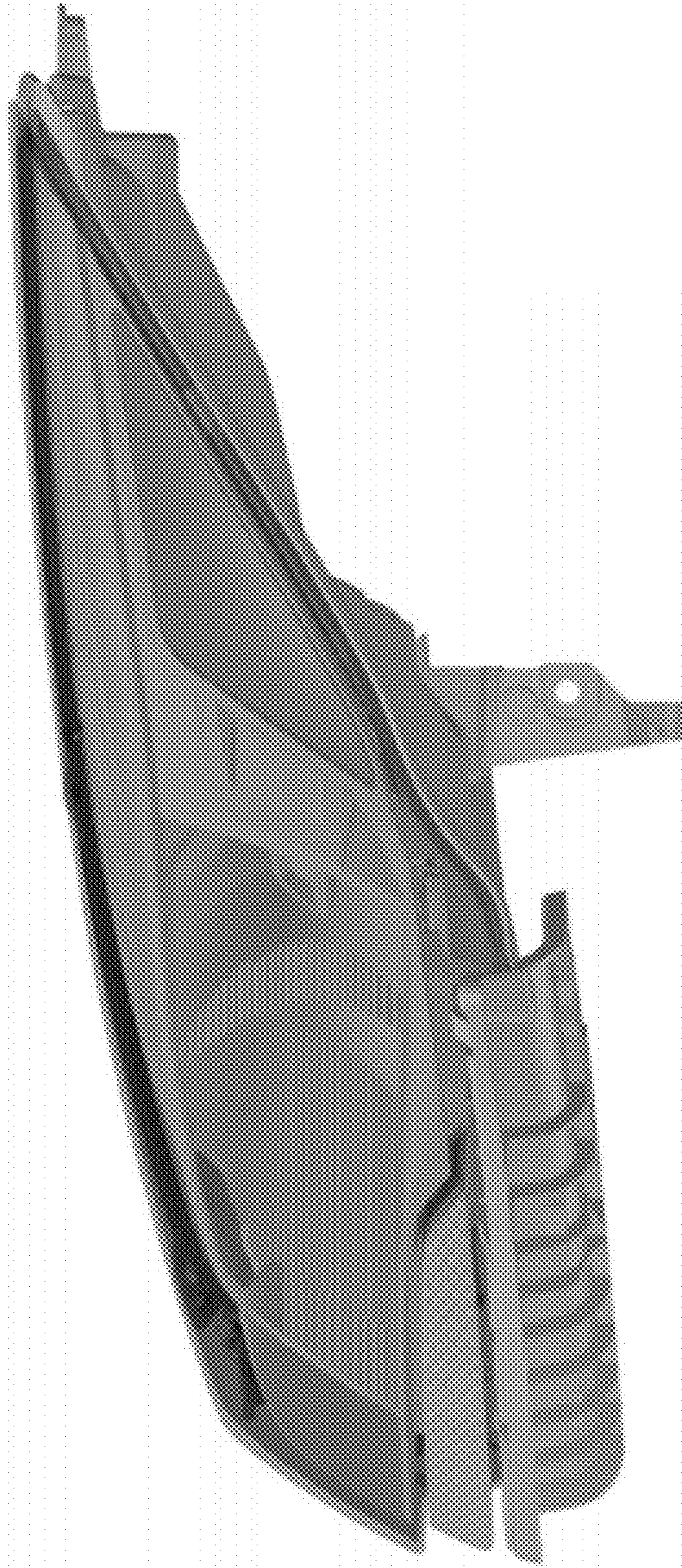


Figure 1

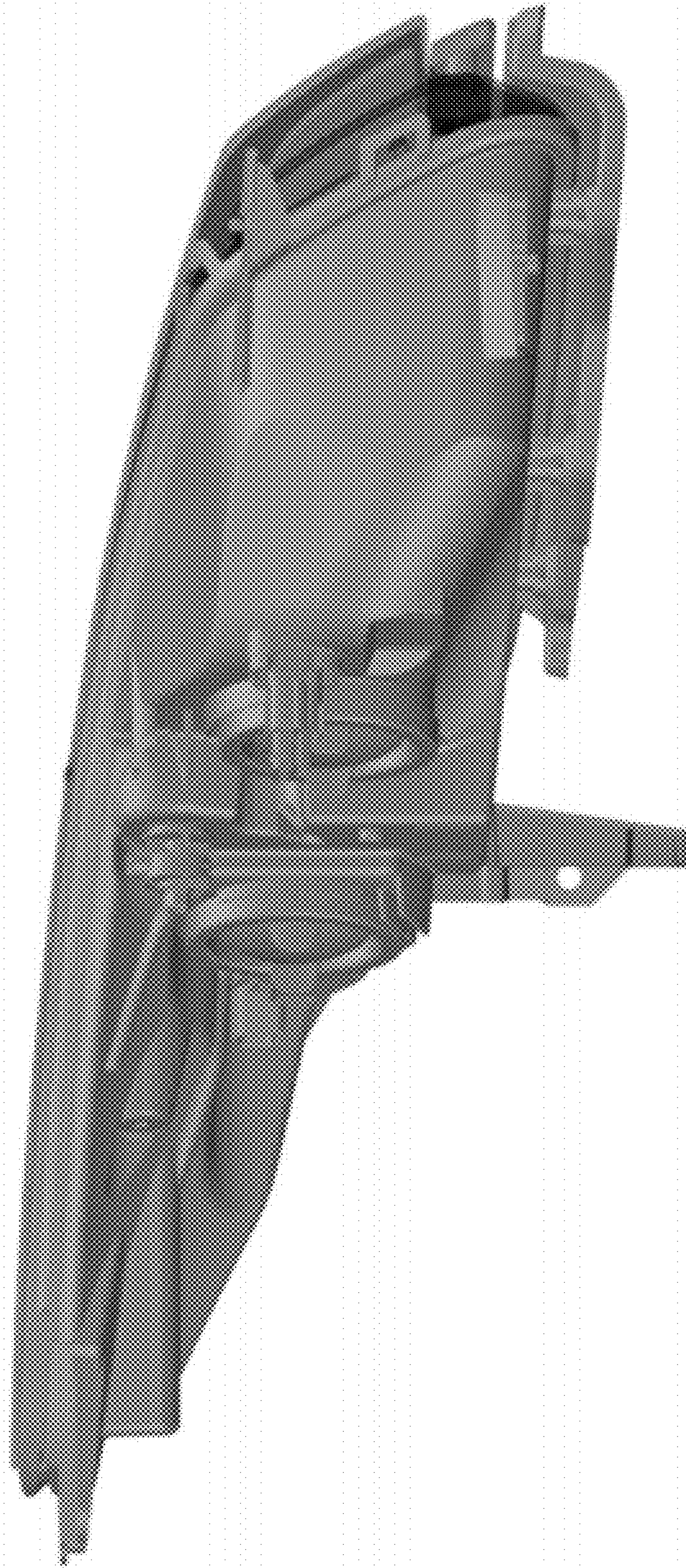


Figure 2

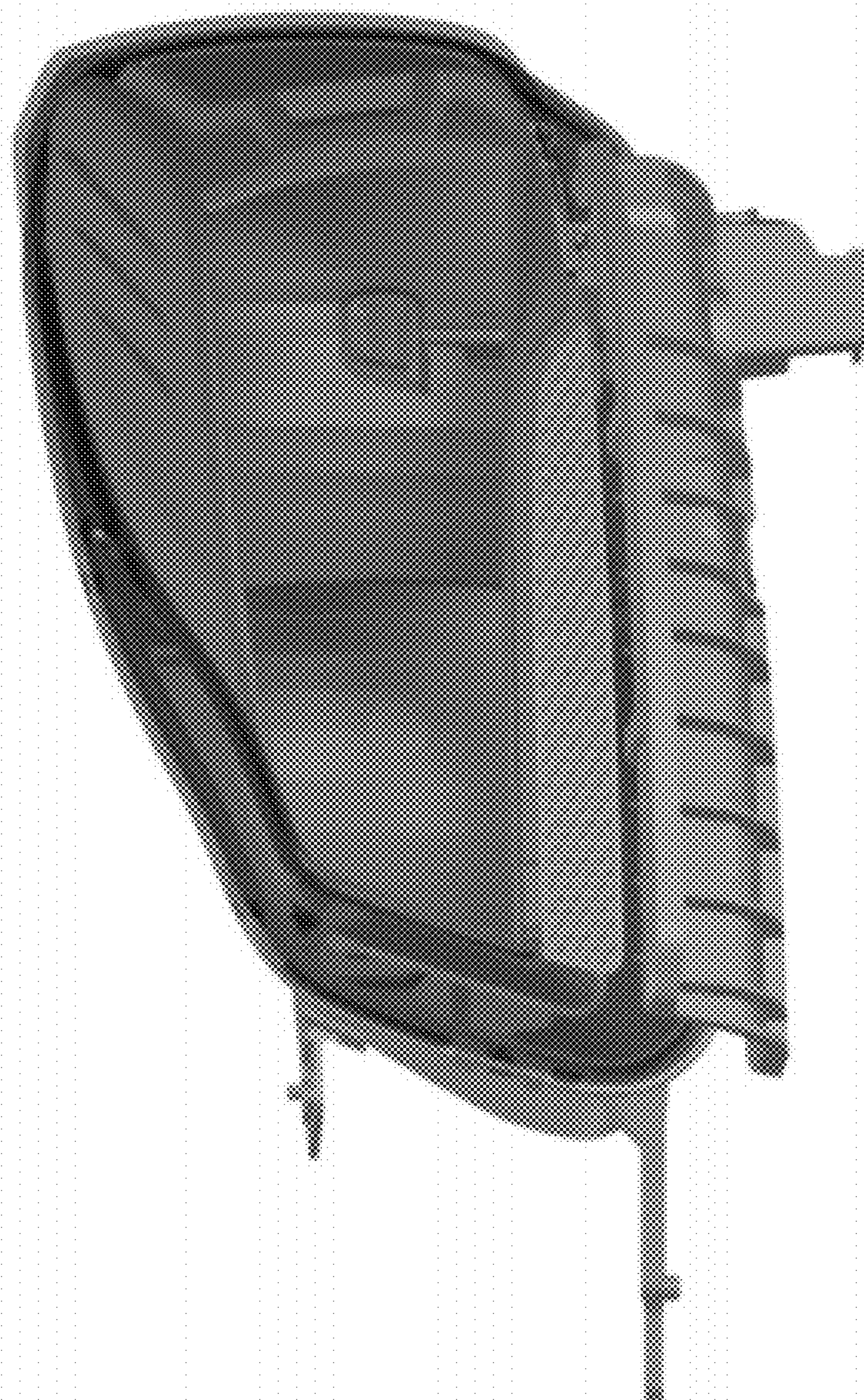


Figure 3

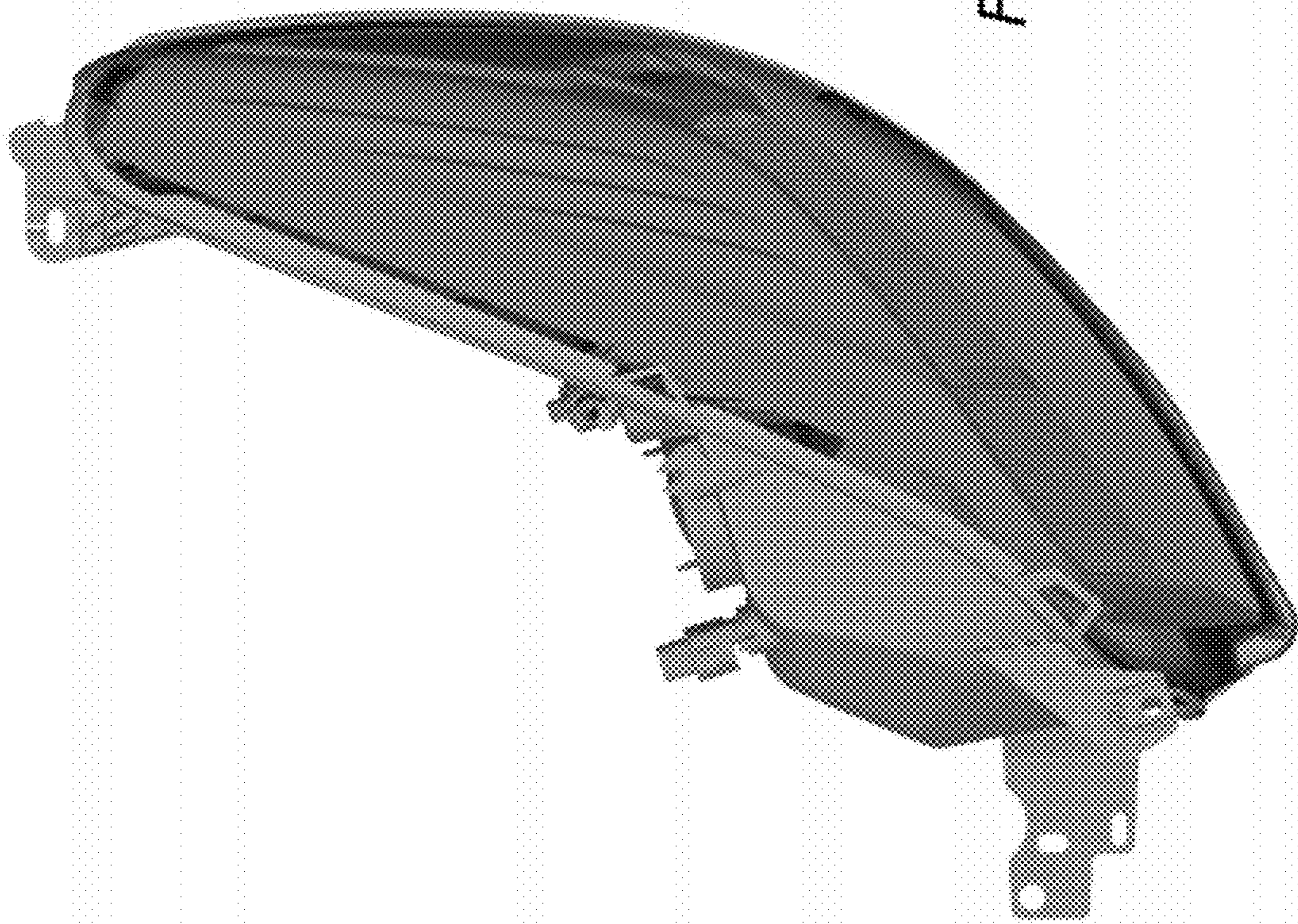


Figure 4

Figure 5

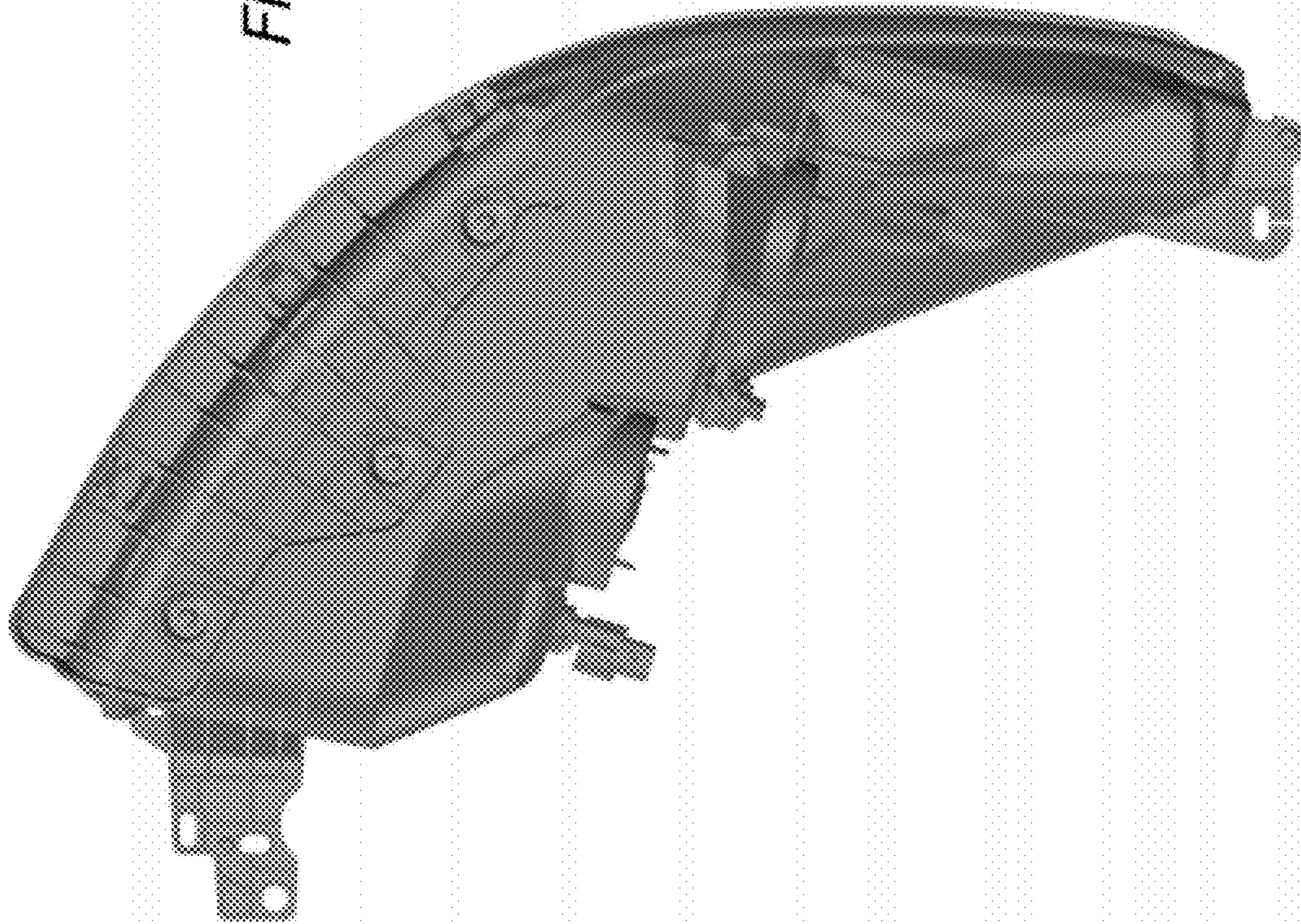




Figure 6

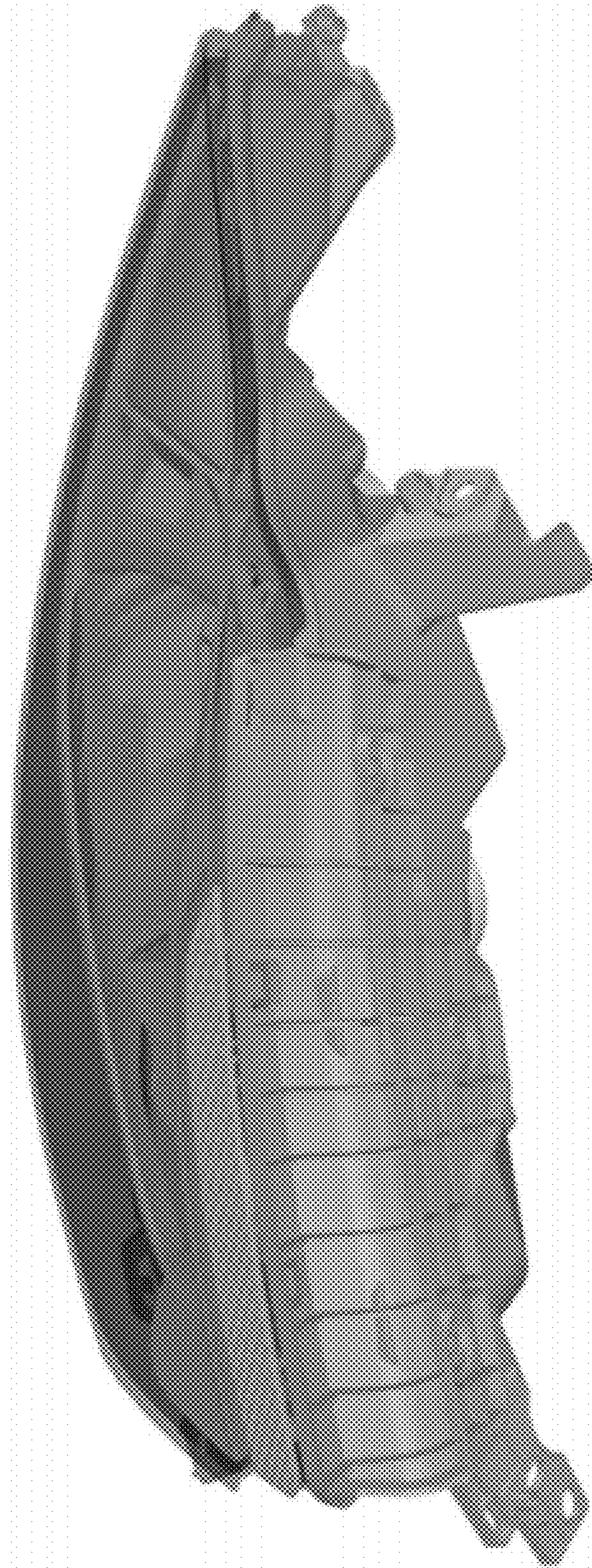


Figure 7

UNITED STATES PATENT AND TRADEMARK OFFICE
CERTIFICATE OF CORRECTION

PATENT NO. : D660,482 S
APPLICATION NO. : 29/382815
DATED : May 22, 2012
INVENTOR(S) : Wolfgang Gotschke et al.

Page 1 of 1

It is certified that error appears in the above-identified patent and that said Letters Patent is hereby corrected as shown below:

Title Page, item (75), first inventor name should read:
Wolfgang Gotschke, Köln (DE)

Signed and Sealed this
Twenty-ninth Day of March, 2016



Michelle K. Lee
Director of the United States Patent and Trademark Office

UNITED STATES PATENT AND TRADEMARK OFFICE
CERTIFICATE OF CORRECTION

PATENT NO. : D660,482 S
APPLICATION NO. : 29/382815
DATED : May 22, 2012
INVENTOR(S) : Golfgang Gotschke et al.

Page 1 of 1

It is certified that error appears in the above-identified patent and that said Letters Patent is hereby corrected as shown below:

“Title Page, item (75), first inventor name should read:

Wolfgang Gotschke, Köln (DE)”

(as corrected to read in the Certificate of Correction issued March 29, 2016) is deleted and patent is returned to its original state with the Inventors name in patent to read

---(75) Inventors: **Golfgang Gotschke**, Köln (DE); **Berk Keskin**, Köln (DE)---

Signed and Sealed this
Fifth Day of July, 2016



Michelle K. Lee
Director of the United States Patent and Trademark Office