



US00D660481S

(12) **United States Design Patent**
Gotschke et al.

(10) **Patent No.:** **US D660,481 S**

(45) **Date of Patent:** **** May 22, 2012**

(54) **VEHICLE HEADLIGHT**

D561,358 S * 2/2008 Tachibana D26/28
D561,359 S * 2/2008 Hsu D26/28
D614,326 S 4/2010 Gueler et al.

(75) Inventors: **Wolfgang Gotschke**, Köln (DE); **Berk Keskin**, Köln (DE)

OTHER PUBLICATIONS

Ford Kuga, Frankfurt Motot Show, Sep. 11, 2007.
Ford Kuga, Geneva Auto Show, Mar. 2, 2010.

(73) Assignee: **Ford Global Technologies, LLC**, Dearborn, MI (US)

* cited by examiner

(**) Term: **14 Years**

Primary Examiner — Marcus Jackson

(21) Appl. No.: **29/382,812**

(74) *Attorney, Agent, or Firm* — Damian Porcari

(22) Filed: **Jan. 7, 2011**

(57) **CLAIM**

The ornamental design for a vehicle headlight, as shown and described.

(51) **LOC (9) Cl.** **26-06**

DESCRIPTION

(52) **U.S. Cl.** **D26/28**

(58) **Field of Classification Search** D26/28–36;
362/459–468, 475–478, 485–487
See application file for complete search history.

FIG. 1 is a left side elevational view of a left vehicle headlight (the right vehicle headlight being a mirror image and is not shown);

FIG. 2 is a right side elevational view of the vehicle headlight;
FIG. 3 is a front elevational view of the vehicle headlight;
FIG. 4 is a top plan view of the vehicle headlight;
FIG. 5 is a bottom plan view of the vehicle headlight;
FIG. 6 is a perspective view of the vehicle headlight; and,
FIG. 7 is another perspective view of the vehicle headlight.

(56) **References Cited**

U.S. PATENT DOCUMENTS

D550,383 S * 9/2007 Asai D26/28
D556,349 S * 11/2007 Golden et al. D26/28
D560,291 S * 1/2008 Koyama D26/28

1 Claim, 7 Drawing Sheets



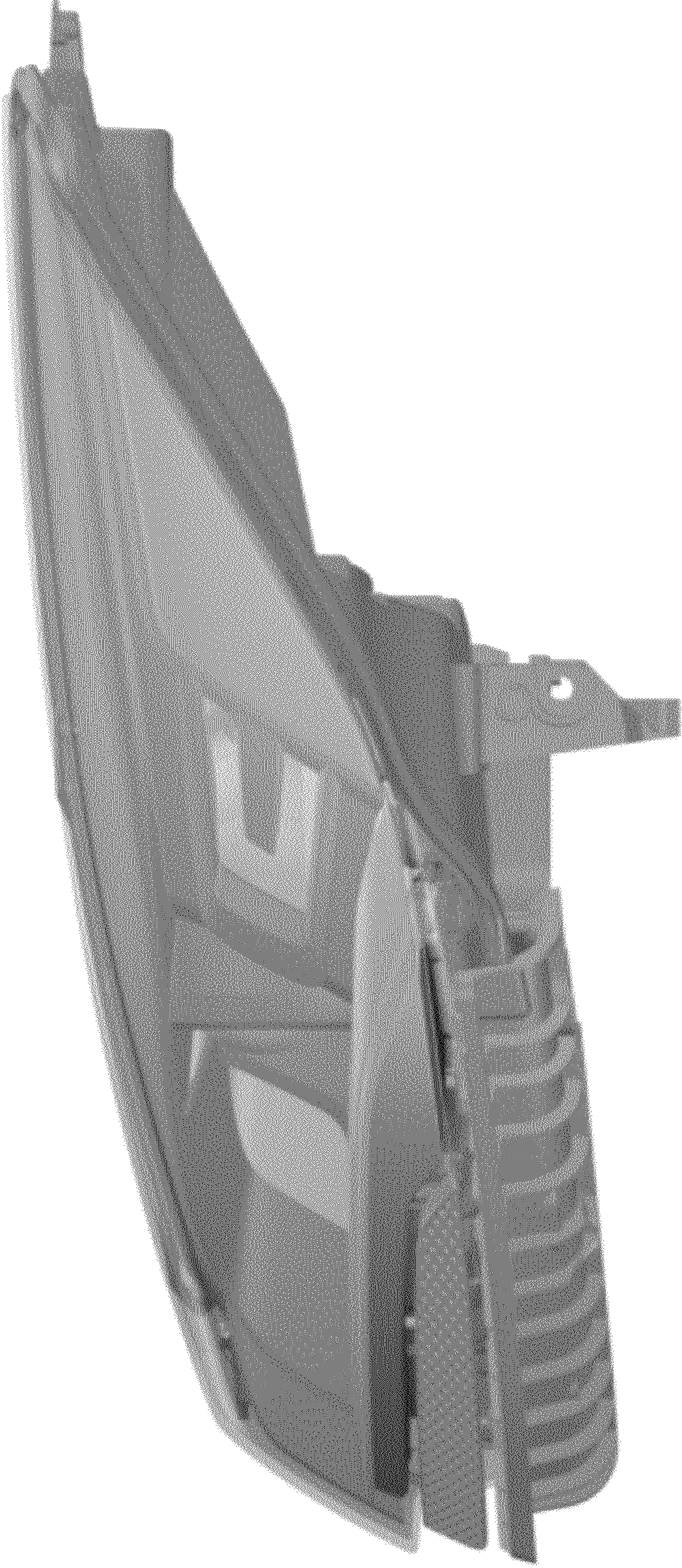


Figure 1

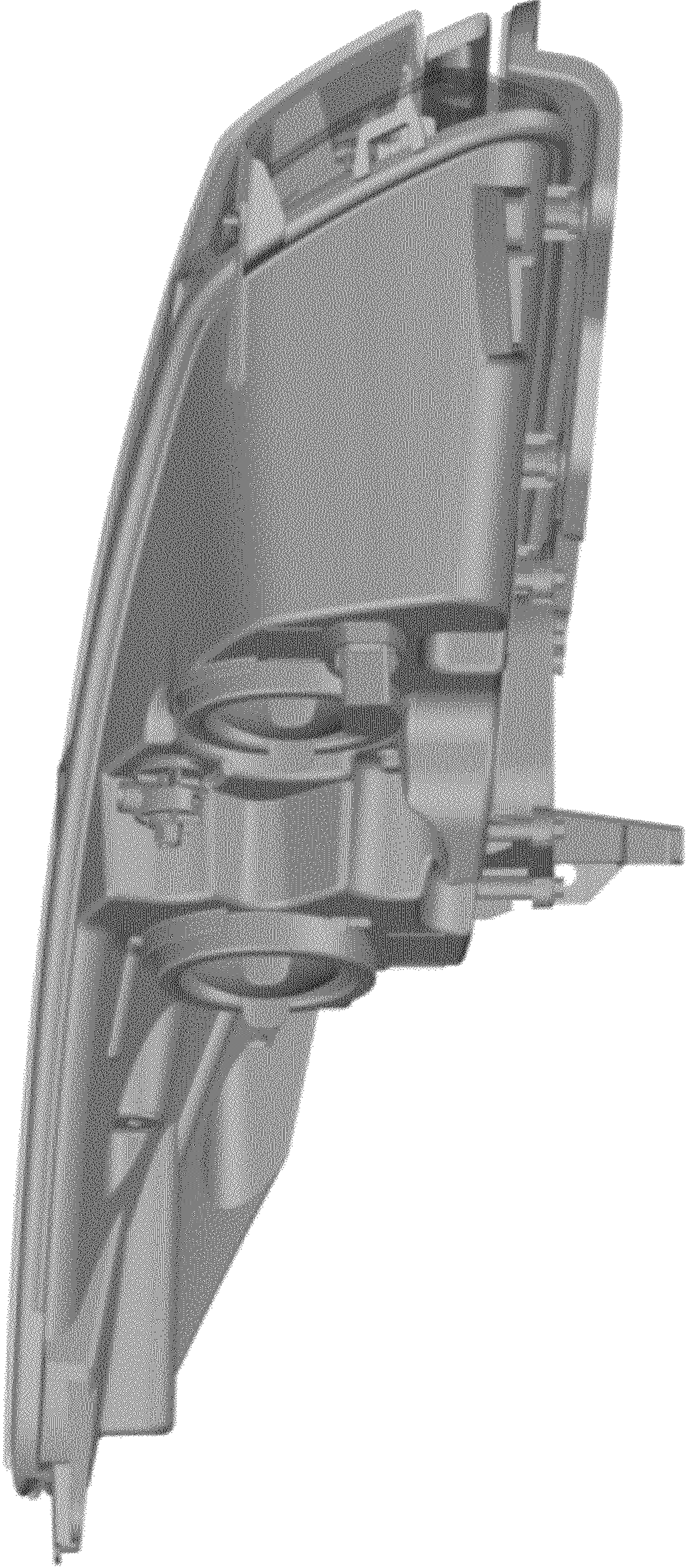


Figure 2

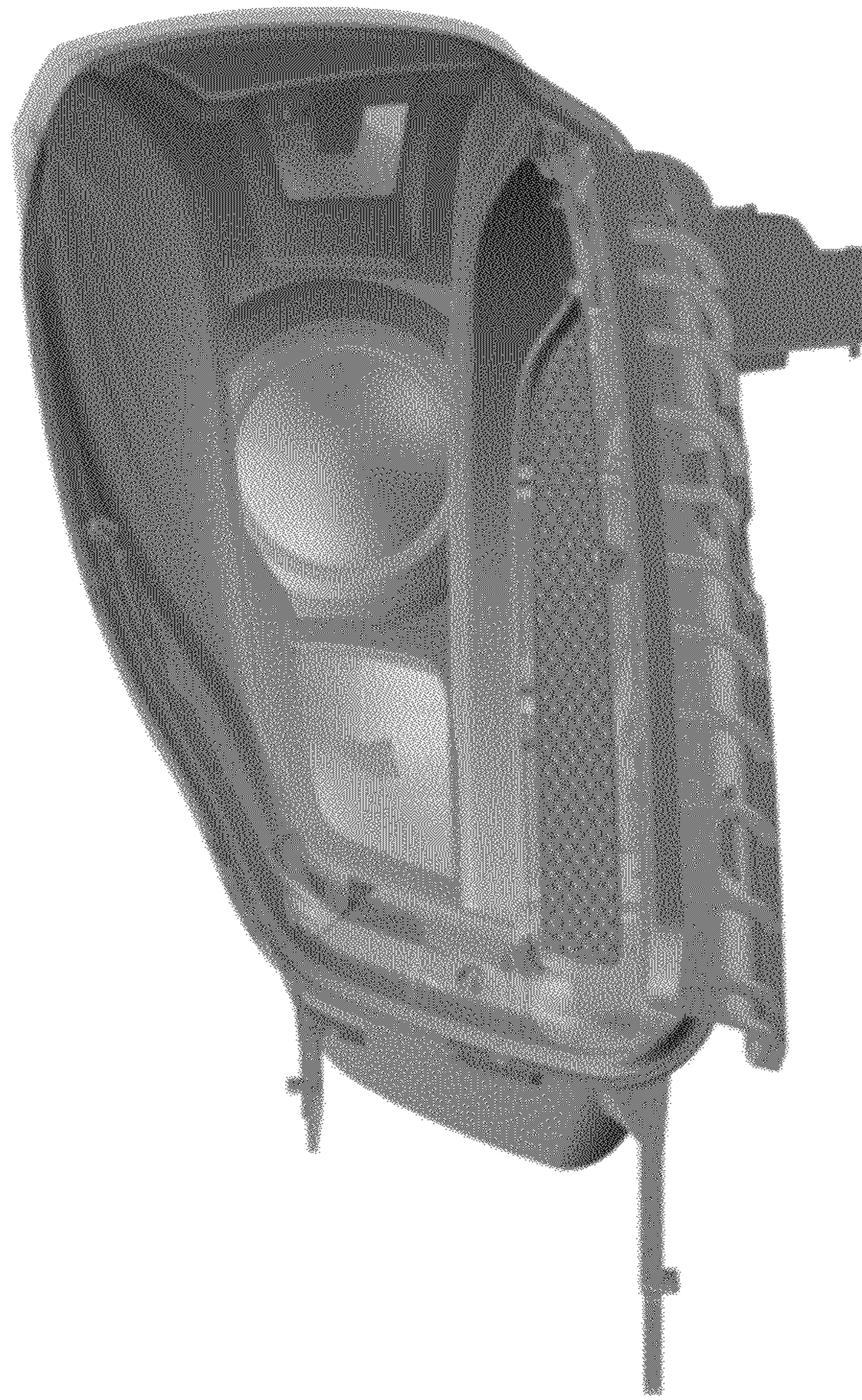


Figure 3

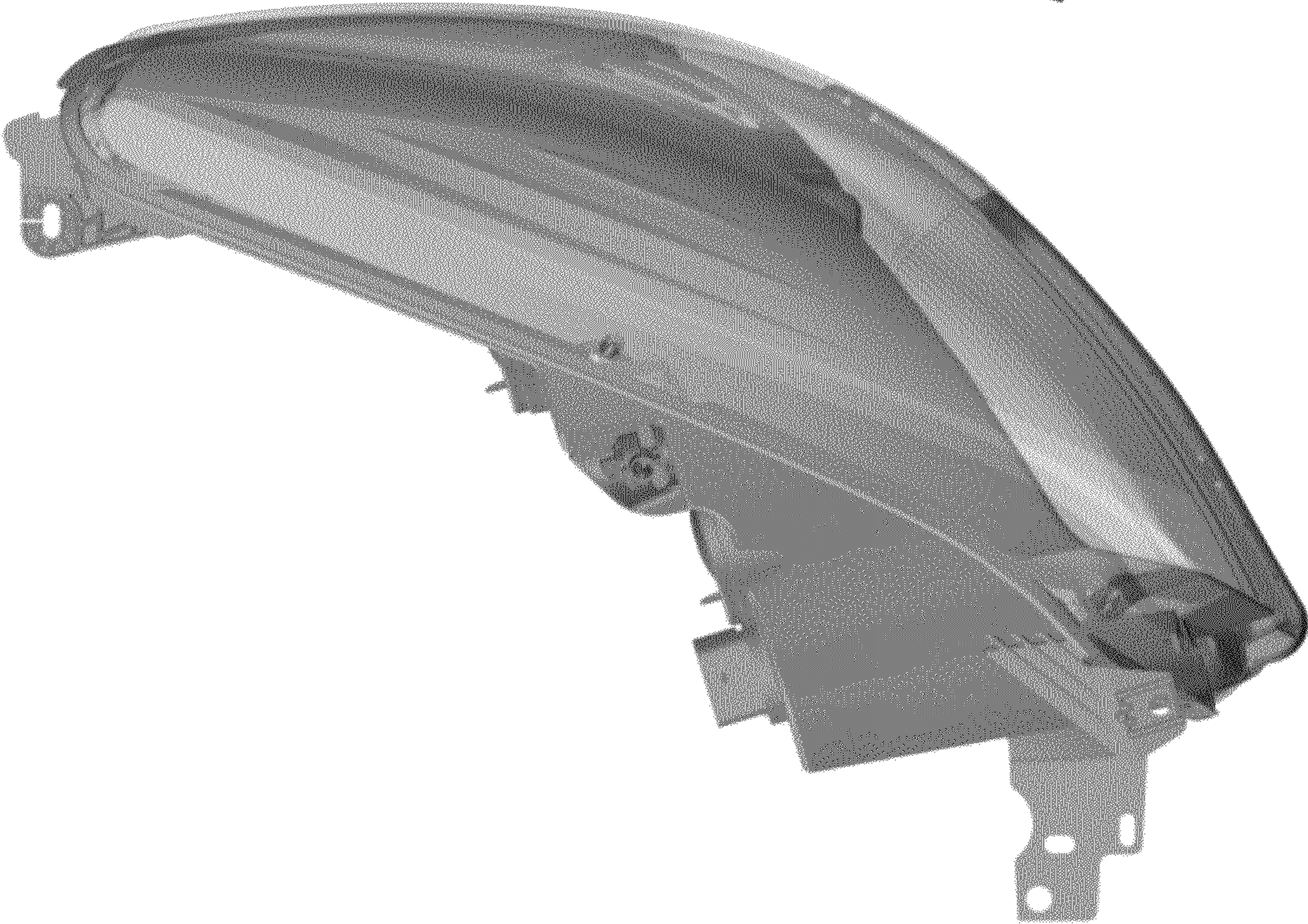
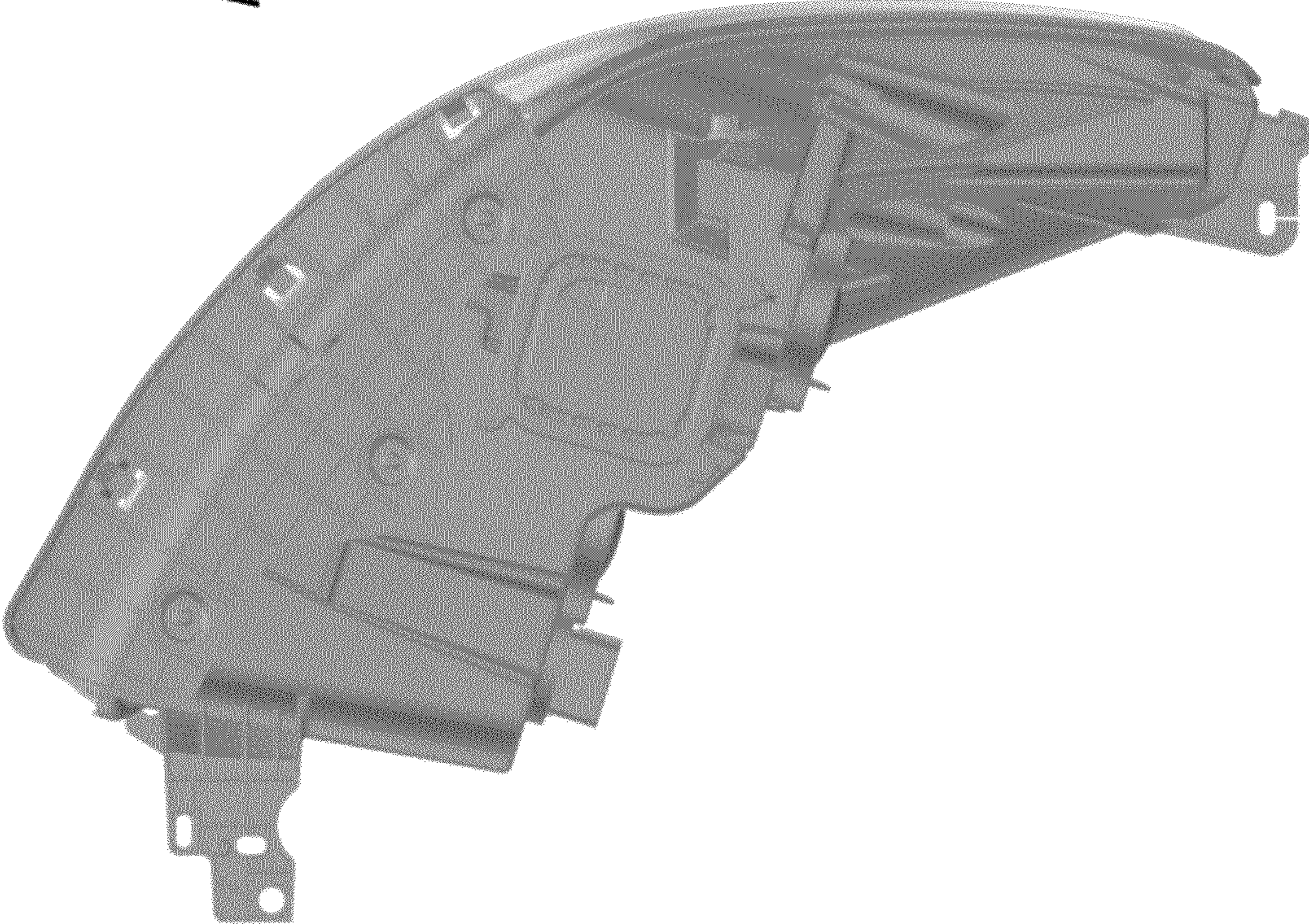


Figure 4

Figure 5



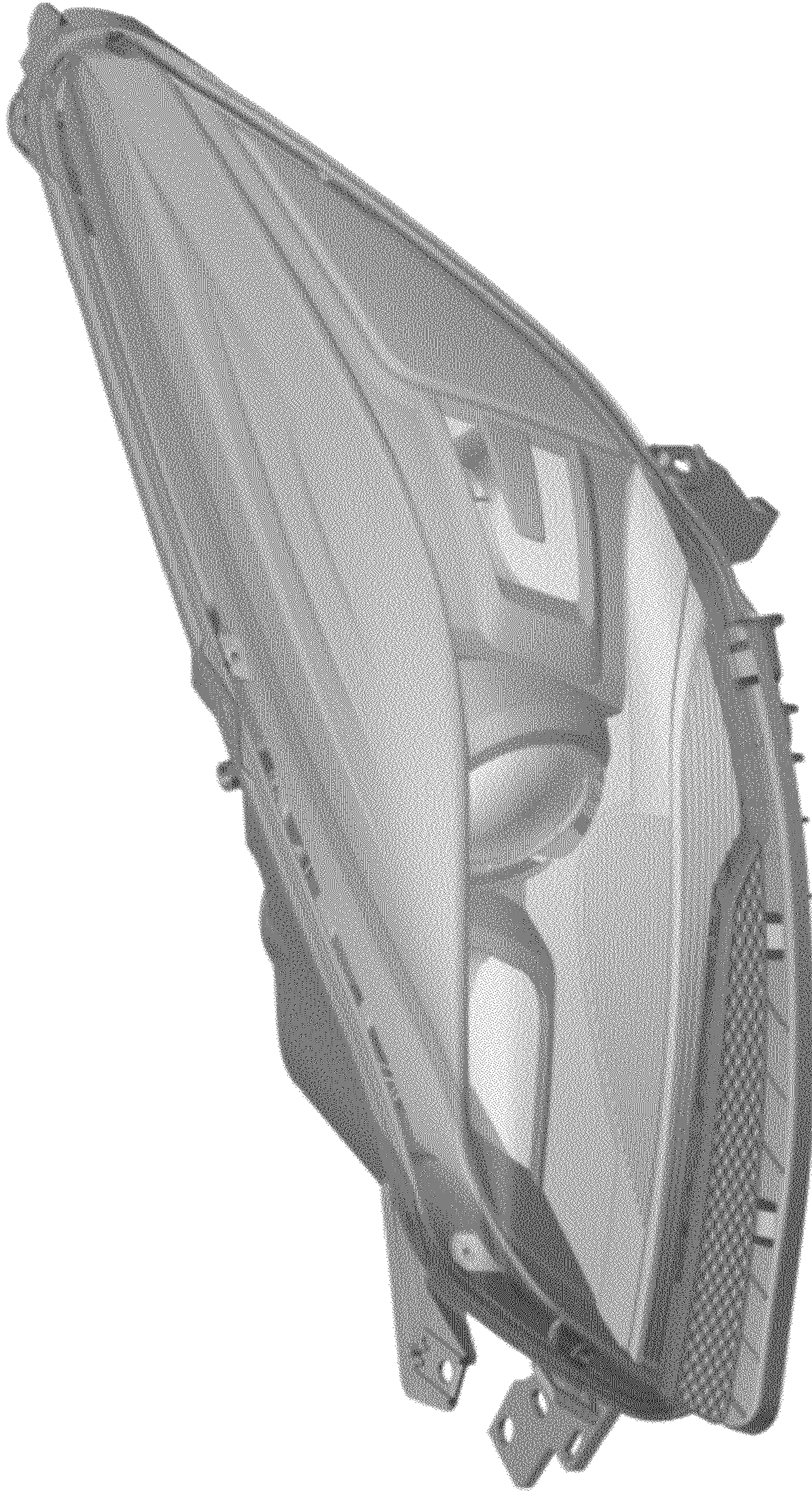


Figure 6

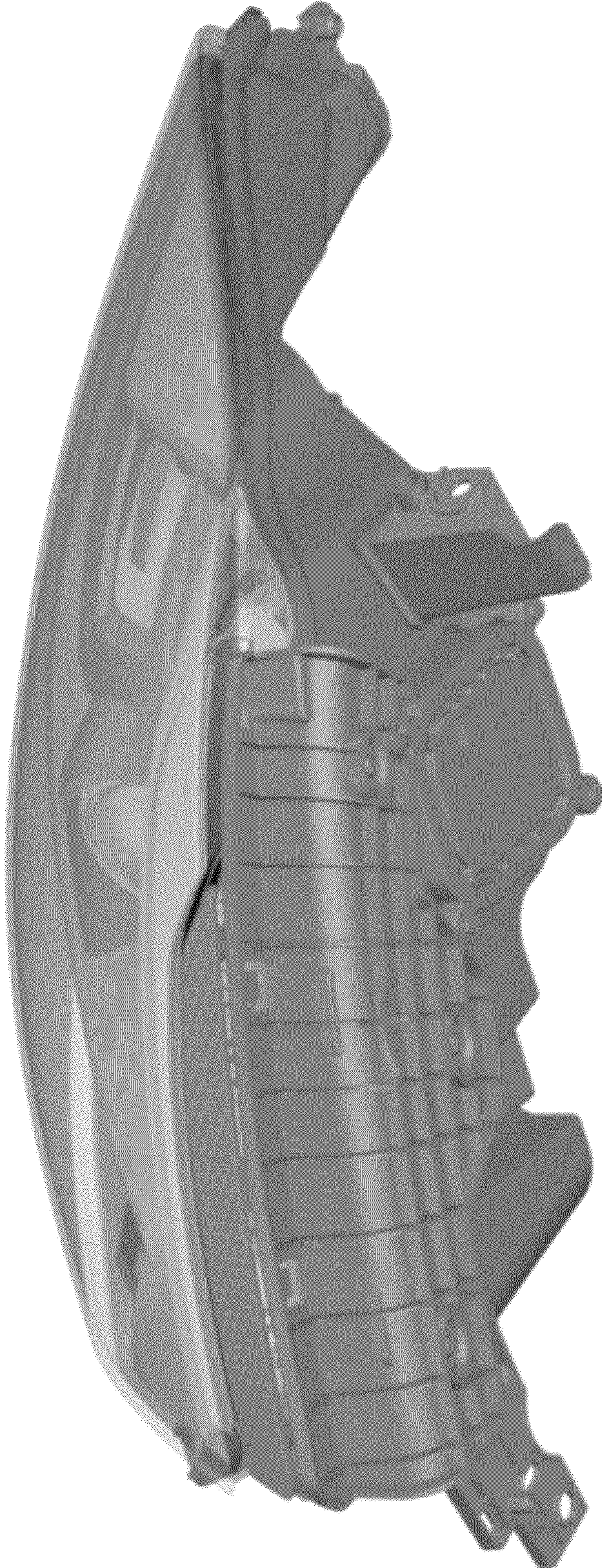


Figure 7